

# EM033C08

## Low Power 32Kx8 SRAM in a 32 pin ROM Pinout Compatible Package

### Overview

The EM033C08 is an integrated memory device containing a low power 256 Kbit Static Random Access Memory organized as 32,768 words by 8 bits. The device is fabricated using an advanced CMOS process and NanoAmp's high-speed/low-power circuit technology. This device is designed to be quite effective in battery powered products with it's very low operating and standby currents. It is also capable of full operation at voltages as low as 1.5 volts. The device pinout is fully compatible with NanoAmp's EM02R2XX family of Combination RAM and ROM products making it very easy to substitute an SRAM only device where the ROM is unnecessary in the application. This device is extremely stable over broad temperature and voltage ranges.

### Features

- **Extended Operating Voltage Range**  
1.5 to 3.6 V
- **Very Low Standby Voltage**  
1.2 V
- **Extended Temperature Range**  
-20° to +80°C
- **Fast Cycle Time**  
100 ns (@ 2.7V)
- **Very Low Operating Current**  
 $I_{CC} < 1$  mA typical at 3V, 1 Mhz
- **Very Low Standby Current**  
 $I_{SB} = 100$  nA typical
- **Available in 32-pin STSOP or TSOP package**

FIGURE 1: Pin Configuration

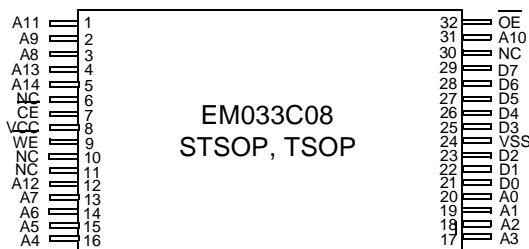
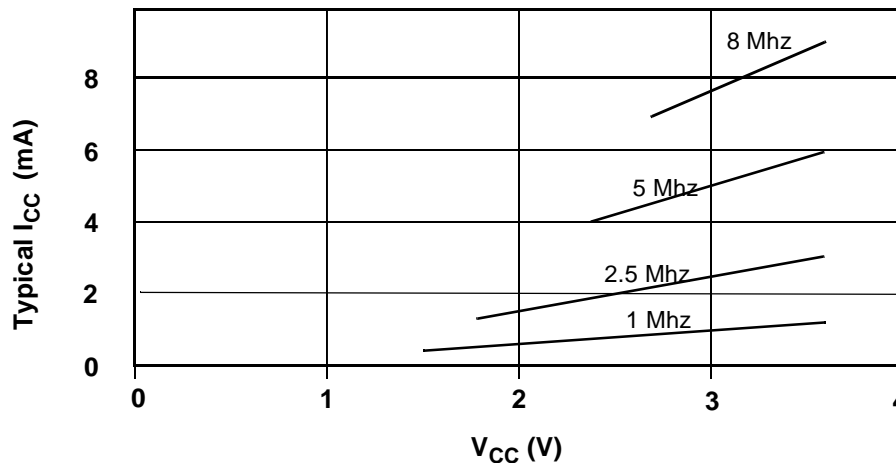


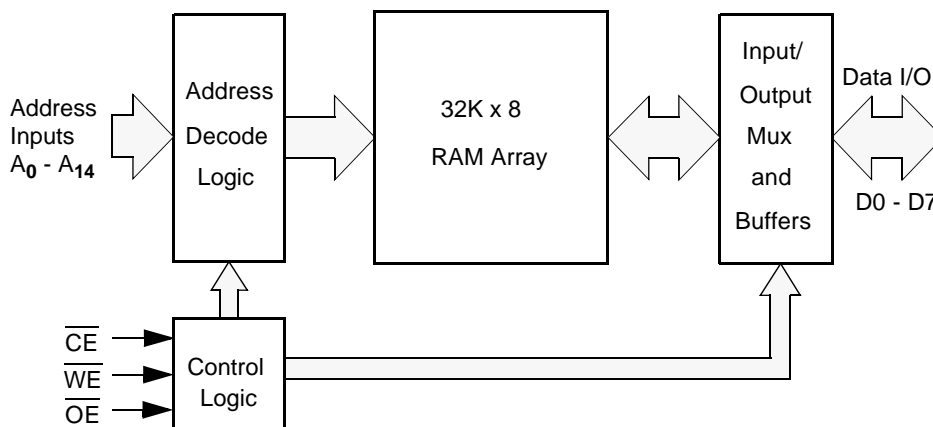
TABLE 1: Pin Descriptions

Pin Name	Pin Function
A0-A14	Address Inputs
D0-D7	Data Inputs/Outputs
CE	Chip Enable (Active Low)
OE	Output Enable (Active Low)
WE	Write Enable (Active Low)
V <sub>CC</sub>	Power
V <sub>SS</sub>	Ground
NC	Not Connected (Floating)

FIGURE 2: Operating Envelope



**FIGURE 3: Functional Block Diagram**



**FIGURE 4: Functional Description**

$\overline{CE}$	$\overline{WE}$	$\overline{OE}$	D0-D7	MODE	POWER
H	X	X	High Z	Standby	Standby
L	H	H	High Z	Standby	Standby*
L	H	L	Data Out	READ	Active -> Standby*
L	L	X	Data In	WRITE	Active -> Standby*

\*The device will consume active power in this mode whenever addresses are changed

**TABLE 2: Absolute Maximum Ratings\***

Item	Symbol	Rating	Unit
Voltage on any pin relative to $V_{SS}$	$V_{IN,OUT}$	-0.3 to $V_{CC}+0.3$	V
Voltage on $V_{CC}$ Supply Relative to $V_{SS}$	$V_{CC}$	-0.3 to 4.6	V
Power Dissipation	$P_D$	500	mW
Storage Temperature	$T_{STG}$	-40 to +125	°C
Operating Temperature - Extended Commercial	$T_A$	-20 to +80	°C

\*Stresses greater than those listed above may cause permanent damage to the device. This is a stress rating only and functional operation of the device at these or any other conditions above those indicated in the operating section of this specification is not implied. Exposure to absolute maximum rating conditions for extended periods may affect reliability.

**TABLE 3: Operating Characteristics (Over specified temperature range)**

Item	Symbol	Test Conditions	Min.	Max.	Unit
Supply Voltage	$V_{CC}$		1.5	3.6	V
Data Retention Voltage	$V_{DR}$	$\overline{CE} = V_{CC}$	1.2	3.6	V
Input High Voltage	$V_{IH}$		$0.7V_{CC}$	$V_{CC}+0.3$	V
Input Low Voltage	$V_{IL}$		-0.3	$0.3V_{CC}$	V
Output High Voltage	$V_{OH}$	$I_{OH} = 200 \mu A$	$V_{CC}-0.2$		V
Output Low Voltage	$V_{OL}$	$I_{OL} = -200 \mu A$		0.2	V
Input Leakage Current	$I_{LI}$	$V_{IN} = 0 \text{ to } V_{CC}$		1	$\mu A$
Output Leakage Current	$I_{LO}$	$\overline{OE} = V_{IH} \text{ or } \overline{CE} = 1$		1	$\mu A$
Operating Supply Current (Note 1)	$I_{CC}$	$V_{IN} = V_{CC} \text{ or } 0V, \overline{CE} = 0$		$0.3 * f * V$	mA
Standby Current (Note 2)	$I_{SB}$	$V_{IN} = V_{CC} \text{ or } 0V$		10	$\mu A$

Notes:

Note 1. Operating current is a linear function of frequency and voltage. You may calculate operating current using the formula shown with operating frequency (f) expressed in Mhz and operating voltage (V) in volts. Example: Operating at 2 Mhz and 2.0 volts will draw a maximum current of  $0.3*2*2 = 1.2$  mA.

Note 2. This device assumes a standby mode whenever Chip Enable ( $\overline{CE}$ ) is disabled (high). It will also automatically go into a standby mode whenever all input signals are quiescent (not toggling) whenever an access or write cycle is completed regardless of the state  $\overline{CE}$ . In order to achieve low standby current all input levels must be within 0.2 volts of either  $V_{CC}$  or GND.

**TABLE 4: Capacitance\***

Item	Symbol	Test Condition	Min	Max	Unit
Input Capacitance	$C_{IN}$	$V_{IN} = 0V, f = 1 \text{ Mhz}, T_A = 25^\circ C$		5	pF
I/O Capacitance	$C_{I/O}$	$V_{IN} = 0V, f = 1 \text{ Mhz}, T_A = 25^\circ C$		5	pF

Note: These parameters are verified in device characterization and are not 100% tested

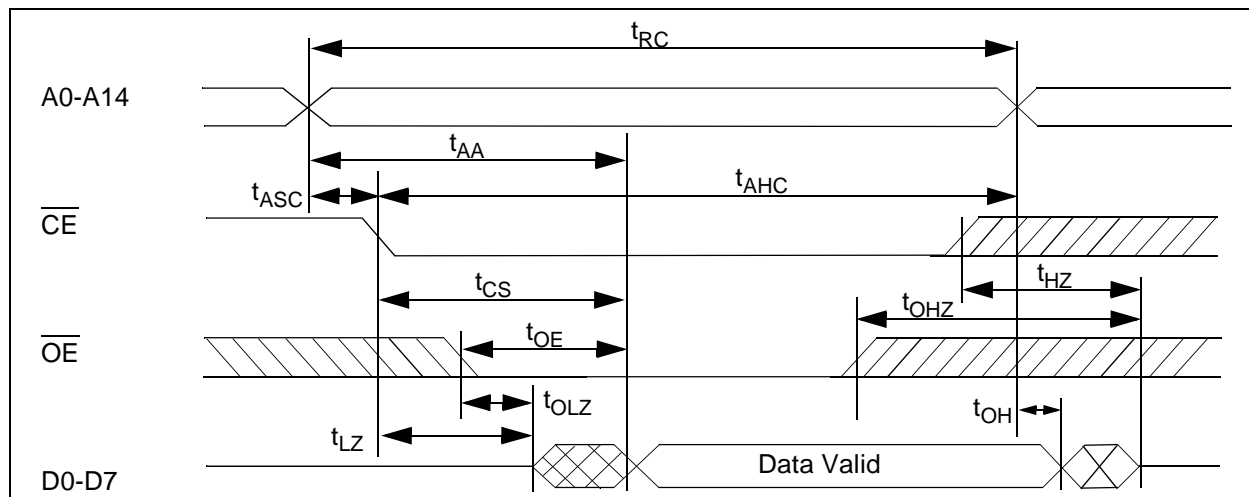
**TABLE 5: Timing Test Conditions**

Item	
Input Pulse Level	$0.1V_{CC} \text{ to } 0.9 V_{CC}$
Input Rise and Fall Time	5ns
Input and Output Timing Reference Levels	$0.5V_{CC}$
Output Load	CL = 30pF
Operating Temperature (Unless otherwise stated)	-20 to +80 °C

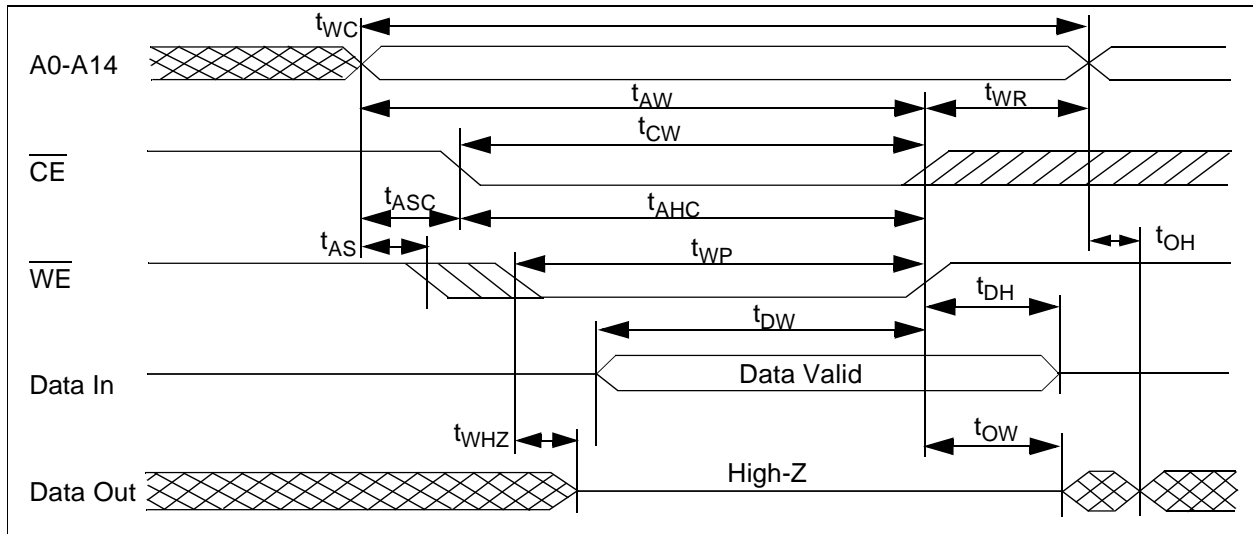
**TABLE 6: Timing**

Item	Symbol	Min/Max	1.5V	1.8V	2.4V	2.7-3.6V	Units
Read Cycle Time	$t_{RC}$	Min	750	250	150	100	ns
Address-Chip Enable Setup Time	$t_{ASC}$	Min	-80	-40	-30	-20	ns
Address-Chip Enable Hold Time	$t_{AHC}$	Min	600	200	120	75	ns
Address Access Time	$t_{AA}$	Max	750	250	150	100	ns
Chip Enable Access Time	$t_{CE}$	Max	750	250	150	100	ns
Output Enable to Valid Output	$t_{OE}$	Max	250	70	50	30	ns
Chip Enable to Low-Z output	$t_{LZ}$	Min	0	0	0	0	ns
Output Enable to Low-Z Output	$t_{OLZ}$	Min	0	0	0	0	ns
Chip Enable to High-Z Output	$t_{HZ}$	Min	0	0	0	0	ns
		Max	100	50	40	25	
Output Disable to High-Z Output	$t_{OHZ}$	Min	0	0	0	0	ns
		Max	100	50	40	25	
Output Hold from Address Change	$t_{OH}$	Min	40	20	15	10	ns
Write Cycle Time	$t_{WC}$	Min	750	250	150	100	ns
Chip Enable to End of Write	$t_{CW}$	Min	750	250	150	100	ns
Address Valid to End of Write	$t_{AW}$	Min	750	250	150	100	ns
Address Set-Up Time	$t_{AS}$	Min	0	0	0	0	ns
Write Pulse Width	$t_{WP}$	Min	400	150	75	50	ns
Write Recovery Time	$t_{WR}$	Min	0	0	0	0	ns
Write to High-Z Output	$t_{WHZ}$	Min	0	0	0	0	ns
		Max	150	70	50	30	
Data to Write Time Overlap	$t_{DW}$	Min	400	150	75	50	ns
Data Hold from Write Time	$t_{DH}$	Min	75	35	20	15	ns
End Write to Low-Z Output	$t_{OW}$	Min	40	20	15	10	ns

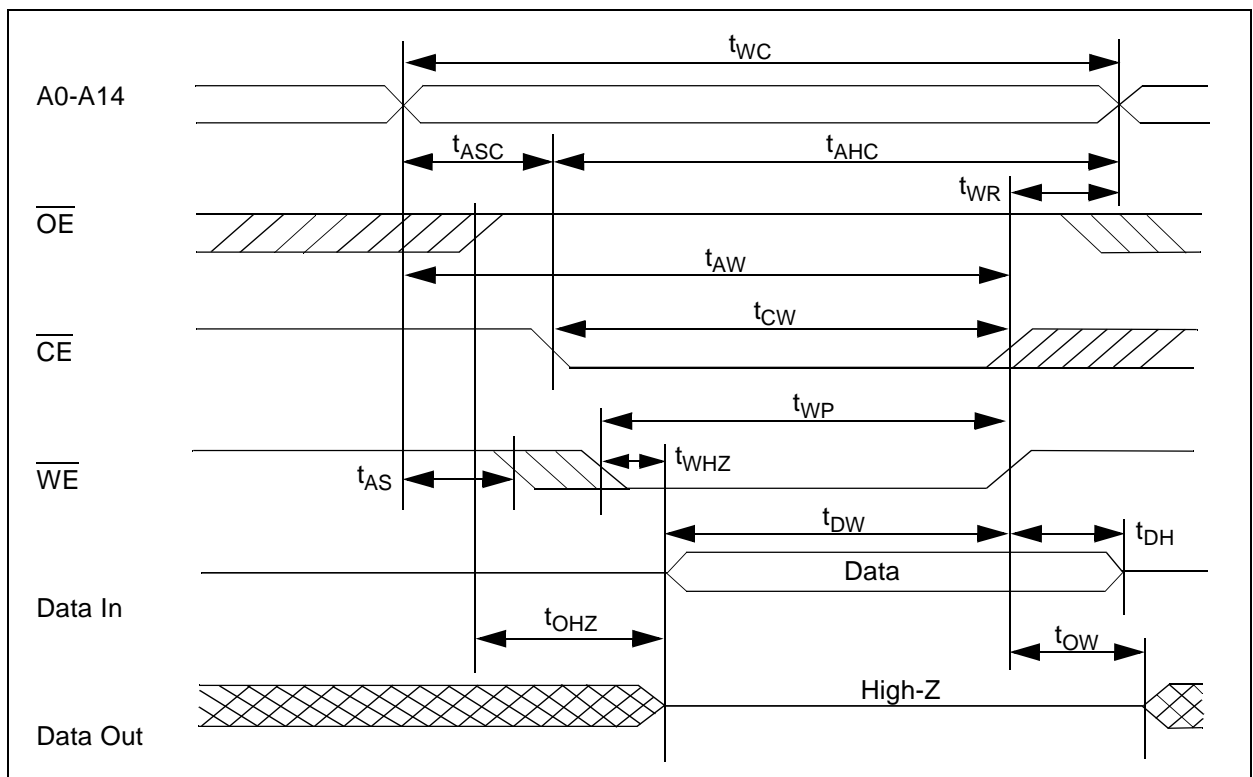
**FIGURE 5: Read Cycle Timing ( $\overline{WE} = V_{IH}$ )**



**FIGURE 6: Write Cycle Timing ( $\overline{OE}$  fixed)**



**FIGURE 7: Write Cycle Timing ( $\overline{OE}$  clock)**



**TABLE 7: Ordering Information**

Part Number*	Package	Temperature Range	Voltage Range	Speed (@ 2.7V+)
EM033C08N	32 pin STSOP	-20 to +80°C	1.5 to 3.6 V	100 ns
EM033C08T	32 pin TSOP	-20 to +80°C	1.5 to 3.6 V	100 ns

\* Please use this part number when ordering this product. This number will be marked on the device package.

**TABLE 8: Revision History**

Revision #	Date	Change Description
01	Dec. 1, 1998	Initial Release