
EM78815

**8 Bit
Microcontroller**

**Product
Specification**

DOC. VERSION 2.4

ELAN MICROELECTRONICS CORP.


February 2006



Trademark Acknowledgments:

IBM is a registered trademark and PS/2 is a trademark of IBM

Windows is a trademark of Microsoft Corporation

ELAN and ELAN logo  are trademarks of ELAN Microelectronics Corporation

Copyright © 2006 by ELAN Microelectronics Corporation

All Rights Reserved

Printed in Taiwan

The contents of this specification are subject to change without further notice. ELAN Microelectronics assumes no responsibility concerning the accuracy, adequacy, or completeness of this specification. ELAN Microelectronics makes no commitment to update, or to keep current the information and material contained in this specification. Such information and material may change to conform to each confirmed order.

In no event shall ELAN Microelectronics be made responsible for any claims attributed to errors, omissions, or other inaccuracies in the information or material contained in this specification. ELAN Microelectronics shall not be liable for direct, indirect, special incidental, or consequential damages arising from the use of such information or material.

The software (if any) described in this specification is furnished under a license or nondisclosure agreement, and may be used or copied only in accordance with the terms of such agreement.

ELAN Microelectronics products are not intended for use in life support appliances, devices, or systems. Use of ELAN Microelectronics product in such applications is not supported and is prohibited.

NO PART OF THIS SPECIFICATION MAY BE REPRODUCED OR TRANSMITTED IN ANY FORM OR BY ANY MEANS WITHOUT THE EXPRESSED WRITTEN PERMISSION OF ELAN MICROELECTRONICS.



ELAN MICROELECTRONICS CORPORATION

Headquarters:

No. 12, Innovation Road 1
Hsinchu Science Park
Hsinchu, Taiwan 30077
Tel: +886 3 563-9977
Fax: +886 3 563-9966
<http://www.emc.com.tw>

Hong Kong:

Elan (HK) Microelectronics Corporation, Ltd.
Rm. 1005B, 10/F Empire Centre
68 Mody Road, Tsimshatsui
Kowloon, HONG KONG
Tel: +852 2723-3376
Fax: +852 2723-7780
elanhk@emc.com.hk

USA:

Elan Information Technology Group (U.S.A.)
1821 Saratoga Ave., Suite 250
Saratoga, CA 95070
USA
Tel: +1 408 366-8225
Fax: +1 408 366-8220

Europe:

Elan Microelectronics Corp. (Europe)
Siewerdtstrasse 105
8050 Zurich, SWITZERLAND
Tel: +41 43 299-4060
Fax: +41 43 299-4079
<http://www.elan-europe.com>

Shenzhen:

Elan Microelectronics Shenzhen, Ltd.
SSMEC Bldg., 3F, Gaoxin S. Ave.
Shenzhen Hi-Tech Industrial Park
Shenzhen, Guangdong, CHINA
Tel: +86 755 2601-0565
Fax: +86 755 2601-0500

Shanghai:

Elan Microelectronics Shanghai, Ltd.
23/Bldg. #115 Lane 572, Bibo Road
Zhangjiang Hi-Tech Park
Shanghai, CHINA
Tel: +86 21 5080-3866
Fax: +86 21 5080-4600

Contents

1	General Description	1
2	Features	1
2.1	CPU	1
2.2	Serial Transmitter/Receiver Interface.....	2
2.3	Current D/A.....	2
2.4	Programmable Tone Generators.....	2
2.5	CID.....	2
2.6	Call Waiting.....	3
2.7	External LCD controller (64×256 dot max for a pair of Master and Slave LCD Driver)	3
2.8	Package Type	3
3	Application.....	3
4	Pin Configuration	4
5	Functional Block Diagram.....	6
6	Pin Descriptions.....	7
6.1	Power Pin.....	7
6.2	Clock Pin.....	7
6.3	External LCD Device Control Pin.....	7
6.4	FSK, CW	7
6.5	DTMF Receiver, OP	8
6.6	Serial IO, Comparator, Current DA, Tone.....	8
6.7	IO	8
6.8	Expand Program/Data ROM Interface	9
7	Function Description	11
7.1	Operational Register	11
7.2	Operational Register Detail Description	11
7.2.1	R0 Indirect Addressing Register.....	11
7.2.2	R1 Page 0 TCC Data Buffer.....	12
7.2.3	R1 Page 1 Interrupt Flag 1 Real Value	12
7.2.4	R1 Page 2 Interrupt Flag 2 Real Value	12
7.2.5	R1 Page 3 UART Receiver Data Buffer	13
7.2.6	R2 Program Counter	13
7.2.7	R3 Status Register	14
7.2.8	R4 RAM Select for Common Registers R20~R3F, UART Control Register	15
7.2.8.1	Page 0.....	15
7.2.8.2	Page 1 Undefined Register.....	15
7.2.9	Page 2 UART Control Register 1	15
7.2.10	Page 3 UART Control Register 2	16



7.2.11	R5 Program Page Selection, CNT CLK & Scale Setting, CNT1 Data (L)	20
7.2.11.1	Page 0 Program Page	20
7.2.11.2	Page 1 Counter 1 Counter 2 CLK and Scale Setting	20
7.2.11.3	Page 2 Counter 1 Low 8-bit Data Buffer	21
7.2.11.4	Page 3 DA Control	21
7.2.12	R6 Port 6 I/O Data, Data ROM Data Buffer, CNT1 Data (H), DA Control	22
7.2.12.1	Page 0 Port 6 I/O Data	22
7.2.12.2	Page 1 Data ROM Data Buffer	22
7.2.12.3	Page 2 Counter 1 High 8-bit Data Buffer	22
7.2.12.4	Page 3 DA Control	23
7.2.13	R7 Port 7 I/O Data, Data ROM Address, CNT2 Data, SPI Control	23
7.2.13.1	Page 0 Port 7 I/O Data	23
7.2.13.2	Page 1 Data ROM Address	23
7.2.13.3	Page 2 Counter 2 Data Buffer	24
7.2.13.4	Page 3 SPI Control Register	24
7.2.14	R8 Port 8 I/O Data, Data ROM Address, DTMF Receiver, SPI Data	28
7.2.14.1	Page 0 Port 8 I/O Data	28
7.2.14.2	Page 1 Data ROM address	28
7.2.14.3	Page 2 DTMF Receiver	29
7.2.14.4	Page 3 SPI Data Buffer	31
7.2.15	R9 Port 9 I/O Data, Data ROM Address, Keytone Control	31
7.2.15.1	Page 0 Port 9 I/O Data	31
7.2.15.2	Page 1 Data ROM Address	32
7.2.15.3	Page 2 FSK/CW/DTMF Power Select	32
7.2.15.4	Page 3 Keytone Control	32
7.2.16	RA CPU Power Saving, Main CLK Select, FSK, WDT Timer Comparator Control, Tone 1 Generator	33
7.2.16.1	Page 0 Power Saving, Main CLK Select, FSK, WDT Timer	33
7.2.16.2	Page 1 Undefined Register	37
7.2.16.3	Page 2 Comparator Control Register	37
7.2.16.4	Page 3 Tone 1 Control Register	39
7.2.17	RB Port B I/O Data, Key Strobe, Tone 2 Generator	40
7.2.17.1	Page 0 Port B I/O Data	40
7.2.17.2	Page 1 Undefined Register	40
7.2.17.3	Page 2 Key Strobe Control Register	40
7.2.17.4	Page 3 Tone 2 Control Register	40
7.2.18	RC Port C I/O Data, Data RAM Data Buffer, Tone 2 Generator	41
7.2.18.1	Page 0 Port C I/O Data	41
7.2.18.2	Page 1 Data RAM Data Buffer 1	41
7.2.18.3	Page 2 Key Strobe Control Register	41
7.2.18.4	Page 3 Undefined Register:	41

7.2.19	RD Port D I/O Data, Data RAM address	42
7.2.19.1	Page 0 Port D I/O Data, Data RAM Address	42
7.2.19.2	Page 1 Data RAM Address 1 (Low 8 Bits)	42
7.2.19.3	Page 2 Undefined Register	42
7.2.19.4	Page 3 Undefined Register	42
7.2.20	RE Interrupt Flag 1, Data RAM Address 1 (H) CAS, Key Scan	42
7.2.20.1	Page 0 Interrupt Flag 1	42
7.2.20.2	Page 1 Data RAM Address 1(H)	43
7.2.20.3	Page 2 CAS Detected Flag, Keyscan	43
7.2.20.4	Page 3 UART Transmitter Data Buffer	46
7.2.21	RF Interrupt flag	46
7.2.21.1	Page 1 External Data ROM	47
7.2.21.2	Page 2 External Data ROM	47
7.2.21.3	Page 3 Unused	47
7.2.22	R10~R3F (General Purpose Register)	47
7.3	Special Purpose Registers	47
7.3.1	A (Accumulator)	47
7.3.2	CONT (Control Register)	48
7.3.3	IOC5 Address Automatic Increase/Decrease Control, Data RAM Data Buffer 2	49
7.3.3.1	Page 0 Address Automatic Increase/Decrease Control Register	49
7.3.3.2	Page 1 Data RAM Data Buffer 2	50
7.3.4	IOC6 Port 6 I/O Control, Data RAM Address (L)	51
7.3.4.1	Page 0 Port 6 I/O Control	51
7.3.4.2	Page 1 Data RAM Address 2 (L)	51
7.3.5	IOC7 PORT 7 I/O Control, Data RAM Address 2 (H)	51
7.3.5.1	Page 0 Port 7 I/O Control	51
7.3.5.2	Page 1 Data RAM Address 2 (H)	51
7.3.6	IOC8 Port 8 I/O Control	52
7.3.6.1	Page 0 Port 8 I/O Control	52
7.3.6.2	Page 1 Undefined Register	52
7.3.7	IOC9 Port 9 I/O Control	52
7.3.7.1	Page 0 Port 9 I/O Control	52
7.3.7.2	Page 1 Undefined Register	52
7.3.8	IOCA Undefined Register	52
7.3.9	IOCB Port B I/O Control, External LCD Driver Interface (for EMC 65×132)	53
7.3.9.1	Page 0 Port B I/O Control	53
7.3.9.2	Page 1 External LCD Driver Controller	53
7.3.10	IOCC Port C I/O Control, Port 6 Pull-high Register	56
7.3.10.1	Page 0 Port C I/O Control	56
7.3.10.2	Page 1 Port 6 Pull-high Register	56
7.3.11	IOCD Port D I/O Control, Port 7 Pull-high Register	56
7.3.11.1	Page 0 Port D I/O Control	56
7.3.11.2	Page 1 Port 7 Pull-high Register	57



7.3.12 IOCE Interrupt Mask, Differential Energy Detect57
 7.3.12.1 Page 0 Interrupt Mask Register 1 57
 7.3.12.2 Page 1 Differential Energy Detect..... 57
 7.3.13 IOCF Interrupt Mask Register 258
 7.4 I/O Port.....59
 7.5 Reset.....60
 7.6 Wake-up.....61
 7.7 Interrupt.....61
 7.8 Instruction Set61
 7.9 Code Option Register63
 7.9.1 Code Option Register 1 (Program ROM)63
 7.10 Call Waiting Function Description64
 7.11 Differential Energy Detector (DED)65
8 Absolute Maximum Ratings 66
9 DC Electrical Characteristic 66
10 AC Electrical Characteristic 67
11 Timing Diagrams 71
12 Application Circuit 74

APPENDIX

A Application Note..... 75

Specification Revision History

Doc. Version	Revision Description	Date
1.0	Initial version	
1.1	Changed the FSK, DTMF and CW Power Control	2003/03/04
2.0	1. Removed the 256K byte data ROM 2. Removed the expand program/data memory interface 3. Embedded 1.2%, 2.0% and 5.5% CAS frequency range deviation	
2.1	1. Added 256K byte data ROM 2. Added expand program/data memory interface 3. Removed 1.2% CAS frequency range deviation 4. Removed UART function	
2.2	Modified the Current DA resolution from 7 bit to 10 bit	2003/08/19
2.3	Added UART function	2003/10/08
2.4	1. Removed Idle mode 2. Added application note item 7	2006/02/17

1 General Description

The EM78815 is an 8-bit CID (Call Identification) RISC type microprocessor with low power, high speed CMOS technology. Integrated onto a single chip are on chip watchdog (WDT), programmable real time clock/counter, external/internal interrupt, power down mode, EMC65132 LCD controller, FSK decoder, Call waiting decoder, Energy Detector (DED) , DTMF receiver, Programming Tone generator, build-in Keytone clock generation, Comparator and tri-state I/O. The EM78815 provides a single chip solution to design a CID of calling message display.

2 Features

2.1 CPU

- Operating voltage range: 2.2V~3.6V(Normal mode), 2.0V~3.6V(Green mode)
- 64K×13 on-chip Program ROM, supports a max. of 128K word program
- 256K×8 on-chip data ROM, supports a max. of 2M byte data
- 4K×8 data RAM
- 128×8 common register
- Up to 56 bidirectional tri-state I/O ports
- IO with internal Pull high, wake-up and interrupt functions
- Stack: 24-level stack for subroutine nesting
- TCC: 8-bit real time clock/counter (TCC) with 8-bit prescaler
- Counter 1: 16 bit counter with 8-bit prescaler can be an interrupt source
- Counter 2: 8-bit counter with 8-bit prescaler can be an interrupt source
- Watchdog: Programmable free running on-chip watchdog timer
- CPU modes:

Mode	CPU Status	Main Clock	32.768kHz Clock Status
Sleep mode	Turn off	Turn off	Turn off
Green mode	Turn on	Turn off	Turn on
Normal mode	Turn on	Turn on	Turn on

- 15 interrupt source: 8 external, 7 internal
- Key Scan: Port key scan function up to 16×4 keys
- Sub-Clock: 32.768kHz crystal
- Main-clock: 3.5862MHz multiplied by 0.5, 1, 1.5 or 3 generated by internal PLL
- Keytone output: 4kHz, 2kHz, 1kHz (shared with IO)
- Comparator: 3-channel comparators, internal (16 level) or external reference voltage (shared with IO)

2.2 Serial Transmitter/Receiver Interface

- Serial Peripheral Interface (SPI): Interrupt flag available for the read buffer full, Programmable baud rates of communication, Three-wire synchronous communication (shared with IO)
- Universal asynchronous receiver transmitter interface. User can select (7/8/9 bits) with/without parity bit, Baud rate setting and error detection function. Interrupt available for RX buffer full or TX buffer empty. Two wire asynchronous communication (shared with IO)

2.3 Current D/A

- Operating Voltage: 2.5V~3.6V
- 10-bit resolution and 3-bit output level control
- Current DA output can drive the speaker through a transistor for sound playing. (shared with IO)

2.4 Programmable Tone Generators

- Operating Voltage: 2.2V~3.6V
- Programmable Tone 1 and Tone 2 generators
- Independent single tone generation for Tone 1 and Tone 2
- Mixed dual tone generation by Tone 1 and Tone 2 with 2dB difference
- Can be programmed for DTMF tone generation
- Can be programmed for FSK signal (Bell202 or V.23) generation

2.5 CID

- Operating Voltage: 2.4V~3.6V for FSK
- Operating Voltage: 2.4V~3.6V for DTMF receiver
- Compatible with Bellcore GR-30-Core (formerly as TR-NWT-000030)
- Compatible with British Telecom (BT) SIN227 & SIN242
- FSK demodulator for Bell 202 and ITU-T V.23 (formerly as CCITT V.23)
- Differential Energy Detector (DED) for line energy detection

2.6 Call Waiting

- Operating Voltage: 2.4V~3.6V
- Compatible with Bellcore special report SR-TSV-002476
- Call-Waiting (2130Hz plus 2750Hz) Alert Signal Detector
- Good talk-down and talk-off performance
- Sensitivity compensated by adjusting input OP gain

2.7 External LCD controller (64 × 256 dot max for a pair of Master and Slave LCD Driver)

- Multi-chip operation (Master, Slave) available for external LCD device

2.8 Package Type

- 105-pin Chip: EM78815H
- 128-pin QFP: (EM78815AQ, POVD disable) (EM78815BQ, POVD enable)

3 Application

- SMS phone
- Feature phones



CS	97	96	WR
EXA0	98	95	RD
NC	99	94	EXD7
NC	100	93	EXD6
NC	101	92	EXD5
NC	102	91	EXD4
NC	103	90	EXD3
NC	104	89	EXD2
NC	105	88	EXD1
EXA1	106	87	EXD0
EXA2	107	86	P80
EXA3	108	85	P81
EXA4	109	84	P82
EXA5	110	83	P83
EXA6	111	82	P84
EXA7	112	81	P85
EXA8	113	80	P86
EXA9	114	79	P87
EXA10	115	78	P90
EXA11	116	77	P91
EXA12	117	76	P92
EXA13	118	75	P93
EXA14	119	74	P94
EXA15	120	73	P95
EXA16	121	72	P96
EXA17	122	71	P97
EXA18	123	70	PB0/LD0
EXA19	124	69	PB1/LD1
EXA20	125	68	PB2/LD2
AVDD	126	67	NC
PLLC	127	66	NC
TP	128	65	NC
NC	1	96	WR
NC	2	95	RD
NC	3	94	EXD7
RING	4	93	EXD6
CWGS	5	92	EXD5
CWIN	6	91	EXD4
EGIN1	7	90	EXD3
EGIN2	8	89	EXD2
AVSS	9	88	EXD1
P60/STGT	10	87	EXD0
P61/EST	11	86	P80
P62	12	85	P81
P63	13	84	P82
P64	14	83	P83
P65CMP1	15	82	P84
P66/CMP2	16	81	P85
P67/CMP3	17	80	P86
PD0	18	79	P87
PD1	19	78	P90
PD2	20	77	P91
PD3	21	76	P92
PD4/SCK	22	75	P93
PD5/SDO	23	74	P94
PD6/SDI	24	73	P95
PD7/DAOUT	25	72	P96
VDD	26	71	P97
VDD	27	70	PB0/LD0
XIN	28	69	PB1/LD1
XOUT	29	68	PB2/LD2
/RESET	30	67	NC
NC	31	66	NC
NC	32	65	NC
NC	33	64	NC
NC	34	63	NC
NC	35	62	NC
NC	36	61	NC
NC	37	60	NC
NC	38	59	NC
0/LN0	39	58	NC
1/LN1	40	57	NC
2/LN2	41	56	NC
3/LN3	42	55	NC
4/LN4	43	54	NC
5/LN5	44	53	NC
6/LN6	45	52	NC
7/LN7	46	51	NC
8/LN8	47	50	NC
9/LN9	48	49	NC
10/LN10	49	48	NC
11/LN11	50	47	NC
12/LN12	51	46	NC
13/LN13	52	45	NC
14/LN14	53	44	NC
15/LN15	54	43	NC
16/LN16	55	42	NC
17/LN17	56	41	NC
18/LN18	57	40	NC
19/LN19	58	39	NC
20/LN20	59	38	NC
21/LN21	60	37	NC
22/LN22	61	36	NC
23/LN23	62	35	NC
24/LN24	63	34	NC
25/LN25	64	33	NC
26/LN26	65	32	NC
27/LN27	66	31	NC
28/LN28	67	30	NC
29/LN29	68	29	NC
30/LN30	69	28	NC
31/LN31	70	27	NC
32/LN32	71	26	NC
33/LN33	72	25	NC
34/LN34	73	24	NC
35/LN35	74	23	NC
36/LN36	75	22	NC
37/LN37	76	21	NC
38/LN38	77	20	NC
39/LN39	78	19	NC
40/LN40	79	18	NC
41/LN41	80	17	NC
42/LN42	81	16	NC
43/LN43	82	15	NC
44/LN44	83	14	NC
45/LN45	84	13	NC
46/LN46	85	12	NC
47/LN47	86	11	NC
48/LN48	87	10	NC
49/LN49	88	9	NC
50/LN50	89	8	NC
51/LN51	90	7	NC
52/LN52	91	6	NC
53/LN53	92	5	NC
54/LN54	93	4	NC
55/LN55	94	3	NC
56/LN56	95	2	NC
57/LN57	96	1	NC
58/LN58	97	0	NC
59/LN59	98	99	NC
60/LN60	99	100	NC
61/LN61	100	101	NC
62/LN62	101	102	NC
63/LN63	102	103	NC
64/LN64	103	104	NC
65/LN65	104	105	EXA1
66/LN66	105	106	EXA2
67/LN67	106	107	EXA3
68/LN68	107	108	EXA4
69/LN69	108	109	EXA5
70/LN70	109	110	EXA6
71/LN71	110	111	EXA7
72/LN72	111	112	EXA8
73/LN73	112	113	EXA9
74/LN74	113	114	EXA10
75/LN75	114	115	EXA11
76/LN76	115	116	EXA12
77/LN77	116	117	EXA13
78/LN78	117	118	EXA14
79/LN79	118	119	EXA15
80/LN80	119	120	EXA16
81/LN81	120	121	EXA17
82/LN82	121	122	EXA18
83/LN83	122	123	EXA19
84/LN84	123	124	EXA20
85/LN85	124	125	AVDD
86/LN86	125	126	PLLC
87/LN87	126	127	TP
88/LN88	127	128	TP
89/LN89	128	129	NC
90/LN90	129	130	NC
91/LN91	130	131	NC
92/LN92	131	132	NC
93/LN93	132	133	NC
94/LN94	133	134	NC
95/LN95	134	135	NC
96/LN96	135	136	NC
97/LN97	136	137	NC
98/LN98	137	138	NC
99/LN99	138	139	NC
100/LN100	139	140	NC
101/LN101	140	141	NC
102/LN102	141	142	NC
103/LN103	142	143	NC
104/LN104	143	144	NC
105/LN105	144	145	NC
106/LN106	145	146	NC
107/LN107	146	147	NC
108/LN108	147	148	NC
109/LN109	148	149	NC
110/LN110	149	150	NC
111/LN111	150	151	NC
112/LN112	151	152	NC
113/LN113	152	153	NC
114/LN114	153	154	NC
115/LN115	154	155	NC
116/LN116	155	156	NC
117/LN117	156	157	NC
118/LN118	157	158	NC
119/LN119	158	159	NC
120/LN120	159	160	NC
121/LN121	160	161	NC
122/LN122	161	162	NC
123/LN123	162	163	NC
124/LN124	163	164	NC
125/LN125	164	165	NC
126/LN126	165	166	NC
127/LN127	166	167	NC
128/LN128	167	168	NC
129/LN129	168	169	NC
130/LN130	169	170	NC
131/LN131	170	171	NC
132/LN132	171	172	NC
133/LN133	172	173	NC
134/LN134	173	174	NC
135/LN135	174	175	NC
136/LN136	175	176	NC
137/LN137	176	177	NC
138/LN138	177	178	NC
139/LN139	178	179	NC
140/LN140	179	180	NC
141/LN141	180	181	NC
142/LN142	181	182	NC
143/LN143	182	183	NC
144/LN144	183	184	NC
145/LN145	184	185	NC
146/LN146	185	186	NC
147/LN147	186	187	NC
148/LN148	187	188	NC
149/LN149	188	189	NC
150/LN150	189	190	NC
151/LN151	190	191	NC
152/LN152	191	192	NC
153/LN153	192	193	NC
154/LN154	193	194	NC
155/LN155	194	195	NC
156/LN156	195	196	NC
157/LN157	196	197	NC
158/LN158	197	198	NC
159/LN159	198	199	NC
160/LN160	199	200	NC
161/LN161	200	201	NC
162/LN162	201	202	NC
163/LN163	202	203	NC
164/LN164	203	204	NC
165/LN165	204	205	NC
166/LN166	205	206	NC
167/LN167	206	207	NC
168/LN168	207	208	NC
169/LN169	208	209	NC
170/LN170	209	210	NC
171/LN171	210	211	NC
172/LN172	211	212	NC
173/LN173	212	213	NC
174/LN174	213	214	NC
175/LN175	214	215	NC
176/LN176	215	216	NC
177/LN177	216	217	NC
178/LN178	217	218	NC
179/LN179	218	219	NC
180/LN180	219	220	NC
181/LN181	220	221	NC
182/LN182	221	222	NC
183/LN183	222	223	NC
184/LN184	223	224	NC
185/LN185	224	225	NC
186/LN186	225	226	NC
187/LN187	226	227	NC
188/LN188	227	228	NC
189/LN189	228	229	NC
190/LN190	229	230	NC
191/LN191	230	231	NC
192/LN192	231	232	NC
193/LN193	232	233	NC
194/LN194	233	234	NC
195/LN195	234	235	NC
196/LN196	235	236	NC
197/LN197	236	237	NC
198/LN198	237	238	NC
199/LN199	238	239	NC
200/LN200	239	240	NC

Fig. 1b 128-pin QFP Assignment

5 Functional Block Diagram

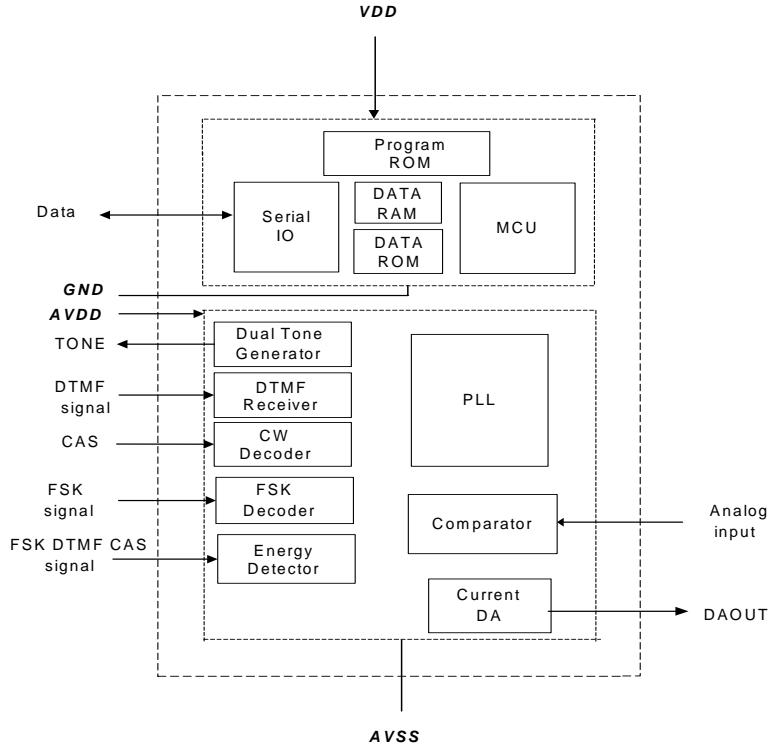


Fig. 2 Block Diagram 1

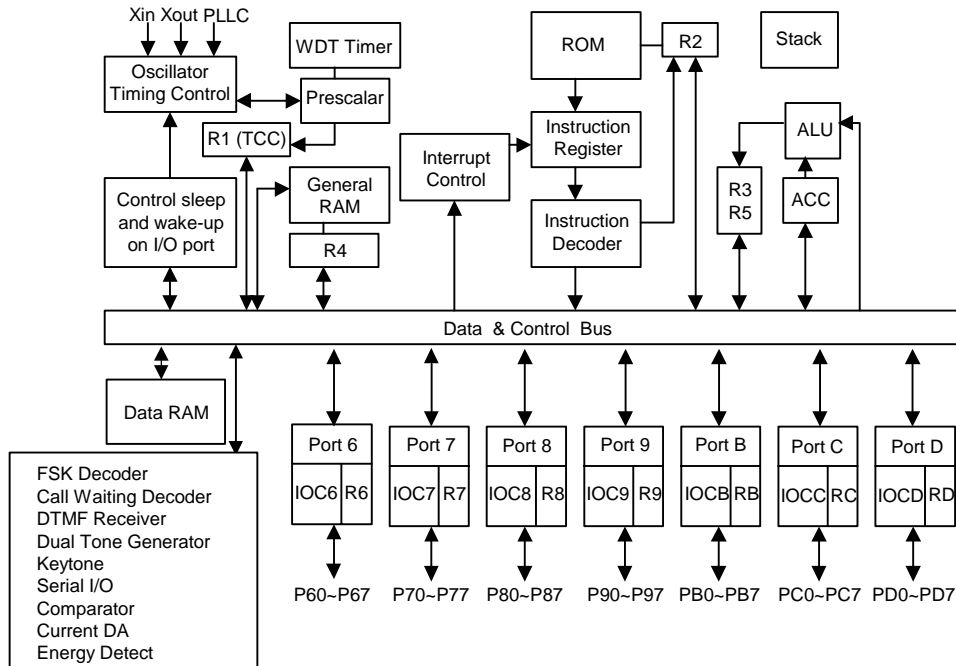


Fig. 3 Block Diagram 2

6 Pin Descriptions

6.1 Power Pin

Pin	I/O	Description
VDD	Power	Digital Power
AVDD	Power	Analog Power
GND	Power	Digital Ground
AVSS	Power	Analog Ground

6.2 Clock Pin

Pin	I/O	Description
XIN	I	Input pin for 32.768 kHz oscillator
XOUT	O	Output pin for 32.768 kHz oscillator
PLLC	I	Phase lock loop capacitor, connect a 0.01 μ capacitor to 0.047 μ with GND.

6.3 External LCD Device Control Pin

Pin	I/O	Description
LCDD0~LCDD7	I/O	External LCD driver data bus. This is pin-shared with Port B0~Port B7.
/WR	O	Write enable output (active low signal). This is pin-shared with Port C2.
/RD	O	Read enable output (active low signal). This is pin-shared with Port C3.
A0	O	Used as register selection. When A0 is equal to 1, the data bus transmits LCD Data. When A0 is equal to 0, the data bus transmits LCD Address. This is pin-shared with Port C4.
/CS1 ~ /CS2	O	Chip Select signal output. This is pin-shared with Port C1~Port C0

6.4 FSK, CW

Pin	I/O	Description
TIP	I	Should be connected to the TIP side of the twisted pair lines for FSK.
RING	I	Should be connected to the RING side of the twisted pair lines for FSK.
CWGS	O	Gain adjustment of single-ended input OP Amp.
CWIN	I	Single-ended input OP Amp for call waiting decoder.

6.5 DTMF Receiver, OP

Pin	I/O	Description
EST	O	Early steering output. Presents a logic high immediately when the digital algorithm detects a recognizable tone-pair (signal condition). Any momentary loss of signal condition will cause the EST to return to a logic low. This is pin-shared with Port 61.
STGT	I/O	Steering input/guard time output (bi-directional). A voltage greater than V_{tst} detected at ST causes the device to register the detected tone-pair and update the output latch. A voltage less than V_{tst} frees the device to accept a new tone-pair. The GT output acts to reset the external steering time-constant; its state is a function of EST and the voltage on ST. This is pin-shared with Port 60.

6.6 Serial IO, Comparator, Current DA, Tone

Pin	I/O	Description
SCK	I/O	Master: output pin, Slave: input pin. This is pin-shared with Port D4.
SDO	O	Output pin for serial data transferring. This is pin-shared with Port D5.
SDI	I	Input pin for receiving data. This is pin-shared with Port D6.
UR	I	Data receiver pin for UART. This pin shared with Port D2
UT	O	Data transmitter pin for UART. This is pin-shared with Port D3.
CMP1	I	Comparator input pins. This is pin-shared with Port 65.
CMP2	I	Comparator input pins. This is pin-shared with Port 66
CMP3	I	Comparator input pins. This is pin-shared with Port 67.
DAOUT	O	Current DA output pin. It can be a control signal for sound generation. This is pin-shared with Port D7.
KTONE	O	Key tone output. This is pin-shared with Port 76.
TONE	O	Dual tone output pin

6.7 IO

Pin	I/O	Description
P60 ~P67	I/O	Each bit in Port 6 can be Input or Output port. Internal pull high.
P70 ~ P77	I/O	Each bit in Port 7 can be Input or Output port. Internal Pull high function, Auto key scan function, and Interrupt function.
P80 ~ P87	I/O	Each bit in Port 8 can be Input or Output port.
P90 ~ P97	I/O	Each bit in Port 9 can be Input or Output port.
PB0 ~ PB7	I/O	Each bit in Port B can be Input or Output port.
PC0 ~ PC7	I/O	Each bit in Port C can be Input or Output port.
PD0 ~ PD7	I/O	Each bit in Port D can be Input or Output port. This is pin-shared with SPI pin and CMP input pin.
P70 ~ P76	I	Interrupt sources. When any pin from Port 70 to Port 76 has a falling edge signal, it will generate a corresponding interrupt.
P77	I	Interrupt source. Once Port 77 has a falling edge or rising edge signal (controlled by CONT register), it will generate an interrupt.
/RESET	I	Low reset

6.8 Expand Program/Data ROM Interface

Pin	I/O	Description
EXD0 ~ EXD7	I/O	Expand Program/Data memory Data Bus
/RD	O	Expand Program/Data memory Read request output
/WR	O	Expand Program/Data memory Write request output
/CS	O	Expand Program/Data memory CS request output
EX0~EXA20	O	Expand Program/Data memory Address Bus
EXSEL	I	0/1 → Internal 64K Program ROM used/unused

EXSEL pin : **0/1** → On-chip program ROM used/unused switch.

The EM78815 supports a max. of 128K Program. User can support program for both 64K EM78815 on-chip ROM and 64K expanded ROM. User can also ignore the 64K EM78815 on-chip ROM and support all programs for an external 128K ROM. Using this function, user can easily upgrade programs or download new functions.

The EM78815 provides Data ROM expanded function. When user access data of which address is over 256K, the external ROM will be loaded. User must set the expanded start address of the Data ROM to RF Page 1, Page 2 and IOCB Page 1. A diagram of the expanded function is shown below.

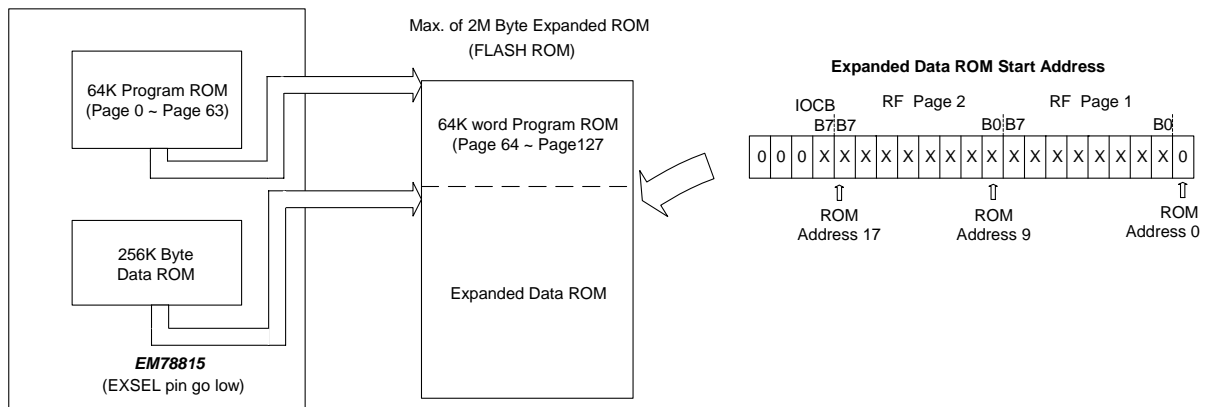


Fig. 4a EXSEL = 0, Both Internal and External Programs are Used

7 Function Description

7.1 Operational Register

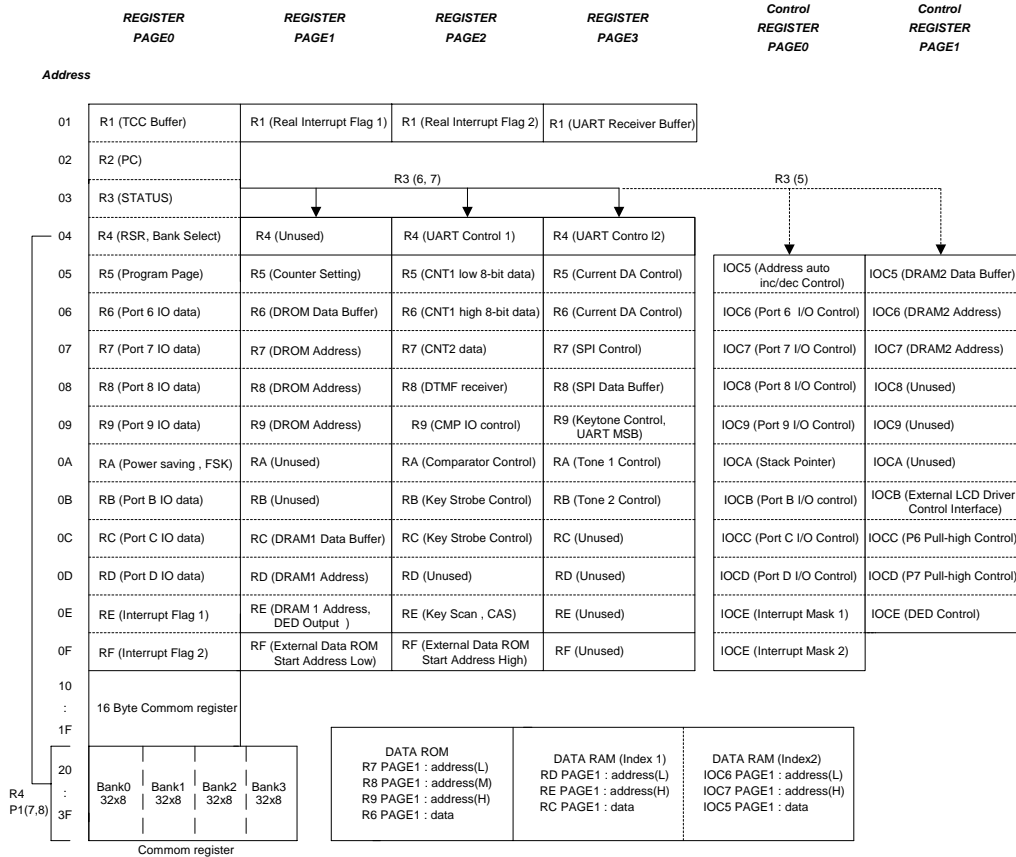


Fig. 5 Control Register Configuration

7.2 Operational Register Detail Description

7.2.1 R0 Indirect Addressing Register

R0 is not a physically implemented register. It is provided as an indirect addressing pointer. Any instruction using R0 as register actually accesses data pointed to by the RAM Select Register (R4).

Example:

```

mov    A , @0x20      ;store an address at R4 for indirect
                    ;addressing
mov    0x04 , A
mov    A , @0xAA      ;write data 0xAA to R20 at Bank 0
                    ;through R0
mov    0x00 , A

```

7.2.2 R1 Page 0 TCC Data Buffer

This is increased by 16.38 kHz or by the instruction cycle clock (controlled by CONT register). Written and read by the program as any other register.

7.2.3 R1 Page 1 Interrupt Flag 1 Real Value

Bit 7	Bit 6	Bit 5	Bit 4	Bit 3	Bit 2	Bit 1	Bit 0
INTR7	INTR6	INTR5	INTR4	INTR3	INTR2	INTR1	INTR0
R/W-0	R/W-0	R/W-0	R/W-0	R/W-0	R/W-0	R/W-0	R/W-0

Bit 0~Bit 7(INTR0~INTR7) : Interrupt Flag 1 real value. User can clear this page from 1 to 0 but cannot set this register to 1. The relation of R1 Page1, RE Page 0 and IOCE Page 0 is shown in the figure. When user disables the interrupt mask, whether an interrupt occurs or not, the interrupt flag (RE Page 0) will appear “0”. Opposite of RE Page 0, R1 Page 1 will show real interrupt occur status regardless whether this interrupt mask is enabled or disabled. **User can clear the corresponding external interrupt flag in RE Page 0 or R1 Page 1.**

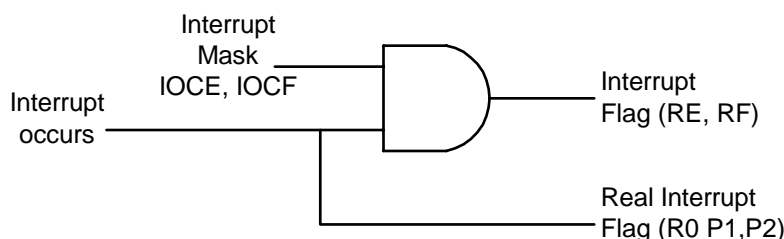


Fig. 6 Relationship between Interrupt Mask, Flag and Real Flag

7.2.4 R1 Page 2 Interrupt Flag 2 Real Value

Bit 7	Bit 6	Bit 5	Bit 4	Bit 3	Bit 2	Bit 1	Bit 0
RBF/STD	FSK/CW	-	UART	DED	CNT2	CNT1	TCC
R/W-0	R/W-0	R/W-0	R/W-0	R/W-0	R/W-0	R/W-0	R/W-0

Bit 0~Bit 7 (Internal Interrupt Flag Real Value) : Interrupt Flag 1 real value. User can clear this page from 1 to 0 but cannot set this register to 1. The relationship between R1 Page 2, RF Page 0 and IOCF Page 0 is shown in Fig. 6. When user disables an interrupt mask, whether an interrupt occurs or not, the interrupt flag (RF Page 0) will appear “0”. Opposite of RF Page 0, R1 Page 1 will show real interrupt occur status regardless whether this interrupt mask is enabled or disabled. **User can clear the corresponding interrupt flag in RF Page 0 or R1 Page 2.**

7.2.5 R1 Page 3 UART Receiver Data Buffer

Bit 7	Bit 6	Bit 5	Bit 4	Bit 3	Bit 2	Bit 1	Bit 0
URR7	URR6	URR5	URR4	URR3	URR2	URR1	URR0
R	R	R	R	R	R	R	R

Bit 0~Bit 7(URR0~URR7) : UART receiver low 8 bit data buffer. UART receiver data buffer is a read-only register.

7.2.6 R2 Program Counter

There are $128K \times 13$ External Program ROM addresses at the relative programming instruction codes. The structure is depicted on Fig. 5.

"JMP" instruction allows a direct loading of the low 10 program counter bits.

"CALL" instruction loads the low 10 bits of the PC, PC+1, and then pushed into the stack.

"RET" ("RETL k", "RETI") instruction loads the program counter with the contents at the top of stack.

"MOV R2,A" allows the loading of an address from the A register to the PC, and the ninth and tenth bits are cleared to "0".

"ADD R2,A" allows a relative address be added to the current PC, and contents of the ninth and tenth bits are cleared to "0".

"TBL" allows a relative address be added to the current PC, and contents of the ninth and tenth bits do not change. The most significant bit (A10~A14) will be loaded with the contents of bits PS0~PS3 in the status register (R5) upon the execution of a "JMP", "CALL", "ADD R2, A", or "MOV R2,A" instruction.

If there is an interrupt trigger, the Program ROM will jump to Address 8 at Page 0. The CPU will store ACC, R3 status and R5 Page automatically, it will restore after instruction RETI.

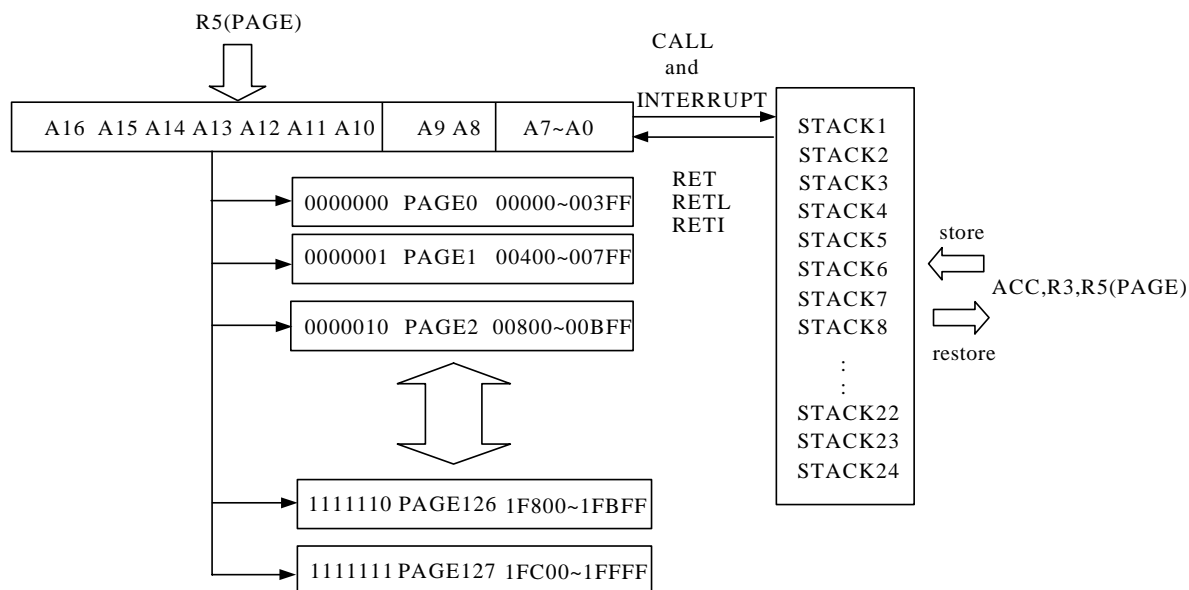


Fig. 7 Program Counter Organization

7.2.7 R3 Status Register

Bit 7	Bit 6	Bit 5	Bit 4	Bit 3	Bit 2	Bit 1	Bit 0
RS1	RS0	IOCS	T	P	Z	DC	C
R/W-0	R/W-0	R/W-0	R/W-X	R/W-X	R/W-X	R/W-X	R/W-X

Bit 0 (C) : Carry

Bit 1 (DC) : Auxiliary carry flag

Bit 2 (Z) : Zero flag

Bit 3 (P) : Power down bit

Set to 1 during power on or by a "WDTC" command and reset to 0 by a "SLEP" command.

Bit 4 (T) : Time-out bit

Set to 1 by the "SLEP" and "WDTC" command, or during power up and reset to 0 by WDT timeout.

Event	T	P	Remark
WDT wake up from sleep mode	0	0	
WDT time out (not sleep mode)	0	1	
/RESET wake up from sleep	1	0	
Power up	1	1	
Low pulse on /RESET	×	×	×: don't care

Bit 5 (IOCS) : IOC register select bit. Change IOC5 ~ IOCE to another page

Bit 6~Bir 7 (RS0 ~ RS1) : R register select bits. Change R1, R2, R4 ~ RE to another page.

RS1	RS0	R Page
0	0	Page 0
0	1	Page 1
1	0	Page 2
1	1	Page 3

7.2.8 R4 RAM Select for Common Registers R20~R3F, UART Control Register

7.2.8.1 Page 0

Bit 7	Bit 6	Bit 5	Bit 4	Bit 3	Bit 2	Bit 1	Bit 0
RBS1	RBS0	RSR5	RSR4	RSR3	RSR2	RSR1	RSR0
R/W-0	R/W-0	R/W-X	R/W-X	R/W-X	R/W-X	R/W-X	R/W-X

Bit 0 ~ Bit 5 (RSR0 ~ RSR5) : Indirect addressing for common registers R20 ~ R3F

RSR bits are used to select up to 32 registers (R20 to R3F) in indirect addressing mode.

Bit 6 ~ Bit 7 (RB0 ~ RB1) : Bank selection bits for common registers R20 ~ R3F

These selection bits are used to determine which bank is activated among the 4 banks of the 32 registers (R20 to R3F).

Refer to Fig. 4 Control Register Configuration for details.

7.2.8.2 Page 1 Undefined Register

This register is unimplemented, not for use.

7.2.9 Page 2 UART Control Register 1

Bit 7	Bit 6	Bit 5	Bit 4	Bit 3	Bit 2	Bit 1	Bit 0
TRS2	TRS1	TRS0	URM1	URM0	ERE	TXE	RXE

Bit 0 (RXE) : Enable UART receiving function & UART interrupt mask

1 → Enable

0 → Disable

Bit 1 (TXE) : Enable UART transmission function & UART interrupt mask

1 → Enable

0 → Disable

Bit 2 (ERE) : Enable UART receiver error interrupt mask

ERR	TXE	REX	RF Bit 4 (UART) Interrupt Trigger Event	I/O Status
×	0	0	UART interrupt disable	PD2→IO PD3→IO
0	0	1	UART read buffer full	PD2→UART receiver pin PD3→IO
1	0	1	UART read buffer full or Receiver Data Error	PD2→UART receiver pin PD3→IO
×	1	0	UART transmitter buffer empty	PD2→IO PD3→UART transmitter pin
0	1	1	UART read buffer full or UART transmitter buffer empty	PD2→UART receiver pin PD3→UART transmitter pin
1	1	1	UART read buffer full or UART transmitter buffer empty or Receiver Data Error	PD2→UART receiver pin PD3→UART transmitter pin

Bit 4~Bit 3 (URM1~URM0) : UART Mode Select

URM1	URM0	Mode Status
0	0	7 bit data
0	1	8 bit data
1	0	9 bit data
1	1	×

Bit 7~Bit 5 (TRS2~TRS0) : Baud Rate Select

TRS2	TRS1	TRS0	Baud Rate
0	0	0	600 baud
0	0	1	1200 baud
0	1	0	2400 baud
0	1	1	9600 baud
1	0	0	19200 baud
1	0	1	38400 baud
1	1	0	57600 baud
1	1	1	115200 baud

Note: 600 and 1200 baud rates can be run in green mode

7.2.10 Page 3 UART Control Register 2

Bit 7	Bit 6	Bit 5	Bit 4	Bit 3	Bit 2	Bit 1	Bit 0
–	EVEN	PRE	PRERR	OVERR	FMERR	UTBE	URBF
×	R/W-X	R/W-0	R/W-0	R/W-0	R/W-0	R	R

Bit 0 (URBF) : UART read buffer full flag . Set to 1 when one character is received.

Reset to 0 automatically when read from UART data buffer.

Bit 1 (UTBE) : UART transfer buffer empty flag. Set to 1 when transfer buffer is empty. Reset to 0 automatically when writing into the UART data buffer.

Bit 2 (FMERR) : Receiver error flag . Set to 1 when frame error occurs. Clear this bit to 0 by software.

Bit 3 (OVERR) : Receiver error flag . Set to 1 when over running error occurs. Clear this bit to 0 by software.

Bit 4 (PRERR) : Receiver error flag . Set to 1 when parity error occurs. Clear this bit to 0 by software.

Bit 5 (PRE) : Enable parity addition

1 → Enable

0 → Disable

Bit 6(EVEN) : EVEN/ODD parity check select

1 → Even parity

0 → Odd parity

In Universal Asynchronous Receiver Transmitter (UART), each transmitted or received character is individually synchronized by framing it with a start bit and stop bit.

The figure below shows the general format of one character sent or received. The communication channel is normally held in the mark state (high). Character transmission or reception starts with a transition to the space state (low).

The first bit transmitted or received is the start bit (low). It is followed by the data bits, in which the least significant bit (LSB) comes first. The data bits are followed by the parity bit. If present, then the stop bit or bits (high) confirm the end of the frame.

In receiving, the UART synchronizes on the falling edge of the start bit. When two or more “0” are detected during 3 samples, it is recognized as normal start bit and the receiving operation is started.

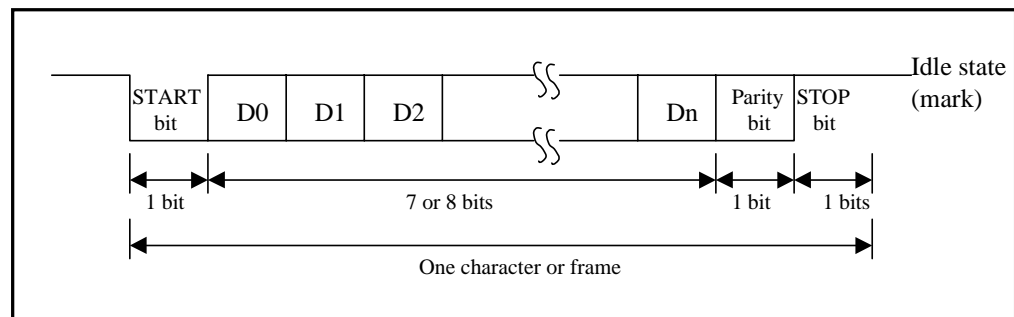


Fig. 8 UART Data Frame

There are three modes in UART. Mode 1 (7 bits data) and Mode 2 (8 bits data) allow the addition of a parity bit. The parity bit addition is not available in Mode 3. The Figure below shows the data format in each mode.

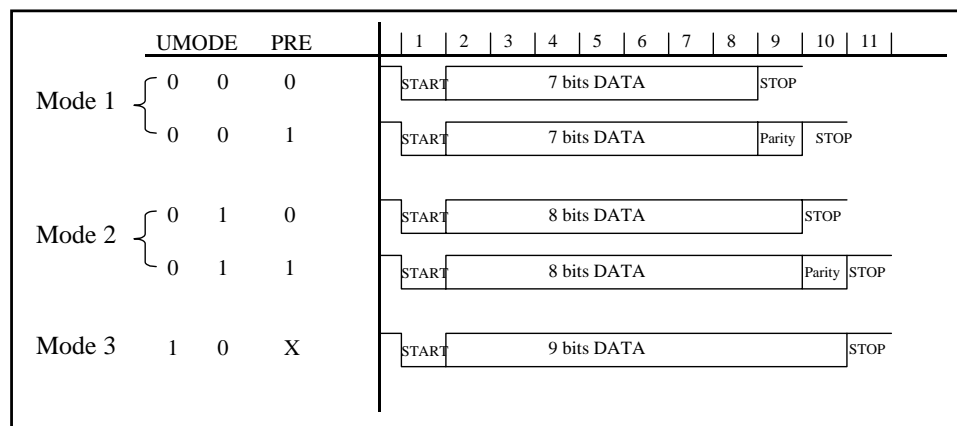


Fig. 9 UART Mode

In transmitting serial data, the UART operates as follows.

1. Set **TXE** bit of the UARTCON register to enable the UART transmission function.
2. Write data into the UART data buffer. Then start transmitting.
3. Serial transmit data are transmitted in the following order from UT (Port C7) pin.
 - (a) Start bit: output one "0" bit
 - (b) Transmit data: 7, 8 or 9 bits data are output from LSB to MSB
 - (c) Parity bit: output one parity bit (odd or even selectable)
 - (d) Stop bit: output one "1" bit (stop bit)
 - (e) Mark state: output "1" continues until the start bit of the next transmit data
4. After transmitting the stop bit, the UART generates a UART interrupt (if enabled)
5. UTBE bit will be set to 1

In receiving, the UART operates as follows:

1. Set the **RXE** bit of the UARTCON register to enable the UART receiving function.
The UART monitors the UR (Port C6) pin and synchronizes internally when it detects a start bit.
2. Receive data is shifted into the UARTRx register in the order from LSB to MSB.

3. The parity bit and the stop bit are received.

After one character is received, the UART generates a **UART** interrupt (if enabled). **URBF** bit will be set to 1.

4. The UART makes the following checks:

- (a) Parity check: The number of 1 in receive data must match the even or odd parity setting of the **EVEN** bit in the UARTSTA register.
- (b) Frame check: The start bit must be 0 and the stop bit must be 1.
- (c) Overrun check: **URBF** bit of UARTCON register must be cleared (which means that the UARTRx register should be read out) before the next received data is loaded into the UARTRx register.

If any checks failed, a UART interrupt will be generated (if enabled). The error flag should be cleared by software else a UART interrupt will occur when the next byte is received.

5. Read received data from the UART register. **URBF** bit will be cleared by hardware.

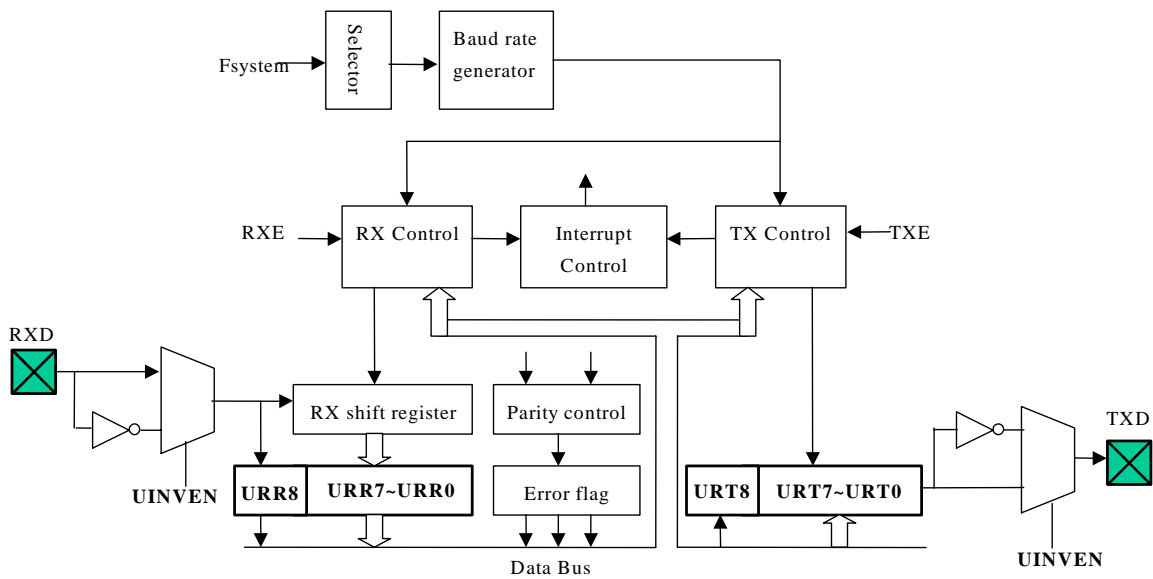


Fig. 10 UART Function Block

Bit 7 : Unused

7.2.11 R5 Program Page Selection, CNT CLK & Scale Setting, CNT1 Data (L)

7.2.11.1 Page 0 Program Page

Bit 7	Bit 6	Bit 5	Bit 4	Bit 3	Bit 2	Bit 1	Bit 0
	PS6	PS5	PS4	PS3	PS2	PS1	PS0
x	R/W-0	R/W-0	R/W-0	R/W-0	R/W-0	R/W-0	R/W-0

Bit 0 ~ Bit 6 (PS0 ~ PS6) : Program page selection bits

PS6	PS5	PS4	PS3	PS2	PS1	PS0	Program Memory Page (Address)
0	0	0	0	0	0	0	Page 0
0	0	0	0	0	0	1	Page 1
0	0	0	0	0	1	0	Page 2
0	0	0	0	0	1	1	Page 3
		:	:	:	:	:	:
		:	:	:	:	:	:
1	1	1	1	1	1	0	Page 126
1	1	1	1	1	1	1	Page 127

User can use the Page instruction to change page and maintain user's program page.

Bit 7 : This bit is undefined, not for use.

7.2.11.2 Page 1 Counter 1 Counter 2 CLK and Scale Setting

Bit 7	Bit 6	Bit 5	Bit 4	Bit 3	Bit 2	Bit 1	Bit 0
CNT2S	C2P2	C2P1	C2P0	CNT1S	C1P2	C1P1	C1P0
R/W-0	R/W-0	R/W-0	R/W-0	R/W-0	R/W-0	R/W-0	R/W-0

Bit 0~Bit 2(C1P0~C1P2) : Counter 1 scaling

C1P2	C1P1	C1P0	Counter 1
0	0	0	1:2
0	0	1	1:4
0	1	0	1:8
0	1	1	1:16
1	0	0	1:32
1	0	1	1:64
1	1	0	1:128
1	1	1	1:256

Bit 3 (CNT1S) : Counter 1 clock source

0/1 → 16.384kHz/instruction clock

Bit 4~Bit 6 (C2P0~C2P2) : Counter 2 scaling. Prescaler is different for Bit 0~Bit 2.

C2P2	C2P1	C2P0	Counter 2
0	0	0	1:2
0	0	1	1:4
0	1	0	1:8
0	1	1	1:16
1	0	0	1:32
1	0	1	1:64
1	1	0	1:128
1	1	1	1:256

Bit 7 (CNT2S) : Counter 2 clock source

0/1 → 16.384kHz / instruction clock

7.2.11.3 Page 2 Counter 1 Low 8-bit Data Buffer

Bit 7	Bit 6	Bit 5	Bit 4	Bit 3	Bit 2	Bit 1	Bit 0
CN17	CN16	CN15	CN14	CN13	CN12	CN11	CN10
R/W-0	R/W-0	R/W-0	R/W-0	R/W-0	R/W-0	R/W-0	R/W-0

Bit 0~Bit 7 (CN10~CN17) : Counter 1 data buffer

Counter 1 is a 16 bits up-counter with 8-bit prescaler and user can read or write into the counter through R5 Page 2 and R6 Page 2. After an interrupt, it will reload the preset value.

Example: write: MOV 0x05,A ; write the accumulator data to Counter 1 (preset)

Example: read: MOV A,0x05 ; read R5 data and write into the accumulator

Example: write: MOV 0x06,A ; write the accumulator data (high 8 bits) to Counter 1

Example: read: MOV A,0x06 ; read R6 data (high 8 bits) and write into the accumulator

7.2.11.4 Page 3 DA Control

Bit 7	Bit 6	Bit 5	Bit 4	Bit 3	Bit 2	Bit 1	Bit 0
–	–	–	–	CDAS	CDAL2	CDAL1	CDAL0
–	–	–	–	R/W-0	R/W-0	R/W-0	R/W-0

Bit 0 ~ Bit 2 (CDAL0 ~ CDAL2) : Change output level of the current DA

CDAL2	CDAL1	CDAL0	Output Level
0	0	0	L0 (ratio = 1/8)
0	0	1	L1 (ratio = 2/8)
0	1	0	L2 (ratio = 3/8)
0	1	1	L3 (ratio = 4/8)
1	0	0	L4 (ratio = 5/8)
1	0	1	L5 (ratio = 6/8)
1	1	0	L6 (ratio = 7/8)
1	1	1	L7 (ratio = 1)

Bit 3 (CDAS) : Current DA switch

0 → normal Port D7

1 → Current DA output

Bit 4 ~ Bit 7 : Undefined Register. These bits are undefined and not for use.

7.2.12 R6 Port 6 I/O Data, Data ROM Data Buffer, CNT1 Data (H), DA Control

7.2.12.1 Page 0 Port 6 I/O Data

Bit 7	Bit 6	Bit 5	Bit 4	Bit 3	Bit 2	Bit 1	Bit 0
P67	P66	P65	P64	P63	P62	P61	P60
R/W-X	R/W-X	R/W-X	R/W-X	R/W-X	R/W-X	R/W-X	R/W-X

Bit 0 ~ Bit 7 (P60 ~ P67) : 8-bit Port 6 (0~7) I/O data register

User can use IOC register to define whether each bit is input or output.

7.2.12.2 Page 1 Data ROM Data Buffer

Bit 7	Bit 6	Bit 5	Bit 4	Bit 3	Bit 2	Bit 1	Bit 0
DRD7	DRD6	DRD5	DRD4	DRD3	DRD2	DRD1	DRD0
R	R	R	R	R	R	R	R

Bit 0 ~ Bit 7 (DRD0 ~ DRD7) : Data ROM data buffer for ROM reading.

Example.

```
MOV A,@1
MOV R7_PAGE1,A
MOV A,@0
MOV R8_PAGE1,A
MOV A,@0
MOV R9_PAGE1,A
MOV A,R6_PAGE1 ;read the data at the Data ROM, of which
                ;address is "00001".
```

7.2.12.3 Page 2 Counter 1 High 8-bit Data Buffer

Bit 7	Bit 6	Bit 5	Bit 4	Bit 3	Bit 2	Bit 1	Bit 0
CN1F	CN1E	CN1D	CN1C	CN1B	CN1A	CN19	CN18
R/W-0	R/W-0	R/W-0	R/W-0	R/W-0	R/W-0	R/W-0	R/W-0

Bit 0~Bit 7 (CN18~CN1F) : Counter 1 high 8 bits data buffer. Refer to R5 Page 2 Counter 1 low 8-bit data buffer for details.

7.2.12.4 Page 3 DA Control

Bit 7	Bit 6	Bit 5	Bit 4	Bit 3	Bit 2	Bit 1	Bit 0
DA9	DA8	DA7	DA6	DA5	DA4	DA3	DA2
R/W-0	R/W-0	R/W-0	R/W-0	R/W-0	R/W-0	R/W-0	R/W-0

Bit 0 ~ Bit 7 (DA2 ~ DA9) : Current DA most significant 8 bits of Current DA output buffer

Combine these 8 bits and R9 Page 3 Bit 4~Bit 5, 2 bits as complete 10 bits Current DA output data. Control register Bit 3 is Current DA power control.

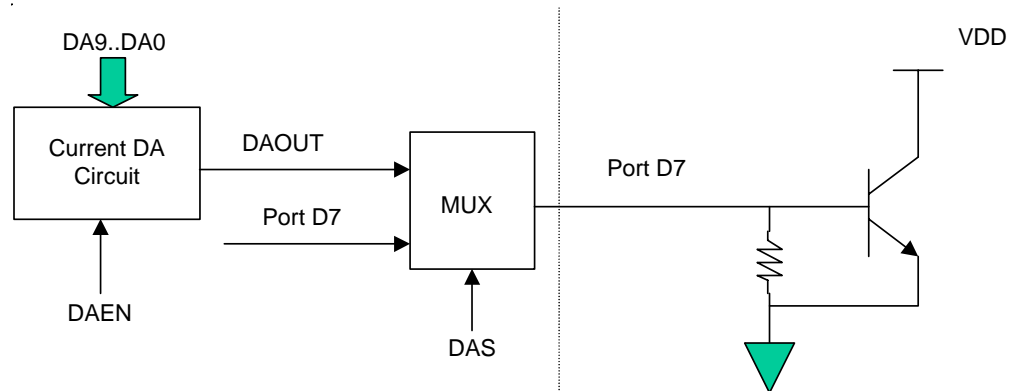


Fig 11 s Current DA structure

7.2.13 R7 Port 7 I/O Data, Data ROM Address, CNT2 Data, SPI Control

7.2.13.1 Page 0 Port 7 I/O Data

Bit 7	Bit 6	Bit 5	Bit 4	Bit 3	Bit 2	Bit 1	Bit 0
P77	P76	P75	P74	P73	P72	P71	P70
R/W-X	R/W-X	R/W-X	R/W-X	R/W-X	R/W-X	R/W-X	R/W-X

Bit 0 ~ Bit 7 (P70 ~ P77) : 8-bit Port 7(0~7) I/O data register

User can use the IOC register to define whether each bit is input or output.

7.2.13.2 Page 1 Data ROM Address

Bit 7	Bit 6	Bit 5	Bit 4	Bit 3	Bit 2	Bit 1	Bit 0
DRA7	DRA6	DRA5	DRA4	DRA3	DRA2	DRA1	DRA0
R/W-X	R/W-X	R/W-X	R/W-X	R/W-X	R/W-X	R/W-X	R/W-X

Bit 0 ~ Bit 7 (DRA0 ~ DRA7) : Data ROM address (0~7) for ROM reading

7.2.13.3 Page 2 Counter 2 Data Buffer

Bit 7	Bit 6	Bit 5	Bit 4	Bit 3	Bit 2	Bit 1	Bit 0
CN27	CN26	CN25	CN24	CN23	CN22	CN21	CN20
R/W-0	R/W-0	R/W-0	R/W-0	R/W-0	R/W-0	R/W-0	R/W-0

Bit 0~Bit 7(CN20~CN27) : Counter 2's data buffer

User can read and write into this buffer. Counter 2 is an 8-bit up-counter with 8-bit prescaler that user can use R7 page2 to preset and read the counter (write = preset). After an interrupt, it will reload the preset value.

Example: write: MOV 0x07, A ; write the data at accumulator to counter1 (preset)

Example: read: MOV A, 0x07 ; read R7 data and write to accumulator

7.2.13.4 Page 3 SPI Control Register

Bit 7	Bit 6	Bit 5	Bit 4	Bit 3	Bit 2	Bit 1	Bit 0
RBF	SPIE	SRO	SE	SCES	SBR2	SBR1	SBR0
R/W-0	R/W-0	R/W-0	R/W-0	R/W-0	R/W-0	R/W-0	R/W-0

Fig.12 shows how SPI to communicate with other device by SPI module. If SPI is a master controller, it sends clock through the SCK pin. An 8-bit data is transmitted and received at the same time. If SPI, however, is defined as a slave, its SCK pin could be programmed as an input pin. Data will continue to be shifted basing on the clock rate and the selected edge.

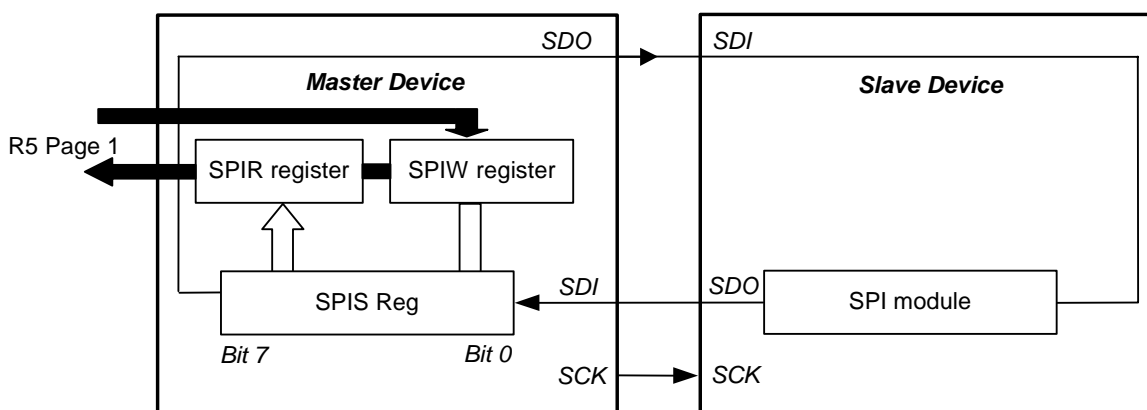


Fig 12: Single SPI Master / Slave Communication

Bit 0 ~ Bit 2 (SBR0 ~ SBR2) : SPI baud rate selection bits

SBR2	SBR1	SBR0	Mode	Baud Rate
0	0	0	Master	Fsco
0	0	1	Master	Fsco/2
0	1	0	Master	Fsco/4
0	1	1	Master	Fsco/8
1	0	0	Master	Fsco/16
1	0	1	Master	Fsco/32
1	1	0	Slave	
1	1	1		×

Note: Fsco = CPU Instruction Clock

Example:

If PLL enable and RA Page 0 (Bit 5, Bit 4) = (1, 1), instruction clock is 3.58 MHz/2 → Fsco=3.5862MHz/2

If PLL enable and RA Page 0 (Bit 5, Bit 4) = (0, 0), instruction clock is 0.895 MHz/2 → Fsco=0.895 MHz/2

If PLL disable, instruction clock is 32.768kHz/2 → Fsco=32.768kHz/2.

Bit 3 (SCES) : SPI clock edge selection bit

0 → Data shifts out on a rising edge, and shifts in on falling edge.
Data is hold during the low level.

1 → Data shifts out on falling edge, and shifts in on rising edge. Data is hold during the high level.

Bit 4 (SE) : SPI shift enable bit

0 → Reset as soon as the shifting is complete, and the next byte is ready to shift.

1 → Start to shift, and remain a 1 while the current byte is still being transmitted.

NOTE

This bit has to be reset by software.

SPIC reg : SPI control register

SDO/P61 : Serial data out

SDI/P62 : Serial data in

SCK/P60 : Serial clock

RBF : Set by buffer full detector, and reset by software.

RBFI : Interrupt flag. Set by buffer full detector, and reset in software.

Buffer Full Detect : Set to 1, while an 8-bit shifting is complete.

SE : Loads the data in SPIW register, and begins to shift

SPIE : SPI control register

SPIS reg. : Shifting byte out and in. The MSB will be shifted first. Both the SPIS register and the SPIW register are loaded at the same time. Once data is being written to, SPIS starts transmission / reception. The received data will be moved to the SPIR register, as the shifting of the 8-bit data is completed. The RBF (Read Buffer Full) flag and the RBFI (Read Buffer Full Interrupt) flag are set.

SPIR reg. : Read buffer. The buffer will be updated as the 8-bit shifting is completed. The data must be read before the next reception is finished. The RBF flag is cleared as the SPIR register is read.

SPIW reg. : Write buffer. The buffer will deny any write until the 8-bit shifting is completed. The SE bit will be kept in 1 if the communication is still undergoing. This flag must be cleared as the shifting is finished. Users can determine if the next write attempt is available.

SBR2 ~ SBR0: Programs the clock frequency/rates and sources.

Clock Select : Selects either the internal instruction clock or the external 16.338kHz clock as the shifting clock.

Edge Select : Selects the appropriate clock edges by programming the SCES bit

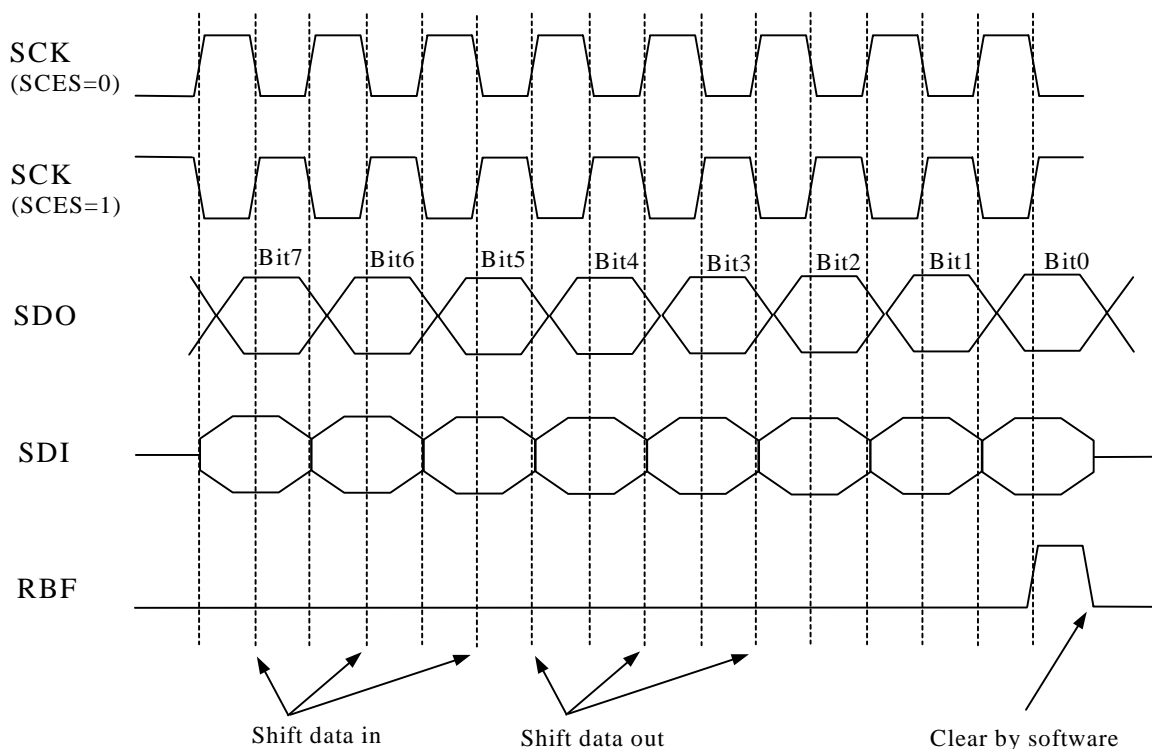


Fig. 14 SPI Timing

7.2.14 R8 Port 8 I/O Data, Data ROM Address, DTMF Receiver, SPI Data

7.2.14.1 Page 0 Port 8 I/O Data

Bit 7	Bit 6	Bit 5	Bit 4	Bit 3	Bit 2	Bit 1	Bit 0
P87	P86	P85	P84	P83	P82	P81	P80
R/W-X	R/W-X	R/W-X	R/W-X	R/W-X	R/W-X	R/W-X	R/W-X

Bit 0 ~ Bit 7 (P80 ~ P87) : 8-bit Port 8 (0~7) I/O data register

User can use the IOC register to define each bit either as input or output.

7.2.14.2 Page 1 Data ROM address

Bit 7	Bit 6	Bit 5	Bit 4	Bit 3	Bit 2	Bit 1	Bit 0
DRA15	DRA14	DRA13	DRA12	DRA11	DRA10	DRA9	DRA8
R/W-X	R/W-X	R/W-X	R/W-X	R/W-X	R/W-X	R/W-X	R/W-X

Bit 0 ~ Bit 7 (DRA8 ~ DRA15) : Data ROM address (8~15) for ROM reading

7.2.14.3 Page 2 DTMF Receiver

Bit 7	Bit 6	Bit 5	Bit 4	Bit 3	Bit 2	Bit 1	Bit 0
CMPFLAG	STD	–	–	Q4	Q2	Q1	Q0
R	R/W-0	×	×	R/W-0	R/W-0	R/W-0	R/W-0

Bit 0 ~ Bit 3 (Q1 ~ Q4) : DTMF receiver decoding data

These provide the code corresponding to the last valid tone-pair received (see code table). The STD signal with steering output presents a logic high when a received tone-pair has been registered and the Q4 ~ Q1 output latch updated, and generates an interrupt (IOCF has enabled); returns to logic low when the voltage on ST/GT falls below Vtst.

F low	F high	Key	DREN	Q4~Q1
697	1209	1	1	0001
697	1336	2	1	0010
697	1477	3	1	0011
770	1209	4	1	0100
770	1336	5	1	0101
770	1477	6	1	0110
852	1209	7	1	0111
852	1336	8	1	1000
852	1477	9	1	1001
941	1209	0	1	1010
941	1336	*	1	1011
941	1477	#	1	1100
697	1633	A	1	1101
770	1633	B	1	1110
852	1633	C	1	1111
941	1633	D	1	0000
Any	Any	Any	0	xxxx

Note: “x” means unknown

Bit 4~Bit 5 : Undefined Register
Bit 6 (STD) : Delayed steering output

Presents a logic high when a received tone-pair has been registered and the output latch updated; returns to logic low when the voltage on St/GT falls below Vtst.

0/1 → Data invalid/data valid

Be sure to open the main clock before using the DTMF receiver circuit. A logic “0, 0” applied to R5 Page 3 B 4 and B 3 will shut down power of the device to minimize the power consumption in standby mode. It stops functions of the filters.

In many situations not requiring independent selection of received and paused, the simple steering circuit is applicable. Component values are chosen according to the following formula:

$$t_{REC} = t_{DP} + t_{GTP} \quad t_{ID} = t_{DA} + t_{GTA}$$

The value of t_{DP} is a parameter of the device and t_{REC} is the minimum signal duration to be recognized by the receiver. A $0.1 \mu\text{F}$ value for C is recommended for most applications, leaving R to be selected by the designer. For example, a suitable value of R for a t_{REC} of 30mS would be 300k .

Different steering arrangements may be used to select independently the guard-times for tone-present (t_{GTP}) and tone-absent (t_{GTA}). This may be necessary to meet system specifications which place both accept and reject limits on both tone duration and inter digital pause.

Guard-time adjustment also allows the designer to tailor system parameters such as talk off and noise immunity. Increasing t_{REC} improves talk-off performance, since it reduces the probability that tones simulated by speech will maintain signal condition long enough to be registered. On the other hand, a relatively short t_{REC} with a long t_{DO} would be appropriate for extremely noisy environments where fast acquisition time and immunity to drop-outs would be required.

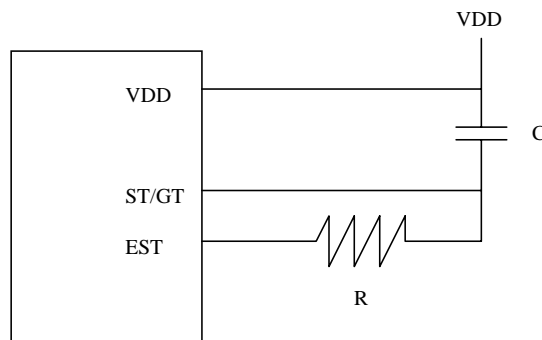


Fig. 15 DTMF Receiver Delay Time Control

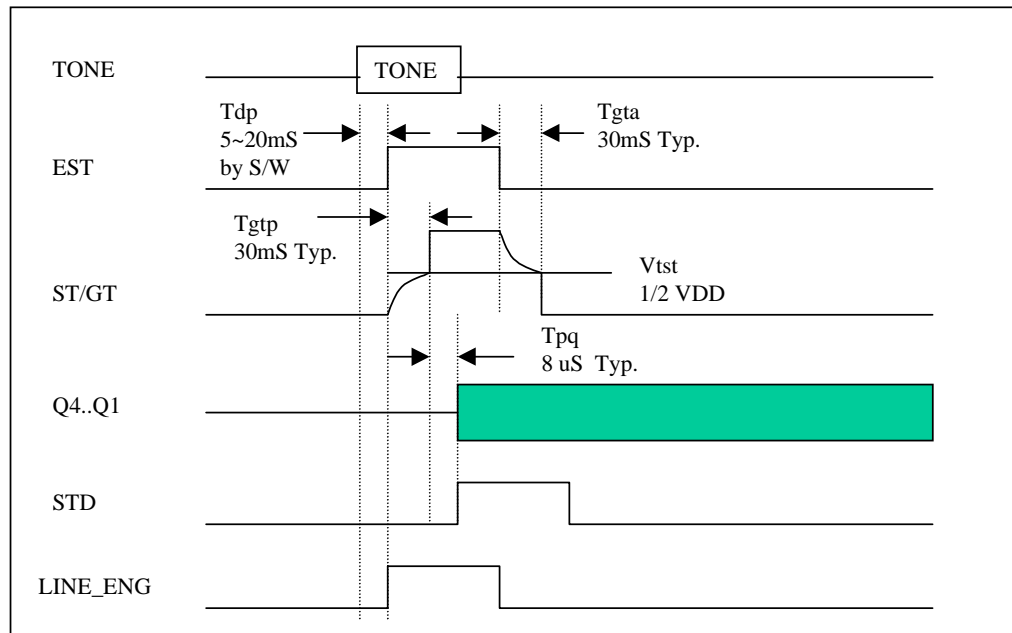


Fig. 16 DTMF Receiver Timing

Bit 7 (CMPFLAG) : Comparator output flag

0 → Input voltage < reference voltage

1 → Input voltage > reference voltage

NOTE
Refer to Sec. 7.2.16.3 RA Page 2 Comparator Control Register.

7.2.14.4 Page 3 SPI Data Buffer

Bit 7	Bit 6	Bit 5	Bit 4	Bit 3	Bit 2	Bit 1	Bit 0
SPIB7	SPIB6	SPIB5	SPIB4	SPIB3	SPIB2	SPIB1	SPIB0
R/W-X	R/W-X	R/W-X	R/W-X	R/W-X	R/W-X	R/W-X	R/W-X

Bit 0 ~ Bit 7 (SPIB0 ~ SPIB7) : SPI data buffer

If you write data to this register, the data will be written to the SPIW register. If you read this data, it will read the data from the SPIR register. Refer to Fig. 9.

7.2.15 R9 Port 9 I/O Data, Data ROM Address, Keytone Control

7.2.15.1 Page 0 Port 9 I/O Data

Bit 7	Bit 6	Bit 5	Bit 4	Bit 3	Bit 2	Bit 1	Bit 0
P97	P96	P95	P94	P93	P92	P91	P90
R/W-X	R/W-X	R/W-X	R/W-X	R/W-X	R/W-X	R/W-X	R/W-X



Bit 0 ~ Bit 7 (P90 ~ P97) : 8-bit Port 9 (0~7) I/O data register

User can use the IOC register to define each bit either as input or output.

7.2.15.2 Page 1 Data ROM Address

Bit 7	Bit 6	Bit 5	Bit 4	Bit 3	Bit 2	Bit 1	Bit 0
-	-	-	DRA20	DRA19	DRA18	DRA17	DRA16
-	-	-	R/W-X	R/W-X	R/W-X	R/W-X	R/W-X

Bit 0 ~ Bit 4 (DRA16 ~ DRA20) : Data ROM address (16~20) for ROM reading..

Bit 5~Bit 7 : Unused

7.2.15.3 Page 2 FSK/CW/DTMF Power Select

Bit 7	Bit 6	Bit 5	Bit 4	Bit 3	Bit 2	Bit 1	Bit 0
PCTRL1	PCTRL0	ADCS3	ADCS2	ADCS1	-	-	-
R/W-0	R/W-0	R/W-0	R/W-0	R/W-0	-	-	-

Bit 0 ~ Bit 1 : Unused

Bit 3 ~ Bit 5(ADCS1 ~ ADCS3) : PORT65 ~ Port 67 normal IO / CMP input control bit.

ADCSX = 1 → Comparator input

ADCSX = 0 → Normal IO

Bit 6~Bit 7 (PCTRL0~PCTRL1) : FSK and DTMF power control bits

PCTRL1	PCTRL0	Select	Relation Register
0	0	FSK and DTMFr power off	-
0	1	FSK power on	RA Page 0
1	0	DTMF receiver power on	R8 Page 2
1	1	Cannot be used	-

* Do not set both the bits to 1, or FSK and DTMF function will fail.

* When User turns on the DTMF receiver power, Port 60 and Port 61 will switch to /STGT and EST pin.

7.2.15.4 Page 3 Keytone Control

Bit 7	Bit 6	Bit 5	Bit 4	Bit 3	Bit 2	Bit 1	Bit 0
URT8	URR8	DA1	DA0	URINV	KT1	KT0	KTS
R/W-X	R	R/W-X	R/W-X	R/W-X	R/W-0	R/W-0	R/W-0

Bit 0 (KTS) : Key tone output switch

0 → Normal Port 76

1 → Keytone output

Bit 1 ~ Bit 2 (KT0 ~ KT1) : Keytone output frequency and its power control

KT1	KT0	Keytone Frequency and Power
0	0	32.768kHz/32 = 1.024kHz clock and enable
0	1	32.768kHz/16 = 2.048kHz clock and enable
1	0	32.768kHz/8 = 4.096kHz clock and enable
1	1	Power-off keytone

Bit 3 (URINV) : Enable UART TXD, RXD port inverse output

0 → Disable UART TXD, RXD port inverse output

1 → Enable UART TXD, RXD port inverse output

Bit 4 ~ Bit 5 (DA0~DA1) : These two bits are the least significant bits of the Current DA. Combine R6 Page 3 and these 2 bits as complete 10 bits Current DA output data.

Bit 6 (URR8) : MSB of UART receiver data buffer.

Bit 7 (URT8) : MSB of UART transmitter data buffer.

7.2.16 RA CPU Power Saving, Main CLK Select, FSK, WDT Timer Comparator Control, Tone 1 Generator

7.2.16.1 Page 0 Power Saving, Main CLK Select, FSK, WDT Timer

Bit 7	Bit 6	Bit 5	Bit 4	Bit 3	Bit 2	Bit 1	Bit 0
0	PLLEN	CLK1	CLK0	ROMRI	FSKDATA	/CD	WDTEN
R/W-0	R/W-0	R/W-0	R/W-0	R/W-0	R	R	R/W-0

Bit 0 (WDTEN) : Watchdog control register

User can use WDTC instruction to clear the watchdog counter. The counter's clock source is 32768/2 Hz. If the prescaler is assigned to TCC, the Watchdog will time out by $(1/32768) * 2 * 256 = 15.616\text{ms}$. If the prescaler is assigned to WDT, the time out will be more times depending on the prescaler ratio.

0/1 → disable/enable

Bit 1 (/CD) : FSK carrier detect indication

0/1 → Carrier Valid/CARRIER Invalid

It is a read only signal. If the FSK decoder detects the energy of the marked or space signal, the Carrier signal will go to low level.

Otherwise it will go to high. Note that this should be in normal mode.

Bit 2 (FSKDATA) : FSK decoding data output

It is a read only signal. If the FSK decodes the mark or space signal, it will output a high level signal or low level signal at this register. It is a raw data type. That means the decoder just decodes the signal and has no process on the FSK signal. Note that this should be in normal mode.

User can use FSK data falling edge interrupt function to help in data decoding.

Example:

```
MOV     A,@01000000
IOW    IOCF           ;enable FSK interrupt function
CLR    RF
ENI                    ;wait for FSK data's falling edge
:
```

0 = Space data (2200 Hz)

1 = Mark data (1200 Hz)

FSK block power is controlled by R5 Page 3 Bit 3, 4. When PCTRL1=0 and PCTRL0=1, FSK power is turned on.

The relation between R5 Bit 3 to Bit 4 and RA Bit 1 to Bit 2 are shown in Fig.17. You have to power up the FSK decoder first, then wait for a setup time (T_{sup}) and check carrier signal ($/CD$). If the carrier is low, the program can process the FSK data.

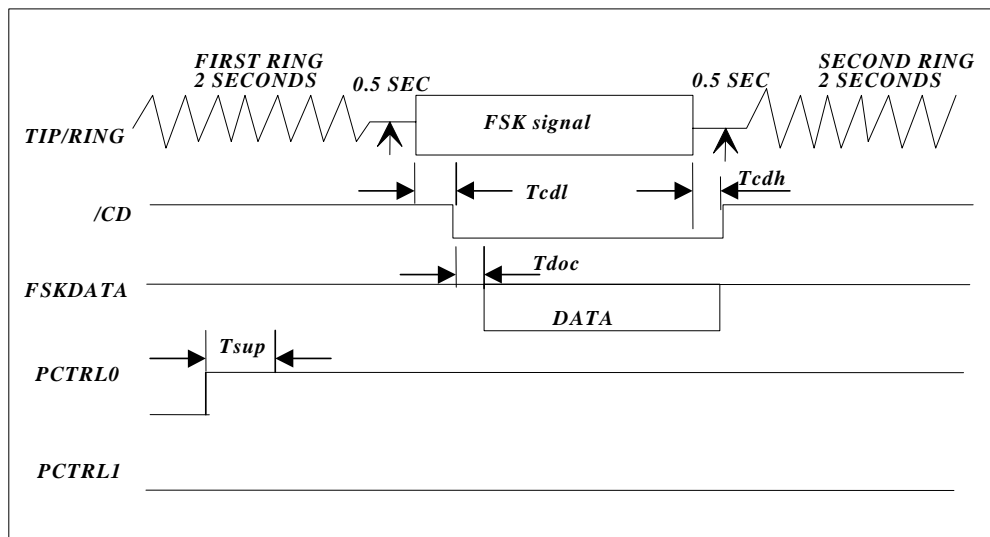


Fig. 17 Relationship between R5 Bit 3 to Bit 4 and RA Bit 1 to Bit 2

The controller is a CMOS device designed to support the Caller Number Deliver feature which is offered by the Regional Bell Operating Companies. The FSK block comprises one path: the signal path. The signal path consist of an input differential buffer, a band pass filter, an FSK demodulator and a data valid with carrier detect circuit.

In a typical application, user can use his own external ring detect output as a triggering input to IO port. User can use this signal to wake up the chip by external ring detect signal. Setting "0, 1" to R5 B4 and B3 (PCTRL1 & PCTRL0) of the RA register activates the FSK decoder block. If B4 and B3 of register R5 is set to "0, 1", the FSK decoder block will be powered down.

The input buffer accepts a differential AC coupled input signal through the TIP and RING input and feeds this signal to a band pass filter. Once the signal is filtered, the FSK demodulator decodes the information and sends it to a post filter. The output data is then made available at Bit 2 (FSKData) of register RA. This data, as sent by the central office, includes the header information (alternate "1" and "0") and 150 ms of marking which precedes the date, time and calling number. If no data is present, the Bit 2 (Data) of register RA is held at "1" state. This is accomplished by a carrier detect circuit which determines if the in-band energy is high enough. If the incoming signal is valid, Bit 1 (/CD) of register RA will be "0" otherwise it will be held at "1". Thus the demodulated data is transferred to Bit 2 (Data) of register RA. If it is not, then the FSK demodulator is blocked.

Bit 3 (ROMRI) : External Data ROM read data address auto_increase enable.

RO_IDEN	ROMRI	Result
0	×	Regardless Read/Write external Data ROM, Address flag cannot increase or decrease.
1	0	Address flag will auto_increase or decrease after a Read/Write of the external Data ROM.
1	1	Address flag will auto_increase or decrease after a Write to the external Data ROM, but the address flag is constant after reading the external Data ROM.

Bit 4 ~ Bit 5 (CLK0 ~ CLK1) : Main clock selection bits

User can choose different frequency for the main clock by CLK1 and CLK2. All the clock selection is listed below.

PLLEN	CLK1	CLK0	Sub Clock	Main Clock	CPU Clock
1	0	0	32.768kHz	5.374MHz	5.374MHz (Normal mode)
1	0	1	32.768kHz	1.7913MHz	1.7913MHz (Normal mode)
1	1	0	32.768kHz	10.7479MHz	10.7479MHz (Normal mode)
1	1	1	32.768kHz	3.5826MHz	3.5826MHz (Normal mode)
0	Don't care	don't care	32.768kHz	Don't care	32.768kHz (Green mode)
0	Don't care	don't care	32.768kHz	Don't care	32.768kHz (Green mode)
0	Don't care	don't care	32.768kHz	Don't care	32.768kHz (Green mode)
0	Don't care	don't care	32.768kHz	Don't care	32.768kHz (Green mode)

Bit 6 (PLEN) : PLL enable control bit

It is CPU mode control register. If PLL is enabled, the CPU will operate in normal mode (high frequency, main clock), otherwise it will run in green mode (low frequency, 32768 Hz).

0/1 → disable/enable

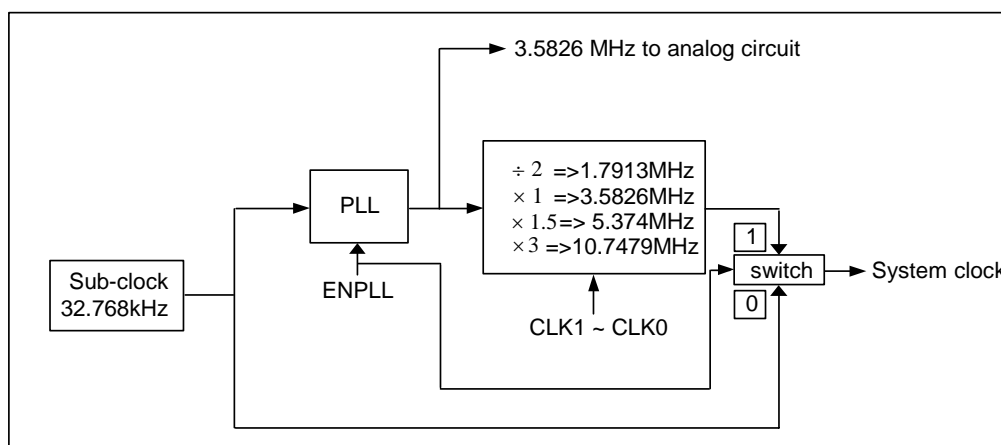


Fig. 18 Relationship between 32.768kHz and PLL

Bit 7: Unused Register. Always keep this bit to 0, otherwise some un-expected error will occur.

Wake-up Signal	Sleep Mode	Green Mode	Normal Mode
	RA (7, 6) = (0, 0) + SLEP	RA (7, 6) = (x, 0) no SLEP	RA (7, 6) = (x, 1) no SLEP
TCC time out IOCF Bit 0=1 And "ENI"	No function	Interrupt (jump to Address 8 at Page 0)	Interrupt (jump to Address 8 at Page 0)
Counter 1 time out IOCF Bit 1=1 And "ENI"	No function	Interrupt (jump to Address 8 at Page 0)	Interrupt (jump to Address 8 at Page 0)
Counter 2 time out IOCF Bit 2=1 And "ENI"	No function	Interrupt (jump to Address 8 at Page 0)	Interrupt (jump to address 8 at Page 0)
WDT time out	RESET and Jump to Address 0	RESET and Jump to Address 0	RESET and Jump to Address 0
Port 7 Any one bit in IOCE Page 0 = 1 And "ENI"	RESET and Jump to Address 0	Interrupt (jump to Address 8 at Page 0)	Interrupt (jump to Address 8 at Page 0)
DED interrupt IOCE page1 bit 6 = 1 And RF Bit 3 logic level variation (switch by EDGE bit) And "ENI"	No function	Interrupt (jump to Address 8 at Page 0)	Interrupt (jump to Address 8 at Page 0)

NOTE

- Port 70 ~ Port 76's wake-up function is controlled by IOCE Page 0 Bit 0~Bit 6 and ENI instruction. They are falling edge trigger.
- Port 77's wake-up function is controlled by IOCE Page 0 Bit 7. It can be triggered by a falling edge or rising edge (controlled by CONT register).

7.2.16.2 Page 1 Undefined Register: This register is not for use.

7.2.16.3 Page 2 Comparator Control Register

Bit 7	Bit 6	Bit 5	Bit 4	Bit 3	Bit 2	Bit 1	Bit 0
CMPEN	CMPREF	CMPS1	CMPS0	CMPB3	CMPB2	CMPB1	CMPB0
R/W-0	R/W-0	R/W-0	R/W-0	R/W-0	R/W-0	R/W-0	R/W-0

If user defines Port 63, Port 64 or Port 65 (by ADCS1, ADCS2, ADCS3 at R9 Page 2) as a comparator input or Port 6, then user can use this register to control the comparator's function.

Bit 0~Bit 3(CMPB0 ~ CMPB3) : Reference voltage selection of the internal bias circuit for the comparator.

$$\text{Reference voltage for comparator} = VDD \times (N + 0.5) / 16, N = 0 \text{ to } 15$$

Bit 4~Bit 5(CMPS0~CMPS1) : Channel selection from CMP1 to CMP3 for comparator

CMPS1	CMPS0	Input
0	0	CMP1
0	1	CMP2
1	0	CMP3
1	1	Reserved

Bit 6(CMPREF) : Switch for comparator reference voltage type

0 → internal reference voltage

1 → external reference voltage

Bit 7(CMPEN) : Enable control bit of comparator.

0/1 → disable/enable, when CMPEN bit is set to "0", the 2.0V ref circuit will be powered off.

The relationship between these registers is shown in Fig.19.

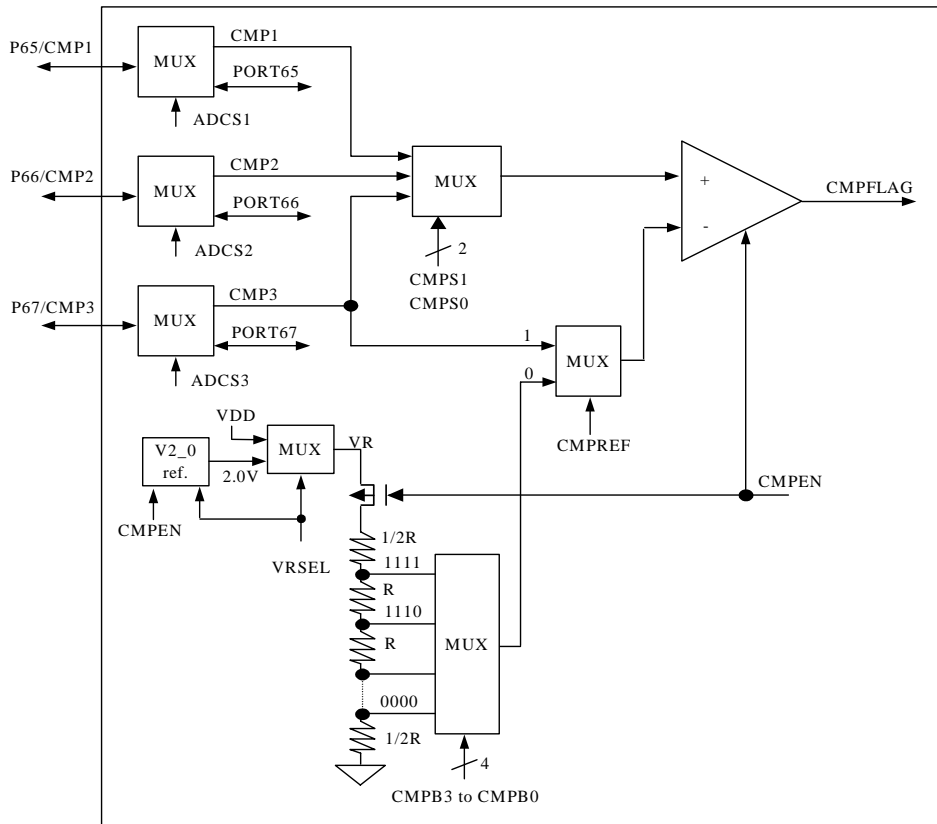


Fig. 19 Comparator Circuit

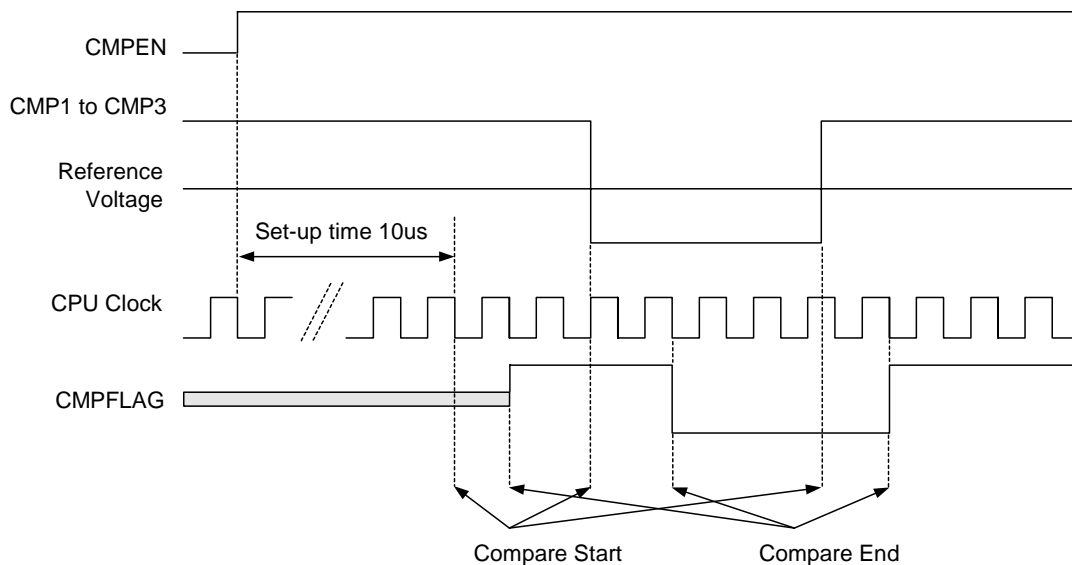


Fig. 20 Comparator Timing

7.2.16.4 Page 3 Tone 1 Control Register

Bit 7	Bit 6	Bit 5	Bit 4	Bit 3	Bit 2	Bit 1	Bit 0
T17	T16	T15	T14	T13	T12	T11	T10
R/W-0	R/W-0	R/W-0	R/W-0	R/W-0	R/W-0	R/W-0	R/W-0

Bit 0~Bit 7 (T10~T17) : Tone Generator 1 frequency divider and power control. Run in Normal mode.

Clock source = 85300Hz

T17~T10 = '11111111' → Tone Generator 1 will has 334 (85300/255) Hz Sine wave output.

:

T17~T10 = '00000010' → Tone Generator 1 will has 41150(85300/2) Hz Sine wave output.

T17~T10 = '00000001' → DC bias voltage output

T17~T10 = '00000000' → Power off

Built-in tone generator can generate dialing tone signals for dialing tone type telephones or just a single tone. In DTMF application, there are two kinds of tones, One is the row frequency group (Tone 1), the other is the column frequency group (Tone 2). Each group has four kinds of frequency, user can get a total of 16 kinds of DTMF frequency. A Tone generator contains a row frequency sine wave generator for generating the DTMF signal which is selected by RA Page 3 and a column frequency sine wave generator for generating the DTMF signal which is selected by RB Page 3. This block can generate a single tone by filling one of these two registers.

If all the values are low, the power of the tone generators will be turned off.

		Tone 2 (RB Page 3) High Group Freq.			
		1201.4Hz (0X47)	1332.8Hz (0X40)	1470.7Hz (0X3A)	1640.4Hz (0X34)
Tone 1 (RA page3)	699.2Hz (0x07A)	1	2	3	A
	768.5Hz (0x06F)	4	5	6	B
Low group freq.	853.0Hz (0x064)	7	8	9	C
	937.4Hz (0x05B)	*	0	#	D

Tone 1 and Tone 2 are asynchronous tone generators and both can be used to generate Caller ID FSK signal. In FSK generator application, Tone 1 or Tone 2 can generate 1200Hz Mark bit and 2200Hz Space bit for Bell202 or 1300Hz Mark bit and 2100Hz Space bit for V.23. See the following table.

Tone 1 (IOCC Page 1) or Tone 2 (IOCD Page 1)	Freq. (Hz)	Description
0x47	1201.4	Bell202 FSK Mark bit
0x27	2187.2	Bell202 FSK Space bit
0x42	1292.4	V.23 FSK Mark bit
0x29	2080.5	V.23 FSK Space bit

The Tone generator can also generate CW or SMS signal. See the following table.

Tone 1 (IOCC Page 1) or Tone 2 (IOCD Page 1)	Freq. (Hz)	Description
0x28	2132.5	CAS freq
0x1F	2751.6	CAS freq

7.2.17 RB Port B I/O Data, Key Strobe, Tone 2 Generator

7.2.17.1 Page 0 Port B I/O Data

Bit 7	Bit 6	Bit 5	Bit 4	Bit 3	Bit 2	Bit 1	Bit 0
PB7	PB6	PB5	PB4	PB3	PB2	PB1	PB0
R/W-X	R/W-X	R/W-X	R/W-X	R/W-X	R/W-X	R/W-X	R/W-X

Bit 0 ~ Bit 7 (PB0 ~ PB7) : 8-bit Port B (0~7) I/O data register.

User can use the IOC register to define each bit as either input or output.

7.2.17.2 Page 1 Undefined Register: This register is not for use.

7.2.17.3 Page 2 Key Strobe Control Register

Bit 7	Bit 6	Bit 5	Bit 4	Bit 3	Bit 2	Bit 1	Bit 0
STRB7	STRB6	STRB5	STRB4	STRB3	STRB2	STRB1	STRB0
R	R	R	R	R	R	R	R

Bit 0 ~ Bit 7 (STRB0 ~ STRB7) : Key strobe control bits.

These key strobe control registers correspond to Port 80 ~ Port 87. Refer to Keystrobe explanation (RE Page 3).

7.2.17.4 Page 3 Tone 2 Control Register

Bit 7	Bit 6	Bit 5	Bit 4	Bit 3	Bit 2	Bit 1	Bit 0
T27	T26	T25	T24	T23	T22	T21	T20
R/W-0	R/W-0	R/W-0	R/W-0	R/W-0	R/W-0	R/W-0	R/W-0

Bit 0~Bit 7(T20~T27) : Tone Generator 1 frequency divider and power control. Refer to RA Page 3 Tone 1 control register for details.

7.2.18 RC Port C I/O Data, Data RAM Data Buffer, Tone 2 Generator

7.2.18.1 Page 0 Port C I/O Data

Bit 7	Bit 6	Bit 5	Bit 4	Bit 3	Bit 2	Bit 1	Bit 0
PC7	PC6	PC5	PC4	PC3	PC2	PC1	PC0
R/W-X	R/W-X	R/W-X	R/W-X	R/W-X	R/W-X	R/W-X	R/W-X

Bit 0 ~ Bit 7 (PC0 ~ PC7) : 8-bit Port C (0~7) I/O data register

User can use the IOC register to define each bit either as input or output.

7.2.18.2 Page 1 Data RAM Data Buffer 1

Bit 7	Bit 6	Bit 5	Bit 4	Bit 3	Bit 2	Bit 1	Bit 0
RAM1D7	RAM1D6	RAM1D5	RAM1D4	RAM1D3	RAM1D2	RAM1D1	RAM1D0
R/W-X	R/W-X	R/W-X	R/W-X	R/W-X	R/W-X	R/W-X	R/W-X

Bit 0 ~ Bit 7 (RAM1D0 ~ RAM1D7) : Data RAM data Buffer 1 for RAM reading or writing.

Example.

```

MOV     A,@1
MOV     RD_PAGE1,A
MOV     A,@0
MOV     RE_PAGE1,A
MOV     A,@0x55
MOV     RC_PAGE1,A           ;write data 0x55 to DATA RAM
                               ;which is address "0001"
MOV     A,RC_PAGE1         ;read data
:

```

7.2.18.3 Page 2 Key Strobe Control Register

Bit 7	Bit 6	Bit 5	Bit 4	Bit 3	Bit 2	Bit 1	Bit 0
STRB15	STRB14	STRB13	STRB12	STRB11	STRB10	STRB9	STRB8
R	R	R	R	R	R	R	R

Bit 0 ~ Bit 7 (STRB8 ~ STRB15) : Key strobe control bits

These key strobe control registers correspond to Port 90 ~ Port 97. Refer to Key strobe explanation (RE Page 3).

7.2.18.4 Page 3 Undefined Register:

This register is unimplemented, not for use.

7.2.19 RD Port D I/O Data, Data RAM Address

7.2.19.1 Page 0 Port D I/O Data, Data RAM Address

Bit 7	Bit 6	Bit 5	Bit 4	Bit 3	Bit 2	Bit 1	Bit 0
PD7	PD6	PD5	PD4	PD3	PD2	PD1	PD0
R/W-X	R/W-X	R/W-X	R/W-X	R/W-X	R/W-X	R/W-X	R/W-X

Bit 0 ~ Bit 7 (PD0 ~ PD7) : 7-bit Port D (0~6) I/O data register

User can use the IOC register to define each bit either as input or output.

7.2.19.2 Page 1 Data RAM Address 1 (Low 8 bits)

Bit 7	Bit 6	Bit 5	Bit 4	Bit 3	Bit 2	Bit 1	Bit 0
RAM1A7	RAM1A6	RAM1A5	RAM1A4	RAM1A3	RAM1A2	RAM1A1	RAM1A0
R/W-X	R/W-X	R/W-X	R/W-X	R/W-X	R/W-X	R/W-X	R/W-X

Bit 0~Bit 7 (RAM1A0 ~ RAM1A7) : Data RAM address1 (Address 0 to Address 7) for RAM reading or writing

7.2.19.3 Page 2 Undefined Register

7.2.19.4 Page 3 Undefined Register

These two register are unimplemented, not for use.

7.2.20 RE Interrupt Flag 1, Data RAM Address 1 (H) CAS, Key Scan

7.2.20.1 Page 0 Interrupt Flag 1

Bit 7	Bit 6	Bit 5	Bit 4	Bit 3	Bit 2	Bit 1	Bit 0
INT7	INT6	INT5	INT4	INT3	INT2	INT1	INT0
R/W-0	R/W-0	R/W-0	R/W-0	R/W-0	R/W-0	R/W-0	R/W-0

Interrupt flag registers. User can only clear these bits from 1 to 0 but cannot set them from 0 to 1.

Bit 0 (INT0) : External INT0 pin interrupt flag

If Port 70 has a falling edge trigger signal, the CPU will set this bit.

Bit 1 (INT1) : External INT1 pin interrupt flag

If Port 71 has a falling edge trigger signal, the CPU will set this bit.

Bit 2 (INT2) : External INT2 pin interrupt flag

If Port 72 has a falling edge trigger signal, the CPU will set this bit.

Bit 3 (INT3) : External INT3 pin interrupt flag

If Port 73 has a falling edge trigger signal, the CPU will set this bit.

Bit 4 (INT4) : External INT4 pin interrupt flag

If Port 74 has a falling edge trigger signal, the CPU will set this bit.

Bit 5 (INT5) : External INT5 pin interrupt flag

If Port 75 has a falling edge trigger signal, the CPU will set this bit.

Bit 6 (INT6) : External INT6 pin interrupt flag

If Port 76 has a falling edge trigger signal, the CPU will set this bit.

Bit 7 (INT7) : External INT7 pin interrupt flag

If Port 77 has a falling (or rising and falling) edge trigger signal, the CPU will set this bit.

Signal	Trigger	Remark
INT0 : INT6	Falling edge	
INT7	Falling/Falling & Rising Edge	Controlled by CONT register

7.2.20.2 Page 1 Data RAM Address 1(H)

Bit 7	Bit 6	Bit 5	Bit 4	Bit 3	Bit 2	Bit 1	Bit 0
–	–	–	–	RAM1A11	RAM1A10	RAM1A9	RAM1A8
×	×	×	×	R/W-X	R/W-X	R/W-X	R/W-X

Bit 0~Bit 3 (RAM1A8 ~ RAM1A11) : Data RAM address (Address 8 to Address 11) for RAM reading.

Bit 4~Bit 7 Undefined Register. These registers are not certain whether 0 or 1. Do not use these registers.

7.2.20.3 Page 2 CAS Detected Flag, Keyscan

Bit 7	Bit 6	Bit 5	Bit 4	Bit 3	Bit 2	Bit 1	Bit 0
CAS	–	Key strobe	Keyscan	LCD1	LCD0	–	–
R	×	R/W-0	R/W-0	R/W-0	R/W-0	×	×

Bit 0~Bit 1 : Undefined register. These bits are unimplemented, not for use.

Bit 2~Bit 3 (LCD0~LCD1) : These two bits are used to enable/disable key scan and the LCD controller.

LCD1	LCD0	Sates
0	0	Keyscan disable (ignore Keyscan bit) External LCD controller disable
0	1	Keyscan disable (ignore Keyscan bit) External LCD controller disable
1	0	Keyscan disable (ignore Keyscan bit) External LCD controller disable
1	1	Keyscan enable (Keyscan bit must = 1) External LCD controller enable

Bit 4 (Keyscan) : Key scan function enable control bit.

0/1 → disable/enable

If Keyscan function is enabled (LCD0, LCD1 and Keyscan =1), Port 8 and Port 9 will be pulled high automatically and become key strobe pins.

The key scan waveform is as follows.

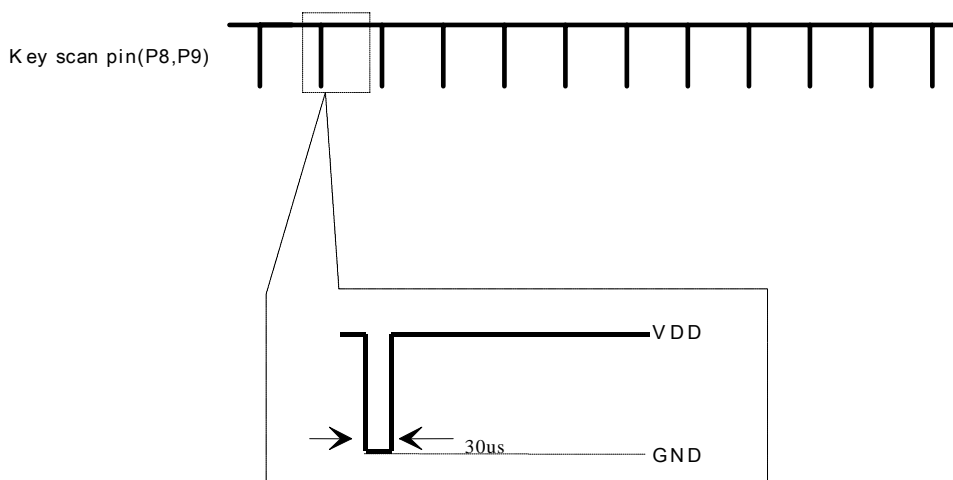


Fig.21 Keyscan Waveform

Bit 5 (KEYSTRB) : Key strobe enable control bit

0/1 → disable/enable

Key strobe signal , if you set this bit , the segment will switch to strobe signal temporally and output a zero signal (one instruction long) one by one from Port 80 to Port 87 and Port 90 to Port 97. During one strobe time, the CPU will check whether Port 7 (0:3) is equal to "1111" or not. If not, the CPU will latch a zero at RB Page 1 and RC Page 1 one by one depending on which segment strobe. After strobe, this bit will be cleared. Fig. 22 is a key strobe signal.

One instruction

STROBE	REGISTER															
	RB(0)	RB(1)	RB(2)	RB(3)	RB(4)	RB(5)	RB(6)	RB(7)	RC(0)	RC(1)	RC(2)	RC(3)	RC(4)	RC(5)	RC(6)	RC(7)
PORT80	0	1	1	1	1	1	1	1	1	1	1	1	1	1	1	1
PORT81	1	0	1	1	1	1	1	1	1	1	1	1	1	1	1	1
PORT82	1	1	0	1	1	1	1	1	1	1	1	1	1	1	1	1
PORT83	1	1	1	0	1	1	1	1	1	1	1	1	1	1	1	1
PORT84	1	1	1	1	0	1	1	1	1	1	1	1	1	1	1	1
PORT85	1	1	1	1	1	0	1	1	1	1	1	1	1	1	1	1
PORT86	1	1	1	1	1	1	0	1	1	1	1	1	1	1	1	1
PORT87	1	1	1	1	1	1	1	0	1	1	1	1	1	1	1	1
PORT90	1	1	1	1	1	1	1	1	0	1	1	1	1	1	1	1
PORT91	1	1	1	1	1	1	1	1	1	0	1	1	1	1	1	1
PORT92	1	1	1	1	1	1	1	1	1	1	0	1	1	1	1	1
PORT93	1	1	1	1	1	1	1	1	1	1	1	0	1	1	1	1
PORT94	1	1	1	1	1	1	1	1	1	1	1	1	0	1	1	1
PORT95	1	1	1	1	1	1	1	1	1	1	1	1	1	0	1	1
PORT96	1	1	1	1	1	1	1	1	1	1	1	1	1	1	0	1
PORT97	1	1	1	1	1	1	1	1	1	1	1	1	1	1	1	0

Fig.22 Key strobe Signal

Bit 6 Unused

The following figure shows the relationship between Keyscan, and Key strobe. Fig.24 is a Keyscan flow by interrupt trigger.

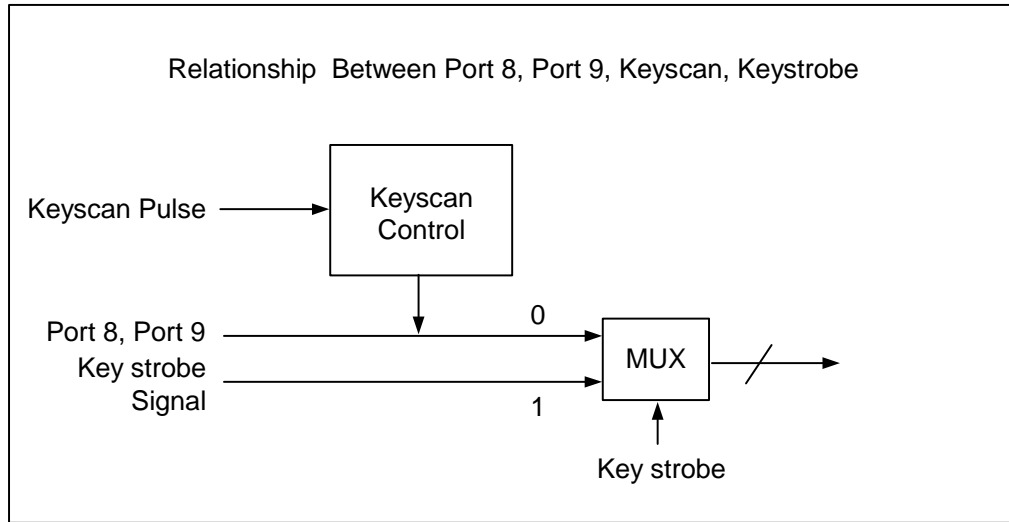


Fig. 23 Keyscan, Key strobe and Segments

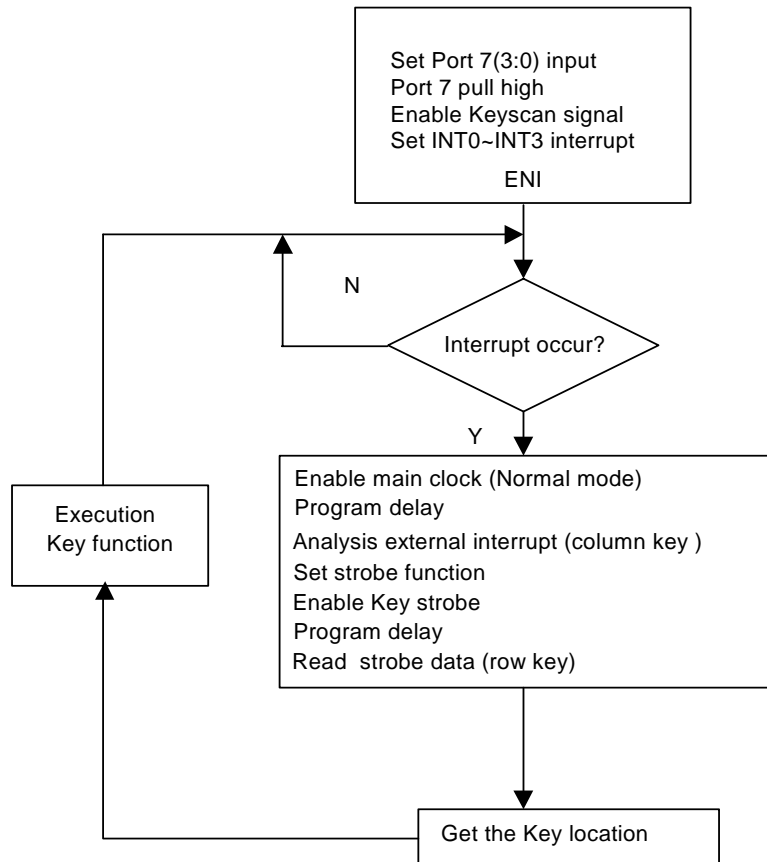


Fig. 24 Key Scan Flow By Interrupt Trigger

Bit 7 (CAS) : Call Waiting decoding output

0/1 → CW data valid / No data

7.2.20.4 Page 3 UART transmitter data buffer

Bit 7	Bit 6	Bit 5	Bit 4	Bit 3	Bit 2	Bit 1	Bit 0
URT7	URT6	URT5	URT4	URT3	URT2	URT1	URT0
R/W-X	R/W-X	R/W-X	R/W-X	R/W-X	R/W-X	R/W-X	R/W-X

Bit 0~Bit 7(URT0~URT7) : Low 8-bit UART transmitter data buffer

7.2.21 RF Interrupt flag

Bit 7	Bit 6	Bit 5	Bit 4	Bit 3	Bit 2	Bit 1	Bit 0
RBF/STD	FSK/CW	–	UART	DED	CNT2	CNT1	TCC
R/W-0	R/W-0	×	R/W-0	R/W-0	R/W-0	R/W-0	R/W-0

Note: "1" means interrupt request

"0" means non-interrupt

Bit 0 (TCC) : TCC timer overflow interrupt flag

Set when TCC timer overflows.

Bit 1 (CNT1) : Counter 1 timer overflow interrupt flag

Set when Counter 1 timer overflows.

Bit 2 (CNT2) : Counter 2 timer overflow interrupt flag

Set when Counter 2 timer overflows.

Bit 3 (DED) : Differential Energy Detector (DED) Interrupt flag output data. If DEDD (RE Page 2 Bit 7) has a falling edge signal (or falling & rising edge signal, switch by IOCE Page 1 Bit 5), the CPU will set this bit.

Bit 4 (UART) : Universal Asynchronous Receiver Transmitter interrupt flag. When the transmitter buffer is empty, receiver buffer full or receiver data error, this bit will be set.

Bit 5: Undefined register. These bits are unimplemented, not for use.

Bit 6 (FSK/CW) : FSK data or Call waiting data interrupt flag.

If FSKDATA or CAS has a falling edge trigger signal, the CPU will set this bit.

Bit 7 (RBF/STD) : SPI data transfer complete or DTMF receiver signal valid interrupt

If serial IO's RBF signal has a rising edge signal (RBF set to "1" when data is transferred completely), the CPU will set this bit. Or when the DTMF receiver's STD signal has a rising edge signal (the DTMF decodes a DTMF signal).

IOCF is the interrupt mask register. User can read and clear.

Trigger edge is shown in the following table:

Signal	Trigger	Remark
TCC	Time out	
Counter 1	Time out	8/16 bits select by CONT register
Counter 2	Time out	
DED	Signal detect	
UART	Receiver full, Transmitter empty or error (if enabled)	
FSK	Falling edge	
RBF/STD	Rising edge	

EM78815 MCU will store ACC, R3 status and R5 Page automatically after an interrupt is triggered. It will be restored after instruction "RETI".

7.2.21.1 Page 1 External Data ROM

Bit 7	Bit 6	Bit 5	Bit 4	Bit 3	Bit 2	Bit 1	Bit 0
EXA8	EXA7	EXA6	EXA5	EXA4	EXA3	EXA2	EXA1
R/W-0	R/W-0	R/W-0	R/W-0	R/W-0	R/W-0	R/W-0	R/W-0

Bit 0~Bit 7(EXA1~EXA8) : Expanding Data ROM start address A1~A8

7.2.21.2 Page 2 External Data ROM

Bit 7	Bit 6	Bit 5	Bit 4	Bit 3	Bit 2	Bit 1	Bit 0
EXA16	EXA15	EXA14	EXA13	EXA12	EXA11	EXA10	EXA9
R/W-0	R/W-0	R/W-0	R/W-0	R/W-0	R/W-0	R/W-0	R/W-0

Bit 0~Bit 7(EXA9~EXA16) : Expanding Data ROM start address A9~A16,,IOCB
Page 1 Bit 7 is the MSB (EXA17) for Expanding Data ROM start address.

7.2.21.3 Page 3 Unused

7.2.22 R10~R3F (General Purpose Register)

R10~R3F (Banks 0 ~ 3) : All of them are general purpose registers

7.3 Special Purpose Registers

7.3.1 A (Accumulator)

Internal data transfer, or instruction operand holding

It's not an addressable register.

7.3.2 CONT (Control Register)

Bit 7	Bit 6	Bit 5	Bit 4	Bit 3	Bit 2	Bit 1	Bit 0
INT/EDGE	INT	TS	DAEN	PAB	RSR2	RSR1	RSR0

Bit 0 ~ Bit 2 (PSR0 ~ PSR2) : TCC/WDT prescaler bits

PSR2	PSR1	PSR0	TCC Rate	WDT Rate
0	0	0	1:2	1:1
0	0	1	1:4	1:2
0	1	0	1:8	1:4
0	1	1	1:16	1:8
1	0	0	1:32	1:16
1	0	1	1:64	1:32
1	1	0	1:128	1:64
1	1	1	1:256	1:128

Bit 3 (PAB) : Prescaler assigned bit

0/1 → TCC/WDT

Bit 4 (DAEN) : Current DA enable control

0/1 → disable/enable

Bit 5 (TS) : TCC signal source

Instruction clock / 16.384kHz

Instruction clock = MCU clock/2, Refer to RA Bit 4 ~ Bit 6 for PLL and Main clock selection. See Fig.15.

Bit 6 (INT) : INT enable flag

0 → interrupt masked by DISI or hardware interrupt

1 → interrupt enabled by ENI/RETI instructions

Bit 7 (INT_EDGE) : interrupt edge type of P77

0 → P77 's interrupt source is a rising and falling edge signal.

1 → P77 's interrupt source is a falling edge signal.

The CONT register is readable (CONTR) and writable (CONTW). There is an 8-bit counter available as prescaler for the TCC or WDT. The prescaler is available for the TCC only or WDT only at the same time.

An 8-bit counter is available for TCC or WDT determined by the status of Bit 3 (PAB) of the CONT register. See the prescaler ratio in the CONT register. Fig. 25 depicts the circuit diagram of TCC/WDT. Both TCC and prescaler will be cleared by instructions which write to TCC each time. The prescaler will be cleared by the WDTIC and SLEP instructions, when in WDT mode.

The prescaler will not be cleared by SLEP instructions, when in TCC mode.

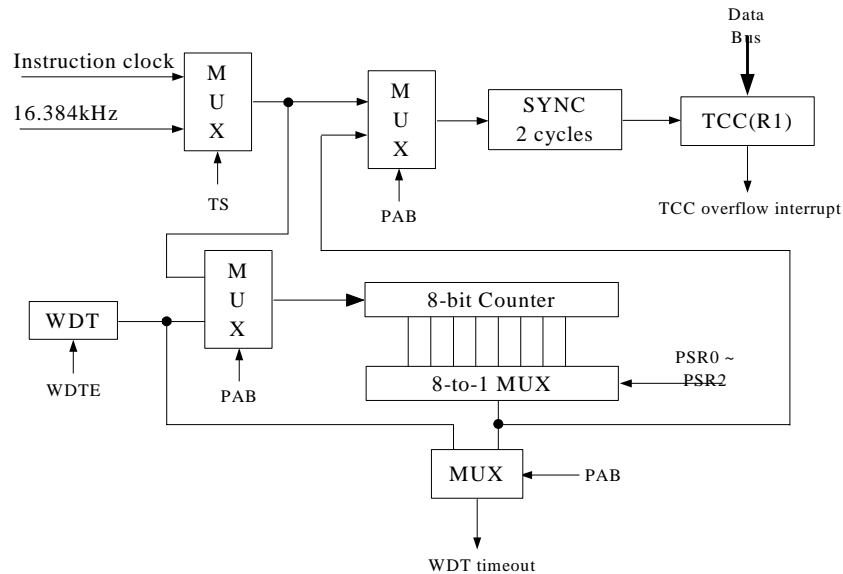


Fig. 25 Block Diagram of TCC and WDT

7.3.3 IOC5 Address Automatic Increase/Decrease Control, Data RAM Data Buffer 2

7.3.3.1 Page 0 Address Automatic Increase/Decrease control register

Bit 7	Bit 6	Bit 5	Bit 4	Bit 3	Bit 2	Bit 1	Bit 0
DA2_ID	DA1_ID	DO_ID	–	DA2_IDEN	DA1_IDEN	DO_IDEN	–
R/W-1	R/W-1	R/W-1	×	R/W-0	R/W-0	R/W-0	×

Bit 0 : Undefined register, not for use

Bit 1 (DO_IDEN) : Enable Data ROM address flag Increase/Decrease Enable Function.

If this bit is set, the Data ROM address will increase or decrease after accessing (read or write) the Data ROM. **When Expanded Data ROM is used, user can read or write into the external memory. By controlling RA Page 0 Bit 3, address auto increase/decrease function can be changed. Refer to RA Page 0 for detailed description.**

1/0 → Enable / Disable

Bit 2 (DA1_IDEN) : Enable Data RAM address Flag 1 (RD and RE register) Increase/Decrease Enable Function.

If this bit is set, the Data RAM address will increase or decrease after accessing (read or write) the Data RAM (RC register).

1/0 → Enable / Disable



Bit 3 (DA2_IDEN) : Enable Data RAM Address Flag 2 (IOC6 and IOC7)
Increase/Decrease Enable Function.

If this bit is set, the Data RAM address will increase or decrease after accessing (read or write) the Data RAM (IOC5 register).

1/0 → Enable / Disable

Bit 4 : Undefined register, not for use.

Bit 5 (DO_ID) : Data ROM address automatic increase/decrease switch. Set to 1 means auto_increase, clear to 0 means auto_decrease.

1/0 → auto increase / auto decrease

Bit 6 (DA1_ID) : Data RAM address (RD and RE register) automatic increase/decrease switch. Set to 1 means auto_increase, clear to 0 means auto_decrease.

1/0 → auto increase / auto decrease

Bit 7 (DA2_ID) : Data RAM address (IOC6 and IOC7 register) automatic increase/decrease switch. Set to 1 means auto_increase, clear to 0 means auto_decrease.

1/0 → auto increase / auto decrease

7.3.3.2 Page 1 Data RAM Data Buffer 2

Bit 7	Bit 6	Bit 5	Bit 4	Bit 3	Bit 2	Bit 1	Bit 0
RAM2D7	RAM2D6	RAM2D5	RAM2D4	RAM2D3	RAM2D2	RAM2D1	RAM2D0
R/W-X	R/W-X	R/W-X	R/W-X	R/W-X	R/W-X	R/W-X	R/W-X

Bit 0 ~ Bit 7 (RAM1D0 ~ RAM1D7) : Data RAM buffer for RAM reading or writing.

Location RC~RE Page 2, user can move a large number of continuous data from an address to another into the data RAM.

Example (move data from 0x0000 to 0x1000):

```

BC      R3 , @5
MOV    A , @0xF0      ;Enable Data RAM Flag 1 and Flag 2
                          ;auto_increase function

IOW    0x05

BS     R3 , @5      :Set corresponding page
BS     R3 , @6
BC     R3 , @7
MOV    A , @0x00      ;Assign Data RAM Index 1
                          ;start address "0x0000"

MOV    0x0D , A
MOV    0x0E , A
    
```



```

IOW  0x06          ; Assign DATA RAM Index 2 start
                          ; address "0x1000"

MOV   A , @0x10
IOW   0x07
MOV   A , 0x0C    ;Read data from Index 1(address:0x0000)
IOW   0x05        ;Write data to Index 2(address:0x1000)
MOV   A , 0x0C    ;Read data from Index 1(address:0x0001)
IOW   0x05        ;Write data to Index 2(address:0x1001)
:
:

```

7.3.4 IOC6 Port 6 I/O Control, Data RAM Address (L)

7.3.4.1 Page 0 Port 6 I/O Control

Bit 7	Bit 6	Bit 5	Bit 4	Bit 3	Bit 2	Bit 1	Bit 0
IOC67	IOC66	IOC65	IOC64	IOC63	IOC62	IOC61	IOC60
R/W-1	R/W-1	R/W-1	R/W-1	R/W-1	R/W-1	R/W-1	R/W-1

Bit 0~Bit 7 (IOC60 ~ IOC67) : Port 6 (0~7) I/O direction control register

0 → put the relative I/O pin as output

1 → put the relative I/O pin into high impedance

7.3.4.2 Page 1 Data RAM Address 2 (L)

Bit 7	Bit 6	Bit 5	Bit 4	Bit 3	Bit 2	Bit 1	Bit 0
RAM2A7	RAM2A6	RAM2A5	RAM2A4	RAM2A3	RAM2A2	RAM2A1	RAM2A0
R/W-X	R/W-X	R/W-X	R/W-X	R/W-X	R/W-X	R/W-X	R/W-X

Bit 0~Bit 7 (RAM2A0 ~ RAM2A7) : Data RAM address (Address 0 to Address 7) for RAM reading or writing

7.3.5 IOC7 PORT 7 I/O Control, Data RAM Address 2 (H)

7.3.5.1 Page 0 Port 7 I/O Control

Bit 7	Bit 6	Bit 5	Bit 4	Bit 3	Bit 2	Bit 1	Bit 0
IOC77	IOC76	IOC75	IOC74	IOC73	IOC72	IOC71	IOC70
R/W-1	R/W-1	R/W-1	R/W-1	R/W-1	R/W-1	R/W-1	R/W-1

Bit 0~Bit 7 (IOC70 ~ IOC77) : Port 7(0~7) I/O direction control register

0 → relative I/O pin as output

1 → relative I/O pin into high impedance

7.3.5.2 Page 1 Data RAM Address 2 (H)

Bit 7	Bit 6	Bit 5	Bit 4	Bit 3	Bit 2	Bit 1	Bit 0
–	–	–	–	RAM2A11	RAM2A10	RAM2A9	RAM2A8
x	x	x	x	R/W-X	R/W-X	R/W-X	R/W-X

Bit 0~Bit 3 (RAM2A8 ~ RAM2A11) : Data RAM address (Address 8 to Address 11)
for RAM reading or writing

Bit 4~Bit 7 : Undefined register, not for use.

7.3.6 IOC8 Port 8 I/O Control

7.3.6.1 Page 0 Port 8 I/O Control

Bit 7	Bit 6	Bit 5	Bit 4	Bit 3	Bit 2	Bit 1	Bit 0
IOC87	IOC86	IOC85	IOC84	IOC83	IOC82	IOC81	IOC80
R/W-1	R/W-1	R/W-1	R/W-1	R/W-1	R/W-1	R/W-1	R/W-1

Bit 0 ~ Bit 7 (IOC80 ~ IOC87) : Port 8 (0~7) I/O direction control register

0 → puts the relative I/O pin as output

1 → puts the relative I/O pin into high impedance

7.3.6.2 Page 1 Undefined register

This register is unimplemented, not for use.

7.3.7 IOC9 Port 9 I/O Control

7.3.7.1 Page 0 Port 9 I/O Control

Bit 7	Bit 6	Bit 5	Bit 4	Bit 3	Bit 2	Bit 1	Bit 0
IOC97	IOC96	IOC95	IOC94	IOC93	IOC92	IOC91	IOC90
R/W-1	R/W-1	R/W-1	R/W-1	R/W-1	R/W-1	R/W-1	R/W-1

Bit 0 ~ Bit 7 (IOC90 ~ IOC97) : Port 9 (0~7) I/O direction control register

0 → puts the relative I/O pin as output

1 → puts the relative I/O pin into high impedance

7.3.7.2 Page 1 Undefined register

This register is unimplemented, not for use.

7.3.8 IOCA Undefined Register

IOCA Page 0 and Page 1 are unimplemented, not for use.

7.3.9 IOCB Port B I/O Control, External LCD Driver Interface (for EMC 65x132)

7.3.9.1 Page 0 Port B I/O Control

Bit 7	Bit 6	Bit 5	Bit 4	Bit 3	Bit 2	Bit 1	Bit 0
IOCB7	IOCB6	IOCB5	IOCB4	IOCB3	IOCB2	IOCB1	IOCB0
R/W-1	R/W-1	R/W-1	R/W-1	R/W-1	R/W-1	R/W-1	R/W-1

Bit 0~Bit 7 (IOCB0~IOCB7) : Port B(0~7) I/O direction control register

0 → puts the relative I/O pin as output

1 → puts the relative I/O pin into high impedance

7.3.9.2 Page 1 External LCD Driver Controller

Bit 7	Bit 6	Bit 5	Bit 4	Bit 3	Bit 2	Bit 1	Bit 0
EXA17	CWPWR	×	×	CSS	CSSON	DIS	EXLCD
R/W-0	R/W-0	×	×	R/W-0	R/W-0	R/W-0	R/W-0

Bit 0(EXLCD) : External LCD driver enable/disable

0/1 → Port B, Port C normal IO/External LCD driver control (RE Page 2 LCD0, LCD1 = 1)

If EXLCD is equal to 0, Port B and Port C output are normal IO. When EXLCD is equal to 1, Port B and Port C are switch to external LCD driver control pin. At this time, when user executes a read or write Port B instruction, Port C timing characteristic is shown below:

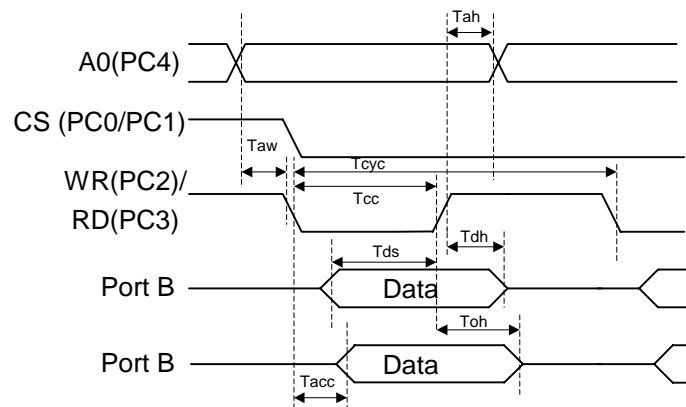


Fig. 26 Timing Characteristics of the External LCD Driver Data Read/Write

Symbol	Applicable Pins	Rated Value		Unit
		Min.	Max.	
Tah	A0	0	-	ns
Taw	A0	0	-	
Tcyc	A0	150	-	
Tcc	WR/RD	60	-	
Tds	D0 ~D7	20	-	
Tdh	D0 ~D7	10	-	
Tacc	D0 ~D7	-	60	
Toh	D0 ~D7	10	40	

Tah : Address hold time

Taw : Address set-up time

Tcyc : System cycle time

Tcc : Pulse width

Tds : Data set-up time

Tdh : Data hold time

Tacc : Read access time

Toh : Output disable time

User can operate in coordination with the on-chip Data ROM address automatic increase function to write a large number of data from the internal Data ROM to the external LCD RAM.

Example (To collocate EM9L8580 LCD driver):

START:

```

MOV  A , @0x0C;
IOW  IOC5_PAGE0      ;Set Data ROM address automatic increase
                          ;after read/write data

MOV  A , @0x09
IOW  IOCB_PAGE1      ;External LCD driver Chip 1 Instruction mode
                          ;select

MOV  A , @0xB0;
MOV  RB_PAGE0 , A    ;Set external LCD driver start address Page 0
MOV  A , @0x10
MOV  RB_PAGE0 , A
MOV  A , @0x00
MOV  RB_PAGE0 , A    ; Set external LCD driver start address Column 0
MOV  A , @0x00;

```

```

MOV R7_PAGE1 , A;
MOV R8_PAGE1 , A;
MOV R9_PAGE1 , A ;Start address: 0x00000
MOV A , @0x0B
IOW IOCB_PAGE1 ;select data mode
CN1:
MOV A , R6_PAGE1 ;read data from Data ROM and address flag
;increase
MOV RB_RAGE0 , A ;write data to external LCD driver
JMP LOOP

```

Bit 1 (DIS) : External LCD driver Data/Instruction switch

0/1 → Instruction/Data

When EXLCD is equal to 1 and DIS bit equal to 0, the MCU will transmit/receive instruction. A0 (Port C7) will output a “0”. If the DIS bit is set to 1, the MCU will transmit/receive data. A0 (Port C4) will output a “1”.

Bit 2 (CSSON) : External LCD driver select enable

CSSON	CSS0	CS1..CS2	
		Low	High
0	×	–	CS1, CS2
1	0	CS1	CS2
1	1	CS2	CS1

Example for EMC 65x132 LCD driver :

```

MOV A, @0x01
IOW IOCB_PAGE1 ;Select external LCD driver & Instruction
;mode
MOV A,@0xB0
MOV RB,A ;Select external LCD driver COM0
MOV A,@0x10
MOV RB,A ;Select external LCD driver SEG Upper 4 bit = 0
MOV A,@0x00
MOV RB,A ;Select external LCD driver SEG Lower 4 bit = 0
MOV A,@0x03
IOW IOCB_PAGE1 ;Switch to DATA mode
MOV A,@0xFF
MOV RB,A ;Write 0xFF to COM0 &SEG0
:

```

User must assign an external LCD address for the first time. After writing or reading the display data, the Segment address is automatically incremented. Hence, the MCU can continuously write or read data to the address.

Bit 3 (CSS) : External LCD driver chip select bit

0/1 → Chip 1 / Chip 2

Bit 4 ~ Bit 5 : Unused

Bit 6(CWPWR) : CAS Decoder Power Control

0/1 → Power off / Power on

Bit 7 (EXA17) : Expanded Data ROM start address MSB. This bit can be set only at the connected pin "EXSAL" to VDD.

7.3.10 IOCC Port C I/O Control, Port 6 Pull-high Register

7.3.10.1 Page 0 Port C I/O Control

Bit 7	Bit 6	Bit 5	Bit 4	Bit 3	Bit 2	Bit 1	Bit 0
IOCC7	IOCC6	IOCC5	IOCC4	IOCC3	IOCC2	IOCC1	IOCC0
R/W-1	R/W-1	R/W-1	R/W-1	R/W-1	R/W-1	R/W-1	R/W-1

Bit 0~Bit 7 (IOCC0~IOCC7) : Port C (0~7) I/O direction control register

0 → puts the relative I/O pin as output

1 → puts the relative I/O pin into high impedance

7.3.10.2 Page 1 Port 6 Pull-high Register

Bit 7	Bit 6	Bit 5	Bit 4	Bit 3	Bit 2	Bit 1	Bit 0
PH67	PH66	PH65	PH64	PH63	PH62	PH61	PH60
R/W-0	R/W-0	R/W-0	R/W-0	R/W-0	R/W-0	R/W-0	R/W-0

Bit 0~Bit 7(PH60~PH67) : PORT6(0~7) pull high control register

0 → disable pull-high function

1 → enable pull-high function

7.3.11 IOCD Port D I/O Control, Port 7 Pull-high Register

7.3.11.1 Page 0 Port D I/O Control

Bit 7	Bit 6	Bit 5	Bit 4	Bit 3	Bit 2	Bit 1	Bit 0
IOCD7	IOCD6	IOCD5	IOCD4	IOCD3	IOCD2	IOCD1	IOCD0
R/W-1	R/W-1	R/W-1	R/W-1	R/W-1	R/W-1	R/W-1	R/W-1

Bit 0~Bit 6 (IOCD0~IOCD6) : Port D (0~6) I/O direction control register

0 → puts the relative I/O pin as output

1 → puts the relative I/O pin into high impedance

7.3.11.2 Page 1 Port 7 Pull High Register

Bit 7	Bit 6	Bit 5	Bit 4	Bit 3	Bit 2	Bit 1	Bit 0
PH77	PH76	PH75	PH74	PH73	PH72	PH71	PH70
R/W-0	R/W-0	R/W-0	R/W-0	R/W-0	R/W-0	R/W-0	R/W-0

Bit 0~Bit 7(PH70~PH77) : Port 7(0~7) pull high control register

0 → disable pull-high function

1 → enable pull-high function

7.3.12 IOCE Interrupt Mask, Differential Energy Detect
7.3.12.1 Page 0 Interrupt Mask Register 1

Bit 7	Bit 6	Bit 5	Bit 4	Bit 3	Bit 2	Bit 1	Bit 0
INT7	INT6	INT5	INT4	INT3	INT2	INT1	INT0
R/W-0	R/W-0	R/W-0	R/W-0	R/W-0	R/W-0	R/W-0	R/W-0

Bit 0~Bit 7 : Interrupt enable bits

0/1 → disable interrupt/enable interrupt

7.3.12.2 Page 1 Differential Energy Detect

Bit 7	Bit 6	Bit 5	Bit 4	Bit 3	Bit 2	Bit 1	Bit 0
VRSEL	DEDD	EDGE	WUEDD	CW_SMB	DEDCLK	DEDPWR	DEDTHD
R/W-0	R	R/W-0	R/W-0	R/W-0	R/W-0	R/W-0	R/W-0

Bit 0 (DEDTHD) : Minimum detection threshold for Differential Energy Detector (DED)

0/1 → -45dBm/-30dBm

Bit 1 (DEDPWR) : Power control of Differential Energy Detector (DED)

0/1 → Power off / Power on

Bit 2 (DEDCLK) : Operating clock for Differential Energy Detector (DED)

0/1 → 32.768kHz/3.5826 MHz

This bit is used to select operating clock for the Differential Energy Detector (DED). When this bit is set to "1", the PLL is also enabled regardless of RA Bit 6 (ENPLL). During this time, the Energy detector works at high frequency mode. When this bit is set to "0", the Energy Detector works at a low frequency mode. The difference between high frequency and low frequency is as follows.

DEDPWR	DEDCLK	ENPLL	Energy Detector Clock	Main CLK
0	x	x	x	Determined by ENPLL
1	0	0	32.768 kHz	Disable
1	0	1	32.768 kHz	Enable
1	1	0	3.5826 MHz	Enable
1	1	1	3.5826 MHz	Enable

Note: "x" means don't care

Bit 3(CW_SMB) : Call Waiting / short message receiver switch

0 → Short message mode select $\pm 5.5\%$ CAS tone accepted frequency range deviation. (Protocol: $\pm 5\%$)

1 → Call Waiting mode select $\pm 2.0\%$ CAS tone accepted frequency range deviation.

Bit 4 (WUEDD) : Wake-up control for the Energy Detector (DED) output data

1/0 → enable/disable

Bit 5 (EDGE) : Wake-up and interrupt triggering edge control of the Energy Detector (DED) output

1/0 → Rising edge and Falling edge trigger / Falling edge trigger

Bit 6(DED) : Output data for Differential Energy Detector (DED). If the input signal from TIP/EGIN1 and RING/EGIN2 pins to Differential Energy Detector is over the threshold level setting at IOCE Page 2 Bit 0 (DEDTHD), the DED will extract the zero-crossing pulse waveform corresponding to the input signal.

Bit 7 (VRSEL) : Reference voltage VR selection bit for Comparator

0 → VR = VDD

1 → VR = 2.0V

When this bit is set to "0", V2_0 reference circuit will be powered off. The 2.0V reference circuit is only powered on when this bit and RA Page 2 bit 7 (CMPEN) are all set to "1".

7.3.13 IOCF Interrupt Mask Register 2

Bit 7	Bit 6	Bit 5	Bit 4	Bit 3	Bit 2	Bit 1	Bit 0
RBF/STD	FSK/CW	–	UART	DED	CNT2	CNT1	TCC
R/W-0	R/W-0	×	R/W-0	R/W-0	R/W-0	R/W-0	R/W-0

Bit 0~Bit 7 : Interrupt enable bits

0/1 → Disable interrupt/enable interrupt

7.4 I/O Port

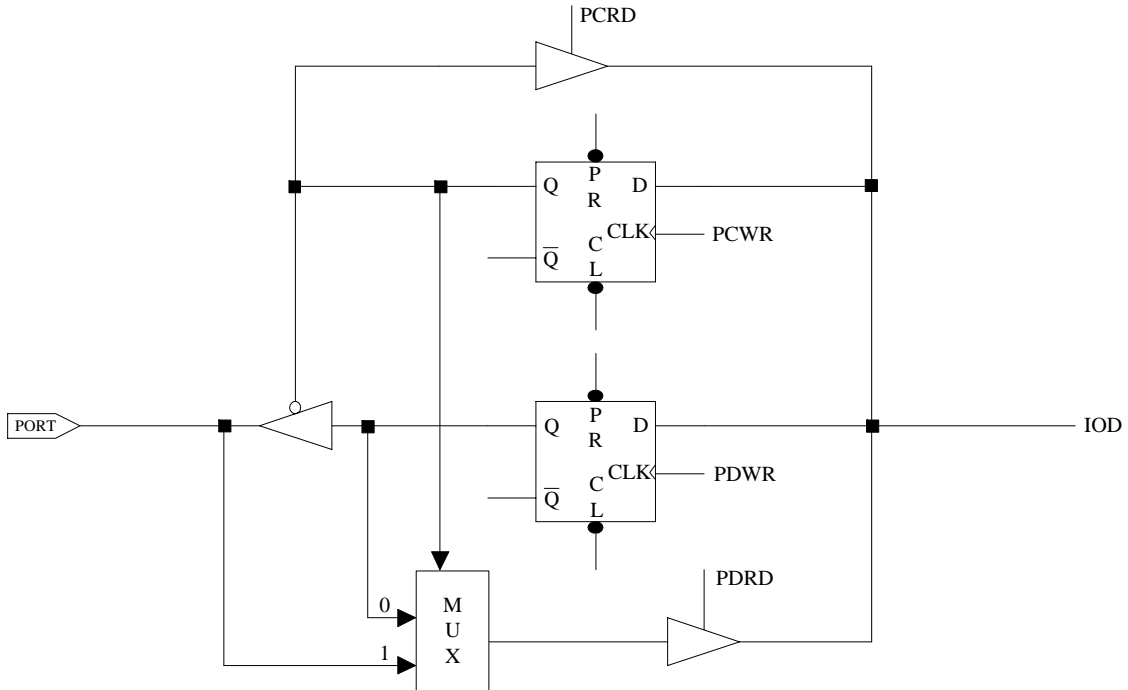


Fig. 27 I/O Port and I/O Control Register Circuit

The I/O registers are bi-directional tri-state I/O ports. The I/O ports can be defined as "input" or "output" pins by the I/O control registers under program control. The I/O registers and I/O control registers are both readable and writable. The I/O interface circuit is shown in Fig. 27.

- * **The MCU will have a large current consumption when the IO is set to input and at floating state. Be careful to set unused IO to output or connect them to VDD or GND when they are set to input status.**

7.5 Reset

The Reset can be caused by:

- (1) Power-on voltage detector reset (POVD) and power on reset
- (2) WDT time-out (if enabled and in Green or Normal mode)
- (3) /Reset pin pull low

NOTE

In Case (1), the POVD is controlled by Code Option. If you enable POVD, the CPU will reset at 2V and below, thus, the CPU will consume more current, which is 3μA. The power-on reset circuit is always enabled. It will reset the CPU at 1.4V and consume 0.5μA.

Once a Reset occurs, the following functions are performed:

- The oscillator is running, or will be started
- The Program Counter (R2) is set to all "0"
- When powered on, the upper 3 bits of R3 and the upper 2 bits of R4 are cleared
- The Watchdog timer and prescaler counter are cleared
- The Watchdog timer is disabled
- The CONT register is set to all "1"
- The other register (Bit 7 ~ Bit 0)

Address	R Register Page 0	R Register Page 1	R Register Page 2	R Register Page 3	IOC Register Page 0	IOC Register Page 1
1	xxxx xxxx	0000 0000	0000 0000	xxxx xxxx	--	--
4	00xx xxxx	xxxx xxxx	xxxx xxxx	xxxx xxxx	--	--
5	x000 0000	0000 0000	0000 0000	xxxx 0000	1111 0000	xxxx xxxx
6	xxxx xxxx	xxxx xxxx	0000 0000	0000 0000	1111 1111	xxxx xxxx
7	xxxx xxxx	xxxx xxxx	0000 0000	0000 0000	1111 1111	xxxx xxxx
8	xxxx xxxx	xxxx xxxx	xxxx 0000	xxxx xxxx	1111 1111	00000000
9	xxxx xxxx	xxxx xxxx	0000 0xxx	xxxx x000	1111 1111	00000000
A	0000 0xx0	xxxx xxxx	0000 0000	0000 0000	xxxx xxxx	xxxx xxxx
B	xxxx xxxx	xxxx xxxx	1111 1111	0000 0000	1111 1111	00xx 0000
C	xxxx xxxx	xxxx xxxx	1111 1111	xxxx xxxx	1111 1111	0000 0000
D	xxxx xxxx	xxxx xxxx	xxxx xxxx	xxxx xxxx	1111 1111	0000 0000
E	0000 0000	xxxx xxxx	xx00 xxxx	xxxx xxxx	0000 0000	0x00 0000
F	00xx 0000	0000 0000	0000 0000	xxxx xxxx	0000 0000	--

7.6 Wake-up

The controller provides a power saving mode:

- (1) Sleep mode, RA (7) = 0 + "SLEP" instruction

The controller will turn off all the CPU and crystal. User has to turn off by software all the other circuits with power control like Keytone control or PLL control (which has an enable register).

Wake-up from Sleep mode:

- (1) WDT time out
- (2) External interrupt
- (3) /Reset pull low

All these cases will reset the controller, and run the program at address zero. The status is the same as that of the power-on reset.

7.7 Interrupt

RE and RF are the interrupt status registers which record the interrupt request in flag bits. The IOCE and IOCF are the interrupt mask registers. The TCC timer, Counter 1 and Counter 2 are internal interrupt sources. P70 ~ P77 (INT0 ~ INT7) are external interrupt input with external interrupt sources. If the interrupts come from these interrupt sources, then the RE or RF register will generate a '1' flag to the corresponding register if the IOCE or IOCF registers are enabled. Global interrupt is enabled by ENI instruction and is disabled by DISI instruction. When one of the interrupts (when enabled) is generated, it will cause the next instruction to be fetched from address 008H. Once in the interrupt service routine, the source of the interrupt can be determined by polling the flag bits in the RE and RF registers. The interrupt flag bit must be cleared by software before leaving the interrupt service routine and enabling interrupts, to avoid recursive interrupts.

7.8 Instruction Set

Instruction set has the following features:

- (1) Every bit of any register can be set, cleared, or tested directly.
- (2) The I/O register can be regarded as general register. That is, the same instruction can operate on I/O register.

The symbol "R" represents a register designator which specifies which one of the 64 registers (including operational registers and general purpose registers) is to be utilized by the instruction. Bits 6 and 7 in R4 determine the selected register bank. "b" represents a bit field designator which selects the number of the bit, located in the register "R", affected by the operation. "k" represents an 8 or 10-bit constant or literal value.

Legend: **addr:** address **i:** Table pointer control **p:** special file register (0h~1Fh)
b: bit **k:** constant **r:** File Register

Binary Instruction	Hex	Mnemonic	Operation	Status Affected	Instruction Cycle
0 0000 0000 0000	0000	NOP	No Operation	None	1
0 0000 0000 0001	0001	DAA	Decimal Adjust A	C	1
0 0000 0000 0010	0002	CONTW	A → CONT	None	1
0 0000 0000 0011	0003	SLEP	0 → WDT, Stop oscillator	T, P	1
0 0000 0000 0100	0004	WDTC	0 → WDT	T, P	1
0 0000 0000 rrrr	000r	IOW R	A → IOCR	None	1
0 0000 0001 0000	0010	ENI	Enable Interrupt	None	1
0 0000 0001 0001	0011	DISI	Disable Interrupt	None	1
0 0000 0001 0010	0012	RET	[Top of Stack] → PC	None	2
0 0000 0001 0011	0013	RETI	[Top of Stack] → PC Enable Interrupt	None	2
0 0000 0001 0100	0014	CONTR	CONT → A	None	1
0 0000 0001 rrrr	001r	IOR R	IOCR → A	None	1
0 0000 0010 0000	0020	TBL	R2 + A → R2 bits 9, 10 do not clear	Z, C, DC	2
0 0000 01rr rrrr	00rr	MOV R,A	A → R	None	1
0 0000 1000 0000	0080	CLRA	0 → A	Z	1
0 0000 11rr rrrr	00rr	CLR R	0 → R	Z	1
0 0001 00rr rrrr	01rr	SUB A,R	R-A → A	Z, C, DC	1
0 0001 01rr rrrr	01rr	SUB R,A	R-A → R	Z, C, DC	1
0 0001 10rr rrrr	01rr	DECA R	R-1 → A	Z	1
0 0001 11rr rrrr	01rr	DEC R	R-1 → R	Z	1
0 0010 00rr rrrr	02rr	OR A,R	A ∨ R → A	Z	1
0 0010 01rr rrrr	02rr	OR R,A	A ∨ R → R	Z	1
0 0010 10rr rrrr	02rr	AND A,R	A & R → A	Z	1
0 0010 11rr rrrr	02rr	AND R,A	A & R → R	Z	1
0 0011 00rr rrrr	03rr	XOR A,R	A ⊕ R → A	Z	1
0 0011 01rr rrrr	03rr	XOR R,A	A ⊕ R → R	Z	1
0 0011 10rr rrrr	03rr	ADD A,R	A + R → A	Z, C, DC	1
0 0011 11rr rrrr	03rr	ADD R,A	A + R → R	Z, C, DC	1
0 0100 00rr rrrr	04rr	MOV A,R	R → A	Z	1
0 0100 01rr rrrr	04rr	MOV R,R	R → R	Z	1
0 0100 10rr rrrr	04rr	COMA R	/R → A	Z	1
0 0100 11rr rrrr	04rr	COM R	/R → R	Z	1
0 0101 00rr rrrr	05rr	INCA R	R+1 → A	Z	1
0 0101 01rr rrrr	05rr	INC R	R+1 → R	Z	1
0 0101 10rr rrrr	05rr	DJZA R	R-1 → A, skip if zero	None	2 if skip
0 0101 11rr rrrr	05rr	DJZ R	R-1 → R, skip if zero	None	2 if skip
0 0110 00rr rrrr	06rr	RRCA R	R(n) → A(n-1) R(0) → C, C → A(7)	C	1
0 0110 01rr rrrr	06rr	RRC R	R(n) → R(n-1) R(0) → C, C → R(7)	C	1
0 0110 10rr rrrr	06rr	RLCA R	R(n) → A(n+1) R(7) → C, C → A(0)	C	1
0 0110 11rr rrrr	06rr	RLC R	R(n) → R(n+1) R(7) → C, C → R(0)	C	1

Binary Instruction	Hex	Mnemonic	Operation	Status Affected	Instruction Cycle
0 0111 00rr rrrr	07rr	SWAPA R	R(0-3) → A(4-7) R(4-7) → A(0-3)	None	1
0 0111 01rr rrrr	07rr	SWAP R	R(0-3) ↔ R(4-7)	None	1
0 0111 10rr rrrr	07rr	JZA R	R+1 → A, skip if zero	None	2 if skip
0 0111 11rr rrrr	07rr	JZ R	R+1 → R, skip if zero	None	2 if skip
0 100b brrr rrrr	0xxx	BC R,b	0 → R(b)	None	1
0 101b brrr rrrr	0xxx	BS R,b	1 → R(b)	None	1
0 110b brrr rrrr	0xxx	JBC R,b	if R(b)=0, skip	None	2 if skip
0 111b brrr rrrr	0xxx	JBS R,b	if R(b)=1, skip	None	2 if skip
1 00kk kkkk kkkk	1kkk	CALL k	PC+1 → [SP] (Page, k) → PC	None	2
1 01kk kkkk kkkk	1kkk	JMP k	(Page, k) → PC	None	2
1 1000 kkkk kkkk	18kk	MOV A,k	k → A	None	1
1 1001 kkkk kkkk	19kk	OR A,k	A ∨ k → A	Z	1
1 1010 kkkk kkkk	1Akk	AND A,k	A & k → A	Z	1
1 1011 kkkk kkkk	1Bkk	XOR A,k	A ⊕ k → A	Z	1
1 1100 kkkk kkkk	1Ckk	RETL k	k → A, [Top of Stack] → PC	None	2
1 1101 kkkk kkkk	1Dkk	SUB A,k	k-A → A	Z, C, DC	1
1 1110 0000 0001	1E01	INT	PC+1 → [SP] 001H → PC	None	1
1 1110 1kkk kkkk	1E8k	PAGE k	K → R5(4:0)	None	1
1 1111 kkkk kkkk	1Fkk	ADD A,k	k+A → A	Z, C, DC	1

Note: One instruction cycle = 2 main clock

7.9 Code Option Register

The controller has one Code option register which is not part of the normal program memory. The option bits cannot be accessed during normal program execution.

7.9.1 Code Option Register 1 (Program ROM)

Bit 7	Bit 6	Bit 5	Bit 4	Bit 3	Bit 2	Bit 1	Bit 0
-	-	-	-	-	-	/DED	/POVD

Bit 0 (/POVD) : Power-on Voltage Detector

0/1 → Enable / disable the Voltage Detector

/POVD	2.2V /POVD Reset Voltage	2.2V Power-on Reset Voltage	Sleep Mode Current (VDD=5V)
1	No	Yes (2.2V)	1μA
0	Yes (2.2V)	No	15μA

Bit 1(/DED) : Differential Energy Detect function enable bit

0/1 → Enable / disable DED function

7.10 Call Waiting Function Description

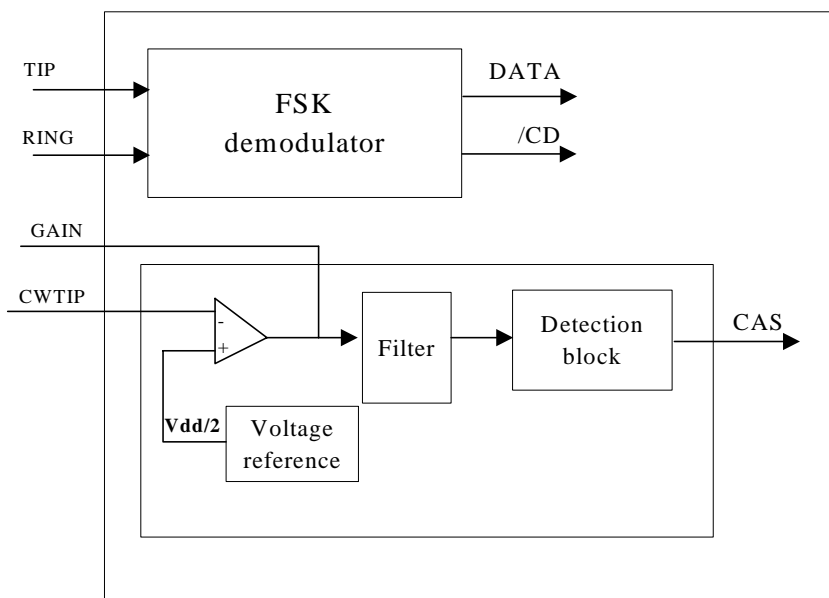


Fig.28 Call Waiting Block Diagram

Call Waiting service works by alerting a customer engaged in a telephone call to a new incoming call. This way the customer can still receive important calls while engaged in a current call. The Call Waiting Decoder can detect CAS (Call-Waiting Alert Signal 2130Hz plus 2750Hz) and generate a valid signal on the data pins.

The call waiting decoder is designed to support the Caller Number Deliver feature, which is offered by regional Bell Operating Companies.

In a typical application, after enabling the CW circuit (by R5 Page 3 Bit 3 & Bit 4) this IC receives Tip and Ring signals from twisted pairs. The signals as inputs by the pre-amplifier, and the amplifier sends input signal to a band pass filter. Once the signal is filtered, the Detection block decodes the information and sends it to RE Page 2 Bit 7. The output data is made available at RE CAS bit.

The data is CAS signals. The CAS is normal high. When this IC detects a 2130Hz and a 2750Hz frequency, the CAS pin goes to low.

7.11 Differential Energy Detector (DED)

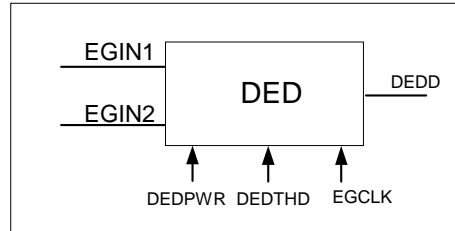


Fig.29 DED Block Diagram

The Differential Energy Detector is differential input level and zero crossing detector named as DED. It can detect any incoming AC signal above its threshold level and outputs a corresponding zero-crossing frequency pulse. For this energy detector, user can set its minimum detection threshold level at -35dBm or -45dBm through the DEDTHD bit. All the minimum detection value can be achieved under an input capacitor of more than 4700 pF and input resistor of $100\text{ k}\Omega$. The energy detector can be power-controlled by IOCE Page 1 Bit 1 (DEDPWR).

Register bits of the Energy Detector :

Register Bits	Descriptions
RF Page 0 Bit 3 (DED)	DED : Interrupt flag of DED output data
IOCE Page 1 Bit 7 (DEDD)	DEDD : Output data of DED
IOCE Page 1 Bit 5 (EDGE)	EDGE : edge control of DED output data 1/0 → Falling edge trig. / Rising edge and Falling edge trig.
IOCE Page 1 Bit 4 (WUEDD)	WUEDD : Wake-up control of DED output data 1/0 → enable/disable
IOCE Page 1 Bit 6 (DED)	DED : Interrupt mask of DED output data 1/0 → enable/disable interrupt of DED output data
IOCE Page 1 Bit 0 (DEDTHD)	DEDTHD : Minimum detection threshold of DED 0/1 → $-45\text{dBm}/-30\text{dBm}$
IOCE Page 1 Bit 1 (DEDPWR)	DEDPWR : Power control of DED 0/1 → power off/power on
IOCE Page 1 Bit 2 (DEDCLK)	DEDCLK : operating clock of DED 0 : low frequency clock 1 : high frequency clock

8 Absolute Maximum Ratings

Rating	Symbol	Min.	Typ.	Max.	Unit
DC Supply Voltage	VDD	-0.3		6	V
Input Voltage	V _{in}	VDD-0.5	VDD	VDD+0.5	V
Operating Temperature Range	T _a	0	25	70	°C

9 DC Electrical Characteristic

(Operation current consumption for Analog circuit)

Parameter	Symbol	Condition	Min.	Typ.	Max.	Unit
Operation current for FSK	I_FSK	VDD=3V, CID power on	–	1.5	2.5	mA
Operation current for CW	I_CW	VDD=5V, CID power on	–	1.5	2.5	mA
Operation current for DTMF Receiver	I_DR	VDD=3V, DTMFr power on	–	1.5	2.5	mA
Operation current for Tone generator	I_DTMF	VDD=3V, DTMF power on	–	0.5	0.8	mA
Operation current for Current DA	I_DA	VDD=3V, CDA power on	–	1.5	4	mA
Operation current for Comparator	I_CMP	VDD=5V, PT power on	–	0.1	–	mA

(T_a=0°C ~ 70°C, VDD=3V ± 5%, VSS=0V)

Parameter	Symbol	Condition	Min.	Typ.	Max.	Unit
Input Leakage Current for input pins	IIL1	V _{IN} = VDD, VSS	–	–	±1	μA
Input Leakage Current for bidirectional pins	IIL2	V _{IN} = VDD, VSS	–	–	±1	μA
Input High Voltage	V _{IH}	–	2.0	–	–	V
Input Low Voltage	V _{IL}	–	–	–	0.8	V
Input high threshold Voltage	V _{IHT}	/RESET, TCC, RDET1	2.0	–	–	V
Input low threshold Voltage	V _{IILT}	/RESET, TCC, RDET1	–	–	0.8	V
Clock Input High Voltage	V _{IHX}	OSCI	1.8	–	–	V
Clock Input Low Voltage	V _{ILX}	OSCI	–	–	1.2	V
Output High Voltage (Ports 8, 9, B, C, D)	V _{OH1}	I _{OH} = -6mA	2.0	2.4	–	V
Output High Voltage (Ports 6, 7)	–	I _{OH} = -10.0mA	2.0	2.4	–	V
Output Low Voltage (Ports 8, 9, B, C, D)	V _{OL1}	I _{OL} = 6mA	–	–	0.4	V
Output Low Voltage (Port 6, 7)	–	I _{OL} = 10.0mA	–	–	0.4	V
Pull-high current	I _{PH}	Pull-high active input pin at VSS	–	-10	-15	μA
Power-down current (Sleep mode)	I _{SB1}	All input and I/O pins at VDD, output pin floating, WDT disabled	–	1	4	μA

Parameter	Symbol	Condition	Min.	Typ.	Max.	Unit
Low clock current (Green mode)	ISB2	All input and I/O pins at VDD, CLK=32.768kHz, WDT disabled, Output pin floating All analog circuit disabled	–	30	40	μA
Operating supply current (Normal mode)	ICC	/Reset=High, PLL enable CLK=3.579MHz, Output pin floating, All analog circuits disabled		2	3	mA
Tone generator reference voltage	Vref2	–	0.5		0.7	VDD

Differential Energy Detector (DED), (Ta=25°C, VDD=3.0V ± 5%, VSS=0V)

Symbol	Parameter	Condition	Min.	Typ.	Max.	Unit
EGIN1	Operating current for SED	SEDCLK bit = 0		20	25	μA
EGIN2	Operating current for SED	SEDCLK bit = 0		20	25	μA

10 AC Electrical Characteristic

CPU Instruction Timing (Ta=25°C, VDD=3V, VSS=0V)

Parameter	Symbol	Condition	Min.	Typ.	Max.	Unit
Input CLK duty cycle	Dclk		45	50	55	%
Instruction cycle time	Tins	32.768kHz 3.579MHz		60 550		us ns
Device delay hold time	Tdrh			16		ms
TCC input period	Ttcc	Note 1	(Tins+20)/N			ns
Watchdog timer period	Twdt	Ta = 25°C		16		ms

Note: N = selected prescaler ratio

FSK AC Characteristic (Vdd = 3V, Ta = +25°C)

Characteristic	Min.	Typ.	Max.	Unit
FSK Sensitivity				
Low Level Sensitivity Tip & Ring @SNR 20dB	-40	-48	-	dBm
High Level Sensitivity Tip & Ring @SNR 20dB	-	0	-	dBm
Signal Reject	-	-51	-	dBm
FSK Twist				
Positive Twist (High Level)	+10	-	-	dB
Positive Twist (Low Level)	+10	-	-	dB
Negative Twist (High Level)	-6	-	-	dB
Negative Twist (Low Level)	-6	-	-	dB

CW AC Characteristic (Vdd=3V, Ta=+25°C)

Characteristic	Min.	Typ.	Max.	Unit
CW Sensitivity				
Sensitivity @SNR 20dB	-	-38	-	dBm
USA & Europe Mode				
Low Tone Frequency 2130Hz	-	±1.2	-	%
High Tone Frequency 2750Hz	-	±1.2	-	%
Chinese Call Waiting Mode				
Low Tone Frequency 2130Hz	-	±2.0	-	%
High Tone Frequency 2750Hz	-	±2.0	-	%
Chinese SMS Mode				
Low Tone Frequency 2130Hz	-	±5.5	-	%
High Tone Frequency 2750Hz	-	±5.5	-	%
CW Twist				
Twist	±7	-	-	dB

DTMF (DTMF Receiver) AC Characteristic (Vdd = 3V, Ta = +25°C)

Characteristic	Min.	Typ.	Max.	Unit
DTMF Receiver				
Low Level Signal Sensitivity	-	-36	-	dBm
High Level Signal Sensitivity	-	0	-	dBm
Low Tone Frequency	-	±2	-	%
High Tone Frequency	-	±2	-	%
DTMF Receiver Noise Endurance				
Signal-to-noise Ratio	15	-	-	dB

Tone Generators for AC Characteristic (Vdd = 3V, Ta = +25°C)

Characteristic	Min.	Typ.	Max.	Unit
Tone 1/Tone 2 signal strength (root mean square voltage)				
Tone 1 signal strength V1rms *1	130	155	180	mV
Tone 2 signal strength V2rms *1	1.259V1rms			mV
Tone Twist				
(Tone 1 – Tone 2) twist	–	-2	–	dB
Tone frequency deviation				
Frequency deviation	–	–	±1	%

Note *1 : V1rms and V2rms has 2dB difference. It means $20\log(V2rms/V1rms) = 20\log 1.259 = 2$ (dB)

DED AC Characteristic (Vdd = +3.0V, Ta = + 25°C)

Characteristic	Min.	Typ.	Max.	Unit
Input sensitivity TIP and RING for DED, DEDTHD bit=0	–	-45	–	dBm
Input sensitivity TIP and RING for DED, DEDTHD bit=1	–	-35	–	dBm

Timing characteristic (Vdd = 3V, Ta=+25°C)

Description	Symbol	Min.	Typ.	Max.	Unit	
Oscillator Timing Characteristic						
OSC start up	32.768kHz	Tosc	–	–	1500	ms
	3.579MHz PLL	–	–	–	10	us
Timing characteristic of reset						
Minimum width of reset low pulse	Trst	3	–	–	–	uS
Delay between reset and program start	Tdrs	–	18	–	–	mS
FSK Timing Characteristic						
Carrier detect low	Tcdl	–	10	14	–	ms
Carrier detect low to data valid	Tcdv	–	10	20	–	ns
Power up to FSK(setup time)	Tsup	–	15	20	–	ms
End of FSK to Carrier Detect high	Tcdh	–	–	4	–	ms
CW Timing Characteristic						
CAS input signal length (2130, 2750 Hz @ -20dBm)	Tcasi	–	80	–	–	ms
Call waiting data detect delay time	Tcwd	–	42	–	–	ms
Call waiting data release time	Tcwr	–	26	–	–	ms
DTMF Receiver Timing Characteristic						
Tone Present Detection Time	Tdp	–	*1	–	–	–
The guard-times for tone-present (C=0.1μF, R=300K)	Tgtp	–	30	–	–	ms
The guard-times for tone-absent (C=0.1μF, R=300K)	Tgta	–	30	–	–	mS
Propagation Delay (St to Q)	Tpq	–	8	–	–	us
Tone Absent Detection Time	Tda	–	*2	–	–	ms
SPI Timing Characteristic (CPU Clock 3.58MHz and Fsc0 = 3.58MHz /2)						
/SS set-up time	Tcss	560	–	–	–	ns
/SS hold time	Tcsh	250	–	–	–	–
SCLK high time	Thi	250	–	–	–	ns
SCLK low time	Tlo	250	–	–	–	ns
SCLK rising time	Tr	–	15	30	–	ns
SCLK falling time	Tf	–	15	30	–	ns

Description	Symbol	Min.	Typ.	Max.	Unit
SDI set-up time to the reading edge of SCLK	Tisu	25	–	–	ns
SDI hold time to the reading edge of SCLK	Tihd	25	–	–	ns
SDO disable time	Tdis	–	–	560	ns

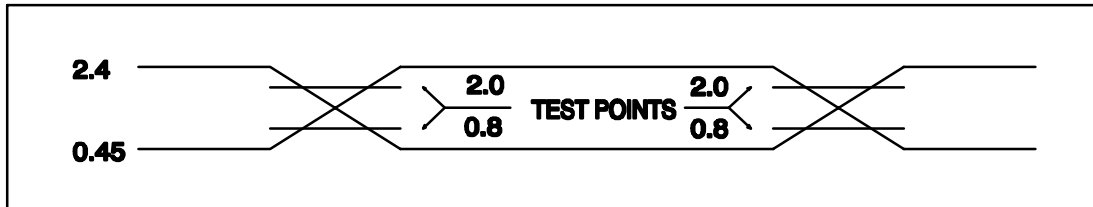
Note *1 : Controlled by software
*2 : Controlled by RC circuit

Data ROM access timing characteristic

Symbol	Description	Condition	Min.	Typ.	Max.	Unit
Tdiea	Delay from Phase 3 end to INSEND active	Cl=100pF			30	ns
Tdiei	Delay from Phase 4 end to INSEND inactive	Cl=100pF			30	ns
Tiew	INSEND pulse width		30			ns
Tdca	Delay from Phase 4 end to CA Bus valid	C1=100pF			30	ns
Tacc	ROM data access time		100			ns
Tcds	ROM data setup time		20			ns
Tcdh	ROM data hold time		20			ns
Tdca-1	Delay time of CA-1	C1=100pF			30	ns

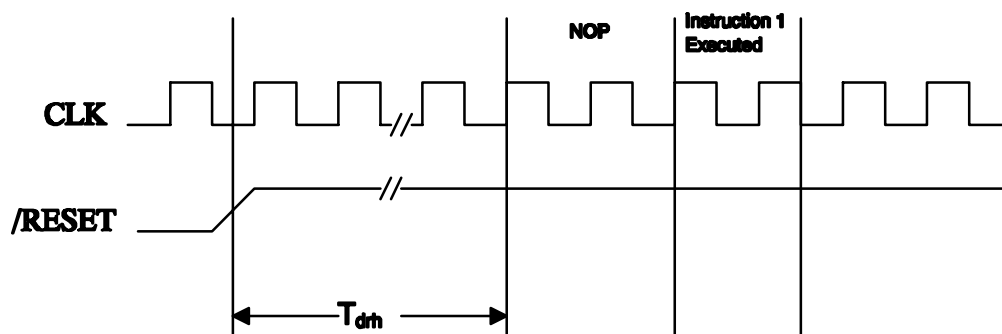
11 Timing Diagrams

AC Test Input/Output Waveform



AC Testing: Input are driven at 2.4V for logic "1", and 0.45V for logic "0". Timing measurements are made at 2.0V for logic "1", and 0.8V for logic "0".

RESET Timing



TCC Input Timing

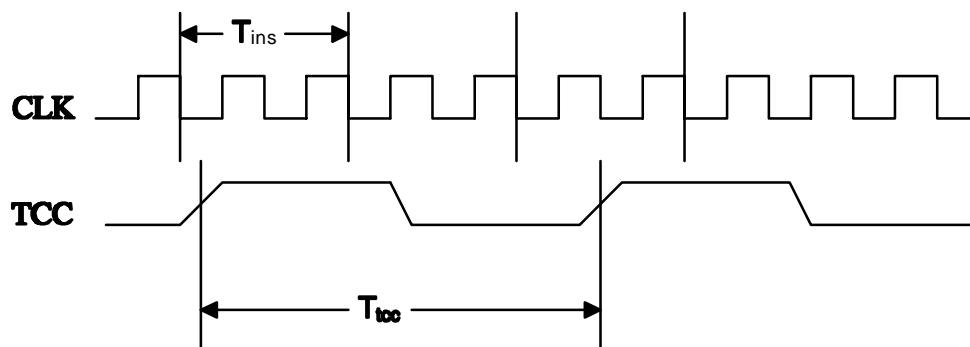


Fig. 30 AC Timing

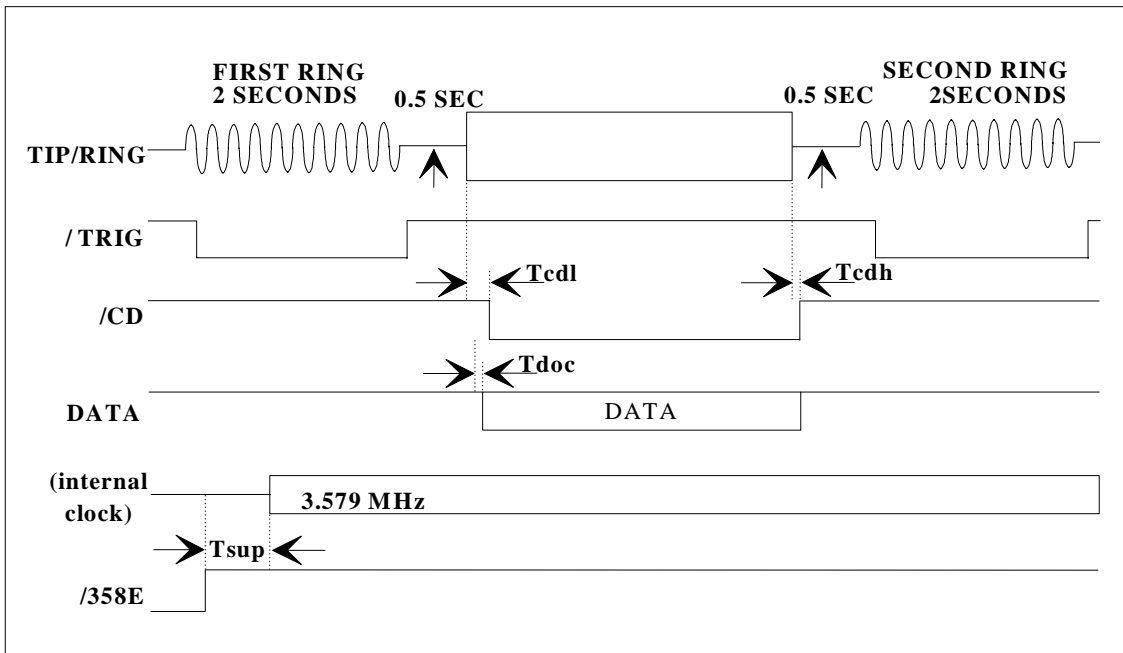


Fig. 31 FSK Timing Diagram

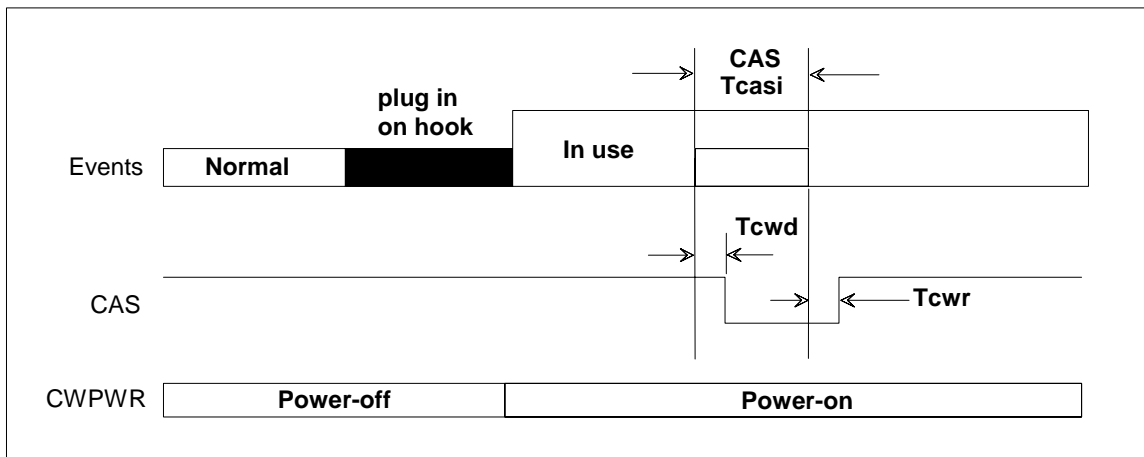


Fig. 32 Call Waiting Timing Diagram

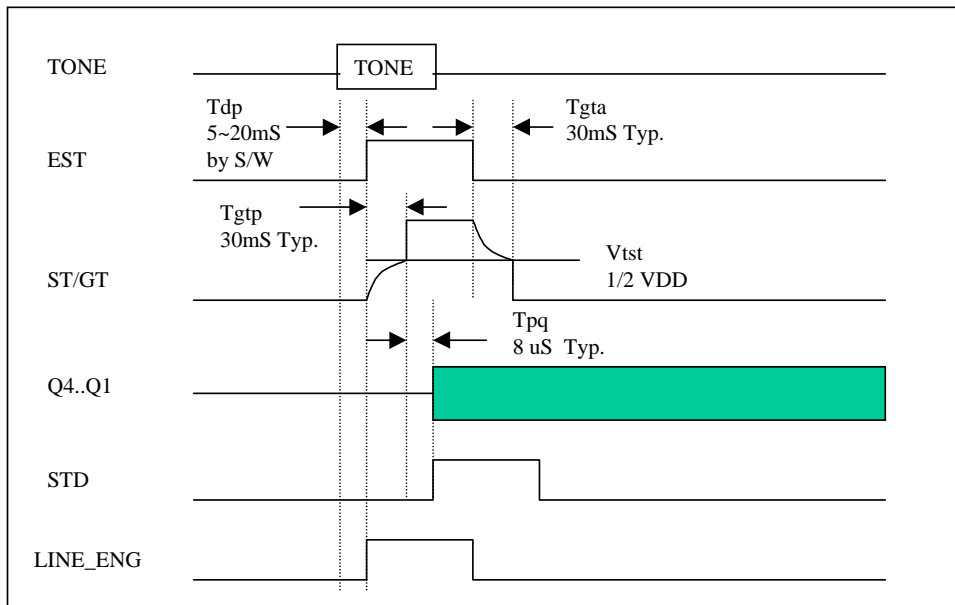


Fig. 33 DTMF Receiver Timing Diagram

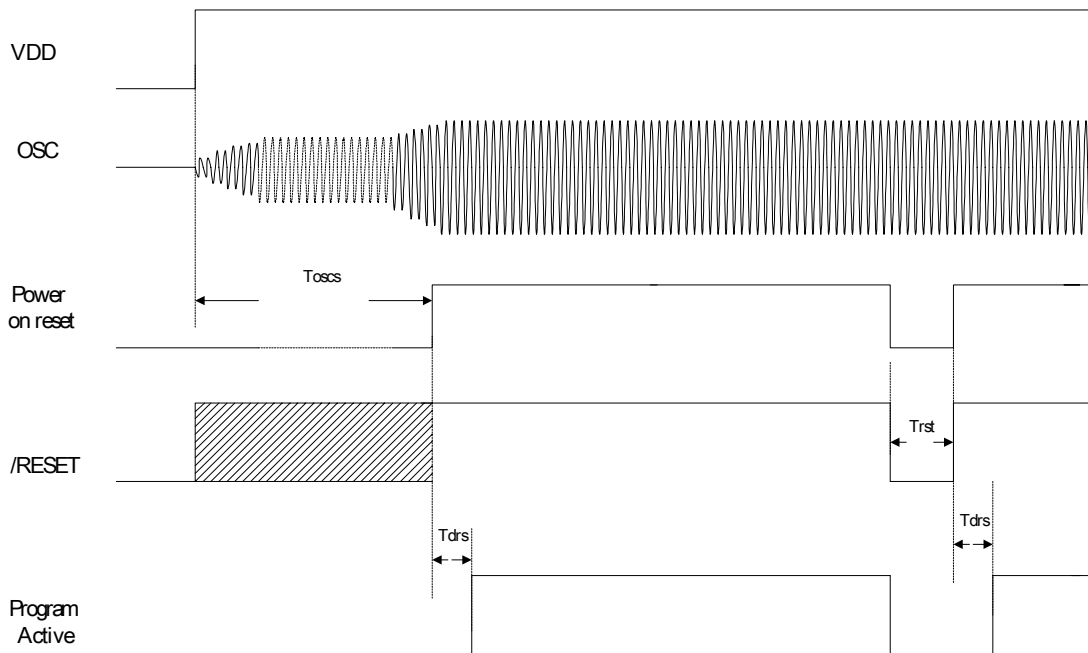


Fig. 34 Relationship between OSC Stable And Reset Time

12 Application Circuit

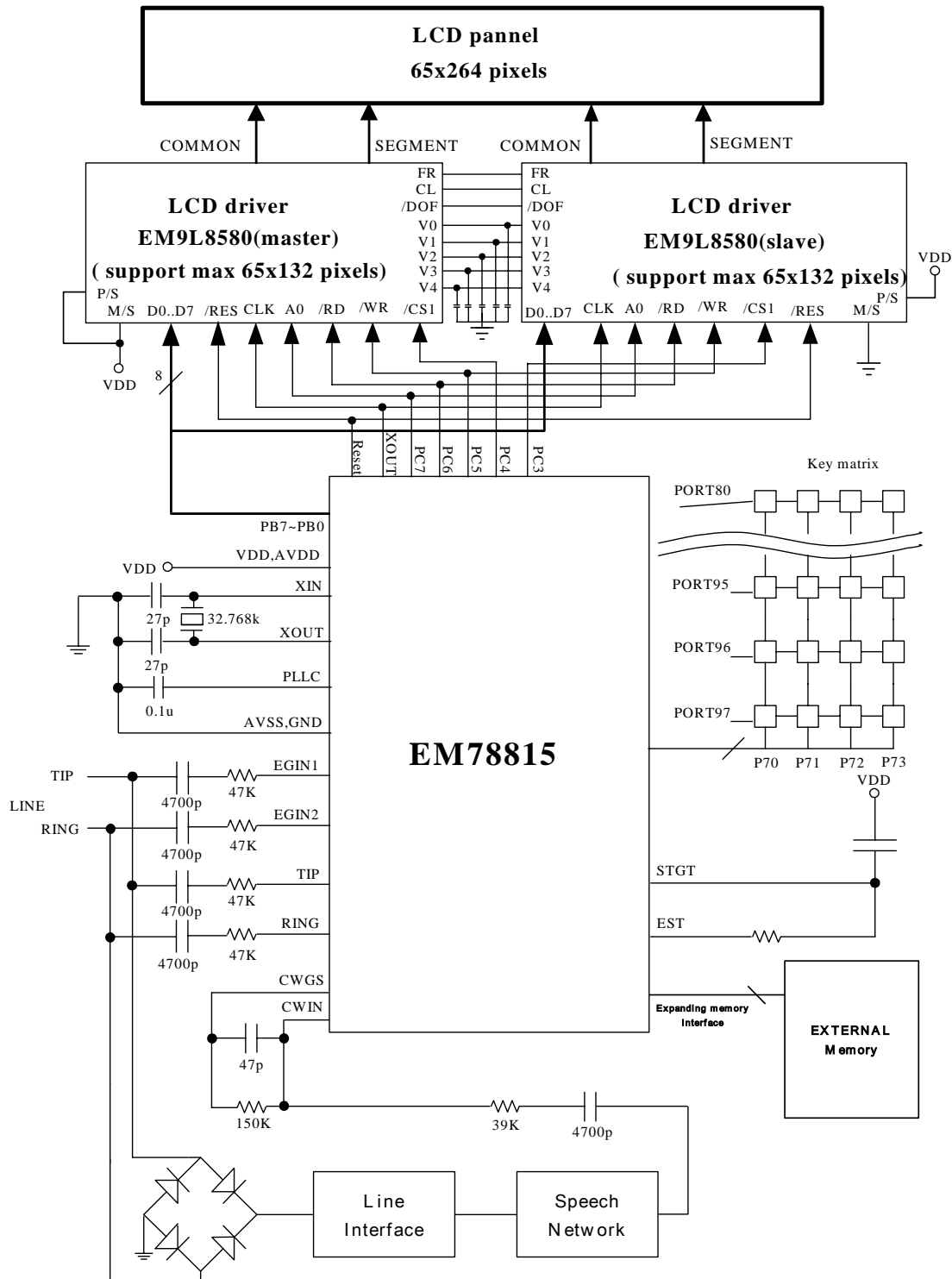


Fig. 35 External Multi-chip LCD Driver Application Circuit

APPENDIX

A Application Note

1. In targeting interrupt and program run to address 0x0008, ACC, R3 (Status), R5 (Program Page) and R4 (6, 7) will be automatically saved and R3 (6, 7) R register page will be set to Page 0, and reload after the instruction "RETI".
2. 0V reference voltage will power down when both RD Page 2 Bit 7 (DAREF) and RA Page 2 Bit 7 (CMPEN) are cleared to 0.
3. Before using Keytone function, set Port 76 as output type.
4. For accessing data ROM, EM78P815 (OTP) can work at 10.74MHz, but note that only ROM type EM78815 can work at 5.3MHz.
5. While switching the main clock (regardless of high freq to low freq or vice versa), adding 6 instructions delay (NOP) is required.
6. Do not switch the MCU operation mode from normal mode to sleep mode directly. Before going into sleep mode, switch the MCU to green mode first.
7. ***Always keep RA Page 0 Bit 7 = 0, otherwise, unexpected error will occur.***

