

## Single line IPAD™, EMI filter and ESD protection

### Features

- user-customizable filtering solution (recommended use of 2.2  $\mu$ H external inductor)
- 8 MHz bandwidth
- provides very high attenuation at 27 MHz
- ultralow stand-by power consumption compared to active filters, ideal for portable applications
- accurate 75  $\Omega \pm 5\%$  impedance matching
- high efficiency in ESD protection (IEC standards)
- high reliability offered by monolithic integration

### Complies with the following standards

- IEC 61000-4-2 level 4 on internal and external pins:
  - $\pm 15$  kV (air discharge)
  - $\pm 8$  kV (contact discharge)

### Application

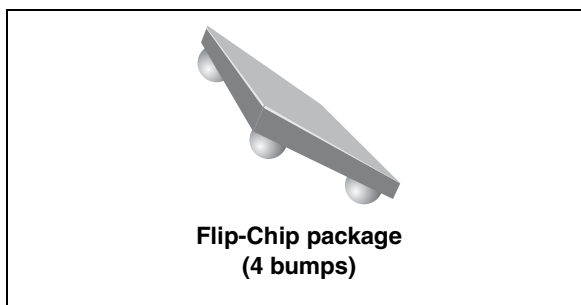
Portable applications with analog TV output

### Description

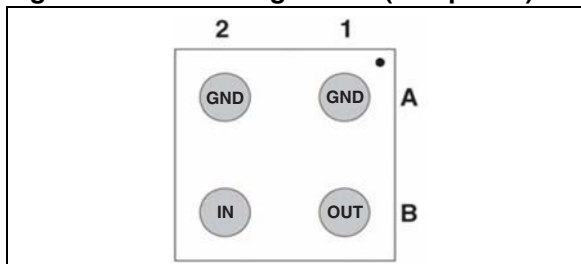
The EMIF01-TV02F3 chip is a highly integrated device designed to suppress EMI and RFI noise in all systems with a TV analog output signal subjected to electromagnetic interferences.

This filter includes ESD protection circuitry, which prevents damage to the protected device when subjected to ESD surges up to 15 kV.

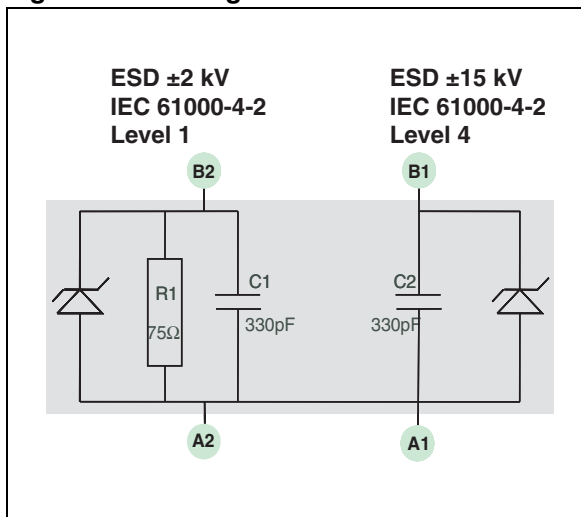
The EMIF01-TV02F3 provides high anti-aliasing filtering performances to reject frequencies above 8 MHz, with high attenuation at 27 MHz when an external inductor of 2.2  $\mu$ H is connected between pins B2 and B1.



**Figure 1. Pin configuration (bump side)**



**Figure 2. Configuration**



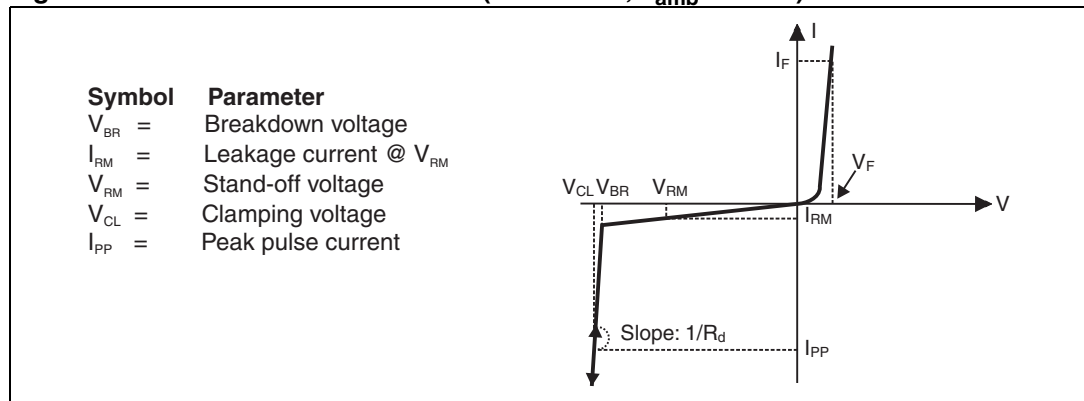
**TM:** IPAD is a trademark of STMicroelectronics.

# 1 Characteristics

**Table 1. Absolute maximum ratings**

Symbol	Parameter	Value	Unit
V <sub>PP</sub>	Internal pins (B1) and external pin (B2):	15	kV
	ESD discharge IEC 61000-4-2, air discharge ESD discharge IEC 61000-4-2, contact discharge	15	
T <sub>j</sub>	Maximum junction temperature	150	°C
T <sub>op</sub>	Operating temperature range	-40 to +85	°C
T <sub>stg</sub>	Storage temperature range	-55 to 150	°C

**Figure 3. Electrical characteristics (definitions, T<sub>amb</sub> = 25 °C)**



**Table 2. Electrical characteristics (values, T<sub>amb</sub> = 25 °C)**

Symbol	Test conditions	Min.	Typ.	Max.	Unit
V <sub>BR</sub>	I <sub>R</sub> = 1 mA	6.1		7.9	V
I <sub>RM</sub>	V <sub>R</sub> = 1 mA, between bumps B1 and A1			200	nA
R1	Tolerance ± 5 %		75		Ω
C1, C2	V <sub>line</sub> = 0 V, V <sub>osc</sub> = 30 mV, F = 1 MHz (measured under zero light conditions) Tolerance: ± 20%		330		pF

Figure 4. S21 attenuation measurement (typical value) in 75/75 environment

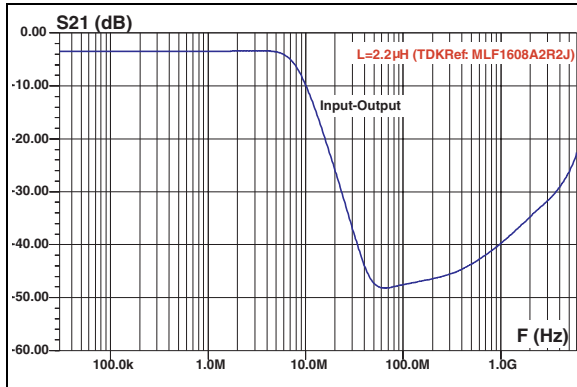


Figure 5. ESD response to IEC 61000-4-2 (+15 kV air discharge) on one input V<sub>(in)</sub> and on one output V<sub>(out)</sub>

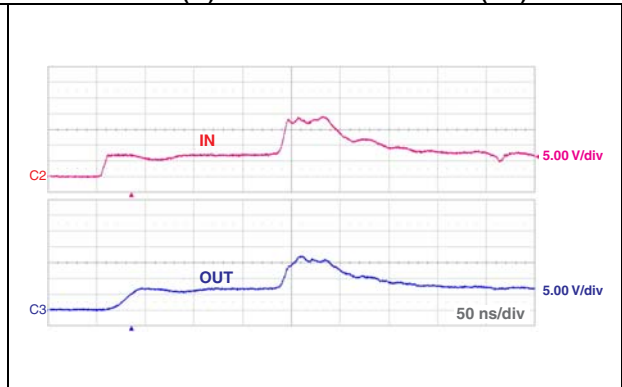
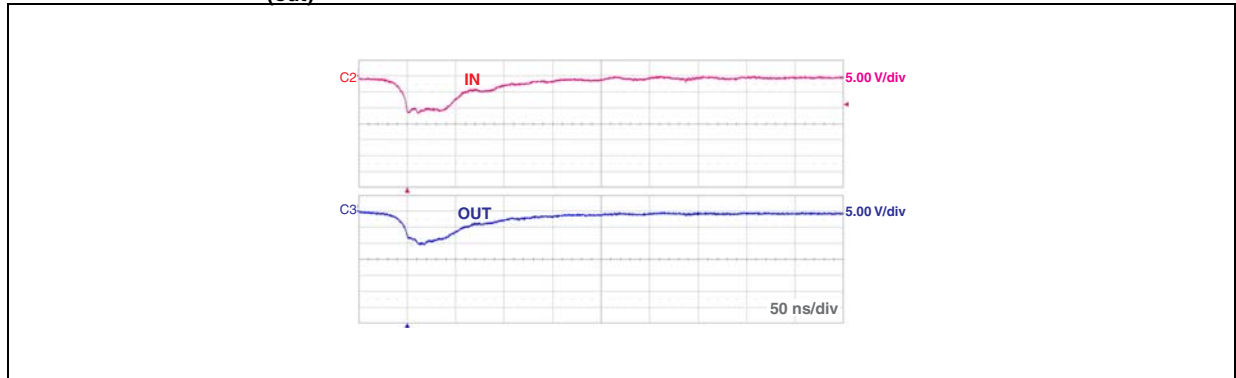


Figure 6. ESD response to IEC 61000-4-2 (-15 kV air discharge) on one input V<sub>(in)</sub> and on one output V<sub>(out)</sub>



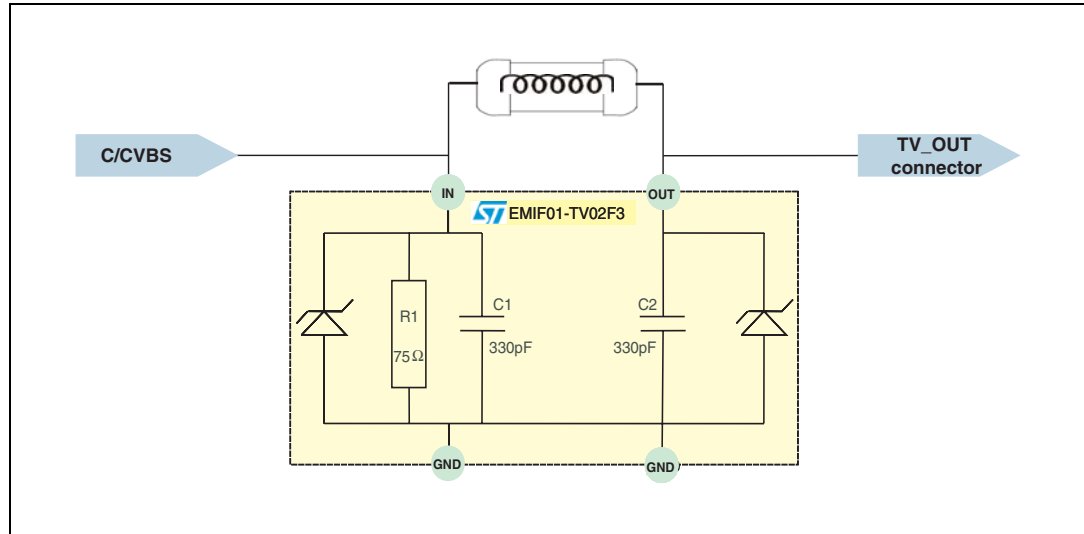
## 2 Application information

An external inductor is used to provide the filtering performance required by the TV-out application.

ST recommends one of these two references:

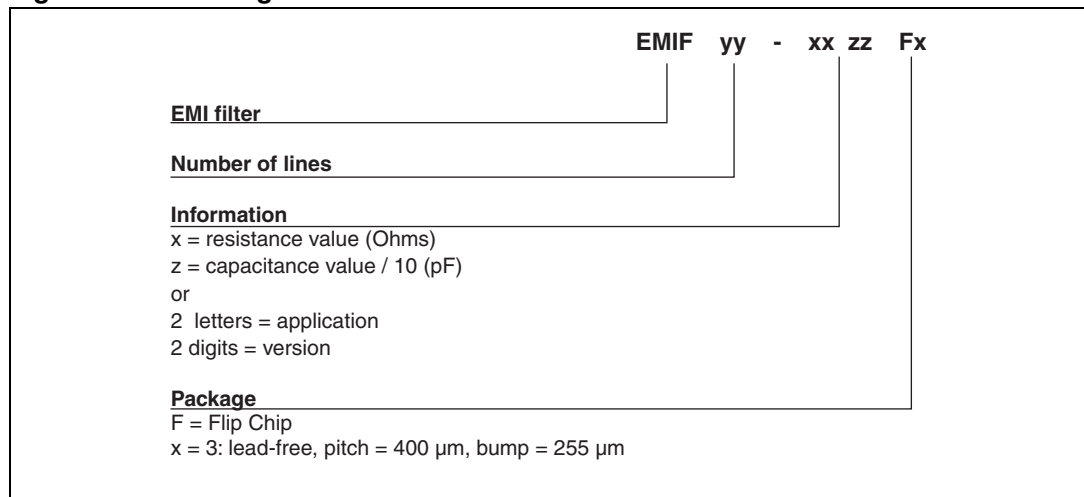
- TDK: MLF1608A2R2J
- MURATA: LQM18NN2R2J

Figure 7. Application diagram



## 3 Ordering information scheme

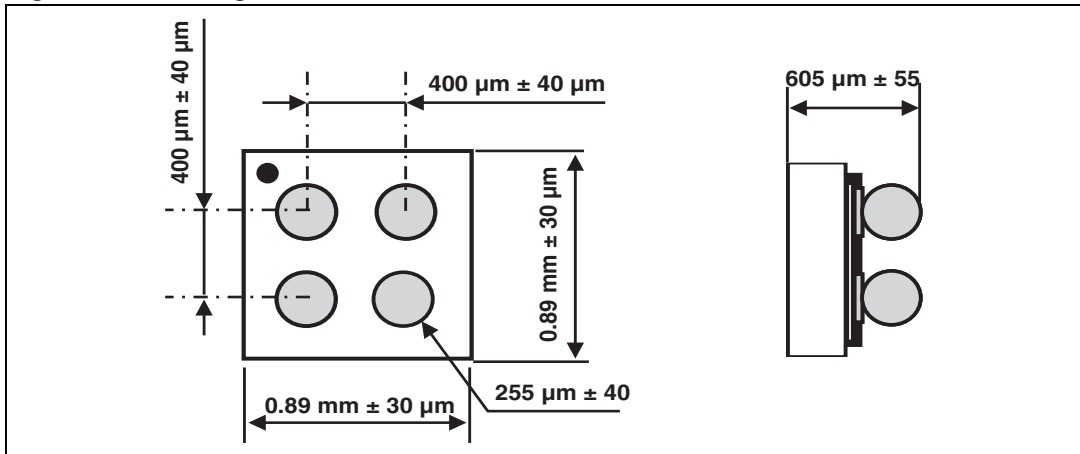
Figure 8. Ordering information scheme



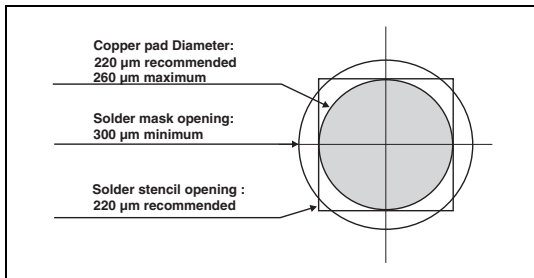
## 4 Package information

In order to meet environmental requirements, ST offers these devices in different grades of ECOPACK® packages, depending on their level of environmental compliance. ECOPACK® specifications, grade definitions and product status are available at: [www.st.com](http://www.st.com). ECOPACK® is an ST trademark.

**Figure 9. Package dimensions**



**Figure 10. Footprint**



**Figure 11. Marking**

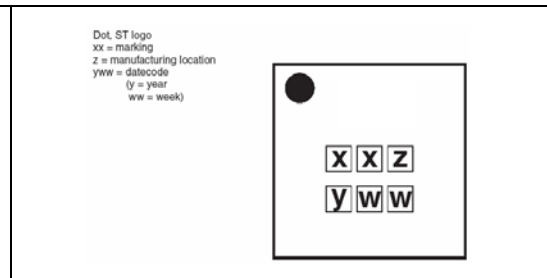
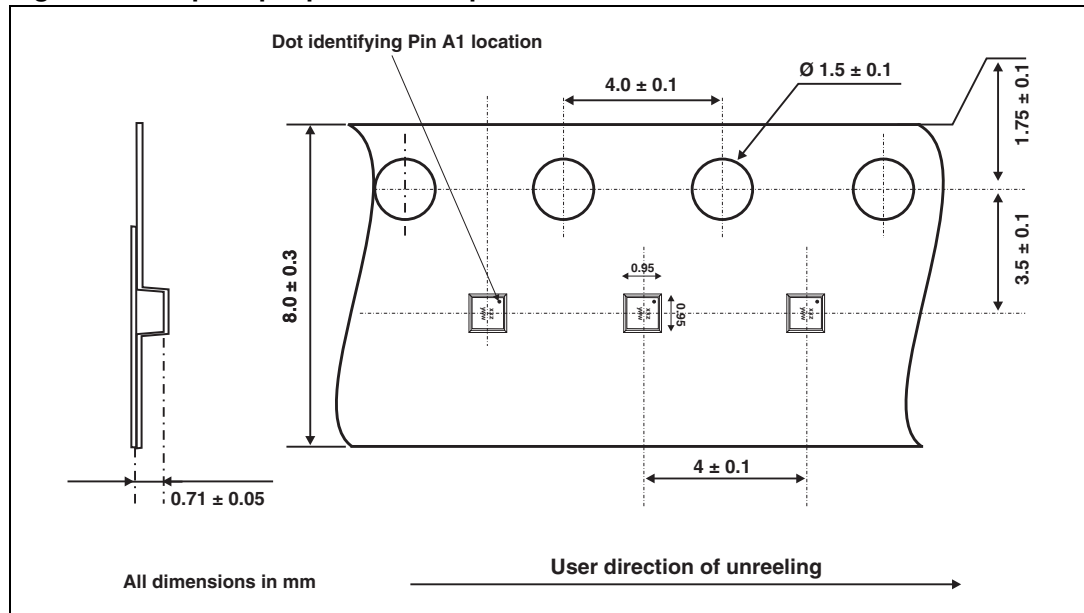


Figure 12. Flip Chip tape and reel specification



## 5 Ordering information

Table 3. Ordering information

Order code	Marking	Package	Weight	Base qty	Delivery mode
EMIF01-TV02F3	HZ	Flip Chip	1.1 mg	5000	Tape and reel 7"

Note: More information is available in the application note:  
 AN1235: "Flip Chip: Package description and recommendations for use"  
 AN1751: "EMI filters: Recommendations and measurements"

## 6 Revision history

Table 4. Document revision history

Date	Revision	Changes
20-Jan-2009	1	Initial release.
18-Sep-2009	2	Updated <a href="#">Figure 5</a> and <a href="#">Figure 6</a> .
06-Oct-2010	3	Added text above <a href="#">Figure 7</a> .

**Please Read Carefully:**

Information in this document is provided solely in connection with ST products. STMicroelectronics NV and its subsidiaries ("ST") reserve the right to make changes, corrections, modifications or improvements, to this document, and the products and services described herein at any time, without notice.

All ST products are sold pursuant to ST's terms and conditions of sale.

Purchasers are solely responsible for the choice, selection and use of the ST products and services described herein, and ST assumes no liability whatsoever relating to the choice, selection or use of the ST products and services described herein.

No license, express or implied, by estoppel or otherwise, to any intellectual property rights is granted under this document. If any part of this document refers to any third party products or services it shall not be deemed a license grant by ST for the use of such third party products or services, or any intellectual property contained therein or considered as a warranty covering the use in any manner whatsoever of such third party products or services or any intellectual property contained therein.

**UNLESS OTHERWISE SET FORTH IN ST'S TERMS AND CONDITIONS OF SALE ST DISCLAIMS ANY EXPRESS OR IMPLIED WARRANTY WITH RESPECT TO THE USE AND/OR SALE OF ST PRODUCTS INCLUDING WITHOUT LIMITATION IMPLIED WARRANTIES OF MERCHANTABILITY, FITNESS FOR A PARTICULAR PURPOSE (AND THEIR EQUIVALENTS UNDER THE LAWS OF ANY JURISDICTION), OR INFRINGEMENT OF ANY PATENT, COPYRIGHT OR OTHER INTELLECTUAL PROPERTY RIGHT.**

**UNLESS EXPRESSLY APPROVED IN WRITING BY AN AUTHORIZED ST REPRESENTATIVE, ST PRODUCTS ARE NOT RECOMMENDED, AUTHORIZED OR WARRANTED FOR USE IN MILITARY, AIR CRAFT, SPACE, LIFE SAVING, OR LIFE SUSTAINING APPLICATIONS, NOR IN PRODUCTS OR SYSTEMS WHERE FAILURE OR MALFUNCTION MAY RESULT IN PERSONAL INJURY, DEATH, OR SEVERE PROPERTY OR ENVIRONMENTAL DAMAGE. ST PRODUCTS WHICH ARE NOT SPECIFIED AS "AUTOMOTIVE GRADE" MAY ONLY BE USED IN AUTOMOTIVE APPLICATIONS AT USER'S OWN RISK.**

Resale of ST products with provisions different from the statements and/or technical features set forth in this document shall immediately void any warranty granted by ST for the ST product or service described herein and shall not create or extend in any manner whatsoever, any liability of ST.

ST and the ST logo are trademarks or registered trademarks of ST in various countries.

Information in this document supersedes and replaces all information previously supplied.

The ST logo is a registered trademark of STMicroelectronics. All other names are the property of their respective owners.

© 2010 STMicroelectronics - All rights reserved

STMicroelectronics group of companies

Australia - Belgium - Brazil - Canada - China - Czech Republic - Finland - France - Germany - Hong Kong - India - Israel - Italy - Japan - Malaysia - Malta - Morocco - Philippines - Singapore - Spain - Sweden - Switzerland - United Kingdom - United States of America

[www.st.com](http://www.st.com)