



ENH050Q1-320/450/600 Color TFT-LCD Module Features

GENERAL DESCRIPTION

Panelview provides optically enhanced solutions to the standard Sharp LQ5AW136 color active matrix LCD module. The first enhancement is an index matching (IM) film lamination to the front surface of the display polarizer.

The IM film is available in two surface treatments - IM/Clear and IM/110 (a 10% diffusion). The second enhancement is the incorporation of a reflective polarizer (RP) to improve brightness by up to 40%. The third enhancement is the addition of prism films (RPp) further increasing the brightness of the display. The module accepts full color video signals conforming to the NTSC(M) and PAL(G-B) system standards.

It can withstand an intense environment, the online dimension is suitable for an automotive display, compact size, compatible with 2DIN size.

Panelview assumes no responsibility for any damage resulting from the use of the device which does not comply with the instructions and the precautions specified in these specification sheets. Panelview does assume the responsibility for the warranty of the enhanced product.

FEATURES

- Dual mode type. [NTSC(M) and PAL(B-G) standards]
- MBK-PAL enables the 234-scanning lines panel to display a picture with virtually 273-scanning lines.
- TFT-active matrix-LCD drive system with high contrast.
- 74,800 pixels (RBG Stripe configurations and full color) 5" diagonal size.

- Slim, lightweight and compact
 1. Active area/Outline area=70%
 2. Thickness: 16.5mm
 3. Mass: 185g (Max)
- Built-in video interface circuit and control circuit responsive to two sets of standard RGB analog video signals.
- Reduced reflection as a result of low reflectance Black-Matrix and Index Matching (IM) film lamination. IM is available in two surface treatments, IM/Clear (glossy) and IM/110 (10% diffusion).
- It is possible to use both the simultaneous and the independent time sampling.
- An external clock mode is available.
- Optical viewing angle: wide view angle (6 o'clock direction.) (Customer can use this module as a 12 o'clock viewing direction type by using a display rotating function to rotate right/left and up/down scanning direction electrically.)
- This module includes a high luminance edge light that is excellent at low temperature.
- It is possible to use the dimming frequency (PWM) for backlight.

CONSTRUCTION AND OUTLINE

- Outline dimensions of TFT-LCD module: See Fig. 3
- The module consists of a TFT-LCD panel, driver IC's control PWB mounted with electronic circuits, edge light, frame, front and rear shielding cases. (Backlight driving DC/AC inverter is not built in the module.)

MECHANICAL SPECIFICATIONS

Parameter	Specifications	Units
Display Format	74,800	pixels
	960 (W) x RGB x 234 (H)	dots
Active Area	102.2 (W) x 74.8 (H)	mm
Screen Size (Diagonal)	13 (5")	cm
Dot Pitch	0.1065 (W) x 0.3195 (H)	mm
Dot Configuration	RGB Stripe configuration	-
Outline Dimension (1)	126.8 (W) x 89.6 (H) x 16.5 (D)	mm
Mass	185 (Max)	g

Note: This measurement is typical, and see Fig. 3 for details.

White Electronic Designs Corp. reserves the right to change products or specifications without notice.

Original specifications created by Sharp.



INPUT TERMINALS AND THEIR DESCRIPTIONS
TTL-LCD Panel Driving Section
(Hi means digital input voltage, Lo means GND.)

Pin No.	Symbol	I/O	Description	Remarks
1	HSY	I, O	Input/Output horizontal sync. signal (low active)	(1)
2	VSY	I, O	Input/Output vertical sync. signal (low active)	(2)
3	PWM	O	Terminal for output PWM of dimming back light	(3)
4	NTP	I	Terminal for display mode change of NTSC and PAL	(4)
5	HRV	I	Turning the direction of horizontal scanning	(5)
6	VRV	I	Turning the direction of vertical scanning	(6)
7	VSW	I	Selection signal of two sets of video signals	(7)
8	SAM	I	Terminal for sampling mode change	(8)
9	V _{cdc}	I	DC bias voltage adjusting terminal of common electrode driving signal	(9)
10	VSH	I	Positive power supply voltage	
11	VBS	I	Composite video signal of sync. seperator	(10)
12	BRT	I	Brightness adjusting terminal	(11)
13	VR1	I	Color video signal (Red) 1	Positive (On when VSW=Hi.)
14	VG1	I	Color video signal (Green) 1	↑
15	VB1	I	Color video signal (Blue) 1	↑
16	VSL	I	Negative power supply voltage	
17	VR2	I	Color video signal (Red) 2	Positive (On when VSW=Lo.)
18	VG2	I	Color video signal (Green) 2	↑
19	VB2	I	Color video signal (Blue) 2	↑
20	GND	I	Ground	
21	CKC	I	Change the input/output direction of CK, HSY and VSY.	(12)
22	CK	I, O	Input/Output clock signal	(13)

Note:

1. If CKC='Hi', this terminal outputs horizontal sync. signal in phase with VBS.
If CKC='Lo', this terminal will be external horizontal sync. input terminal.
2. If CKC='Hi', this terminal outputs vertical sync. signal in phase with VBS.
If CKC='Lo', this terminal will be external vertical sync. input terminal.
3. PWM signal is used for the PWM dimming frequency and it is easy to get PWM signal dimming by combining both HSY and PWM signals. But use this PWM signal in case of input standard NTSC or PAL signal.
4. This terminal is to switch the display mode, and it is NTSC mode when NTP is 'High' and is PAL mode when NTP is 'Low'.
5. When this terminal is 'High', it will be normal and when it is 'Low', it will display reversely on the horizontal direction.
6. When this terminal is 'High', it will be normal and when it is 'Low', it will display reversely on the vertical direction.
7. This terminal is to switch input for groups of RGB color video signals, and Input 1 (No. 13 to 15) is selected when VSW is 'High' and Input 2 (No. 17 to 19) is selected when VSW is 'Low'.
8. This terminal switches to sampling mode. It is the independent data-sampling timing at RGB dot when SAM is 'High' and it is the simultaneous data-sampling timing at RGB dots when SAM is 'Low'.
9. This terminal is applicable to the DC bias voltage adjusting terminal of the common electrode driving signal. If power supply voltage is typical, it is not necessary to re-adjust it. So, Use it in the open condition. However, in the case that the power supply voltage is changed, or power supply voltage is reduced, adjust it externally to get the best contrast with a resistor that is added to this terminal, or semi-fixed resistor, VCDC in module. A recommended circuit is shown in Fig. 5.
10. The sync. signal which will be input, is negative polarity and is applicable to standard composite sync. signal, negative one in the same pulse level.
11. DC voltage supplied to this terminal, makes the brightness of the screen adjustable, which is the black level of the video signal. Although this is adjusted in the time of delivery to get the best display in the condition of the open terminal, it is also able to be re-adjusted externally with a resistor that can be added to this terminal, or a semi-fixed resistor, BRT, in module. A recommended circuit is shown in Fig. 5.
12. CKC-'Hi', CK.HSY.VSY terminals are output mode. CKC='Lo': CK. HSY. VSY terminals are input mode.
13. If CKC='Hi', this terminal outputs the clock for sure drivers. If CKC='Lo', this terminal will be the external clock input terminal.

White Electronic Designs Corp. reserves the right to change products or specifications without notice.

Original specifications created by Sharp.



FUNCTIONAL MACHINE AND INPUT/OUTPUT MODE

Terminal	CKC="Hi"		CKC="Lo"	
	SAM="Hi"	SAM="Lo"	SAM="Hi"	SAM="Lo"
HSY	Output	Output	Input	Input
VSY	Output	Output	Input	Input
CK	Output "Dot Clock"	Output "Pixel Clock"	Input "Dot Clock"	Input "Pixel Clock"

BACKLIGHT DRIVING SECTION

Terminal	No.	Symbol	I/O	Function
CN1	1	VL1	I	Input terminal (Hi voltage side) [14]
	2	NC	-	Non connection
	3	VL2	I	Input terminal (low voltage side)

Note:

14. Low Voltage side of DC/AC inverter for backlight driving connects with Ground of inverter circuit.

ABSOLUTE MAXIMUM RATINGS

GND = 0V, t_A = 25°C

Parameter	Symbol	MIN	MAX	Unit	
Positive power supply voltage	V _{SH}	-0.3	+9.0	V	
Negative power supply voltage	V _{SL}	-6.0	+0.3	V	
Analog input signals (1)	V _I	-	2.0	Vp-p	
Digital input/output signals (2)	V _I	-0.3	+5.4	V	
DC bias voltage of common electrode driving signal	V _{CDC}	V _{SL}	V _{SH}	V	
Brightness adjusting terminal	V _{BRT}	0	+5.1	V	
Storage temperature (3)	t _{STG}	-30	85	°C	
Operating temperature (3, 4)	surface of panel	Top1	-30	85	°C
	environment	Top2	-30	60	°C

Notes:

1. VBS, VR1, VG2, VB1, VR2, VG2, VB2 terminals (Video signal)
2. NTP, HRV, VRV, SAM, VSW, HSY, VSX, CKC, CK terminals
3. The temperature of all parts in module should not exceed this rating. Maximum wet-bulb temperature should be less than 58°C. No dew condensation.



**ELECTRICAL CHARACTERISTICS
RECOMMENDED OPERATING CONDITIONS**

TFT-LCD PANEL DRIVING SECTION
GND=0V, $t_a=25^\circ\text{C}$

Parameter	Symbol	MIN	TYP	MAX	Unit	Remarks		
Positive power supply voltage	V_{SH}	+7.8	+8.0	+8.2	V	(1)		
Negative power supply voltage	V_{SL}	-5.2	-5.0	-4.8	V			
Analog input voltage	Amplitude	V_{BS}	0.7	1.0	2.0	V _{p-p}	Input resistor is over 10k Ω .	
		V_I	-	0.7	-	V _{p-p}		
	DC component	V_{DC}	-1.0	0	-1.0	V		(2) (3)
Digital Input voltage	High level	V_{IH}	-3.7	-	+5.1	V	Input resistor is over 10k Ω . (4)	
	Low level	V_{IL}	0	-	+1.0	V		
	Histeresis	V_H	0.4	-	-	V		
Digital output voltage	High level	V_{OH}	+4.0	-	+5.5	V	Load resister is over 60k Ω . (5)	
	Low level	V_{OL}	0	-	+1.0	V		
Output clock	Duty cycle	Duty	45/55	50/50	55/45	-	CKC=High (6)	
	Drive capability	I_{OH}	-	-	0.25	mA	$V_{OH}=2.6V$	(7)
		I_{OL}	-0.28	-	-	mA	$V_{OL}=2.3V$	
Input horizontal sync. component	freq.	NTSC	$f_H(N)$	15.13	15.73	16.33	CKC=High (8) for VBS terminal	
		PAL	$f_H(P)$	15.03	15.63	16.23		
	pulse width	NTSC	$t_{HI}(N)$	4.2	4.7	5.2		μs
		PAL	$t_{HI}(P)$	4.2	4.7	5.2		μs
	rise time	t_{rHI}	-	-	0.5	μs		
fall time	t_{fHI}	-	-	0.5	μs			
Input vertical sync. component	freq.	NTSC	$f_V(N)$	$f_H/284$	$f_H/262$	$f_H/258$	CKC=High, $H=1/f_H$ (9) for VBS terminal	
		PAL	$f_V(P)$	$f_H/344$	$f_H/312$	$f_H/304$		
	pulse width	NTSC	$t_{VI}(N)$	-	3H	-		μs
		PAL	$t_{VI}(P)$	-	2.5H	-		μs
rise time	t_{rVI}	-	-	0.5	μs			
fall time	t_{fVI}	-	-	0.5	μs			
Input clock	frequency	f_{CLI}	18.2	18.9	19.6	MHz	SAM=High	CKC=Low (10)
		f_{CLI}	6.0	6.8	7.6	MHz	SAM=Low	
	High width	t_{WH}	20.0	-	-	ns	for CK terminal	
	Low width	t_{WL}	20.0	-	-	ns		
	rise time	t_{rCLI}	-	-	5.0	ns		
	fall time	t_{fCLI}	-	-	5.0	ns		
Input HSY (Horizontal sync.)	frequency	f_{HI}	$f_{CLI}/1230$	$f_{CLI}/1200$	$f_{CLI}/1170$	Hz	SAM=High	CKC=Low (11)
		f_{HI}	$f_{CLI}/465$	$f_{CLI}/435$	$f_{CLI}/405$	Hz	SAM=Low	
	pulse width	t_{HI}	1.0	4.7	8.4	μs	for CK terminal	
	rise time	t_{rHI}	-	-	0.05	μs		
	fall time	t_{fHI}	-	-	0.05	μs		
Input VSY (Vertical sync.)	frequency	f_{VI}	50	$f_H/262$	$f_H/258$	Hz	(12)	CKC=Low for VSY terminal
	pulse width	$t_{VI}(P)$	1H	3H	5H	μs		
	rise time	t_{rVI}	-	-	0.5	μs		
	fall time	t_{fVI}	-	-	0.5	μs		
Data set up time	t_{SU1}	25	-	-	ns	(13)	CKC=Low	
Data hold time	t_{HO1}	25	-	-	ns			
Data set up time	t_{SU2}	1.0	-	-	μs	(14)		
Data hold time	t_{HO2}	1.0	-	-	μs			

White Electronic Designs Corp. reserves the right to change products or specifications without notice.

Original specifications created by Sharp.

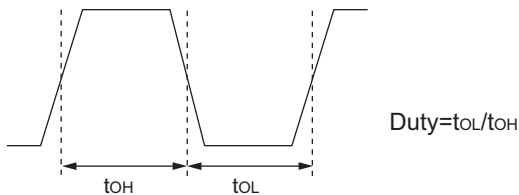


TFT-LCD PANEL DRIVING SECTION

Parameter	Symbol	MIN	TYP	MAX	Unit	Remark
DC bias voltage for common electrode driving signal	V _{CDC}	0	+2.0	+3.0	V	DC component (15)
Terminal voltage applicable to brightness	V _{BRT}	+2.0	+2.3	+2.4	V	

Notes:

- Power supply voltage should not be changed after adjusting V_{CDC}.
- VR1, VG1, VB1, VR2, VG2, VB2 terminal (Video signal)
- VBS, VR1, VG1, VB1, VR2, VG2, VB2 terminals
- HSY, VSY, NTP, VSW, HRV, VRV, SAM CKC, CK terminal
- HSY, VSY, CK terminals (output mode)
- CK terminals (output mode)
- Duty cycle is defined as follows.
- VBS (horizontal sync. component)
- VBS (vertical sync. component)
- CK (input mode)
- HSY (input mode)
- VSY (input mode)
- In case of cKC='Lo', it shows the phase different from HSY to CK. In that case, HSY will be taken at the rise timing of CK.
- In case of CKC='Lo', it shows the phase difference from VSY to HSY. In that case, VSY will be taken at the rise timing of HSY.
- Adjusting the optimal voltage on every module at the typical value of power supply voltage to get the maximum value of contrast. However, in the case that the power supply voltage is changed, for example the level of power supply voltage is reduced, adjust it externally to get the best contrast with a resistor you add to this terminal, or semifixed resistor, V_{CDC}, in module. A recommended circuit is shown in Fig. 5.



BACKLIGHT DRIVING SECTION

Parameter	Symbol	MIN	TYP	MAX	Unit	Remark
Lamp Voltage	V _{L7}	550	610	670	Vrms	IL=6.5mArms
Lamp current	I _L	3.0	6.5	7.0	mArms	normal operation
Lamp frequency	f _L	20	-	70	KHz	
Kickoff voltage	V _s	-	-	1450	Vrms	t _A = +25°C
		-	-	1500	Vrms	t _A = -30°C

POWER CONSUMPTION

t_A = 25°C

Parameter	Symbol	Conditions	MIN	TYP	MAX	Unit	Remark
Positive supply current	I _{SH}	V _{SH} = +8.0V V _{SL} = -5.0V	-	140	170	mA	
Negative supply current	I _{SL}		-	55	70	mA	
Total	W _S		-	1.4	1.7	W	(16)
Lamp power consumption	W _L	normal driving	-	4.0	-	W	(17)

- Excluding backlight section
- Reference data by calculation (I_L x V_L x 1: number of lump)

Circuit Diagram

The circuit block diagram of TFT-LCD module is shown in Fig. 4.

BRT, VCDC, external adjusting recommended circuit is shown in Fig. 5.

Caution: Turn the power supply on or off (VSH and VSL) at the same time. Be careful to supply all power voltage before inputting signals.

Input/Output Signal Waveforms (Fig. 6)

Caution: For the VBS signal, input standard composite video (or sync.) signal applicable to the operating mode which have NTSC (M) or PAL (B-G) and is selected by the NTP signal.

Dimming Backlight by PWM Timing Chart

If using PWM mode, refer to the timing chart shown in Fig. 7.



INPUT/OUTPUT SIGNAL TIMING CHART (FIG. 6)
(CKC=HIGH, NTSC: f_H=15.7kHz, f_V=60Hz/PAL: f_H=15.6kHz, f_V=50Hz)

Parameter		Symbol	Min.	Typ.	Max.	Unit	Reward
Horizontal sync. output pulse [HSY]	pulse width	t _{HS2}	3.2	3.9	4.6	μs	f=f _H (18)
	phase difference	t _{PD}	0.4	1.1	1.8	μs	(19)
	rise time	t _{rHO}	-	-	0.5	μs	C _L =10pF
	fall time	t _{fHO}	-	-	0.5	μs	
Vertical sync. output pulse [VSY]	pulse width	t _{VS}	-	4H	-	μs	1H=1/f _H
	phase difference	t _{VHO}	-	11.0	28.0	μs	(20)
	rise time	t _{rVO}	-	-	2.0	μs	C _L =10pF
	fall time	t _{fVO}	-	-	2.0	μs	
Vertical phase difference	odd field	t _{pv1}	-	1H	-	μs	1H=1/f _H
	even field	t _{pv2}	-	0.5H	-	μs	(21)
Clock output frequency [CK]	NTSC MODE	f _{CLO}	-	f _H x $\frac{1201}{2}$	-	MHz	SAMC="Hi"
	PAL MODE	f _{CLO}	-	f _H x $\frac{1209}{2}$	-	MHz	(22)
	NTSC MODE	f _{CLO}	-	f _H x $\frac{1201}{6}$	-	MHz	SAMC="Lo"
	PAL MODE	f _{CLO}	-	f _H x $\frac{1209}{6}$	-	MHz	(23)

(Supply voltage conditions: VSH = +8.0V, VSL = 5.0V)

Notes:

- 18. Adjusted by variable resistor (H-POS) in a module.
- 19. Variable by variable resistor (H-POS) in a module.
adjustment : t_{pd} = 1, 1 ± 0.7 μs
- 20. Synchronized with HSY, based on falling timing of HSY.
- 21. VSY signal delays
- 22. Independent sampling mode.
- 23. Simultaneous sampling mode.

Display Time Range

NTSC (M) mode (NTP=High, CKC=High)

Displaying the following range within video signals.

- Horizontally: 12.2 ~ 63 μs from the falling edge of HSY. (SAM=High)
12.3 ~ 62.9 μs from the falling edge of HSY. (SAM-Low)
- Vertically: 20 ~ 253 H from the falling edge of VSY.

PAL(B-G) Mode (NTP-Low, CKC=High)

Displaying the following range within video signals.

- Horizontally: 13.0 ~ 63.8 μs from the falling edge of HSY. (SAM=High)
13.1 ~ 63.7 μs from the falling edge of HSY. (SAM-Low)
- Vertically: 26 ~ 298 H from the falling edge of VSY.

However, the video signals of

(14n+12)H, (14n+20) H/Even field.

(14n+17)H, (14n+23) H/Odd field (n=1, 2, ..., 20)

are not displayed on the module.

External Clock Mode (NTP=High, CKC='Lo')

- Horizontally: 205 ~ 1164 ck from the falling edge of HSY. (SAM=High)
84 ~ 403 ck from the falling edge of HSY. (SAM-Low)
- (ck means input external clock.)

- Vertically: 20 ~ 253 H from the falling edge



OPTICAL CHARACTERISTICS

t_A=25°C

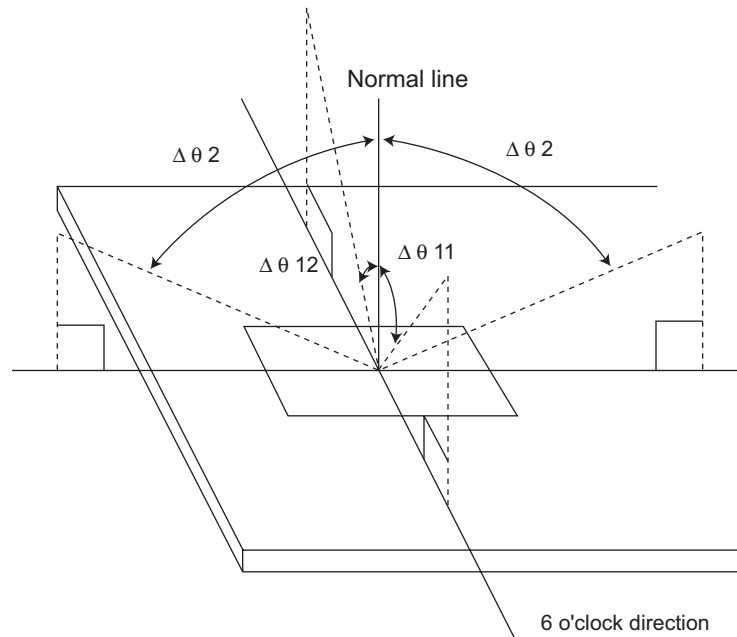
Parameter	Symbol	Condition	Min	Typ	Max	Unit	Remarks	
Viewing Angle Range	Δθ11	CR≥5	60	65	-	° (degree)	(1,2)	
	Δθ12		35	40	-	° (degree)		
	Δθ2		60	65	-	° (degree)		
Contrast Ratio	CRmax	Optimal	60	-	-	-	(2,3)	
Response Time	Rise	θ = 0°	-	30	60	ms	(2,4)	
	Fall		-	50	100	ms		
Luminance	Y	I _L =6.5mA _{rms}	240	320	-	cd/m ²	(5)	
White Chromaticity	x	I _L =6.5mA _{rms}	0.263	0.313	0.363	-		
	y	I _L =6.5mA _{rms}	0.279	0.329	0.379	-		
Lamp Life Time	+25°C	-	Continuation	10,000	-	-	hour	(6)
	-30°C	-	Intermission	2,000	-	-	time	(7)

DC/AC inverter for external connection shown in following. Harison Electric Co., Ltd, HIU-288.

Notes:

- Viewing angle range is defined as follows.

Fig. 1: Definition of Viewing Angle

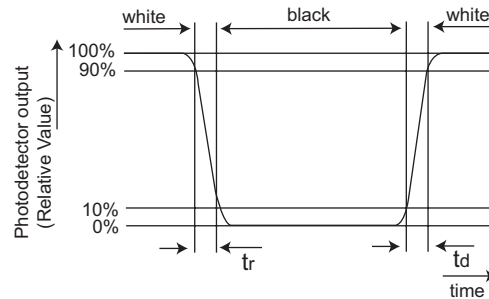


- Applied voltage conditions:
 - VDC is adjusted so as to attain maximum contrast ratio.
 - Brightness adjusting voltage (BRT) is open.
 - Input video signal of standard black level and 100% white level.
- Contrast ratio is defined as follows:

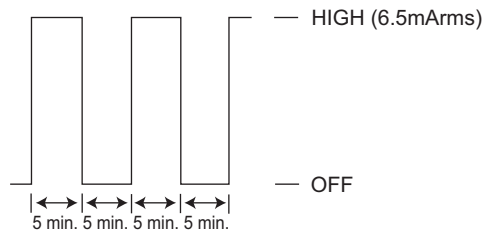
$$\text{Contrast ratio (CR)} = \frac{\text{Photodetector output with LCD being "white"}}{\text{Photodetector output with LCD being "black"}}$$



4. Response time is obtained by measuring the transition time of photodetector output, when input signals are applied so as to make the area "black" from "white" and "white" from "black".



5. Measured on the center area of the panel at a viewing cone 1° by TOPCON luminance meter BM-7. (After 30 minutes operation) DC/AC inverter driving frequency : 49kHz
6. Lamp life time is defined as the time when either "a" or "b" occurs in the continuous operation under the condition of lamp current IL=3~7.0mA and PWM dimming 100%~5%. (tA=25°C)
- Brightness becomes 50% of the original value.
 - Kick off voltage at tA=30°C exceeds maximum value, 1500Vrms.
7. The intermittent cycle is defined as a time when brightness becomes 50% of the original value under the condition of following cycle.
Ambient temperature: -30°C





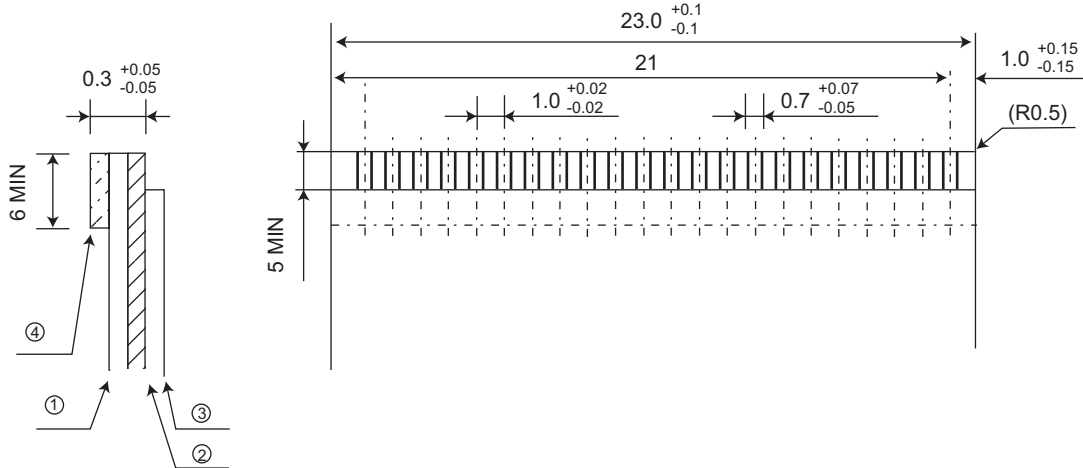
MECHANICAL CHARACTERISTICS

By applying pressure on the active area it is possible to cause damage to the display.

Input/Output Connectors Performance

Input/Output connectors for the operation of LCD module (FPC connector 22 pin)

- Applicable FPC Shown in Fig. 3.
- Terminal holding force: more than 0.9N/pin.
(Each terminal is pulled out at a rate of 25 ±3mm/min.)



No.	Name	Materials
1	Base material	Polyimide or equivalent material (25µm thick)
2	Copper foil	Copper foil (35µm thick) Solder plated in 2 to 12µm
3	Cover lay	Polyimide or equivalent material
4	Reinforcing plate	Polyester polyimide or equivalent material (188µm thick)

(Fig. 3) FPC applied to input/output connector (1.0mm pitch)

I/O CONNECTOR OF BACKLIGHT DRIVING CIRCUIT

Symbol	Used Connector	Corresponding connector	Manufacturer
CN1	BHR=02(8.0)VS-1N	SM02(8.0)B-BHS-TB (wire to board)	JST
		SM02(8.0)B-BHS-1N (wire to board)	JST
		BHMR-03V(wire to wire)	JST



DISPLAY QUALITY

The display quality of the color TFT-LCD module shall be in compliance with the Incoming Inspection Standards.

HANDLING INSTRUCTIONS

Mounting the module

The TFT-LCD module is designed to be mounted on equipment using the mounting tabs in the four corners of the module at the rear side. When mounting the module, the M2.6 tapping screw (fastening torque is 0.3 through 0.5N•m) is recommended. Make certain to fix the module on the same plane. Avoid warping or twisting the module.

PRECAUTIONS IN MOUNTING

Polarizer which is made of soft material and susceptible to flaws must be handled carefully. A protective film (Laminator) is applied on the surface to protect it against scratches and dirt. It is recommended to peel off the laminator immediately before use, taking care of static electricity.

Precautions in peeling off the laminator

A) Working environment

When the laminator is peeled off, static electricity may cause dust to stick to the polarizer surface. To avoid this, the following working environment is desired.

- a) Floor: Conductive treatment of $1M\Omega$ or more on the tile (conductive amt of conductive paint on the tile)
- b) Clean room free from dust and with an adhesive mat on the doorway
- c) Advisable humidity: 50%~70%
Advisable temperature: 15°C~27°C
- d) Workers shall wear conductive shoes, conductive work clothes, conductive gloves and an earth band.

If the TFT-LCD module metal parts (shielding lid and rear case) become soiled, wipe them with a soft dry cloth.

Wipe off water spots or finger grease immediately.

Prolonged contact with water may cause discoloration or spots.

The TFT-LCD module uses glass which breaks or cracks easily if dropped or bumped on a hard surface. Handle with care.

Since CMOS LSI is used in this module, take care of static electricity and ground one's body when handling.



Precautions in Adjusting Module

Variable resistor on the rear face of the module has been adjusted optimally before shipment. Therefore, do not change any adjusted values. If adjusted values are changed, the specifications described here may not be satisfied.

Caution of Product Design

1. The LCD module shall be protected against water by the waterproof cover.

Others

1. Do not expose the module to direct sunlight or intensive ultraviolet rays for many hours; liquid crystal is deteriorated by ultraviolet rays.
2. Store the module at a temperature near room temperature. When stored at lower than the rated storage temperature, liquid crystal solidifies, causing the panel to be damaged. When stored at higher than the rated storage temperature, liquid crystal turns into isotropic liquid and may not recover.
3. If LCD panel breaks, the liquid crystal could possibly escape from the panel. Since the liquid crystal is injurious, avoid contact with the eyes or mouth. Wash with soap immediately if contact with the liquid crystal occurs.
4. Observe all other precautionary requirements in handling general electronic components.

SHIPPING REQUIREMENTS

Carton storage conditions:

Number of layers of carton in stack: 10 layers max

Environmental conditions:

Temperature: 0~40°C

Humidity: 60%RH or less (at 40°C)

No dew condensation at low temperature and high humidity,

Atmosphere Harmful gases such as acid and alkali which corrode electronic components and wires must not be present.

Storage period Approximately 3 months

Opening of package To prevent TFT-LCD module from being damaged by static electricity, adjust the room humidity to 50%RH of higher and make certain one is grounded before opening the package.

RELIABILITY TEST

Reliability test conditions for the TFT-LCD module are shown on page 12.

and should be strictly avoided. Image retention may occur when a fixed pattern is displayed for a long time.



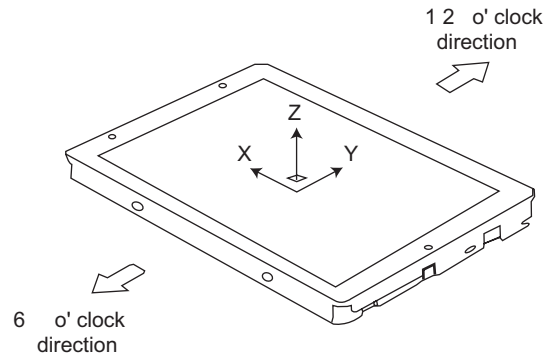
RELIABILITY TEST ITEMS FOR TFT-LCD MODULE

No.	Test items	Test conditions
1	High temperature storage test	$t_p = -85^{\circ}\text{C}$ 240h
2	Low temperature storage test	$t_p = -30^{\circ}\text{C}$ 240h
3	High temperature and high humidity operating test	$t_p = -60^{\circ}\text{C}$, 90~95%RH 240h
4	High temperature operating test	$t_p = -85^{\circ}\text{C}$ 240h
5	Low temperature operating test	$t_p = -30^{\circ}\text{C}$ 240h
6	Electrostatic discharge test	$\approx 200\text{V} \cdot 200\text{pF}(\text{O}\Omega)$ Once for each terminal
7	Shock test	980m/s^2 6ms. $\pm X, \pm Y, \pm Z$ 3 times for each direction
8	Vibration test	Frequency Range: 8~33.3Hz Stroke: 1.3mm Sweep: 33.3Hz~400Hz Acceleration: 28.4m/s^2 Frequency: 15 minutes 2 hours for each direction of X, Z (1) 4 hours for direction of Y (8 hours in total) (JIS C0041. A-7 Condition C)
9	Heat shock test	$-30^{\circ}\text{C} \sim -85^{\circ}\text{C}/200$ cycles (0.5h) (0.5h)

t_p =Panel temperature

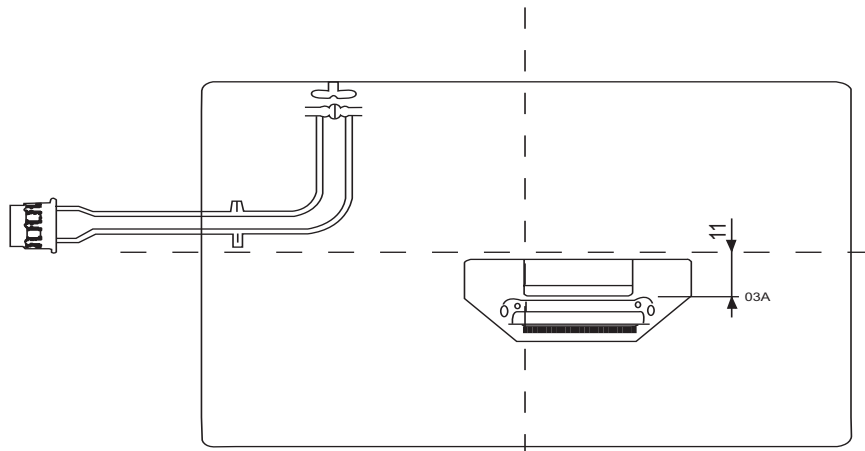
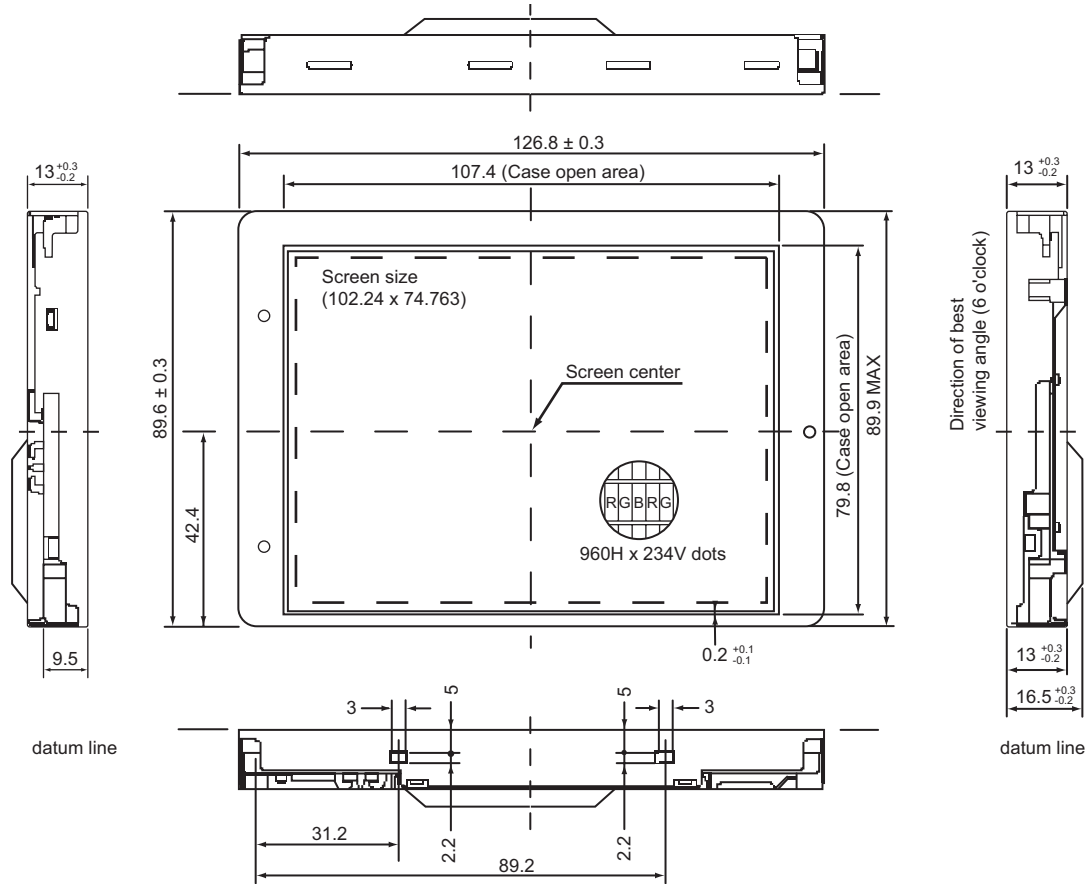
Evaluation Result Criteria:

Note 1: Direction of X, Y, Z is defined as follows:





OUTLINE DIMENSIONS



Rear View

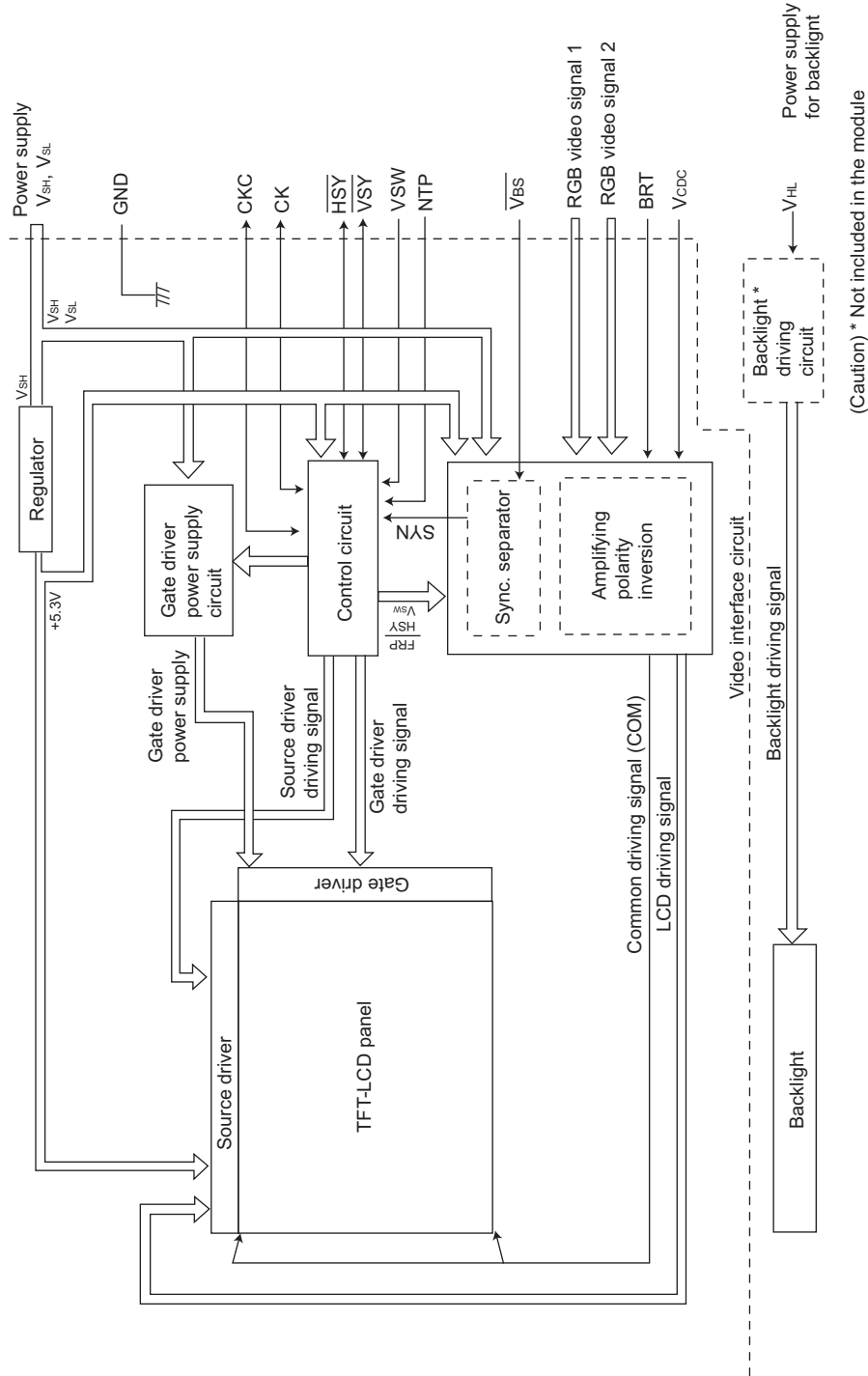


Fig. 4 Circuit block diagram of TFT-LCD module

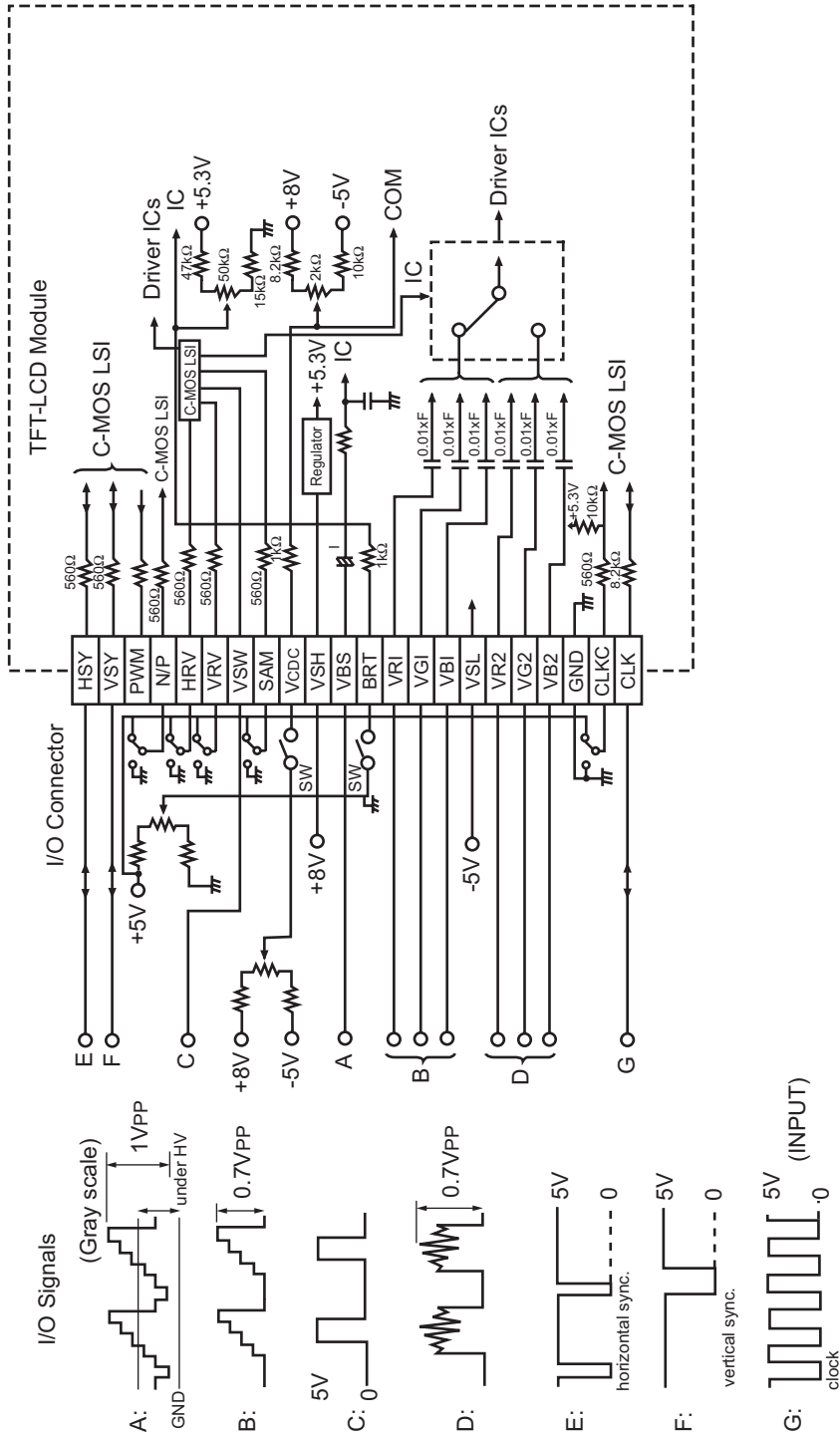


Fig. 5 Recommended Circuit

(Note)
input impedance of A, B, D: >10kΩ
input impedance of C: >50kΩ

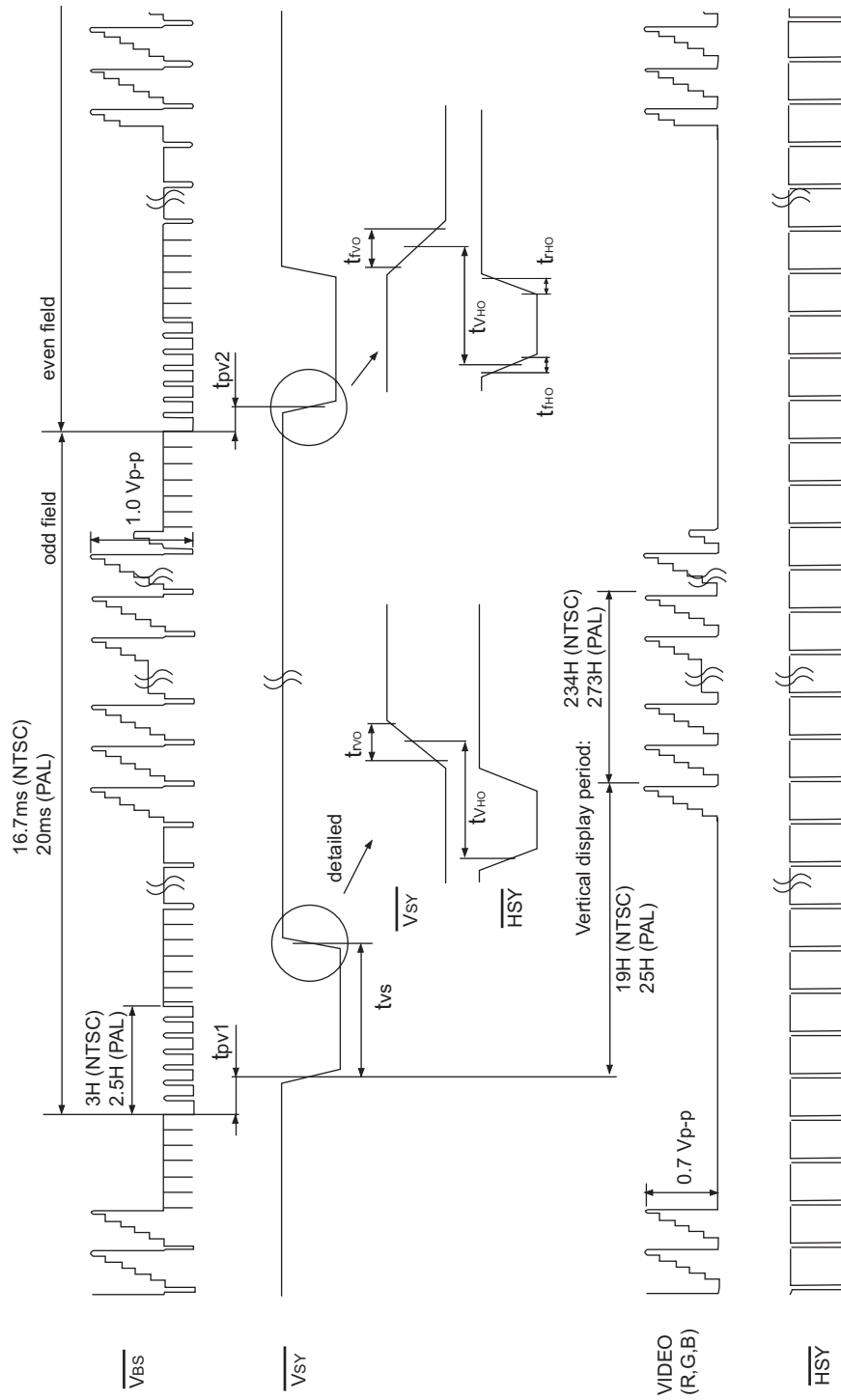


Fig. 6-A Input/Output signal waveforms (CKC= "High")

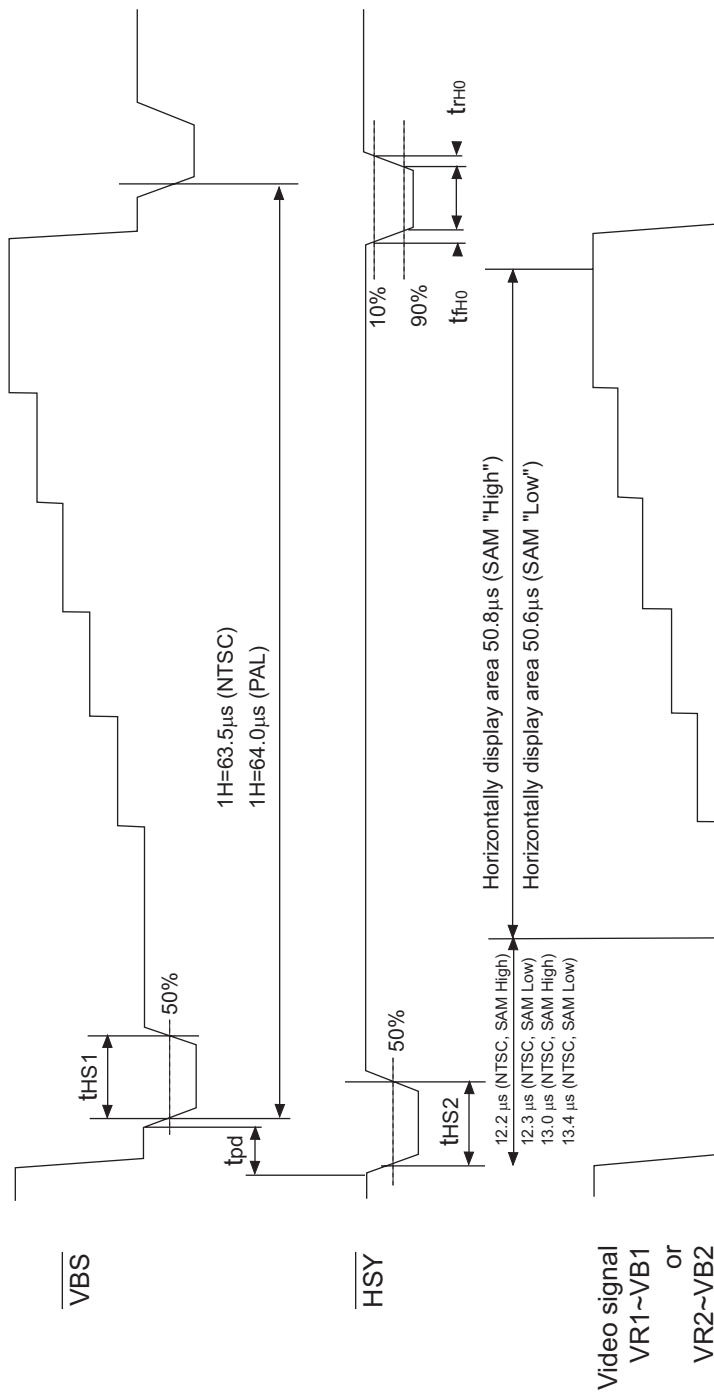


Fig. 6-B Input/Output signal waveforms (CKC="High")

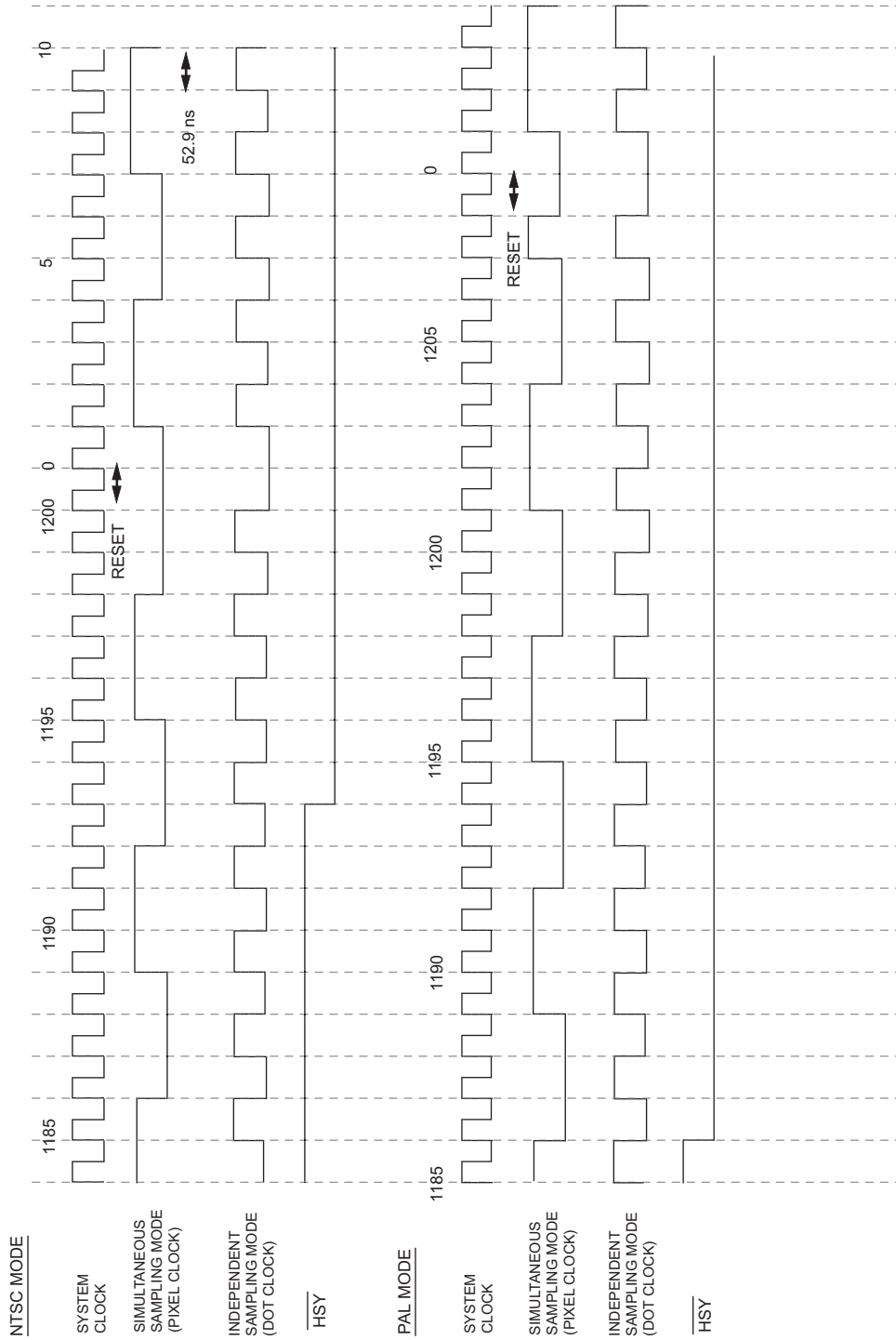


Fig. 6-C Input/Output signal waveforms (CLKC="High")

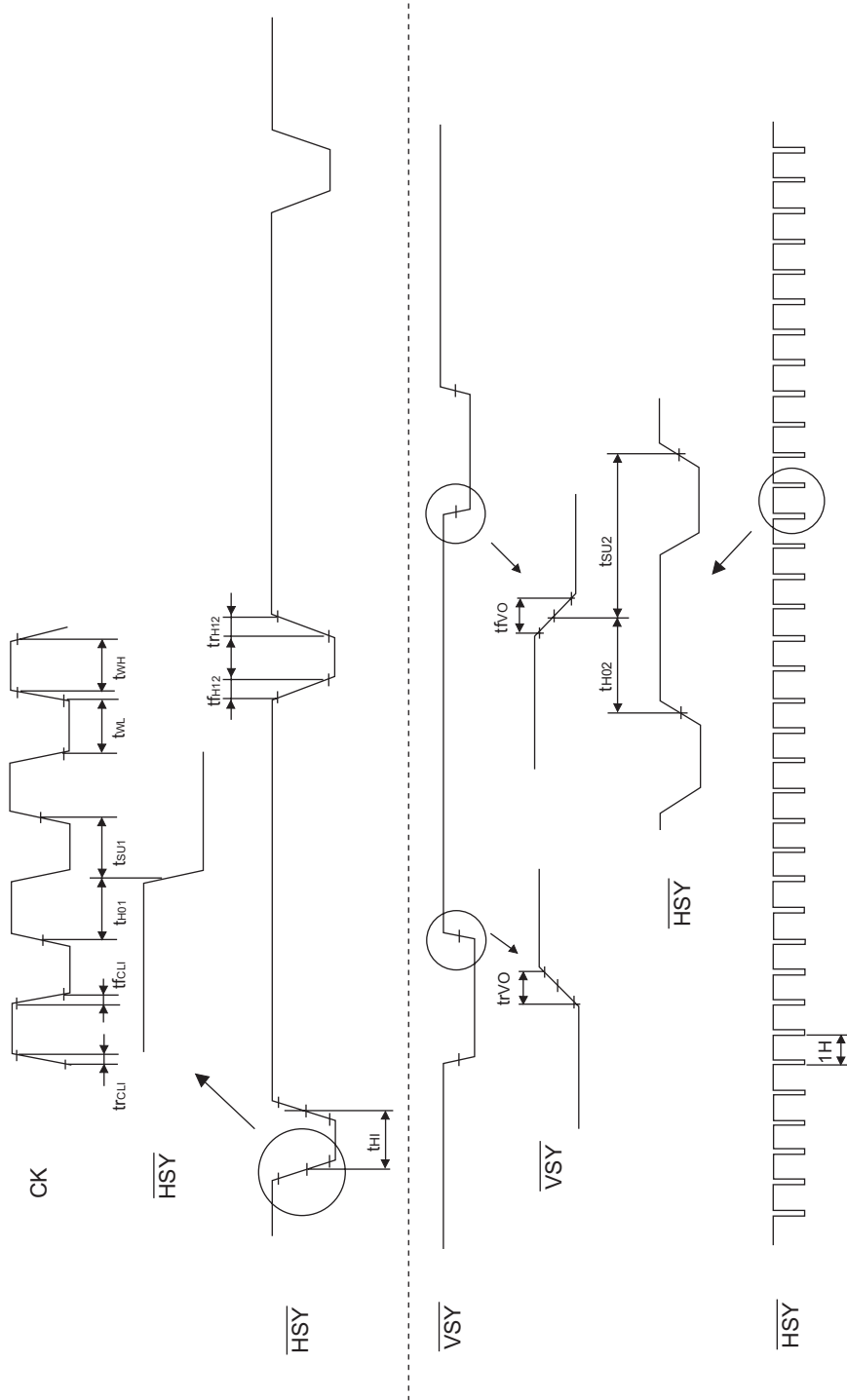


Fig. 6-D Input/Output signal waveforms (external clock mode NTP="High", CKC="Low")

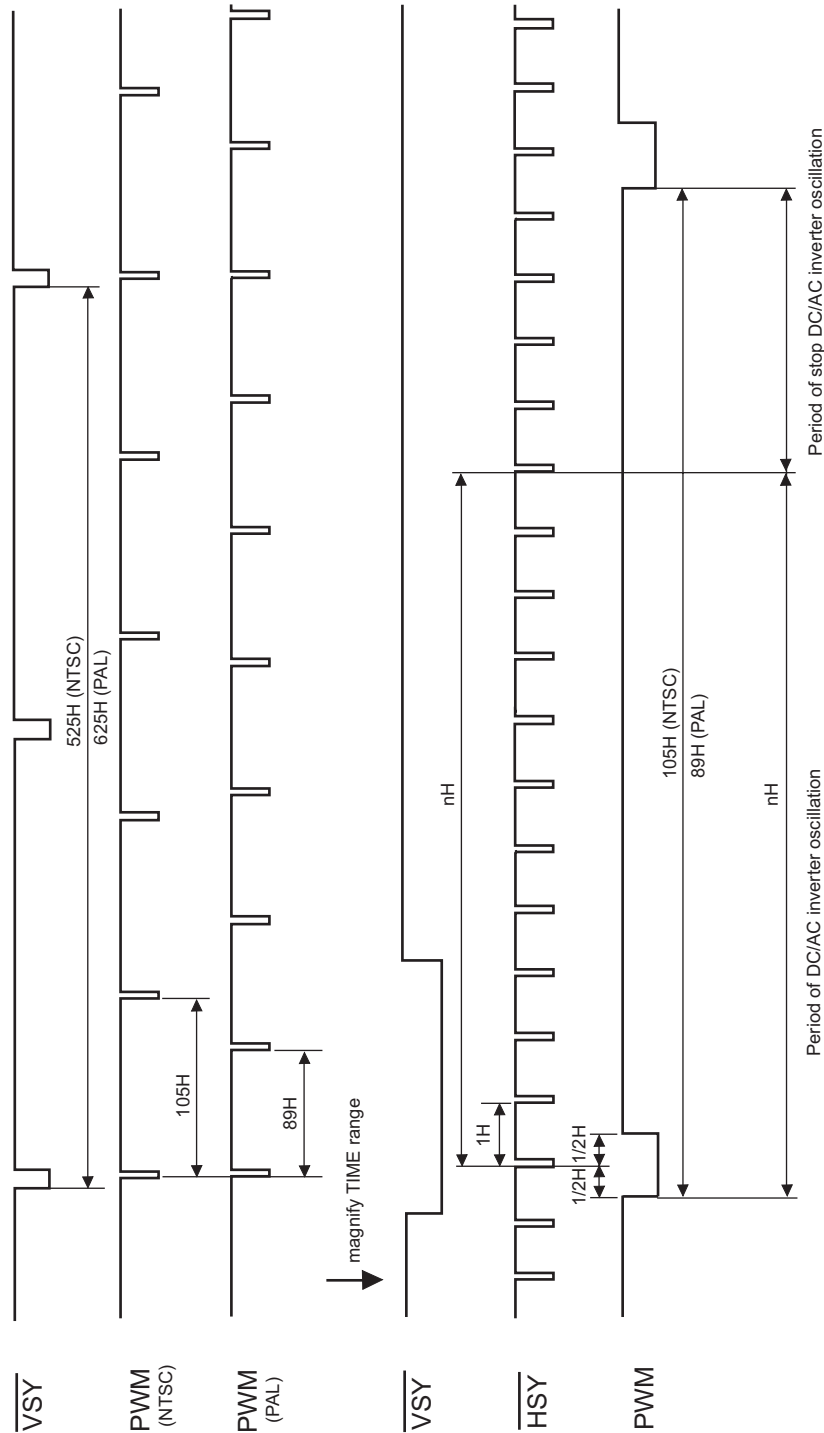
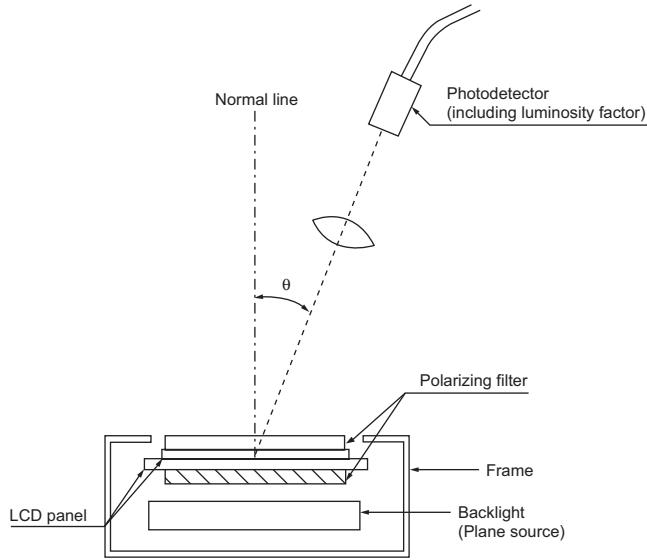


Fig. 7 PWM signal waveform for dimming backlight



Brightness: Less than 5000cd/m²
Wave length: To be cut less than 400nm

Fig. 9 Optical characteristics

ADJUSTING METHOD OF OPTIMUM COMMON ELECTRODE DC BIAS VOLTAGE

To obtain optimum DC bias voltage of common electrode driving signal (V_{CDC}). Photo-electric devices are very effective, and the accuracy is within 0.1V. (In visual examination method, the accuracy is about 0.5V because of the difference among individuals.)

To gain optimum common electrode DC bias voltage, there is the following method which uses the photoelectric device.

(Measurement of flicker)

DC bias voltage is adjusted so as to minimize NTSC: 60Hz (30Hz) PAL: 50Hz (25Hz) flicker.

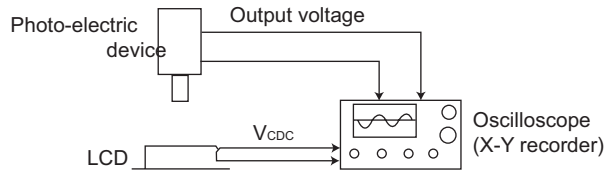
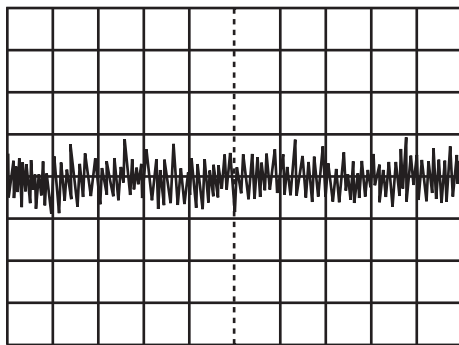


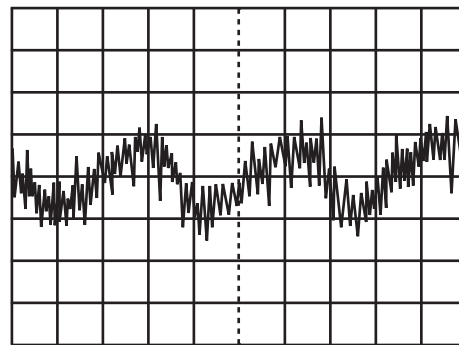
Fig. A Measurement system

Photo-electric output voltage is measured by an oscilloscope at a system shown in Fig. A.

DC bias voltage must be adjusted so as to minimize the NTSC:60Hz(30Hz) PAL:50Hz(25Hz) flicker with DC bias voltage changing slowly. (Fig. B)



DC bias: Optimum



DC bias: Optimum + 1V

Fig. B Waveforms of flicker