

SMD Single Output Passive Delay Lines

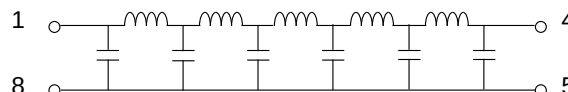
TIME DELAY nS (Bi-directional)	RISE TIME 20-80% nS Max	DCR Ohms Max	IMPEDANCE ±10%			
			55 Ω	75 Ω	93 Ω	100 Ω
0.5 ± 0.2	1.5	0.20	EPA2875G-.5H	EPA2875G-.5G	EPA2875G-.5 I	EPA2875G-.5B
1 ± 0.2	1.6	0.20	EPA2875G-1H	EPA2875G-1G	EPA2875G-1 I	EPA2875G-1B
2 ± 0.2	1.6	0.25	EPA2875G-2H	EPA2875G-2G	EPA2875G-2 I	EPA2875G-2B
3 ± 0.2	1.7	0.35	EPA2875G-3H	EPA2875G-3G	EPA2875G-3 I	EPA2875G-3B
4 ± 0.2	1.7	0.45	EPA2875G-4H	EPA2875G-4G	EPA2875G-4 I	EPA2875G-4B
5 ± 0.25	1.8	0.55	EPA2875G-5H	EPA2875G-5G	EPA2875G-5 I	EPA2875G-5B
6 ± 0.3	2.0	0.70	EPA2875G-6H	EPA2875G-6G	EPA2875G-6 I	EPA2875G-6B
7 ± 0.3	2.2	0.80	EPA2875G-7H	EPA2875G-7G	EPA2875G-7 I	EPA2875G-7B
8 ± 0.3	2.4	0.85	EPA2875G-8H	EPA2875G-8 G	EPA2875G-8 I	EPA2875G-8B
9 ± 0.3	2.6	0.90	EPA2875G-9H	EPA2875G-9 G	EPA2875G-9 I	EPA2875G-9B
10 ± 0.3	2.8	0.95	EPA2875G-10H	EPA2875G-10G	EPA2875G-10 I	EPA2875G-10B
11 ± 0.35	3.0	1.00	EPA2875G-11H	EPA2875G-11 G	EPA2875G-11 I	EPA2875G-11B
12 ± 0.35	3.2	1.05	EPA2875G-12H	EPA2875G-12 G	EPA2875G-12 I	EPA2875G-12B
13 ± 0.35	3.4	1.15	EPA2875G-13H	EPA2875G-13 G	EPA2875G-13I	EPA2875G-13B
14 ± 0.35	3.6	1.45	EPA2875G-14H	EPA2875G-14 G	EPA2875G-14 I	EPA2875G-14B
15 ± 0.4	3.8	1.60	EPA2875G-15H	EPA2875G-15 G	EPA2875G-15 I	EPA2875G-15B
16 ± 0.4	4.0	1.75	EPA2875G-16H	EPA2875G-16 G	EPA2875G-16 I	EPA2875G-16B
16.5 ± 0.45	4.1	1.80	EPA2875G-16.5H	EPA2875G-16.5 G	EPA2875G-16.5 I	EPA2875G-16.5B
18 ± 0.45	4.5	1.85	EPA2875G-18H	EPA2875G-18 G	EPA2875G-18 I	EPA2875G-18B
19 ± 0.5	4.8	1.90	EPA2875G-19H	EPA2875G-19 G	EPA2875G-19 I	EPA2875G-19B
20 ± 0.5	5.1	1.95	EPA2875G-20H	EPA2875G-20 G	EPA2875G-20 I	EPA2875G-20B

Note : Other time delays and impedance are available upon request.

Recommended Operating Conditions		Min	Max	Unit
PW*	Pulse Width % of Total Delay	200		%
D*	Duty Cycle		40	%
T _A	Operating Free Air Temperature	0	70	°C

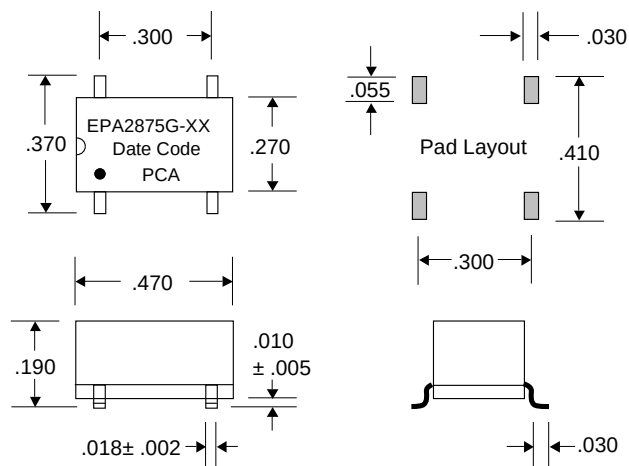
*These two values are inter-dependent.

Schematic



Input Pulse Test Conditions @ 25°C		
V _{IN}	Pulse Input Voltage	1.2 Volts
PW	Pulse Width % of Total Delay or 5 nS whichever is greater	300 %
T _{RI}	Input Rise Time (20-80%)	2.0 nS
PRR	Pulse Repetition Rate	1.0 MHz

Package Dimensions



Electrical Characteristics	Min	Max	Unit
Distortion		±10	%
Temperature Coefficient of Delay		100	PPM/°C
Insulation Resistance @ 100 Vdc	1K		Meg Ohms
Dielectric Strength		100	Vdc

DSA2875G Rev.2 11/5/97

QAF-CSO1 Rev. B 8/25/94

Unless Otherwise Noted Dimensions in Inches

Tolerances:
Fractional = ± 1/32
.XX = ± .030 .XXX = ± .010



16799 SCHOENBORN ST.
NORTH HILLS, CA 91343
TEL: (818) 892-0761
FAX: (818) 894-5791