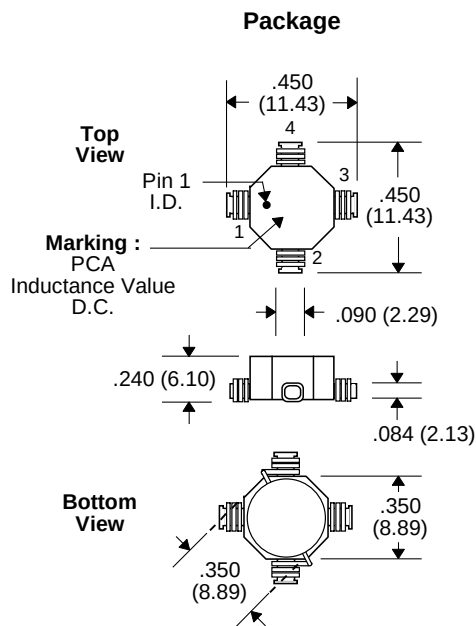


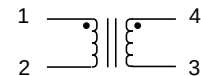
- Inductor or Isolation Transformer Application
- Add “-LF” after part number for Lead-Free
- Surface Mount Package
- Low Profile
- Class 13

Electrical Parameters @ 25° C

Parallel Inductance (μH)		Series Inductance (μH)		DCR (Ω Max.)		Hipot (Vrms)	Turns Ratio (± 5%)
@ 0 A	@ 2.10 A	@ 0 A	@ 1.05A	Parallel	Series		
9.83 ± 20%	6.73 min.	39.30 ± 20%	26.92 min.	.045	.179	60 secs	1 : 1
Pins 1-4/2-3	Pins 1-4/2-3	Pins 1-3 with 2-4 Shorted	Pins 1-3 with 2-4 Shorted	Pins 1-4/2-3	Pins 1-3 with 2-4 Shorted	Pin 1 to Pin 4	



Schematic



Notes :	EPA3390	EPA3390-LF
1. Lead Finish	SnPb	Hot Tin Dip (Sn)
2. Peak Solder Rating (for wave solder process Only)	225°C	260°C
3. Moisture Sensitive Levels (MSL) (per IPC/JEDEC-J-STD-020C)	1 (Unlimited, ≤30°C/60%RH)	1 (Unlimited, ≤30°C/60%RH)
4. Weight	TBD grams	TBD grams
5. Packaging Information (Tube)	TBD pcs / tube	TBD pcs / tube

Unless Otherwise Specified Dimensions are in Inches /mm ± .010 / .25