

Generic MCU with 64K Embedded Flash EPF011A/EPF011C/EPF011D

User Guide

V0.2

Revised: Nov. 07, 2007

Original Release Date: Jan. 16, 2006

Explore, Taiwan

Explore reserves the right to make changes without further notice to any products herein to improve reliability, function or design. Explore does not assume any liability arising out of the application or use of any product or circuit described herein; neither does it convey any license under its patent rights nor the rights of others. Explore products are not designed, intended, or authorized for use as components in systems intended for surgical implant into the body, or other applications intended to support or sustain life, or for any other application in which the failure of the Explore product could create a situation where personal injury or death may occur. Should Buyer purchase or use Explore products for any such unintended or unauthorized application, Buyer shall indemnify and hold Explore and its officers, employees, subsidiaries, affiliates, and distributors harmless against all claims, costs, damages, and expenses, and reasonable attorney fees arising out of, directly or indirectly, any claim of personal injury or death associated with such unintended or unauthorized use, even if such claim alleges that Explore was negligent regarding the design or manufacture of the part.

Revision History

Version Number	Revision Date	Author	Description of Changes
0.0	Jan/16/2006	Jerry Chen	Initial Version
0.1	Apr/20/2006	Jerry Chen	Update SPI io spec
0.2	Nov/07/2007	Ether Lai	Change EPF011D pin assignment; Change EPF011C pin assignment; Add Package Information; Add Electrical Characteristics;

Section 1 Introduction

1.1	Overview	9
1.2	Features	9

Section 2 Overview

2.1	Block Diagram	11
2.2	Pin Diagram	12
2.3	Pin Description	15
2.4	Operation Modes	16
2.4.1	Normal mode (OP_MODE = 0)	16
2.4.2	ICP mode (OP_MODE = 1)	16
2.5	Memory Organization	16
2.5.1	Program Flash Memory	16
2.5.2	Direct Data RAM	16
2.5.3	Auxiliary Data RAM	17
2.6	Special Function Registers (SFR)	18
2.6.1	Dual Data Pointer (DPTR)	19
2.6.2	Accumulator (acc)	19
2.6.3	Program Status Word (psw)	19
2.6.4	Stack Pointer (sp)	20
2.6.5	SFR list	20

Section 3 Interrupt

3.1	Interrupt overview	25
3.2	Priority level structure	26
3.3	Special Function Registers	26
3.3.1	Interrupt Enable register 0 (ien0)	26
3.3.2	Interrupt Enable register 1 (ien1)	27
3.3.3	Interrupt Priority register 0 (ip0)	28

Section 4 Power Management

4.1	General	31
4.1.1	Idle Mode	31
4.1.2	Stop Mode	31
4.2	SFR Register Description	31
4.2.1	Power Management Control register (pcon)	31

4.2.2 Clock Control register (clk_ctl)32

Section 5 Watchdog Timer

5.1 Watchdog Timer Description35
 5.2 Special Function Registers.....35
 5.2.1 Watchdog Timer Reload register (wdtrel)35
 5.3 Other Related SFR Register Description36
 5.3.1 Interrupt Enable register 0 (ien0).....36
 5.3.2 Interrupt Enable register 1 (ien1).....36
 5.3.3 Interrupt Priority register 0 (ip0).....37
 5.3.4 Clock Control register (clk_ctl)38

Section 6 Flash Control

6.1 General.....39
 6.2 SFR Register Description39
 6.2.1 Flash Control register (fls_ctl)39
 6.2.2 Flash Address High register (fls_addh)40
 6.2.3 Flash Address Low register (fls_addl).....40
 6.2.4 Flash Data In register (fls_din)40
 6.3 Flash Block Erase Example40
 6.4 Flash Programming Example41
 6.5 On-Chip PROG/ERASE subroutine.....41

Section 7 External Interrupts and Port 4

7.1 General.....43
 7.2 SFR Register Description43
 7.2.1 Port 4 register (p4)43
 7.2.2 Port 4 Direction register (p4d)43
 7.2.3 External Interrupt Polarity register (p4p)44
 7.2.4 External Interrupt Enable register (p4e)44
 7.2.5 External Interrupt Flag register (p4f)44
 7.3 Other Related SFR Register Description45
 7.3.1 Interrupt Enable register 0 (ien0)45

Section 8 Key Interrupts and Port 1

8.1 General.....47

8.2	SFR Register Description	47
8.2.1	Port 1 register (p1)	47
8.2.2	Port 1 Direction register (p1d)	47
8.2.3	Key Interrupt Selection register (kbi_en)	48
8.3	Other Related SFR Register Description	48
8.3.1	Interrupt Enable register 0 (ien0)	48

Section 9 Serial Port

9.1	Serial Interface modes.....	49
9.2	Multiprocessor Communication of Serial Port	49
9.3	Special Function Registers.....	50
9.3.1	Serial Port Control register (S0con).....	50
9.3.2	Serial Port Data Buffer register (s0buf)	51
9.3.3	Serial Port Baud Rate Reload register low (s0rell)	51
9.3.4	Serial Port Baud Rate Reload register high (s0relh)	51
9.4	Other Related SFR Register Description	52
9.4.1	Interrupt Enable register 0 (ien0)	52
9.4.2	Power Management Control register (pcon).....	53

Section 10 Timer

10.1	General.....	55
10.2	SFR Description	56
10.2.1	Timer Status register (tim_sta)	56
10.2.2	Timer Selection register (tim_sel)	57
10.2.3	Timer I/O register (tim_io)	58
10.2.4	Timer Control register (tim_ctl)	58
10.2.5	Prescale register (tim_pre)	59
10.2.6	Timer register (timer)	60
10.3	Other Related SFR Register Description	60
10.3.1	Interrupt Enable register 0 (ien0)	60

Section 11 PWM

11.1	General.....	63
11.2	SFR Register Description	63
11.2.1	PWM Control register (pwm_ctl).....	63
11.2.2	PWM Enable register (pwm_en)	64

11.2.3	PWM Period Control register (pwm_prd).....	64
11.2.4	PWM Duty Control register (pwm_dty).....	64

Section 12 IIC

12.1	General.....	65
12.2	SFR Register Description	65
12.2.1	IIC Selection register (iic_sel)	65
12.3	IIC0/IIC1 SFR Register Set Description.....	66
12.3.1	IIC_M Control register (iicm_ctl)	66
12.3.2	IIC_M Status register (iicm_sta)	67
12.3.3	IIC_M ID register (iicm_id)	68
12.3.4	IIC_M TX Data register (iicm_td)	68
12.3.5	IIC_M RX Data register (iicm_rd)	68
12.3.6	IIC_S Control register (iics_ctl)	69
12.3.7	IIC_S Status register (iics_sta)	70
12.3.8	IIC_S ID register (iics_id)	71
12.3.9	IIC_S RX Data register (iics_rd)	72
12.3.10	IIC_S ID Mask register (iics_idm)	72
12.4	Other Related SFR Register Description	72
12.4.1	Interrupt Enable register 0 (ien0)	72
12.4.2	Interrupt Enable register 1 (ien1)	73

Section 13 USB (Universal Serial Bus)

13.1	General.....	75
13.2	SFR Register Description	75
13.2.1	USB Control register 0 (usb_ctl0).....	75
13.2.2	USB Control register 1 (usb_ctl1).....	76
13.2.3	USB Control register 2 (usb_ctl2).....	77
13.2.4	USB Control register 3 (usb_ctl3).....	78
13.2.5	USB Control register 4 (usb_ctl4).....	79
13.2.6	USB Control register 5 (usb_ctl5).....	80
13.2.7	USB Status register 0 (usb_sta0)	80
13.2.8	USB Status register 1 (usb_sta1)	82
13.2.9	USB Status register 2 (usb_sta2)	83
13.2.10	USB Buffer Pointer register (usb_epp).....	83
13.2.11	USB Endpoint 0 Buffer register (usb_ep0)	84

13.2.12	USB Endpoint 1 Buffer register (usb_ep1)	84
13.2.13	USB Endpoint 2 Buffer register (usb_ep2)	84
13.3	Other Related SFR Register Description	85
13.3.1	Interrupt Enable register 0 (ien0)	85
13.3.2	Interrupt Enable register 1 (ien1)	85

Section 14 SPI

14.1	General	87
14.2	SPI Pins Description	87
14.3	SPI Timing Diagram	88
14.4	SFR Register Description	88
14.4.1	SPI Control register 1 (spi_ctl1)	89
14.4.2	SPI Control register 2 (spi_ctl2)	90
14.4.3	SPI Baud Rate register (spi_br)	91
14.4.4	SPI Data register (spi_d)	92
14.5	Other Related SFR Register Description	92
14.5.1	Interrupt Enable register 0 (ien0)	92
14.5.2	Interrupt Enable register 1 (ien1)	93

Section 15 ADC

15.1	General	95
15.2	SFR Register Description	95
15.2.1	ADC Control register 1 (adc_ctl1)	95
15.2.2	ADC Control register 2 (adc_ctl2)	95
15.2.3	ADC Enable register (adc_en)	96
15.2.4	ADC Data register (adc_d)	97
15.2.5	ADC I/O register (adc_io)	97
15.3	Other Related SFR Register Description	98
15.3.1	Interrupt Enable register 0 (ien0)	98
15.3.2	Interrupt Enable register 1 (ien1)	98

Section 16 CIR (Consumer Infra-Red Remote Decoder)

16.1	General	101
16.2	SFR Register Description	101
16.2.1	CIR Control register 1 (cir_ctl1)	101
16.2.2	CIR Control register 2 (cir_ctl2)	102

16.2.3	CIR Control register 3 (cir_ctl3).....	102
16.2.4	CIR Code register (cir_code)	103
16.3	Other Related SFR Register Description	103
16.3.1	Interrupt Enable register 0 (ien0)	103
16.3.2	Interrupt Enable register 1 (ien1)	104

Section 17 I/O Port 0

17.1	General.....	105
17.2	SFR Register Description	105
17.2.1	Port 0 register (p0)	105
17.2.2	Port 0 Direction register (p0d)	105
17.2.3	Port 0 Open Drain Control register (p0od).....	105

Section 18 I/O Port 2

18.1	General.....	107
18.2	SFR Register Description	107
18.2.1	Port 2 register (p2)	107
18.2.2	Port 2 Direction register (p2d)	107
18.2.3	Port 2 Open Drain Control register (p2od).....	107

Section 19 I/O Port 3

19.1	General.....	109
19.2	SFR Register Description	109
19.2.1	Port 3 register (p3)	109

Section 20 GPIO

20.1	General.....	111
20.2	SFR Register Description for Port 5~9	111
20.2.1	GPIO Port Selection register (gpio_sel).....	111
20.2.2	GPIO IO register (gpio_io)	111
20.2.3	GPIO Direction register (gpio_d).....	112
20.2.4	GPIO Open Drain Control register (gpio_od)	112

Appendix A Electrical Characteristics

A.1	DC Specification	114
A.2	AC Specification	116
A.2.1	SMBUS Timing	116

A.2.2 USB Electrical Characteristics 117

Appendix B Package

B.1 EPF011A Package 119
B.2 EPF011D Package 120
B.3 EPF011C Package 121

Section 1 Introduction

1.1 Overview

EPF011A/EPF011C/EPF011D is a low cost high performance Micro Controller. The chip integrates 80515 core, 64KB embedded Flash, 256 + 2KB RAM, Timer, Watchdog Timer, Serial Port, 8-bit PWM, SPI, IIC Slave, IIC Master, 10-bit ADC, USB 1.1, Remote Decoder, Keyboard Interrupt and GPIO in a single chip.

1.2 Features

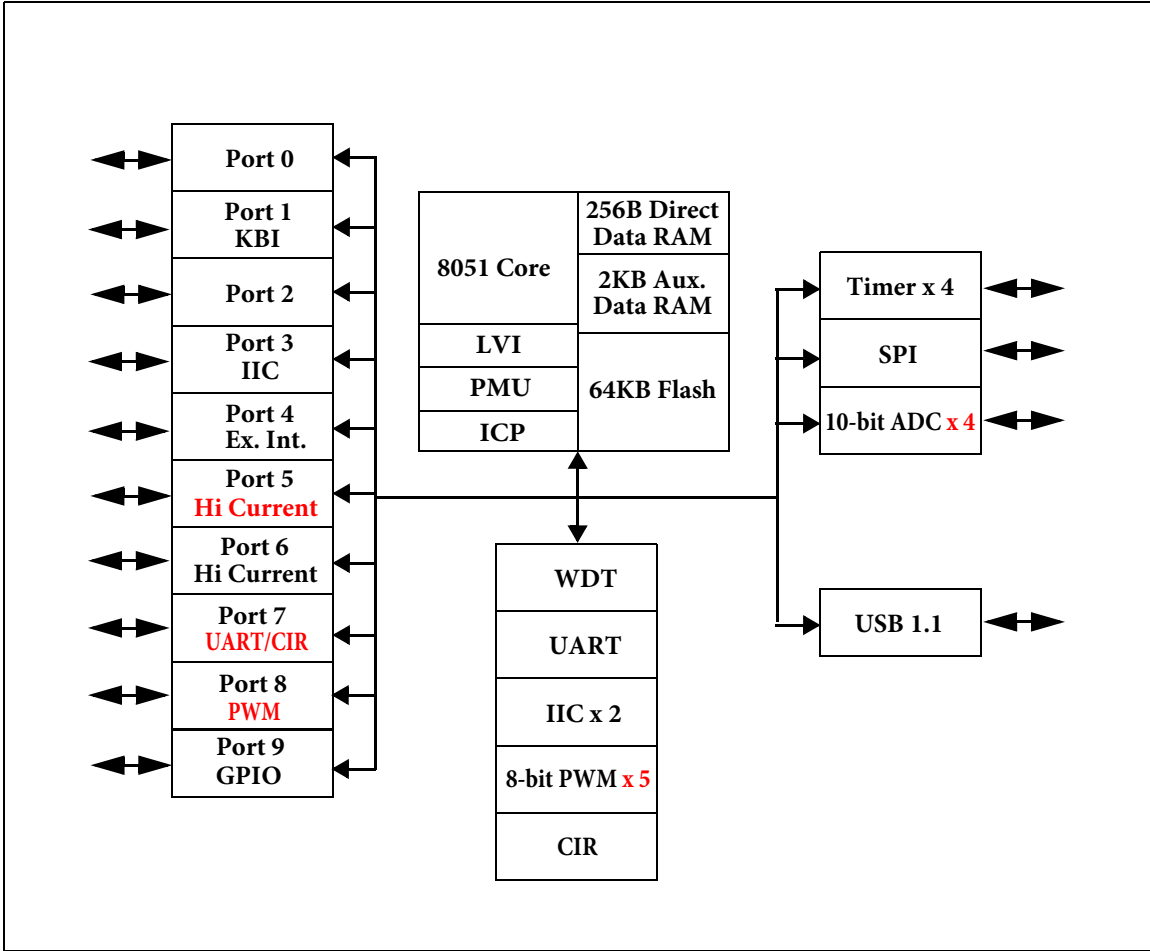
- On-chip 80515 core with 64K bytes Flash, 256 bytes Direct RAM and 2K bytes on-chip auxiliary RAM
- Fast CPU rate (24Mhz). 41.6 ns for shortest instruction
- Programmable CPU clocks from 24 Mhz to 500 Khz
- Programmable crystal start-up cycles from 0 to 4096 cycles
- Supports Idle mode and Stop mode for power saving.
- Supports crystal/CPU wake-up from Stop mode
- Supports In Circuit Flash programming (ICP)
- Supports 2 external interrupts
- Supports keyboard interrupt on 4 GPIO pins.
- On-chip 4 Timers supporting Timer, Pulse Output, Event Counter and Pulse Width Measurement modes
- On-chip 15-bit programmable Watchdog Timer
- On-chip Serial Port which supports Synchronous mode and 8/9-bit UART modes
- On-chip Serial Peripheral Interface (SPI)
- On-chip 4 channels of 8-bit PWM with programmable repetition rate
- On-chip 4 channels of 10-bit ADC
- On-chip IIC Master and Slave ports with configurable pin outs
- On-chip USB 1.1 which supports end-pint 0, 1 and 2
- On-chip Consumer Infra-Red Remote Receiver (CIR) which supports NEC and Phillips RC-5 protocols
- EPF011A supports 9 General Purpose I/O Ports (total 44 I/O pins). Among them, 6 ports are open-drain programmable and 2 ports has 20 mA sink capability. All I/O ports are 5V tolerant.
- EPF011D supports 9 General Purpose I/O Ports (total 31 I/O pins). Among them, 6 ports are open-drain programmable and 2 ports has 20 mA sink capability. All I/O ports are 5V tolerant.

- EPF011C supports 7 General Purpose I/O Ports (total 14 I/O pins). Among them, 4 ports are open-drain programmable and 1 ports has 20 mA sink capability. All I/O ports are 5V tolerant.
- Timer, SPI and ADC pins can be additional GPIO if the associated function is not enabled
- On-chip Low Voltage Inhibit (LVI) circuit which provides reliable power up reset and prevent accidental data loss in Flash
- Single 24 MHz crystal required
- Single 3.3V CMOS design
- 64-pin LQFP package (Pb-Free) for EPF011A, 48-pin LQFP package (Pb-Free) for EPF011D, 24-Pin SSOP (Pb-Free) for EPF011C

Section 2 Overview

2.1 Block Diagram

Figure 2-1 Block Diagram



2.2 Pin Diagram

Figure 2-2 EPF011A Pin Diagram

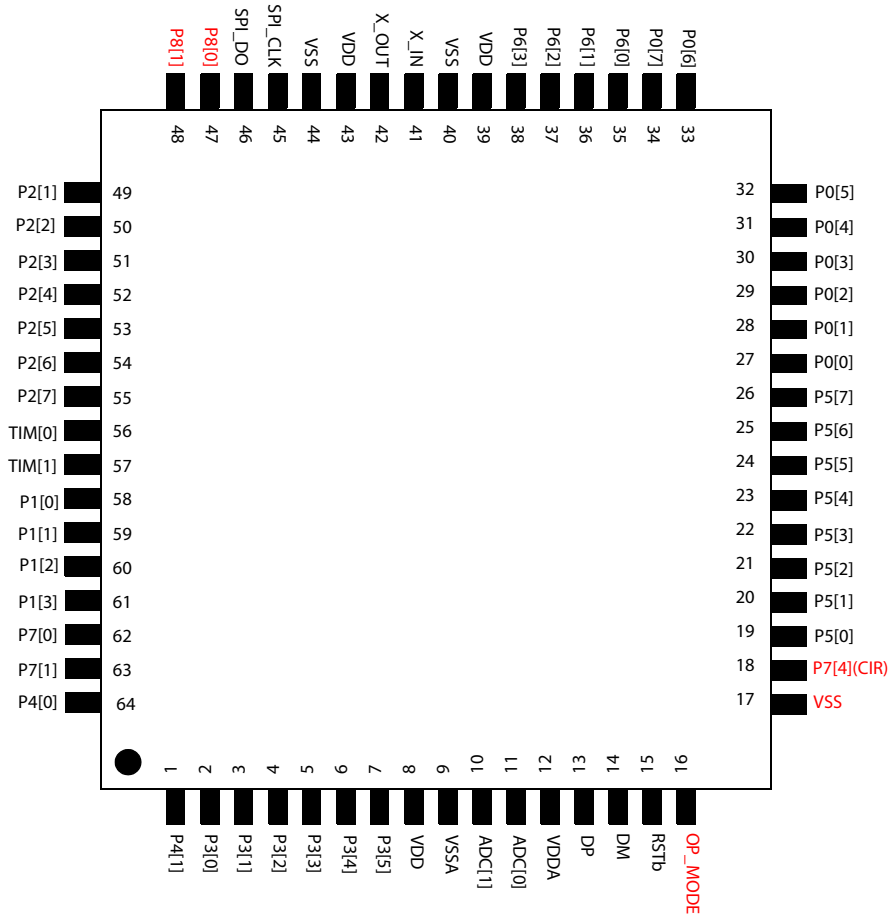


Figure 2-3 EPF011D Pin Diagram

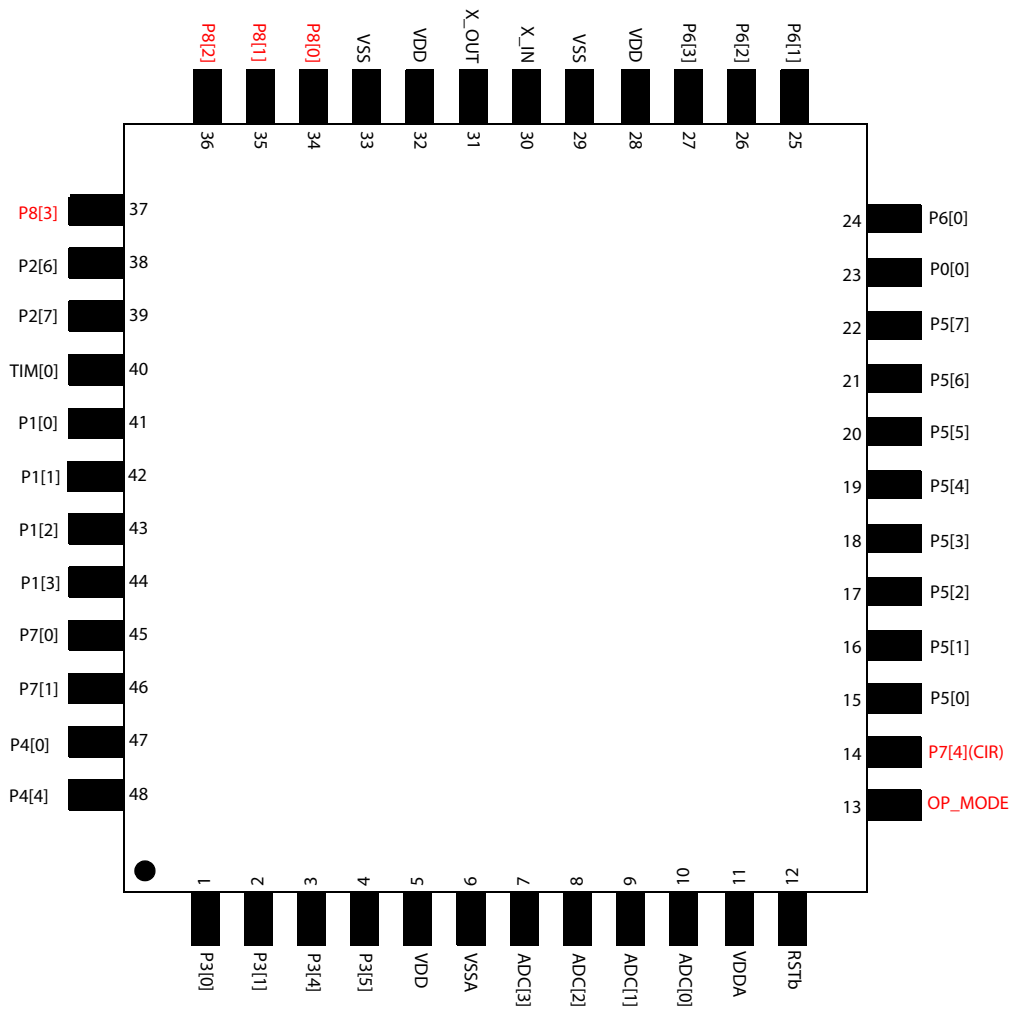
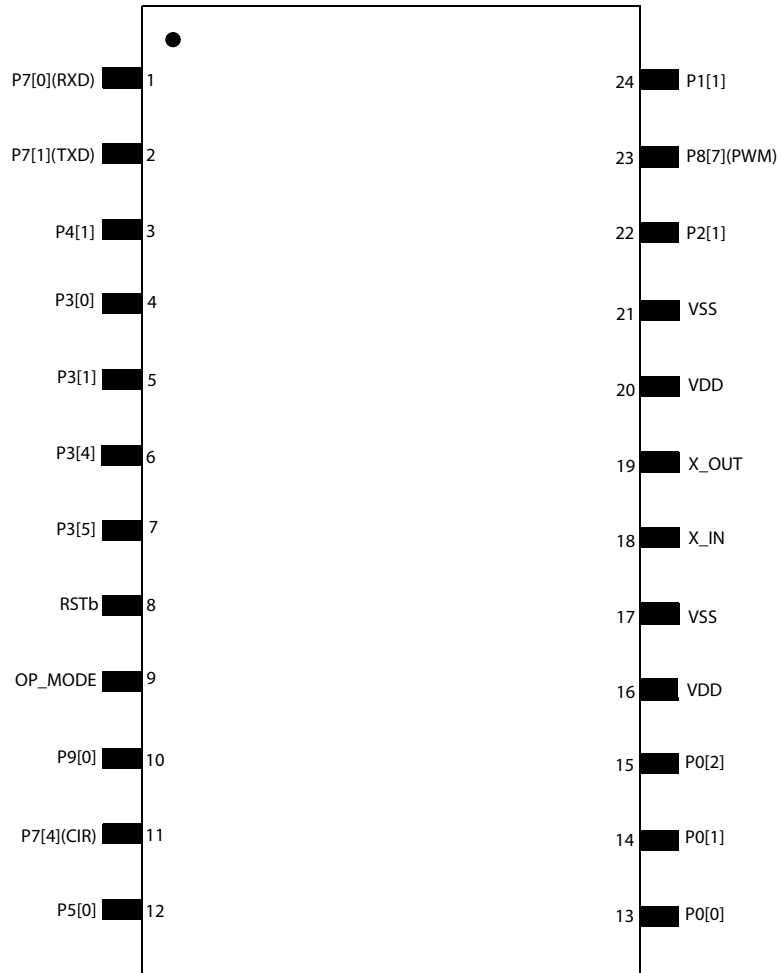


Figure 2-4 EPF011C Pin Diagram



2.3 Pin Description

Unless otherwise stated, unused input pins must be tied to ground, and unused output pins left open.

Table 2-1 Pin Description

Name	In/Out	Buffer Type	Description
OP_MODE	IN	IXDXXP	Chip operation mode. 0: Normal mode 1: ICP (In Circuit Flash Programming) mode
RSTb	IN/OUT	BDUX8P	External Reset (active low) with on-chip pull-up. When this pin is asserted low, the chip is totally reset. When the on-chip LVI circuit is generating a chip reset, a low level will be output from this pin.
X_IN	IN	XTL24P	24 Mhz crystal input
X_OUT	OUT	XTL24P	24 Mhz crystal output
P0[7:0]	IN/OUT	BRXX12P	GPIO port 0 with programmable Open Drain capability.
P1[3:0]	IN/OUT	BRUX8P	GPIO port 1 or Keyboard Interrupt inputs with internal 20K Ω pull-up to VDD
P2[7:1]	IN/OUT	BRXX8P	GPIO port 2 with programmable Open Drain capability.
P3[5:0]	OD IN/OUT	BRXX8P	Open Drain I/O port 3. P3[5:0] shared with IIC.
P4[4,1:0]	IN/OUT	BRXX8P	GPIO port 4 or External Interrupt inputs
P5[7:0]	IN/OUT	BRXX24P	GPIO port 5 with programmable Open Drain capability
P6[3:0]	IN/OUT	BRXX24P	GPIO port 6 with 20 mA drive
P7[4,1:0]	IN/OUT	BRXX8P	Open Drain I/O port 7. P7[1:0] shared with Serial Port. P7[4] share with CIR.
P8[7, 3:0]	IN/OUT	BRXX8P	GPIO port 8 with programmable Open Drain capability. P8[7] and P8[3:0] share with PWM
P9[0]	IN/OUT	BRXX8P	GPIO port 9 with programmable Open Drain capability.
TIM[1:0]	IN/OUT	BRXX8P	Timer In/Out or GPIO
SPI_CLK	IN/OUT	BRXX8P	SPI Clock Out or GPIO
SPI_DO	IN/OUT	BRXX8P	SPI Data In/Out or GPIO
DP	IN/OUT	USB	USB D+ In/Out or GPO
DM	IN/OUT	USB	USB D- In/Out or GPO
ADC[3:0]	IN/OUT	ADC	ADC Inputs or GPIO
VDDA	PWR	-	Analogue VDD (3.3V)
VSSA	PWR	-	Analogue Ground
VDD	PWR	-	Digital VDD (3.3V)
VSS	PWR	-	Digital Ground

2.4 Operation Modes

The chip provides 2 operation modes depending on pin status at OP_MODE pins.

2.4.1 Normal mode (OP_MODE = 0)

The chip is in normal operation. Program starts from \$0000 upon reset.

2.4.2 ICP mode (OP_MODE = 1)

The chip is operating the same as in normal mode except that program starts from \$F800 upon reset. \$F800 is the starting address of ICP boot-loader which downloads the main codes from external and programs into the Flash from \$0000 to \$EFFF. Note that if the chip is operating in normal mode but the first byte of the Flash (\$0000) is found erased (\$FF), the chip will jump to **\$F800** to start ICP boot-loader upon reset.

2.5 Memory Organization

There are 3 memory areas in this chip:

1. 64K bytes of Program Flash Memory from \$0000 to \$FFFF
2. 256 bytes of Direct Data RAM from \$00 to \$FF
3. 2K bytes of Auxiliary Data RAM from \$F800 to \$FFFF

2.5.1 Program Flash Memory

The Program Flash Memory is a Flash type program memory which can be erased/programmed on-chip. So, In Circuit Programming (ICP) is supported. This 64KB Flash memory store the codes to be executed by the CPU. After reset the CPU starts program execution from location \$0000 in normal mode and **\$F800** in ICP mode. ICP loader should start from **\$F800**. In normal mode, if the content of \$0000 is erased, the program execution will start from location **\$F800** automatically.

2.5.2 Direct Data RAM

The Direct Data RAM is a read/write type data memory which is addressed by 8-bit short address. This memory is divided into lower part (\$00 ~ \$7F) and upper part (\$80 ~ \$FF).

The lower part contains CPU working registers and bit-addressable memory. The lowest 32 bytes (\$00 ~ \$1F) form four banks or eight registers (R0~R7). Two bits in the PSW (Program Status Word) select which bank is in use. The next 16 bytes (\$20 ~ \$2F) form a block of bit-addressable memory space at bit addresses \$00~\$7F. This part of Direct Data RAM can be accessed by either direct or indirect addressing.

The upper part of Direct Data RAM can only be accessed by indirect addressing. Using direct addressing to access this part of memory will actually access the SFR (Special Function Register) which is not part of this memory.

2.5.3 Auxiliary Data RAM

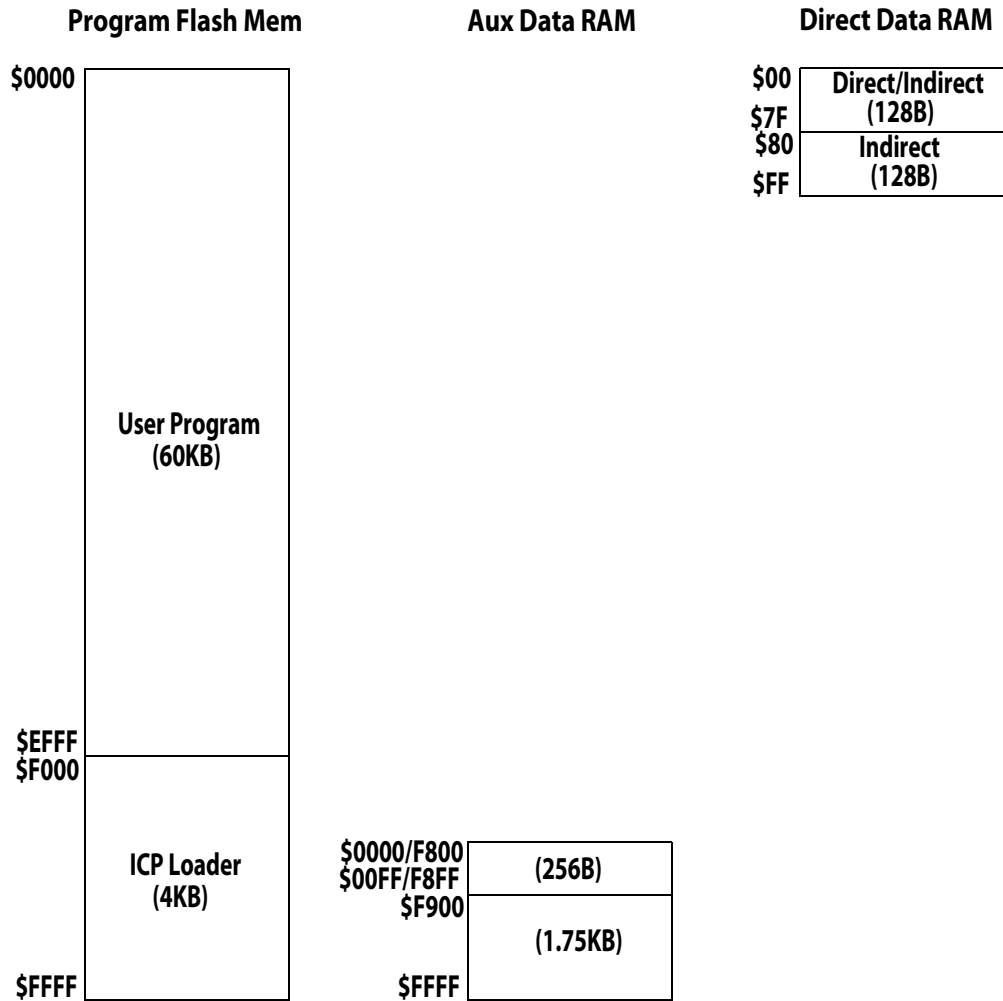
The Auxiliary Data RAM is a read/write type data memory which is addressed by an 8-bit short address from R0/R1 or by a 16-bit long address from DPTR. The lowest 256 bytes (\$F800 ~ \$F8FF) can be accessed by either R0/R1 or DPTR. The rest can only be accessed by DPTR.

The highest 256 bytes (\$FF00 ~ \$FFFF) are reserved for special purpose in ICP mode. ICP loader should not use these 256 bytes of Auxiliary Data RAM.

The Auxiliary Data RAM can be used to replace the highest 2K program space in Flash (\$F800~\$FFFF) when the mem_mode bit (bit-6 in Clock Control Register - SFR \$FF) is set. In this case the Auxiliary Data RAM will serve as program memory as well as data memory.

In External Access mode, the Auxiliary Data RAM is inhibited if mem_mode bit is cleared (reset state) and is enabled if mem_mode bit is set.

Figure 2-5 Memory Map



2.6 Special Function Registers (SFR)

Special function registers are on-chip registers which are designed with dedicated functions. These registers are accessed by direct addressing to the Internal Data RAM space from \$80 to \$FF. So a maximum total of 128 registers can be available.

2.6.1 Dual Data Pointer (DPTR)

The chip provides dual Data Pointer (DPTR) to facilitate block moves of data. The standard DPTR is a 16-bit register that is used to address Auxiliary Data RAM. With dual DPTR scheme, moving multi bytes of data from one location to another or moving multi bytes of codes from Program Memory to Data Memory can be much easier. Of the 2 DPTRs, only one can be selected for any activity which requires DPTR. A data pointer switch bit (dps) is designed to switch DPTR from one to another. The dps bit is implemented as a single bit SFR register (bit-0) located at \$92. Bit 1~7 in this register is not used.

2.6.2 Accumulator (acc)

Accumulator is used by the CPU to hold operand for most instructions. The mnemonics for accumulator specific instructions refer to accumulator as A. Accumulator is implemented as an SFR located at \$E0.

2.6.3 Program Status Word (psw)

Program Status Word is used by the CPU to report status after most arithmetic operations. 2 bits inside this register are used to select register banks. Program Status Word is implemented as an SFR located at \$D0.

Table 2-2 psw register

\$D0		7	6	5	4	3	2	1	0
R		cy	ac	-	rs[1:0]		ov	-	p
W									
Reset:		-	-	-	0	0	-	-	-

cy:

Carry flag.

ac:

Auxiliary Carry flag for BCD operations.

rs[1:0]:

Register bank select.

00 = Bank 0, \$00~\$07

01 = Bank 1, \$08~\$0F

10 = Bank 2, \$10~\$17

11 = Bank 3, \$08~\$1F

ov:

Overflow flag

p:

Parity flag affected by hardware to indicate odd/even number of "1" bits in the ACC, i.e. even parity.

2.6.4 Stack Pointer (sp)

Stack Pointer is a 1-byte register initialized to \$07 after reset. This register is incremented before PUSH and CALL instructions, causing the stack to begin at location \$08. Stack Pointer is implemented as an SFR located at \$81.

2.6.5 SFR list

The following table is a complete list for each SFR register:

Table 2-3 SFR list

Register	Location	Description
p0	\$80	I/O Port 0
sp	\$81	Stack Pointer
dpl	\$82	DPTR0 low byte
dph	\$83	DPTR0 high byte
dpl1	\$84	DPTR1 low byte
dph1	\$85	DPTR1 high byte
wdtrel	\$86	Watchdog Timer Reload Register
pcon	\$87	Power Management Control Register
tim_sta	\$88	Timer Status Register
tim_sel	\$89	Timer Selection Register
tim_io	\$8A	Timer I/O Register
tim_ctl	\$8B	Timer Control Register
tim_pre	\$8C	Timer Prescale Register
timer	\$8D	Timer Register
adc_ctl1	\$8E	ADC Control Register 1
adc_ctl2	\$8F	ADC Control Register 2
p1	\$90	I/O Port 1
adc_io	\$91	ADC I/O Register
dps	\$92	DPTR switch
-	\$93	-
-	\$94	-
-	\$95	-
-	\$96	-
adc_d	\$97	ADC Data Register
s0con	\$98	Serial Port Control Register
s0buf	\$99	Serial Port Data Buffer Register
gpio_io	\$9A	GPIO I/O Register
gpio_d	\$9B	GPIO Direction Control Register
gpio_od	\$9C	GPIO Open Drain Control Register
-	\$9D	-

Table 2-3 SFR list

Register	Location	Description
-	\$9E	-
-	\$9F	-
p2	\$A0	I/O Port 2
gpio_sel	\$A1	GPIO I/O Port Selection Register
-	\$A2	-
-	\$A3	-
cir_ctl1	\$A4	CIR Control Register 1
cir_ctl2	\$A5	CIR Control Register 2
cir_ctl3	\$A6	CIR Control Register 3
cir_code	\$A7	CIR Code Register
ien0	\$A8	Interrupt Enable Register 0
ip0	\$A9	Interrupt Priority Register 0
s0rell	\$AA	Serial Port Baud Rate Reload Register low byte
adc_en	\$AB	ADC Enable Register
pwm_ctl	\$AC	PWM Control Register
pwm_en	\$AD	PWM Enable Register
pwm_prd	\$AE	PWM Period Control Register
pwm_dty	\$AF	PWM Duty Control Register
p3	\$B0	I/O Port 3
iics_ctl	\$B1	IIC Slave Control Register
iics_sta	\$B2	IIC Slave Status Register
iics_id	\$B3	IIC Slave ID Register
iics_td	\$B4	IIC Slave Tx Data Register
iics_rd	\$B5	IIC Slave Rx Data Register
iics_idm	\$B6	IIC Slave ID Mask Register
iicm_ctl	\$B7	IIC Master Control Register
ien1	\$B8	Interrupt Enable Register 1
ip1	\$B9	Interrupt Priority Register 1
s0relh	\$BA	Serial Port Baud Rate Reload Register high byte
iic_sel	\$BB	IIC Selection Register
iicm_sta	\$BC	IIC Master Status Register
iicm_id	\$BD	IIC Master ID Register
iicm_td	\$BE	IIC Master Tx Data Register
iicm_rd	\$BF	IIC Master Rx Data Register
spi_ctl1	\$C0	SPI Control Register 1
spi_ctl2	\$C1	SPI Control Register 2
spi_br	\$C2	SPI Baud Rate Register
spi_d	\$C3	SPI Data Register
-	\$C4	-
-	\$C5	-
-	\$C6	-

Table 2-3 SFR list

Register	Location	Description
-	\$C7	-
p0od	\$C8	I/O Port 0 Open Drain Control Register
-	\$C9	-
-	\$CA	-
-	\$CB	-
-	\$CC	-
-	\$CD	-
-	\$CE	-
-	\$CF	-
psw	\$D0	Program Status Word
-	\$D1	-
-	\$D2	-
-	\$D3	-
-	\$D4	-
-	\$D5	-
-	\$D6	-
-	\$D7	-
p2od	\$D8	I/O Port 2 Open Drain Control Register
-	\$D9	-
-	\$DA	-
-	\$DB	-
-	\$DC	-
-	\$DD	-
-	\$DE	-
-	\$DF	-
acc	\$E0	Accumulator
-	\$E1	-
-	\$E2	-
-	\$E3	-
usb_ctl0	\$E4	USB Control Register 0
usb_ctl1	\$E5	USB Control Register 1
usb_ctl2	\$E6	USB Control Register 2
usb_ctl3	\$E7	USB Control Register 3
usb_ctl4	\$E8	USB Control Register 4
usb_ctl5	\$E9	USB Control Register 5
usb_sta0	\$EA	USB Status Register 0
usb_sta1	\$EB	USB Status Register 1
usb_sta2	\$EC	USB Status Register 2
usb_ep0	\$ED	USB End Point 0 Data Register
usb_ep1	\$EE	USB End Point 1 Data Register

Table 2-3 SFR list

Register	Location	Description
usb_ep2	\$EF	USB End Point 2 Data Register
b	\$F0	B register, used for MULAB instruction
kbi_en	\$F1	Key Interrupt Enable Register
p4	\$F2	I/O Port 4
p4d	\$F3	I/O Port 4 Direction Register
p4p	\$F4	External Interrupt Polarity Register
p4e	\$F5	External Interrupt Enable Register
p4f	\$F6	External Interrupt Flag Register
usb_epp	\$F7	USB End Point Buffer Pointer
fls_ctl	\$F8	Flash Control Register
fls_addh	\$F9	Flash Address Register high byte
fls_addl	\$FA	Flash Address Register low byte
fls_din	\$FB	Flash Data In Register
p0d	\$FC	I/O Port 0 Direction Register
p1d	\$FD	I/O Port 1 Direction Register
p2d	\$FE	I/O Port 2 Direction Register
clk_ctl	\$FF	Clock Control Register

Section 3 Interrupt

The chip provides 12 interrupt sources with four priority levels. Each source has its own request flag(s) located in special function registers. Interrupt requests generated by each module can be individually enabled or disabled.

3.1 Interrupt overview

When an interrupt occur, the processor will vector to the predetermined address as shown in the following table. Once interrupt service has begun, it can be interrupted only by a higher priority interrupt. The interrupt service is terminated by a return from interrupt instruction, "RETI". When an RETI is performed, the processor will return to the instruction that would have been next when the interrupt occurred.

When the interrupt condition occurs, usually a flag bit will be set. The flag bit is set regardless of whether the interrupt is enabled or disabled. If the interrupt is enabled, then an interrupt request flag is set. ON the next instruction cycle, the interrupt will be acknowledged by hardware forcing an LCALL to appropriate vector address.

Interrupt response will require a varying amount of time depending on the state of the processor when the interrupt occurs. If the processor is performing an interrupt service with equal or greater priority, the new interrupt will not be invoked. In other cases, the response time depends on the current instruction. The fastest possible response to an interrupt is 7 CPU cycles. This includes one cycle for detecting the interrupt and six cycles to perform the LCALL.

Table 3-1 Interrupt Vectors

Interrupt #	Vector Address	Interrupts
1	\$0003	External Interrupts
2	\$000B	Timer Interrupt
3	\$0013	Key Interrupt
4	\$001B	reserved
5	\$0023	Serial Port Interrupt
6	\$002B	reserved
7	\$0043	ADC Interrupt
8	\$004B	IIC0 Interrupts
9	\$0053	IIC1 Interrupts
10	\$005B	reserved
11	\$0063	USB Interrupts
12	\$006B	CIR Interrupt
13	\$0083	SPI Interrupt

3.2 Priority level structure

All interrupt sources are combined in 6 priority groups as shown in the following table:

Table 3-2 Interrupt Priority Groups

Priority Group	Polling Sequence	Interrupts
0	1	External Interrupts
	2	SPI Interrupts
	3	ADC Interrupt
1	4	Timer Interrupts
	5	IIC0 Interrupts
2	6	Key Interrupt
	7	IIC1 Interrupts
3	8	reserved
	9	reserved
4	10	Serial Port Interrupts
	11	USB Interrupts
5	12	reserved
	13	CIR Interrupt

Each group of interrupt sources can be programmed individually to one of four priority level by setting or clearing one bit in the special function register ip0 and in ip1. If requests of the same priority level are received simultaneously, an internal polling sequence determines which request is serviced first.

3.3 Special Function Registers

3.3.1 Interrupt Enable register 0 (ien0)

Table 3-3 ien0 register

\$A8		7	6	5	4	3	2	1	0
bit									
R									
W		eal	wdt	ex7	es0	et1	ex1	et0	ex0
Reset:		0	0	0	0	0	0	0	0

eal:

Set this bit to enable all interrupts.

1 = Enable all interrupts

0 = Disable all interrupts

wdt:

Not used for interrupt control.

ex7:

Reserved. Must leave this bit as 0.

es0:

Serial Port interrupts enable control.

1 = Enable Serial Port interrupts

0 = Disable Serial Port interrupts

et1:

Not used.

ex1:

Key interrupt enable control.

1 = Enable Key interrupt

0 = Disable Key interrupt

et0:

Timer interrupts enable control.

1 = Enable Timer interrupts

0 = Disable Timer interrupts

ex0:

External interrupts enable control.

1 = Enable External interrupts

0 = Disable External interrupts

3.3.2 Interrupt Enable register 1 (ien1)

Table 3-4 ien1 register

		\$B8							
bit		7	6	5	4	3	2	1	0
R									
W		ex8	swdt	ex6	ex5	ex4	ex3	ex2	eadc
Reset:		0	0	0	0	0	0	0	0

ex8:

SPI interrupt enable control.

1 = Enable SPI interrupts

0 = Disable SPI interrupts

swdt:

Not used for interrupt control

ex6:

CIR interrupt enable control.

1 = Enable CIR interrupts

0 = Disable CIR interrupts

ex5:

USB interrupts enable control.
 1 = Enable USB interrupts
 0 = Disable USB interrupts

ex4:

Reserved. Must leave this bit as 0.

ex3:

IIC1 interrupts enable control.
 1 = Enable IIC1 interrupts
 0 = Disable IIC1 interrupts

ex2:

IIC0 interrupts enable control.
 1 = Enable IIC0 interrupts
 0 = Disable IIC0 interrupts

eadc:

ADC interrupts enable control.
 1 = Enable ADC interrupts
 0 = Disable ADC interrupts

3.3.3 Interrupt Priority register 0 (ip0)

Table 3-5 ip0 register

		\$A9							
bit		7	6	5	4	3	2	1	0
R		owds	wdts	ip0.5	ip0.4	ip0.3	ip0.2	ip0.1	ip0.0
W									
Reset:		0	0	0	0	0	0	0	0

owds:

Not used for interrupt control.

wdts:

Not used for interrupt control.

ip0.5 ~ ip0.0:

Set interrupt priority level for each priority group. See the following tables.

3.3.3.1 Interrupt Priority register 1 (ip1)

Table 3-6 ip1 register

		\$B9							
bit		7	6	5	4	3	2	1	0
R		-	-	ip1.5	ip1.4	ip1.3	ip1.2	ip1.1	ip1.0
W		-	-	ip1.5	ip1.4	ip1.3	ip1.2	ip1.1	ip1.0
Reset:		0	0	0	0	0	0	0	0

ip1.5 ~ ip1.0:

Set interrupt priority level for each priority group. See the following tables.

Table 3-7 Priority levels

ip1.x	ip0.x	Priority level
0	0	Level0(lowest)
0	1	Level1
1	0	Level2
1	1	Level3

Table 3-8 Group of Priority

Bit	Priority Group
ip1.0, ip0.0	0
ip1.1, ip0.1	1
ip1.2, ip0.2	2
ip1.3, ip0.3	3
ip1.4, ip0.4	4
ip1.5, ip0.5	5

Section 4 Power Management

4.1 General

The chip provides various power saving modes for low power operation. In normal operation, CPU clock rate can be programmed to achieve best trade-off between power consumption and CPU speed. In Idle mode, CPU clock is stopped while peripheral clock is running. In Stop mode, all the clocks are stopped to achieve lowest power consumption.

4.1.1 Idle Mode

In Idle mode, the CPU clock is stopped. Power consumption drops because CPU is not active. Peripheral clock are kept running. In this mode, CPU can be waken up by any interrupt or reset.

4.1.2 Stop Mode

In Stop mode, all the clocks including the CPU clock and Peripheral clock are stopped to achieve lowest power consumption. In this mode, CPU can only be waken up by External Interrupts, Keyboard Interrupt, SMBUS Interrupt or reset.

If the chip is waken up from STOP mode, it will wait for a programmable start up period to expire before CPU resumes operation.

4.2 SFR Register Description

4.2.1 Power Management Control register (pcon)

Table 4-1 pcon register

\$87		7	6	5	4	3	2	1	0
R		smod	-	-	-	gf1	gf0	stop	idle
W									
Reset:		0	-	-	-	0	0	0	0

smod:

Not used for Power Management.

gf1:

Not used for Power Management.

gf0:

Not used for Power Management.

stop:

Stop mode control bit. Set this bit by software to enter Stop mode. This bit is always read as 0.

stop:

Idle mode control bit. Set this bit by software to enter Idle mode. This bit is always read as 0.

4.2.2 Clock Control register (clk_ctl)

Table 4-2 clk_ctl

		\$FF								
bit		7	6	5	4	3	2	1	0	
R		wdt_opt		mem_mode		start_up[2:0]			clk_rate[2:0]	
W										
Reset:		0	0	1	1	1	0	0	1	

wdt_opt:

This bit provides a Watch Dog Reset option.

- 1 = All the registers in peripheral and I/O are reset by both hardware reset (pin reset or power reset) and Watch Dog Reset. The Clock Control Register however is reset by hardware reset only.
- 0 = All the registers in peripheral and I/O are reset by hardware reset only.

mem_mode:

Set this bit to make the Auxiliary Data RAM to replace the highest 2K program space in Flash (\$F800~\$FFFF). In this case the Auxiliary Data RAM will serve as program memory as well as data memory

- 1 = Switch the highest 2K program space from Flash to the Auxiliary Data RAM
- 0 = Keep the highest 2K program space in Flash.

start_up[2:0]:

When the chip is powered up or waken up from Stop mode, it will wait for a programmable start up period to expire before CPU resumes operation. This register specifies the start up period.

- 000 = 0 crystal clocks
- 001 = 64 crystal clocks
- 010 = 128 crystal clocks
- 011 = 256 crystal clocks
- 100 = 512 crystal clocks
- 101 = 1024 crystal clocks
- 110 = 2048 crystal clocks
- 111 = 4096 crystal clocks

clk_rate[2:0]:

This register specifies the CPU clock rate.

- 000 = CPU Clock rate = Crystal Clock rate
- 001 = CPU Clock rate = Crystal Clock rate/2
- 010 = CPU Clock rate = Crystal Clock rate/4
- 011 = CPU Clock rate = Crystal Clock rate/8
- 100 = CPU Clock rate = Crystal Clock rate/16
- 101 = CPU Clock rate = Crystal Clock rate/32
- 110 = CPU Clock rate = Crystal Clock rate/64

111 = CPU Clock rate = Crystal Clock rate/128

Section 5 Watchdog Timer

The chip provide a Watchdog Timer which is used to monitor if the program is running properly.

5.1 Watchdog Timer Description

The Watchdog Timer consists of a 15-bit counter (wdtc), a 7-bit reload register (wdtrel) and control logic. When the chip is initially powered up or reset by pin, the Watchdog Timer is not active and wdtc is cleared. The Watchdog Timer can then activated by software by refreshing the Watchdog Timer. Once the Watchdog Timer is activated, it can not be stopped unless a power reset or pin reset occurs.

If the Watchdog Timer is active, wdtc will be counting up at a rate of 1/24 or 1/384 CPU clock rate depending on register setting. When wdtc enters the state \$7FFC, a signal wdts will be generated to trigger CPU reset.

The Watchdog Timer must be refreshed regularly to prevent wdts from being generated. To refresh the Watchdog Timer, the programmer is required to issue two instructions. The first instruction sets wdt bit and the second instruction sets swdt bit. The maximum delay allowed between setting wdt and swdt is 12 CPU clock cycles. If this period has expired and swdt has not been set, wdt is automatically cleared. Otherwise the most significant 7 bits of wdtc is reloaded with the content of wdtrel.

5.2 Special Function Registers

5.2.1 Watchdog Timer Reload register (wdtrel)

Table 5-1 wdtrel register

		\$86							
bit		7	6	5	4	3	2	1	0
R									
W		ps	wdtrel[6:0]						
Reset:		0	0	0	0	0	0	0	0

ps:

Prescaler selection bit.

1 = Watchdog Timer is counting at a rate 1/384 CPU clock rate

0 = Watchdog Timer is counting at a rate 1/24 CPU clock rate

wdtrel[6:0]:

Defines the 7-bit reload value. This value is loaded to the higher 7 bits of wdtc when a refresh is triggered by a consecutive setting of bits wdt and swdt.

5.3 Other Related SFR Register Description

5.3.1 Interrupt Enable register 0 (ien0)

Table 5-2 ien0 register

		\$A8							
bit		7	6	5	4	3	2	1	0
R		eal	wdt	ex7	es0	et1	ex1	et0	ex0
W									
Reset:		0	0	0	0	0	0	0	0

eal:

Not used for Watchdog Timer.

wdt:

Set this bit to initiate a refresh of the Watchdog Timer. Must be set directly before swdt is set to prevent an unintentional refresh of the Watchdog Timer. This bit is auto cleared 12 CPU cycles after it is set.

ex7:

Not used for Watchdog Timer.

es0:

Not used for Watchdog Timer.

et1:

Not used for Watchdog Timer.

ex1:

Not used for Watchdog Timer.

et0:

Not used for Watchdog Timer.

ex0:

Not used for Watchdog Timer.

5.3.2 Interrupt Enable register 1 (ien1)

Table 5-3 ien1 register

		\$B8							
bit		7	6	5	4	3	2	1	0
R		ex8	swdt	ex6	ex5	ex4	ex3	ex2	eadc
W									
Reset:		0	0	0	0	0	0	0	0

ex8:

Not used for Watchdog Timer.

swdt:

Set this bit to activate/refresh the Watchdog Timer. When directly set after wdt is set, a Watchdog Timer refresh is performed. This bit is auto cleared 12 CPU cycles after it is set.

ex6:

Not used for Watchdog Timer.

ex5:

Not used for Watchdog Timer.

ex4:

Not used for Watchdog Timer.

ex3:

Not used for Watchdog Timer.

ex2:

Not used for Watchdog Timer.

eadc:

Not used for Watchdog Timer.

5.3.3 Interrupt Priority register 0 (ip0)

Table 5-4 ip0 register

		\$A9							
bit		7	6	5	4	3	2	1	0
R									
W		owds	wdts	ip0.5	ip0.4	ip0.3	ip0.2	ip0.1	ip0.0
Reset:		0	0	0	0	0	0	0	0

owds:

Not used for Watchdog Timer.

wdts:

This bit is read only. It is set when wdts enters the state \$7FFC. When this bit is set, a CPU reset is triggered. After CPU reset, this bit is cleared.

ip0.5:

Not used for Watchdog Timer.

ip0.4:

Not used for Watchdog Timer.

ip0.3:

Not used for Watchdog Timer.

ip0.2:

Not used for Watchdog Timer.

ip0.1:

Not used for Watchdog Timer.

ip0.0:

Not used for Watchdog Timer.

5.3.4 Clock Control register (clk_ctl)

Table 5-5 clk_ctl

		\$FF								
bit		7	6	5	4	3	2	1	0	
R		wdt_opt		mem_mode		start_up[2:0]			clk_rate[2:0]	
W										
Reset:		0	0	1	1	1	0	0	1	

wdt_opt:

This bit provides a Watch Dog Reset option.

- 1 = All the registers in peripheral and I/O are reset by both hardware reset (pin reset or power reset) and Watch Dog Reset. The Clock Control Register however is reset by hardware reset only.
- 0 = All the registers in peripheral and I/O are reset by hardware reset only.

mem_mode:

Not used for Watchdog Timer.

start_up[2:0]:

Not used for Watchdog Timer.

clk_rate[2:0]:

Not used for Watchdog Timer.

Section 6 Flash Control

6.1 General

The chip provides on-chip flash memory as program storage. The on-chip flash memory can be programmed or erased by codes reside in the same flash memory. On-chip PROG and ERASE subroutines and a set of control registers are provided for this purpose.

6.2 SFR Register Description

6.2.1 Flash Control register (fls_ctl)

Table 6-1 fls_ctl register

\$F8		7	6	5	4	3	2	1	0
bit									
R									
W		icp	prot	xe	ye	erase	mas1	prog	nvstr
Reset:		0	0	0	0	0	0	0	0

icp:

This bit is used by the on-chip PROGRAM/ERASE subroutine. It is set at the start of the subroutines and cleared at the end of the subroutines. When this bit toggles, all the other bit in fls_con register are cleared.

prot:

This bit needs to be set before the erase and prog bits can be set.

xe:

Set to enable X address of the flash memory.

ye:

Set to enable Y address of the flash memory.

erase:

Set this bit after writing \$AA to fls_din register will perform flash erase. This bit is used in conjunction with nvstr bit to control flash erase procedure.

mas1:

Set this bit after writing \$55 to fls_din register will put the flash memory in master erase mode. Otherwise the flash memory will stay in block erase mode if erase operation is performed.

prog:

This bit is used in conjunction with nvstr bit to control flash program procedure.

nvstr:

This bit is used in conjunction with erase bit and prog bit to control flash erase/program procedure.

6.2.2 Flash Address High register (fls_addh)

Table 6-2 fls_addh register

		\$F9							
bit		7	6	5	4	3	2	1	0
R		fls_addh[7:0]							
W									
Reset:		0	0	0	0	0	0	0	0

fls_addh[7:0]:

This register holds the higher 8-bit of the flash memory address for erase/program operation.

6.2.3 Flash Address Low register (fls_addl)

Table 6-3 fls_addl register

		\$FA							
bit		7	6	5	4	3	2	1	0
R		fls_addl[7:0]							
W									
Reset:		0	0	0	0	0	0	0	0

fls_addl[7:0]:

This register holds the lower 8-bit of the flash memory address for erase/program operation.

6.2.4 Flash Data In register (fls_din)

Table 6-4 fls_din register

		\$FB							
bit		7	6	5	4	3	2	1	0
R		fls_din[7:0]							
W									
Reset:		0	0	0	0	0	0	0	0

fls_din[7:0]:

This register holds the 8-bit data to be programmed into the flash memory during the flash programming procedure.

6.3 Flash Block Erase Example

// Erase a 512-byte block starting \$F800

```
J0: MOV $F9, #$F8    // fls_addh <= Flash Address high byte
    MOV $FA, #$00    // fls_addl <= Flash Address low byte
```

```
LCALL $FF80      // Call ERASE subroutine
```

6.4 Flash Programming Example

```
// Program 16 bytes data in Internal RAM pointed by R1 to Flash Memory starting $f800
```

```
J1:  MOV $F9, #$F8      // fls_addh <= Flash Address high byte
      MOV $FA, #$00      // fls_addl <= Flash Address low byte
      MOV R3, #16        // R3 as data byte count
      MOV R1, #$40       // R1 as data buffer pointer
      LCALL $FFC0        // Call PROG subroutine
```

6.5 On-Chip PROG/ERASE subroutine

The on-chip PROG subroutine (starting \$FFC0) and ERASE subroutine (starting \$FF80) are programmed to the last 128 bytes of the flash memory before shipping. User is recommended to use these 2 subroutines to program/erase the flash memory and should not erase these 2 subroutines. To call these 2 subroutines please follow the notes stated below:

- Note: 1. Disable all interrupt and reset watch dog timer to > 20ms before call to the subroutine.
 2. fls_addh register must be written before call.
 3. ACC, R1, R2, R3 and DPTR are used by the subroutines. They should be saved before call if needed.

Section 7 External Interrupts and Port 4

7.1 General

The chip has 2 External Interrupt sources: ext_int0 and ext_int1. Each interrupt can be programmed as either rising edge sensitive or falling edge sensitive. The 2 external interrupt inputs are shared with Port 4[1:0]. Each external interrupt can be enabled or disabled individually. If it is disabled, it can be used as an I/O and the pin direction is programmable.

Each External Interrupt has the capability of wake up the chip from either STOP mode or IDLE mode. If the chip is waken up from STOP mode, it will wait for a programmable start up period to expire before the interrupt is serviced.

7.2 SFR Register Description

7.2.1 Port 4 register (p4)

Table 7-1 p4 register

		\$F2							
bit		7	6	5	4	3	2	1	0
R		-	-	-	-	-	-	p4[1:0]	
W		-	-	-	-	-	-	p4[1:0]	
Reset:		-	-	-	0	0	0	0	0

p4[1:0]:

Read value from this register reflects the pin state of Port 4. Write value to this register specifies the output level of each bit in Port 4. The content is only useful if the corresponding External Interrupt bit is disabled and the I/O direction is programmed as output.

7.2.2 Port 4 Direction register (p4d)

Table 7-2 p4d register

		\$F3							
bit		7	6	5	4	3	2	1	0
R		-	-	-	-	-	-	p4d[1:0]	
W		-	-	-	-	-	-	p4d[1:0]	
Reset:		-	-	-	1	1	1	1	1

p4d[1:0]:

Specifies the I/O direction of Port 4. A "1" means the corresponding I/O bit is input. A "0" means the corresponding I/O bit is output. The content is only useful if the corresponding External Interrupt bit is disabled.

7.2.3 External Interrupt Polarity register (p4p)

Table 7-3 p4p register

\$F4							
bit	7	6	5	4	3	2	1 0
R	-	-	-	-	-	-	p4p[1:0]
W	-	-	-	-	-	-	p4p[1:0]
Reset:	-	-	-	0	0	0	0 0

p4p[1:0]:

Specifies the polarity of each External Interrupt. A "1" means the corresponding external interrupt is falling edge sensitive. A "0" means the corresponding external interrupt is rising edge sensitive.

7.2.4 External Interrupt Enable register (p4e)

Table 7-4 p4e register

\$F5							
bit	7	6	5	4	3	2	1 0
R	cir_we	reserved	-	-	-	-	p4e[1:0]
W	cir_we	reserved	-	-	-	-	p4e[1:0]
Reset:	0	0	-	0	0	0	0 0

cir_we:

Set this bit to allow the chip to wake up by CIR from stop mode when active level at CIR input is detected.

1 = Allow the chip to wake up by CIR from stop mode

0 = Disallow the chip to wake up by CIR from stop mode

reserved:

Must leave this bit as 0.

p4e[1:0]:

A "1" means the corresponding External Interrupt is enabled. A "0" means the corresponding External Interrupt is disabled. When the External Interrupt is disabled, the corresponding interrupt flag is still active even the pin is used as I/O. In this case, the interrupt flag serves as an edge detector.

7.2.5 External Interrupt Flag register (p4f)

Table 7-5 p4f register

\$F6							
bit	7	6	5	4	3	2	1 0
R	-	-	-	-	-	-	p4f[1:0]
W	-	-	-	-	-	-	p4f[1:0]
Reset:	-	-	-	0	0	0	0 0

p4f[1:0]:

External Interrupt flags. When there is a valid edge transition is observed at an External Interrupt pin, the corresponding flag bit will be set doesn't matter the interrupt is enabled or not. If the interrupt is enabled, setting of the flag bit will trigger interrupt. The flag needs to be cleared by software by writing a "1" to the corresponding bit after the interrupt is serviced. Otherwise, it will keep triggering interrupt.

7.3 Other Related SFR Register Description

7.3.1 Interrupt Enable register 0 (ien0)

Table 7-6 ien0 register

\$A8		7	6	5	4	3	2	1	0
bit									
R									
W									
Reset:		0	0	0	0	0	0	0	0
		eal	wdt	ex7	es0	et1	ex1	et0	ext

eal:

If this bit is cleared, all the interrupts will be disabled.

wdt:

Not used for External Interrupt.

ex7:

Not used for External Interrupt.

es0:

Not used for External Interrupt.

et1:

Not used for External Interrupt.

ex1:

Not used for External Interrupt.

et0:

Not used for External Interrupt.

ex0:

If this bit is cleared, all the External Interrupts will be disabled.

Section 8 Key Interrupts and Port 1

8.1 General

The chip has a Key Interrupt source which can be triggered by any combination of Port 1 pins. A transition from all-pin-high to any-pin-low at the selected Port 1 pins will trigger Key Interrupt if enabled. Unselected Port 1 pins can be used as general purpose I/O with programmable direction.

Key Interrupt has the capability of waking up the chip from either STOP mode or IDLE mode. If the chip is waken up from STOP mode, it will wait for a programmable start up period to expire before the interrupt is serviced.

8.2 SFR Register Description

8.2.1 Port 1 register (p1)

Table 8-1 p1 register

		\$90							
bit		7	6	5	4	3	2	1	0
R		-	-	-	-	p1[3:0]			
W		-	-	-	-	p1[3:0]			
Reset:		0	0	0	0	0	0	0	0

p1[3:0]:

Read value from this register reflects the pin state of Port 1. Write value to this register specifies the output level of each bit in Port 1. The content is only useful if the corresponding bit is not selected for Key Interrupt input and the I/O direction is programmed as output.

8.2.2 Port 1 Direction register (p1d)

Table 8-2 p1d register

		\$FD							
bit		7	6	5	4	3	2	1	0
R		-	-	-	-	p1d[3:0]			
W		-	-	-	-	p1d[3:0]			
Reset:		1	1	1	1	1	1	1	1

p1d[3:0]:

Specifies the I/O direction of Port 1. A "1" means the corresponding I/O bit is input. A "0" means the corresponding I/O bit is output. The content is only useful if the corresponding bit is not selected for Key Interrupt input.

8.2.3 Key Interrupt Selection register (kbi_en)

Table 8-3 kbi_en register

		\$F1							
bit		7	6	5	4	3	2	1	0
R		-	-	-	-	kbi_en[3:0]			
W		-	-	-	-	kbi_en[3:0]			
Reset:		0	0	0	0	0	0	0	0

kbi_en[3:0]:

A "1" means the corresponding bit is selected for Key Interrupt input.

8.3 Other Related SFR Register Description

8.3.1 Interrupt Enable register 0 (ien0)

Table 8-4 ien0 register

		\$A8							
bit		7	6	5	4	3	2	1	0
R		eal	wdt	ex7	es0	et1	ex1	et0	ext
W		eal	wdt	ex7	es0	et1	ex1	et0	ext
Reset:		0	0	0	0	0	0	0	0

eal:

If this bit is cleared, all the interrupts will be disabled.

wdt:

Not used for Key Interrupt.

ex7:

Not used for Key Interrupt.

es0:

Not used for Key Interrupt.

et1:

Not used for Key Interrupt.

ex1:

If this bit is cleared, Key Interrupt will be disabled.

et0:

Not used for Key Interrupt.

ex0:

Not used for Key Interrupt.

Section 9 Serial Port

The chip provide a Serial I/O Port. The Serial Port uses rxd0/txd0 pins for data transfer. These 2 pins are shared with I/O Port 7[0]/[1] respectively.

The Serial Port consists of two separate registers, a transmit buffer and receive buffer. Writing data to the Special Function Register S0buf sets this data in the serial output buffer and starts transmission. Reading from the S0buf reads data from the serial receive buffer. The Serial Port can simultaneously transmit and receive data. It can also buffer 1 byte at receive, preventing the receive data from being lost if the CPU reads the first byte before transmission of the second byte is completed.

9.1 Serial Interface modes

The Serial Port can operate in 4 modes:

a) Mode 0

Pin rxd0 serves as an input and an output. Txd0 outputs the shift clock. 8 bits are transmitted starting with the LSB. The baud rate is fixed at 1/12 of Fcpu (the CPU clock frequency). Reception is initialized in Mode 0 by setting the flags in s0con as follows: ri0=0 and ren0=1. In other modes, when ren0=1, a start bit initiates receiving serial data.

b) Mode 1

Pin rxd0 serves as an input, and txd0 serves as a serial output. No external shift clock is used. 10 bits are transmitted: a start bit (always 0), 8 data bits (LSB first), and a stop bit (always 1). On receive, a start bit synchronizes the transmission. 8 data bits are available by reading s0buf, and the stop bit sets the flag rb80 in the Special Function Register s0con. In mode 1 the internal baud rate generator is used to specify the baud rate.

c) Mode 2

This mode is similar to Mode 1, with two differences. The baud rate is fixed at 1/32 or 1/64 of Fcpu and 11 bits are transmitted or received: a start bit(0), 8 data bits (LSB first), a programmable 9th, and a stop bit(1). The 9th bit can be used to control the parity of the serial interface: at transmission, bit tb80 in S0CON is output as the 9th bit, and at receive, the 9th bit affects rb80 in the Special Function Register s0con.

d) Mode 3

The only difference between Mode 2 and Mode 3 is that in Mode 3, the internal baud rate generator is used to specify the baud rate.

9.2 Multiprocessor Communication of Serial Port

The feature of receiving 9 bits in Modes 2 and 3 can be used for multiprocessor communication. In this case, the slave processors have bit sm20 in s0con or sm21 in m1con set to 1. When the master processor outputs the slave address, it sets the 9th bit to 1 causing a serial port receive interrupt in all slaves. The slave

processors compare the received byte with their network address. If there is a match, the addressed slave will clear sm20 or sm21 and receive the rest of the message, while other slaves will leave sm20 or sm21 bit unaffected and ignore this message. After addressing the slave, the host will output the rest of the message with the 9th bit set to 0, so no serial port receive interrupt will be generated in unselected slaves.

9.3 Special Function Registers

9.3.1 Serial Port Control register (S0con)

The function of the serial port depends on the setting of the Serial Port Control Register s0con.

The s0con register

Table 9-1 s0con register

		\$98							
bit		7	6	5	4	3	2	1	0
R		sm[1:0]		sm20	ren0	tb80	rb80	ti0	ri0
W		sm[1:0]		sm20	ren0	tb80	rb80	ti0	ri0
Reset:		0	0	0	0	0	0	0	0

sm[1:0]:

Sets Serial Port operating mode.

Table 9-2 Serial Port 0 modes

sm[1]	sm[0]	mode	Description	Baud Rate
0	0	0	shift register	Fcpu/12
0	1	1	8-bit UART	Variable
1	0	2	9-bit UART	Fcpu/32 or /64
1	1	3	9-bit UART	Variable

Note: The speed in Mode 2 depends on the smod bit in the Special Function Register pcon when smod = 1, baud rate is Fcpu/32.

sm20:

Enables multiprocessor communication feature.(see description above)

ren0:

If set, enables serial reception. Cleared by software to disable reception.

tb80:

The 9th transmitted data bit in Modes 2 and 3. Set or cleared by the CPU, depending on the function it performs (parity check, multiprocessor communication etc.)

rb80:

In Mode 2 and 3 it is the 9th data bit received. In Mode 1, if sm20 is 0 rb80 is the stop bit. In Mode 0 the bit is not used. Must be cleared by software.

ti0:

Transmit interrupt flag, set by hardware after completion of a serial transfer. Must be cleared by software by writing a "0" to the bit location.

ri0:

Receive interrupt flag, set by hardware after completion of a serial reception. Must be cleared by software by writing a "0" to the bit location.

9.3.2 Serial Port Data Buffer register (s0buf)

Table 9-3 s0buf register

		\$99							
bit		7	6	5	4	3	2	1	0
R		s0buf[7:0]							
W									
Reset:		0	0	0	0	0	0	0	0

's0buf[7:0]:

s0buf[7:0] is the Serial Port data buffer. Writing data to this register will set the serial output buffer and start transmission. Reading data from this register actually read the data received in the serial input buffer.

9.3.3 Serial Port Baud Rate Reload register low (s0rell)

Table 9-4 s0rell register

		\$AA							
bit		7	6	5	4	3	2	1	0
R		s0rell[7:0]							
W									
Reset:		1	1	0	1	1	0	0	1

's0rell[7:0]:

This register in conjunction of s0rell[1:0] programs the baud rate if the Serial Port is working in mode 1 and 3.

9.3.4 Serial Port Baud Rate Reload register high (s0relh)

Table 9-5 s0relh register

		\$BA							
bit		7	6	5	4	3	2	1	0
R								s0relh[1:0]	
W		-	-	-	-	-	-		
Reset:		-	-	-	-	-	-	1	1

's0relh[1:0]:

This register in conjunction of s0rell[7:0] programs the baud rate if the Serial Port is working in mode 1 and 3. The baud rate is calculated as follows:

$$\text{baud rate} = 2^{\text{smod}} \times \text{Fcpu} / (64 \times (2^{10} - \text{s0rel}))$$

Note: s0rel = {s0relh[1:0], s0rell[7:0]}

9.4 Other Related SFR Register Description

9.4.1 Interrupt Enable register 0 (ien0)

Table 9-6 ien0 register

\$A8									
bit	7	6	5	4	3	2	1	0	
R	eal	wdt	ex7	es0	et1	ex1	et0	ext	
W	0	0	0	0	0	0	0	0	
Reset:	0	0	0	0	0	0	0	0	

eal:

If this bit is cleared, all the interrupts will be disabled.

wdt:

Not used for Serial Port.

ex7:

Not used for Serial Port.

es0:

If this bit is cleared, all the Serial Port interrupts will be disabled.

et1:

Not used for Serial Port.

ex1:

Not used for Serial Port.

et0:

Not used for Serial Port.

ex0:

Not used for Serial Port.

9.4.2 Power Management Control register (pcon)

Table 9-7 pcon register

		\$87							
bit		7	6	5	4	3	2	1	0
R									
W		smod	-	-	-	gf1	gf0	stop	idle
Reset:		0	-	-	-	0	0	0	0

smod:

This bit affects the baud rate calculation for the Serial Port. This bit is usually set to achieve higher baud rate accuracy when fast baud rate is desired.

gf1:

Not used for Serial Port.

gf0:

Not used for Serial Port.

stop:

Not used for Serial Port.

idle:

Not used for Serial Port.

Section 10 Timer

10.1 General

The chip has 4 timers: Timer 0, Timer 1, Timer 2 and Timer 3. The functionality of the 4 timers are all identical. Each timer has a pair of 8-bit prescale register/counter and a pair of 8-bit timer register/counter. The clock source for each timer can be programmed independently which is divided from crystal clock by 2, 4, 8 or 16. Both the prescale and timer counters are count down type. The counter reloads the value from the register each time the counter is underflow. If the value programmed in the register is n , the dividing ratio for the counter is $(n+1)$. The timer counter counts only when the prescale counter reaches 0. Timer 0 and Timer 1 an associated I/O pin (one of TIM[1:0] pins). The I/O pin is used when the timer is operating in Pulse Output, Event Counting or Pulse Width Measurement modes. When the timer is not enabled or the timer is not working in above modes, the I/O pin can be used as general purpose I/O.

Timer 2 and Timer 3 has only one operation modes (Timer Mode). Timer 0 and 1 has 4 operation modes:

1. Timer Mode

The prescale/timer counter is counted by the selected clock source (crystal clock divided by 2/4/8/16). When the timer counter is underflow, the timer interrupt flag is set. The associated I/O pin can be used as general purpose I/O.

2. Pulse Output Mode

The associated I/O pin is an output. The prescale/timer counter is counted by the selected clock source (crystal clock divided by 2/4/8/16). When the timer counter is underflow, the timer interrupt flag is set and the associated I/O pin is inverted.

3. Event Counter Mode

The associated I/O pin is an input. The prescale/timer counter is counted by the programmed edge of the associated I/O pin. When the timer counter is underflow, the timer interrupt flag is set.

3. Pulse Width Measurement Mode

The associated I/O pin is an input. The prescale/timer counter is counted by the selected clock source (crystal clock divided by 2/4/8/16) when the associated I/O pin is at the programmed active level. When the timer counter is underflow, the timer interrupt flag is set. When the associated I/O pin switches from active level to inactive level, the measurement interrupt flag is set. When the associated I/O pin switches from inactive level to active level, the prescale/timer counters are reloaded and starts to count again.

10.2 SFR Description

10.2.1 Timer Status register (tim_sta)

Table 10-1 tim_sta register

		\$88							
bit		7	6	5	4	3	2	1	0
R									
W		mif3	mif2	mif1	mif0	tif3	tif2	tif1	tif0
Reset:		0	0	0	0	0	0	0	0

mif3:

Timer 3 measurement interrupt Flag. This bit is set when TIM3 pin switches from active level to inactive level when the timer is operating in Pulse Width Measurement Mode. If Timer 3 mie bit is set, interrupt will occur. It is required for software to clear this bit after the service is completed. This bit is cleared by writing a "1" to the bit location.

mif2:

Timer 2 measurement interrupt Flag. This bit is set when TIM2 pin switches from active level to inactive level when the timer is operating in Pulse Width Measurement Mode. If Timer 2 mie bit is set, interrupt will occur. It is required for software to clear this bit after the service is completed. This bit is cleared by writing a "1" to the bit location.

mif1:

Timer 1 measurement interrupt Flag. This bit is set when TIM1 pin switches from active level to inactive level when the timer is operating in Pulse Width Measurement Mode. If Timer 1 mie bit is set, interrupt will occur. It is required for software to clear this bit after the service is completed. This bit is cleared by writing a "1" to the bit location.

mif0:

Timer 0 measurement interrupt Flag. This bit is set when TIM0 pin switches from active level to inactive level when the timer is operating in Pulse Width Measurement Mode. If Timer 0 mie bit is set, interrupt will occur. It is required for software to clear this bit after the service is completed. This bit is cleared by writing a "1" to the bit location.

tif3:

Timer 3 timer interrupt Flag. This bit is set when the timer counter is underflow in all modes. if Timer 3 tie bit is set, interrupt will occur. It is required for software to clear this bit after the service is completed. This bit is cleared by writing a "1" to the bit location.

tif2:

Timer 2 timer interrupt Flag. This bit is set when the timer counter is underflow in all modes. if Timer 2 tie bit is set, interrupt will occur. It is required for software to clear this bit after the service is completed. This bit is cleared by writing a "1" to the bit location.

tif1:

Timer 1 timer interrupt Flag. This bit is set when the timer counter is underflow in all modes. if Timer 1 tie bit is set, interrupt will occur. It is required for software to clear this bit after the service is completed. This bit is cleared by writing a "1" to the bit location.

tif0:

Timer 0 timer interrupt Flag. This bit is set when the timer counter is underflow in all modes. if Timer 0 tie bit is set, interrupt will occur. It is required for software to clear this bit after the service is completed. This bit is cleared by writing a "1" to the bit location.

10.2.2 Timer Selection register (tim_sel)

Table 10-2 tim_sel register

		\$89							
bit		7	6	5	4	3	2	1	0
R									
W		en3	en2	en1	en0	-	-	tim_sel[1:0]	
Reset:		0	0	0	0	-	-	0	1

en3:

Set this bit to enable Timer 3.

- 1 = Timer 3 is enabled
- 0 = Timer 3 is disabled

en2:

Set this bit to enable Timer 2.

- 1 = Timer 2 is enabled
- 0 = Timer 2 is disabled

en1:

Set this bit to enable Timer 1.

- 1 = Timer 1 is enabled
- 0 = Timer 1 is disabled

en0:

Set this bit to enable Timer 0.

- 1 = Timer 0 is enabled
- 0 = Timer 0 is disabled

tim_sel[1:0]:

The control/prescale/timer registers for the 4 timers share the same SFR addresses. These 2 bits selects the set of the control/prescale/timer registers to be accessed.

- 00 = Timer 0 is selected
- 01 = Timer 1 is selected
- 10 = Timer 2 is selected
- 11 = Timer 3 is selected

10.2.3 Timer I/O register (tim_io)

Table 10-3 tim_io register

		\$8A							
bit		7	6	5	4	3	2	1	0
R		-	-	iod1	iod0	-	-	io1	io0
W		-	-	iod1	iod0	-	-	io1	io0
Reset:		1	1	1	1	0	0	0	0

iod1:

If Timer 1 is working in Timer Mode or if it is not enabled, TIM1 pin becomes an I/O pin. This bit specifies the I/O direction. A "1" means input and a "0" means output.

iod0:

If Timer 0 is working in Timer Mode or if it is not enabled, TIM0 pin becomes an I/O pin. This bit specifies the I/O direction. A "1" means input and a "0" means output.

io1:

If Timer 1 is working in Timer Mode or if it is not enabled, TIM1 pin becomes an I/O pin. This bit specifies the output level of TIM1 pin if it is programmed as output. The TIM1 pin state can be read from this bit doesn't matter if it is used as I/O or not.

io0:

If Timer 0 is working in Timer Mode or if it is not enabled, TIM0 pin becomes an I/O pin. This bit specifies the output level of TIM0 pin if it is programmed as output. The TIM0 pin state can be read from this bit doesn't matter if it is used as I/O or not.

10.2.4 Timer Control register (tim_ctl)

Table 10-4 tim_ctl register

		\$8B							
bit		7	6	5	4	3	2	1	0
R		mie	tie	clk_sel[1:0]		stop	pol	mode[1:0]	
W		mie	tie	clk_sel[1:0]		stop	pol	mode[1:0]	
Reset:		0	0	0	0	0	0	0	0

mie:

This bit enables an interrupt to occur when the associated measurement interrupt flag bit (mif0/1/2/3) is set.

- 1 = Enable measurement interrupt
- 0 = Disable measurement interrupt

tie:

This bit enables an interrupt to occur when the associated timer interrupt flag bit (tif0/1/2/3) is set.

- 1 = Enable timer interrupt
- 0 = Disable timer interrupt

clk_sel[1:0]:

These 2 bits select the timer clock source for use in Timer Mode, Pulse Output Mode or Pulse Width Measurement mode.

- 00 = Crystal clock divided by 16
- 01 = Crystal clock divided by 8
- 10 = Crystal clock divided by 4
- 11 = Crystal clock divided by 2

stop:

Set this bit will cause the prescale/timer counters to stop counting in all modes.

- 1 = Stop counting
- 0 = Normal

pol:

This bit specifies the initial state, active edge or active level of the associated I/O pin in Pulse Output, Event Counter, and Pulse Width Measurement modes respectively

- 1 = Initial high, falling edge, active low
- 0 = Initial low, rising edge, active high

mode[1:0]:

These 2 bits select the timer operating mode.

- 00 = Timer mode
- 01 = Pulse Output mode (not available for Timer 2 and 3)
- 10 = Event Counter mode (not available for Timer 2 and 3)
- 11 = Pulse Width Measurement mode (not available for Timer 2 and 3)

10.2.5 Prescale register (tim_pre)

Table 10-5 tim_pre register

		\$8C							
bit		7	6	5	4	3	2	1	0
R		pre[7:0]							
W									
Reset:		0	0	0	0	0	0	0	0

pre[7:0]:

Write to this register will write the value to the prescale register. Read from this register will read the value from the prescale counter. When the prescale counter is counted down to 0, the value in the prescale register will be loaded to the prescale counter at the following count.

10.2.6 Timer register (timer)

Table 10-6 timer register

		\$8D							
bit		7	6	5	4	3	2	1	0
R		timer[7:0]							
W									
Reset:		0	0	0	0	0	0	0	0

timer[7:0]:

Write to this register will write the value to the timer register. Read from this register will read the value from the timer counter. When the timer counter is counted down to 0, the value in the timer register will be loaded to the timer counter at the following count.

10.3 Other Related SFR Register Description

10.3.1 Interrupt Enable register 0 (ien0)

Table 10-7 ien0 register

		\$A8							
bit		7	6	5	4	3	2	1	0
R		eal	wdt	ex7	es0	et1	ex1	et0	ext
W									
Reset:		0	0	0	0	0	0	0	0

eal:

If this bit is cleared, all the interrupts will be disabled.

wdt:

Not used for Timer.

ex7:

Not used for Timer.

es0:

Not used for Timer.

et1:

Not used for Timer.

ex1:

Not used for Timer.

et0:

If this bit is cleared, all Timer interrupts will be disabled.

ex0:

Not used for Timer.

Section 11 PWM

11.1 General

The chip provides 5 channels of 8-bit PWM outputs. Each PWM can be enabled or disabled individually. The 5 channels PWM shares with GPIO port 8. If a PWM channel is enabled, the corresponding GPIO port 8 pin serves as PWM output. Otherwise the pin serves as GPIO port 8.

There are 1 Period Control Register and 1 Duty Control Register associated with each PWM. The Period Control Register controls the repetition rate of the PWM output and the Duty Control Register controls the duty cycle of the PWM output.

11.2 SFR Register Description

11.2.1 PWM Control register (pwm_ctl)

Table 11-1 pwm_ctl register

		SAC							
bit		7	6	5	4	3	2	1	0
R		-	-	pwm_div[1:0]		-	pwm_sel[2:0]		
W		-	-	pwm_div[1:0]		-	pwm_sel[2:0]		
Reset:		-	-	0		-	0	0	0

pwm_div[1:0]:

PWM clock divider control.

00 = PWM clock is from crystal clock

01 = PWM clock is derived from crystal clock divided by 2

10 = PWM clock is derived from crystal clock divided by 3

11 = PWM clock is derived from crystal clock divided by 4

pwm_sel[2:0]:

To save the number of SFR registers used, the 4 PWM channels shares the same SFR addresses for the Period/Duty control registers. These 3 bits select the PWM channel of which the Period/Duty control registers are to be accessed.

000 = PWM channel 0 is selected

001 = PWM channel 1 is selected

010 = PWM channel 2 is selected

011 = PWM channel 3 is selected

111 = PWM channel 7 is selected

11.2.2 PWM Enable register (pwm_en)

Table 11-2 pwm_en register

		\$AD							
bit		7	6	5	4	3	2	1	0
R		pwm_en[7]		-	-	-	pwm_en[3:0]		
W		pwm_en[7]		-	-	-	pwm_en[3:0]		
Reset:		0	0	0	0	0	0	0	0

pwm_en[7, 3:0]:

Set the bit in this register to enable the corresponding PWM channel. If the bit is cleared, PWM is disabled and the corresponding pin becomes a general purpose I/O pin.

11.2.3 PWM Period Control register (pwm_prd)

Table 11-3 pwm_prd register

		\$AE							
bit		7	6	5	4	3	2	1	0
R		pwm_prd[7:0]							
W		pwm_prd[7:0]							
Reset:		0	0	0	0	0	0	0	0

pwm_prd[7:0]:

This register defines the repetition rate of the PWM. If the number programmed in this register is n, the PWM repetition rate will be PWM Clock Frequency/(n+1)/255.

11.2.4 PWM Duty Control register (pwm_dty)

Table 11-4 pwm_dty register

		\$AF							
bit		7	6	5	4	3	2	1	0
R		pwm_dty[7:0]							
W		pwm_dty[7:0]							
Reset:		0	0	0	0	0	0	0	0

pwm_dty[7:0]:

This register defines the duty cycle of the PWM. If the number programmed in this register is m, the PWM high duty in one repetition cycle is m/255.

Section 12 IIC

12.1 General

The chip supports 2 IIC modules (IIC0 and IIC1). The 2 IIC modules are identical. Each IIC module is composed of an IIC_Master (IIC_M) and an IIC_Slave (IIC_S) sub-module. Each IIC module uses 1 clock input/output (SCL) and 1 data input/output (SDA) to transfer data with external IIC or IIC devices.

The IIC_Master supports Multi-Master and Repeated Start. The IIC clock rate is programmable.

The IIC_Slave supports Repeated Start and has the capability of stretching IIC clock (holding SCL low) to wait for data processing. The IIC_Slave also supports Time Out detection. When the module is driving SCL low for more than 25 ms, Time Out occurs. The module will release SCL and SDA lines immediately.

SCL and SDA are assigned to one of two pairs of I/O Port 3 pins. IIC0 SCL/SDA is assigned to Port 3[0]/Port 3[1] as a primary port or Port 3[2]/Port 3[3] as an alternative port depending on register setting. IIC1 SCL/SDA is assigned to Port 3[4]/Port 3[5] as a primary port. Alternative port is not available for IIC1.

The corresponding bits of Port 3 register (p3) must be written "1" to make the I/O tri-stated so that the pins can be used as SCL and SDA. External pull-up are required for the pins used.

12.2 SFR Register Description

The SFR registers for the 2 IIC modules are assigned with identical addresses. A `iic_sel` bit in IIC Selection register is used to select IIC0 or IIC1 SFR register set for accessing.

12.2.1 IIC Selection register (`iic_sel`)

Table 12-1 `iic_sel` register

		SBB							
bit		7	6	5	4	3	2	1	0
R		-	-	-	-	-	<code>iics1_we</code>	<code>iics0_we</code>	<code>iic_sel</code>
W		-	-	-	-	-	<code>iics1_we</code>	<code>iics0_we</code>	<code>iic_sel</code>
Reset:		-	-	-	-	-	0	0	0

`iics1_we`:

Set this bit to allow the chip to wake up by IIC1 IIC Slave from stop when SCL/SDA lines go low.

1 = Allow the chip to wake up by IIC1 IIC Slave from stop

0 = Disallow the chip to wake up by IIC1 IIC Slave from stop

`iics0_we`:

Set this bit to allow the chip to wake up by IIC0 IIC Slave from stop when SCL/SDA lines go low.

1 = Allow the chip to wake up by IIC0 IIC Slave from stop

0 = Disallow the chip to wake up by IIC0 IIC Slave from stop

`iic_sel`:

Used to select IIC0 or IIC1 SFR register set for accessing

1 = Select IIC1 SFR register set.

0 = Select IIC0 SFR register set.

12.3 IIC0/IIC1 SFR Register Set Description

12.3.1 IIC_M Control register (iicm_ctl)

Table 12-2 iicm_ctl register

		\$B7							
bit		7	6	5	4	3	2	1	0
R									
W		iic_en	ps	clk_rate[1:0]		cmd[1:0]		cm_start	ie0
Reset:		0	0	0	1	0	0	0	0

iic_en:

Set this bit to enable IIC Master. Clear this bit to disable IIC Master. If IIC Master is disabled, SCL and SDA are not driven

1 = Enable IIC Master.

0 = Disable IIC Master. SCL and SDA are not driven.

ps:

This bit defines which Port 3 pair is used for SCL/SDA.

1 = SCL/SDA use alternative port pins.

0 = SCL/SDA use primary port pins.

clk_rate[1:0]:

These 2 bits specify the IIC clock rate.

00 = IIC clock rate is 1/128 of crystal clock rate

01 = IIC clock rate is 1/256 of crystal clock rate

10 = IIC clock rate is 1/512 of crystal clock rate

11 = IIC clock rate is 1/1024 of crystal clock rate

cmd[1:0]:

These 2 bits specify the type of command for IIC Master to execute. An IIC transaction is done by issuing command "00" first and followed by a number of command "01/10" and then followed by command "11".

00 = Send START condition followed by the Address Word specified in IIC_M ID (iicm_id) register.

01 = Send or receive one byte data depending on the RW bit specified in bit 0 of IIC_M ID register. In receiving mode, ACK bit will be sent normally (drive low). In transmitting mode, ACK bit will be received and indicated in status[1:0].

10 = Send or receive last byte data. This command is the same as command "01" except that ACK bit will not be sent (no drive) in receiving mode.

11 = Send STOP condition

cm_start:

Set this bit to trigger IIC Master to execute the command as specified in cmd[1:0]. When the command is accepted by IIC Master, this bit will be cleared automatically. A new command can be issued then. After the execution of a command is done, the interrupt flag if0 is set and the result is reported in status[1:0].

ie0:

Set this bit to allow interrupt to occur when if0 bit is set.

1 = Enable if0 interrupt.

0 = Disable if0 interrupt.

12.3.2 IIC_M Status register (iicm_sta)

Table 12-3 iicm_sta register

		SBC							
bit		7	6	5	4	3	2	1	0
R		scl	sda	-	-	-	status[1:0]		if0
W		-	-	-	-	-	-		
Reset:		-	-	-	-	-	0	0	0

scl:

This bit reflects the line state of SCL pin. It is read only.

1 = SCL is currently high.

0 = SCL is currently low.

sda:

This bit reflects the line state of SDA pin. It is read only.

1 = SDA is currently high.

0 = SDA is currently low.

status[1:0]:

These 2 bits report the result after IIC Master completed execution of a command. They are read only.

00 = Normal. Command is done successfully.

01 = No ACK. Command is done, but no ACK is received in transmitting mode.

10 = Arbitration Loss. Command is not done successfully.

11 = Not used.

if0:

Interrupt Flag. This bit is set when IIC Master completed execution of a command. If ie0 is set, interrupt will occur. It is required for software to clear this bit after the service is completed. This bit is cleared by writing a "1" to the bit location.

12.3.3 IIC_M ID register (iicm_id)

Table 12-4 iicm_id register

		\$BD							
bit		7	6	5	4	3	2	1	0
R		iicm_id[7:0]							
W		iicm_id[7:0]							
Reset:		0	0	0	0	0	0	0	0

iicm_id[7:0]:

This register specifies the 8-bit Address Word which is sent following a START condition to start an IIC transaction. Bit 7~1 specifies the IIC ID and bit 0 is a RW bit which specifies IIC Read or IIC Write. If bit 0 is "0", IIC Master will operate in transmitting mode. If bit 0 is "1", IIC Master will operate in receiving mode.

12.3.4 IIC_M TX Data register (iicm_td)

Table 12-5 iicm_td register

		\$BE							
bit		7	6	5	4	3	2	1	0
R		iicm_td[7:0]							
W		iicm_td[7:0]							
Reset:		0	0	0	0	0	0	0	0

iicm_td[7:0]:

This register is the Transmit Data register. The data byte to be transmitted should be written into this register before a "01" or "10" command is issued in transmitting mode.

12.3.5 IIC_M RX Data register (iicm_rd)

Table 12-6 iicm_rd register

		\$BF							
bit		7	6	5	4	3	2	1	0
R		iicm_rd[7:0]							
W		-							
Reset:		-	-	-	-	-	-	-	-

iicm_rd[7:0]:

This register is the Receive Data register which is read only. After a "01" or "10" command is executed in receiving mode, IIC Master will put the data byte received in this register.

12.3.6 IIC_S Control register (iics_ctl)

Table 12-7 iics_ctl register

		\$B1							
bit		7	6	5	4	3	2	1	0
R		iic_en	ps	ack_en	ie4	ie3	ie2	ie1	ie0
W									
Reset:		0	0	1	0	0	0	0	0

iic_en:

Set this bit to enable IIC Slave. Clear this bit to disable IIC Slave. If IIC Slave is disabled, SCL and SDA are not driven

- 1 = Enable IIC Slave.
- 0 = Disable IIC Slave. SCL and SDA are not driven.

ps:

This bit defines which Port 3 pair is used for SCL/SDA.

- 1 = SCL/SDA use alternative port pins.
- 0 = SCL/SDA use primary port pins.

ack_en:

Set this bit to allow IIC Slave to ACK to the master device at data end in receiving mode. Clear this bit to makes IIC Slave not to ACK to the master device at data end in receiving mode.

- 1 = Make IIC Slave to ACK in receiving mode.
- 0 = Make IIC Slave not to ACK in receiving mode.

ie4:

Set this bit to allow interrupt to occur when if4 bit is set.

- 1 = Enable if4 interrupt.
- 0 = Disable if4 interrupt.

ie3:

Set this bit to allow interrupt to occur when if3 bit is set.

- 1 = Enable if3 interrupt.
- 0 = Disable if3 interrupt.

ie2:

Set this bit to allow interrupt to occur when if2 bit is set.

- 1 = Enable if2 interrupt.
- 0 = Disable if2 interrupt.

ie1:

Set this bit to allow interrupt to occur when if1 bit is set.

- 1 = Enable if1 interrupt.
- 0 = Disable if1 interrupt.

ie0:

Set this bit to allow interrupt to occur when if0 bit is set.

- 1 = Enable if0 interrupt.
- 0 = Disable if0 interrupt.

12.3.7 IIC_S Status register (iics_sta)

Table 12-8 iics_sta register

		SB2							
bit		7	6	5	4	3	2	1	0
R		scl	sda	rw	if4	if3	if2	if1	if0
W		-	-	-					
Reset:		-	-	-	0	0	0	0	1

scl:

This bit reflects the line state of SCL pin. It is read only.

- 1 = SCL is currently high.
- 0 = SCL is currently low.

sda:

This bit reflects the line state of SDA pin. It is read only.

- 1 = SDA is currently high.
- 0 = SDA is currently low.

rw:

This bit is read only. Whenever if3 is set (IIC Address Word with matched ID is received), the R/W bit of the IIC Address Word is retrieved and put in this bit.

if4:

Interrupt Flag 4. This bit is set when IIC Slave detected a Time Out condition (SCL is driven low by the module for more than 25 ms). The module will release SCL and SDA right away when a Time Out condition is detected. If ie4 is set, interrupt will occur. It is required for software to clear this bit after the service is completed. This bit is cleared by writing a "1" to the bit location.

if3:

Interrupt Flag 3. This bit is set when IIC Slave detected a START condition, received an IIC Address Word with matched ID and is starting to transmit/receive data to/from a master device. If ie3 is set, interrupt will occur. When this bit is set, the received IIC Address Word is put in RX Data register (iics_rd). It is a general practice for the software to read the RX Data register (iics_rd) first and then clear the flag bit by writing a "1" to the bit location. If the software does not clear this flag bit in time before a following data byte is received, IIC Slave will not override iics_rd. Instead, it will hold SCL low to stretch IIC clock until this flag bit is cleared.

if2:

Interrupt Flag 2. This bit is set when IIC Slave completed data transfer. It is set by either detecting a STOP condition during/after data transfer, or not being ACKed in transmitting data. If ie2 is set, interrupt will occur. It is required for software to clear this bit after the service is completed. This bit is cleared by writing a "1" to the bit location.

if1:

Interrupt Flag 1. This bit is set when IIC Slave completed receiving a data byte from a master device and put the data in RX Data register (iics_rd). If ie1 is set, interrupt will occur. When this flag bit is set, it is a general practice for the software to read the RX Data register (iics_rd) first and then clear the flag bit by writing a "1" to the bit location. If the software does not clear this flag bit in time before the next data byte is received, IIC Slave will not override iics_rd. Instead, it will hold SCL low to stretch IIC clock until this flag bit is cleared.

if0:

Interrupt Flag 0. This bit is set when IIC Slave loaded a data byte from the TX Data register (iics_td) to the transmit buffer. The data in the transmit buffer will then subsequently be transmitted to the master device. If ie0 is set, interrupt will occur. It is a general practice to disable this interrupt initially until the first data byte is written to the TX Data register (iics_td). When this flag bit is set, it is a general practice for the software to put new data to the TX Data register (iics_td) first and then clear the flag bit by writing a "1" to the bit location. If the software does not clear this flag bit in time before the next data byte is requested, IIC Slave will hold SCL low to stretch IIC clock until this flag bit is cleared.

12.3.8 IIC_S ID register (iics_id)

Table 12-9 iics_id register

		§B3								
bit		7	6	5	4	3	2	1	0	
R		iics_id[7:1]							-	
W										
Reset:		0	0	0	0	0	0	0	-	

iics_id[7:1]:

This register should be programmed with a 7-bit IIC ID which is used to match with the IIC Address Word which follows a START condition. An IIC_S ID Mask register (iics_idm) is provided to mask out any combination of bits which are not cared during ID matching. If ID matching is successful, IIC Slave will proceed subsequent data transfer and generates flag bits accordingly. Otherwise, it will wait for a next START condition.

12.3.8.1 IIC_S TX Data register (iics_td)

Table 12-10 iics_td register

		§B4							
bit		7	6	5	4	3	2	1	0
R									
W		iics_td[7:0]							
Reset:		0	0	0	0	0	0	0	0

iics_td[7:0]:

This register is the Transmit Data register. When IIC Slave is requesting a data byte for transmission, it will first wait for if0 to be cleared by stretching IIC clock and then take the data from this register and put it in the transmit buffer for transmission. Once the data in this register is consumed, if0 is set.

12.3.9 IIC_S RX Data register (iics_rd)

Table 12-11 iics_rd register

§B5								
bit	7	6	5	4	3	2	1	0
R	iics_rd[7:0]							
W								
Reset:	-	-	-	-	-	-	-	-

iics_rd[7:0]:

This register is the Receive Data register which is read only. When IIC Slave has received a data byte in its receive buffer, it will first wait for if1 to be cleared by stretching IIC clock and then put the data received to this register. Once this register is loaded, if0 is set.

12.3.10 IIC_S ID Mask register (iics_idm)

Table 12-12 iics_idm register

§B6								
bit	7	6	5	4	3	2	1	0
R	iics_idm[7:1]							
W								-
Reset:	1	1	1	1	1	1	1	-

iics_idm[7:1]:

This register provides an ID mask where if the bit is "0", the corresponding bit in IIC_S ID register (iics_id) is not cared in IIC ID matching.

12.4 Other Related SFR Register Description

12.4.1 Interrupt Enable register 0 (ien0)

Table 12-13 ien0 register

§A8								
bit	7	6	5	4	3	2	1	0
R	eal	wdt	ex7	es0	et1	ex1	et0	ex0
W								
Reset:	0	0	0	0	0	0	0	0

eal:

If this bit is cleared, all the interrupts will be disabled.

- wdt:
Not used for IIC.
- ex7:
Not used for IIC.
- es0:
Not used for IIC.
- et1:
Not used for IIC.
- ex1:
Not used for IIC.
- et0:
Not used for IIC.
- ex0:
Not used for IIC.

12.4.2 Interrupt Enable register 1 (ien1)

Table 12-14 ien1 register

		\$B8							
		7	6	5	4	3	2	1	0
R	W	ex8	swdt	ex6	ex5	ex4	ex3	ex2	eadc
Reset:		0	0	0	0	0	0	0	0

- ex8:
Not used for IIC.
- swdt:
Not used for IIC.
- ex6:
Not used for IIC.
- ex5:
Not used for IIC.
- ex4:
Not used for IIC.

User Guide —IIC V0.2

ex3:

If this bit is cleared, all the IIC1 Interrupts will be disabled.

ex2:

If this bit is cleared, all the IIC0 Interrupts will be disabled.

eadc:

Not used for IIC.

Section 13 USB (Universal Serial Bus)

13.1 General

The chip provides a USB (Universal Serial Bus) module for interface with host. The module is USB 1.1 full-speed compliant. It supports 3 endpoints with 8 bytes packet buffer for each end point. The module support USB suspend and resume control. When it is put in suspend mode, a resume will wake up CPU from stop mode. The feature summary for this module is listed as follows:

- USB 1.1 full-speed compliant
- Supports endpoint 0 with 8 bytes transmit buffer and 8 bytes receive buffer respectively
- Supports endpoint 1 with 8 bytes transmit buffer
- Supports endpoint 2 with 8 bytes transmit buffer and 8 bytes receive buffer respectively
- Performs SYNC pattern detection, NRZI encoding/decoding, packet decoding/generation, CRC decoding/generation/checking, bit stuffing and transaction handling
- Supports USB RESET, EOP, IDLE detection
- Supports suspend/resume control with remote wake up capability
- Transaction based interrupt driven
- Handshake generation for STALL, NAK and ACK

13.2 SFR Register Description

13.2.1 USB Control register 0 (usb_ctl0)

Table 13-1 usb_ctl0 register

		\$E4							
bit		7	6	5	4	3	2	1	0
R									
W		usben	ep2_en	ep1_en	pull_en	fresume	fusbo	fdp	fdm
Reset:		0	0	0	0	0	0	0	0

usben:

Set this bit to enable USB operation.

1 = USB operation is enabled.

0 = USB operation is disabled in total. D+ and D- pins are not driven by USB logic.

ep2_en:

Set this bit to enable USB endpoint 2.

1 = Enable USB endpoint 2. Allows USB to respond to IN or OUT transactions addressed to endpoint 2.

0 = Disable USB endpoint 2.

ep1_en:

Set this bit to enable USB endpoint 1.

- 1 = Enable USB endpoint 1. Allows USB to respond to IN transaction addressed to endpoint 2.
- 0 = Disable USB endpoint 1.

pull_en:

Set this bit to enable on-chip 1.5K ohm pull-up at D+ pin.

- 1 = Turn on the on-chip 1.5K ohm pull-up at D+ pin if USB is enabled.
- 0 = Turn off the on-chip 1.5K ohm pull-up at D+ pin.

fresume:

Set this bit to force a resume state onto the USB bus lines to initiate a remote wake up. Software should control the timing of the forced resume to be between 10 and 15 ms.

- 1 = Force a resume state onto the USB bus lines.
- 0 = Normal.

fusbo:

Set this bit to force direct outputs at D+ and D- pins doesn't matter if USB is enabled or not. If USB is disabled, D+ and D- pins can be used as general purpose outputs.

- 1 = Force direct outputs to USB bus lines.
- 0 = Normal.

fdp:

Specifies output level at D+ pin when fusbo is set.

- 1 = Output high level at D+ pin when fusbo is set.
- 0 = Output low level at D+ pin when fusbo is set.

fdm:

Specifies output level at D- pin when fusbo is set.

- 1 = Output high level at D- pin when fusbo is set.
- 0 = Output low level at D- pin when fusbo is set.

13.2.2 USB Control register 1 (usb_ctl1)

Table 13-2 usb_ctl1 register

		SE5							
bit		7	6	5	4	3	2	1	0
R		tx0e	rx0e	ostall0	t0seq	t0size[3:0]			
W									
Reset:		0	0	0	0	0	0	0	0

tx0e:

This bit enables a transmit to occur when USB host sends an IN token to endpoint 0. Software should set this bit when data in the transmit buffer is ready to be transmitted. It must be cleared by software when no more data needs to be transmitted. If this bit is clear or txd0f is set, USB will respond with NAK during IN transaction.

1 = Data in endpoint 0 transmit buffer is ready to be sent

0 = Data is not ready. Respond with NAK

rx0e:

This bit enables a receive to occur when USB host sends an OUT token to endpoint 0. Software should set this bit when receive buffer is ready to receive data. It must be cleared by software when receive buffer is not ready to receive data. If this bit is clear or rxd0f is set, USB will respond with NAK during OUT transaction and data will not be received. This bit has no effect in SETUP transaction however. In SETUP transaction, data will always be received and USB will always respond with ACK doesn't matter if rx0e/rxd0f are set or clear.

1 = Endpoint 0 receive buffer is ready to receive data in a OUT transaction

0 = Receive buffer is not ready to receive data in a OUT transaction. Respond with NAK

ostall0:

This bit, if set, causes endpoint 0 to respond a STALL handshake during an OUT transaction. This bit will be cleared by USB hardware automatically when a SETUP token is received.

1 = Send STALL handshake during an OUT transaction addressed to endpoint 0

0 = Normal

t0seq:

This bit determines which type of data packet (DATA0 or DATA1) is to be sent in the next IN transaction addressed to endpoint 0. Toggling of this bit must be done by software.

1 = DATA1

0 = DATA0

t0size[3:0]:

This register specifies the number of data bytes to be transmitted in the next IN transaction addressed to endpoint 0. The value specified should be in the range of 0 to 8.

13.2.3 USB Control register 2 (usb_ctl2)

Table 13-3 usb_ctl2 register

		\$E6							
bit		7	6	5	4	3	2	1	0
R		tx1e	istall0	stall1	t1seq	t1size[3:0]			
W									
Reset:		0	0	0	0	0	0	0	0

tx1e:

This bit enables a transmit to occur when USB host sends an IN token to endpoint 1. This bit is effective only when endpoint 1 is enabled (ep1_en is set). Software should set this bit when data in the transmit buffer is ready to be transmitted. It must be cleared by software when no more data needs to be transmitted. If this bit is clear or txd1f is set, USB will respond with NAK during IN transaction.

1 = Data in endpoint 1 transmit buffer is ready to be sent

0 = Data is not ready. Respond with NAK

istall0:

This bit, if set, causes endpoint 0 to respond a STALL handshake during an IN transaction. This bit will be cleared by USB hardware automatically when a SETUP token is received.

- 1 = Send STALL handshake during an IN transaction addressed to endpoint 0
- 0 = Normal

stall1:

This bit, if set, causes endpoint 1 to respond a STALL handshake during an IN or OUT transaction.

- 1 = Send STALL handshake during an IN or OUT transaction addressed to endpoint 1
- 0 = Normal

t1seq:

This bit determines which type of data packet (DATA0 or DATA1) is to be sent in the next IN transaction addressed to endpoint 1. Toggling of this bit must be done by software.

- 1 = DATA1
- 0 = DATA0

t1size[3:0]:

This register specifies the number of data bytes to be transmitted in the next IN transaction addressed to endpoint 1. The value specified should be in the range of 0 to 8.

13.2.4 USB Control register 3 (usb_ctl3)

Table 13-4 usb_ctl3 register

		\$E7							
bit		7	6	5	4	3	2	1	0
R									
W		tx2e	rx2e	stall2	t2seq	t2size[3:0]			
Reset:		0	0	0	0	0	0	0	0

tx2e:

This bit enables a transmit to occur when USB host sends an IN token to endpoint 2. This bit is effective only when endpoint 2 is enabled (ep2_en is set). Software should set this bit when data in the transmit buffer is ready to be transmitted. It must be cleared by software when no more data needs to be transmitted. If this bit is clear or txd1f is set, USB will respond with NAK during IN transaction.

- 1 = Data in endpoint 2 transmit buffer is ready to be sent
- 0 = Data is not ready. Respond with NAK

rx2e:

This bit enables a receive to occur when USB host sends an OUT token to endpoint 2. This bit is effective only when endpoint 2 is enabled (ep2_en is set). Software should set this bit when receive buffer is ready to receive data. It must be cleared by software when receive buffer is not ready to receive data. If this bit is clear or rxd2f is set, USB will respond with NAK during OUT transaction and data will not be received.

- 1 = Endpoint 2 receive buffer is ready to receive data
- 0 = Receive buffer is not ready. Respond with NAK

stall2:

This bit, if set, causes endpoint 2 to respond a STALL handshake during an IN or OUT transaction.

- 1 = Send STALL handshake during an IN or OUT transaction addressed to endpoint 2
- 0 = Normal

t2seq:

This bit determines which type of data packet (DATA0 or DATA1) is to be sent in the next IN transaction addressed to endpoint 2. Toggling of this bit must be done by software.

- 1 = DATA1
- 0 = DATA0

t2size[3:0]:

This register specifies the number of data bytes to be transmitted in the next IN transaction addressed to endpoint 2. The value specified should be in the range of 0 to 8.

13.2.5 USB Control register 4 (usb_ctl4)

Table 13-5 usb_ctl4 register

		\$E8							
bit		7	6	5	4	3	2	1	0
R									
W		suspnd	urstie	eopie	txd2ie	rxid2ie	txd1ie	txd0ie	rxid0ie
Reset:		0	0	0	0	0	0	0	0

suspnd:

Set this bit to make USB enter suspend mode to save power. This bit is typically set by software if a 3 ms constant IDLE state is detected on the USB bus. The resumf flag must be cleared before setting this bit. After this bit is set, software may enter stop mode if desired. It is required for software to clear this bit after resumf is set (USB bus activity detected).

- 1 = USB in suspend mode
- 0 = Normal

urstie:

Set this bit to enable interrupt to occur if urstf is set (USB RESET detected).

- 1 = Enable interrupt when urstf is set
- 0 = Disable interrupt when urstf is set

eopie:

Set this bit to enable interrupt to occur if eopf is set (EOP detected).

- 1 = Enable interrupt when eopf is set
- 0 = Disable interrupt when eopf is set

txd2ie:

Set this bit to enable interrupt to occur if txd2f is set (endpoint 2 data transmitted).

- 1 = Enable interrupt when txd2f is set
- 0 = Disable interrupt when txd2f is set

rxid2ie:

Set this bit to enable interrupt to occur if rxd2f is set (endpoint 2 data received).

- 1 = Enable interrupt when rxd2f is set
- 0 = Disable interrupt when rxd2f is set

txd1ie:

Set this bit to enable interrupt to occur if txd1f is set (endpoint 1 data transmitted).

- 1 = Enable interrupt when txd1f is set
- 0 = Disable interrupt when txd1f is set

txd0ie:

Set this bit to enable interrupt to occur if txd0f is set (endpoint 0 data transmitted).

- 1 = Enable interrupt when txd0f is set
- 0 = Disable interrupt when txd0f is set

rxid0ie:

Set this bit to enable interrupt to occur if rxd0f is set (endpoint 0 data received).

- 1 = Enable interrupt when rxd0f is set
- 0 = Disable interrupt when rxd0f is set

13.2.6 USB Control register 5 (usb_ctl5)

Table 13-6 usb_ctl5 register

		§E9							
bit		7	6	5	4	3	2	1	0
R		uadd[6:0]							
W		-							
Reset:		-	0	0	0	0	0	0	0

uadd[6:0]:

This register specifies the USB address of the device.

13.2.7 USB Status register 0 (usb_sta0)

Table 13-7 usb_sta0 register

		§EA							
bit		7	6	5	4	3	2	1	0
R		resumf	urstf	eopf	txd2f	rxid2f	txd1f	txd0f	rxid0f
W									
Reset:		0	0	0	0	0	0	0	0

resumf:

Resume interrupt Flag. This bit is set when USB bus activity is detected while USB is in suspend mode (suspsnd bit is set). When this bit is set, interrupt will occur. If the chip is in stop mode, it will wake up CPU first before generating interrupt. It is required for software to clear this bit after the service is completed. This bit is cleared by writing a "1" to the bit location.

urstf:

USB RESET interrupt Flag. This bit is set when a valid reset signal state is detected on the D+ and D- lines. If `urstie` is set, interrupt will occur. It is required for software to clear this bit after the service is completed. This bit is cleared by writing a "1" to the bit location.

`eopf`:

EOP interrupt Flag. This bit is set when a valid EOP (end-of-packet) signal state is detected on the D+ and D- lines. If `eopie` is set, interrupt will occur. It is required for software to clear this bit after the service is completed. This bit is cleared by writing a "1" to the bit location.

`txd2f`:

Endpoint 2 transmit data interrupt Flag. This bit is set after the data stored in endpoint 2 transmit buffer has been sent and an ACK handshake from the host is received. If `txd2ie` is set, interrupt will occur. It is required for software to clear this bit after the service is completed. This bit is cleared by writing a "1" to the bit location. If next data is not ready before `txd2f` is cleared, `tx2e` bit must be cleared prior to `txd2f` is cleared. If `txd2f` is not cleared or `tx2e` is cleared before next IN transaction starts, USB will respond with NAK to host.

`rx2f`:

Endpoint 2 receive data interrupt Flag. This bit is set after USB has received a data packet in endpoint 2 receive buffer and responded with an ACK handshake to host. If `rx2ie` is set, interrupt will occur. It is required for software to clear this bit after the service is completed. This bit is cleared by writing a "1" to the bit location. If the receive buffer is not ready for next receive before `rx2f` is cleared, `rx2e` bit must be cleared prior to `rx2f` is cleared. If `rx2f` is not cleared or `rx2e` is cleared before next OUT transaction starts, USB will respond with NAK to host.

`txd1f`:

Endpoint 1 transmit data interrupt Flag. This bit is set after the data stored in endpoint 1 transmit buffer has been sent and an ACK handshake from the host is received. If `txd1ie` is set, interrupt will occur. It is required for software to clear this bit after the service is completed. This bit is cleared by writing a "1" to the bit location. If next data is not ready before `txd1f` is cleared, `tx1e` bit must be cleared prior to `txd1f` is cleared. If `txd1f` is not cleared or `tx1e` is cleared before next IN transaction starts, USB will respond with NAK to host.

`rx0f`:

Endpoint 0 receive data interrupt Flag. This bit is set after USB has received a data packet in endpoint 0 receive buffer and responded with an ACK handshake to host. A setup bit in `usb_sta1` register indicates whether the data packet is received during a SETUP transaction or not. If `rx0ie` is set, interrupt will occur. It is required for software to clear this bit after the service is completed. This bit is cleared by writing a "1" to the bit location. If the receive buffer is not ready for next receive before `rx0f` is cleared, `rx0e` bit must be cleared prior to `rx0f` is cleared. If `rx0f` is not cleared or `rx0e` is cleared before next OUT transaction starts, USB will respond with NAK to host. Note that in a SETUP transaction, `rx0f` and `rx0e` bits can not inhibit data receiving and USB will always respond with ACK.

`txd0f`:

Endpoint 0 transmit data interrupt Flag. This bit is set after the data stored in endpoint 0 transmit buffer has been sent and an ACK handshake from the host is received. If txd0ie is set, interrupt will occur. It is required for software to clear this bit after the service is completed. This bit is cleared by writing a "1" to the bit location. If next data is not ready before txd0f is cleared, tx0e bit must be cleared prior to txd0f is cleared. If txd1f is not cleared or tx1e is cleared before next IN transaction starts, USB will respond with NAK to host.

13.2.8 USB Status register 1 (usb_sta1)

Table 13-8 usb_sta1 register

		SEB							
bit		7	6	5	4	3	2	1	0
R		setup	tx1st	idle	r0seq	r0size[3:0]			
W		-	-	-	-	-			
Reset:		0	0	0	0	0	0	0	0

setup:

This read-only bit indicates that the data received by endpoint 0 comes from SETUP transaction. This bit is updated when rxd0f is set.

- 1 = Endpoint 0 data comes from SETUP transaction
- 0 = Endpoint 0 data comes from OUT transaction

tx1st:

This read-only bit indicates whether or not txd0f is already set when rxd0f is set. This is useful for software to know which interrupt flag is set first in case both txd0f and rxd0f are found set by software during servicing interrupts. This bit is updated when rsd0f is set.

- 1 = txd0f is set prior to rxd0f
- 0 = txd0f is not set prior to rxd0f

idle:

This read-only bit indicates whether or not the USB bus is in idle state.

- 1 = USB bus is in idle state
- 0 = USB bus is not in idle state

r0seq:

This read-only bit indicates the type of data packet (DATA0 or DATA1) last received for endpoint 0.

- 1 = DATA1
- 0 = DATA0

r0size[3:0]:

This read-only register indicates the number of data bytes received in the last OUT or SETUP transaction addressed to endpoint 0. The value will be in the range of 0 to 8.

13.2.9 USB Status register 2 (usb_sta2)

Table 13-9 usb_sta2 register

		\$EC							
bit		7	6	5	4	3	2	1	0
R		txstl0	txack0	txnak0	r2seq	r2size[3:0]			
W		-	-	-	-	-			
Reset:		0	0	0	0	0	0	0	0

txstl0:

This read-only bit indicates that a STALL was responded to host in the last transaction addressed to endpoint 0.

- 1 = Last handshake transmitted for endpoint 0 was a STALL
- 0 = Last handshake transmitted for endpoint 0 was not a STALL

txack0:

This read-only bit indicates that an ACK was responded to host in the last transaction addressed to endpoint 0.

- 1 = Last handshake transmitted for endpoint 0 was an ACK
- 0 = Last handshake transmitted for endpoint 0 was not an ACK

txnak0:

This read-only bit indicates that a NAK was responded to host in the last transaction addressed to endpoint 0.

- 1 = Last handshake transmitted for endpoint 0 was a NAK
- 0 = Last handshake transmitted for endpoint 0 was not a NAK

r2seq:

This read-only bit indicates the type of data packet (DATA0 or DATA1) last received for endpoint 2.

- 1 = DATA1
- 0 = DATA0

r2size[3:0]:

This read-only register indicates the number of data bytes received during the last OUT transaction for endpoint 2. The value will be in the range of 0 to 8.

13.2.10 USB Buffer Pointer register (usb_epp)

Table 13-10 usb_epp register

		\$F7							
bit		7	6	5	4	3	2	1	0
R		-	-	-	-	-	epp[2:0]		
W		-	-	-	-	-	-		
Reset:		-	-	-	-	-	0	1	1

epp[2:0]:

This register is used as the data byte pointer for the transmit/receive buffer for all the endpoints. This pointer will be auto incremented each time a byte is written/read to/from the transmit/receive buffer.

13.2.11 USB Endpoint 0 Buffer register (usb_ep0)

Table 13-11 usb_ep0 register

		\$ED							
bit		7	6	5	4	3	2	1	0
R		ep0[7:0]							
W									
Reset:		-	-	-	-	-	-	-	-

ep0[7:0]:

Endpoint 0 transmit/receive buffer register. Write to this register actually write a data to the byte location pointed to by epp[2:0] in endpoint 0 transmit buffer. Read from this register actually read a data from the byte location pointed to by epp[2:0] in endpoint 0 receive buffer. Every time when this register is written or read, epp[2:0] will be auto incremented.

13.2.12 USB Endpoint 1 Buffer register (usb_ep1)

Table 13-12 usb_ep1 register

		\$EE							
bit		7	6	5	4	3	2	1	0
R		ep1[7:0]							
W									
Reset:		-	-	-	-	-	-	-	-

ep1[7:0]:

Endpoint 1 transmit buffer register. Write to this register actually write a data to the byte location pointed to by epp[2:0] in endpoint 1 transmit buffer. Read from this register actually read a data from the byte location pointed to by epp[2:0] in endpoint 1 transmit buffer. Every time when this register is written or read, epp[2:0] will be auto incremented.

13.2.13 USB Endpoint 2 Buffer register (usb_ep2)

Table 13-13 usb_ep2 register

		\$EF							
bit		7	6	5	4	3	2	1	0
R		ep2[7:0]							
W									
Reset:		-	-	-	-	-	-	-	-

ep2[7:0]:

Endpoint 2 transmit/receive buffer register. Write to this register actually write a data to the byte location pointed to by epp[2:0] in endpoint 2 transmit buffer. Read from this register actually read a data from the byte location pointed to by epp[2:0] in endpoint 2 receive buffer. Every time when this register is written or read, epp[2:0] will be auto incremented.

13.3 Other Related SFR Register Description

13.3.1 Interrupt Enable register 0 (ien0)

Table 13-14 ien0 register

		\$A8							
bit		7	6	5	4	3	2	1	0
R									
W		eal	wdt	ex7	es0	et1	ex1	et0	ex0
Reset:		0	0	0	0	0	0	0	0

eal:

If this bit is cleared, all the interrupts will be disabled.

wdt:

Not used for USB.

ex7:

Not used for USB.

es0:

Not used for USB.

et1:

Not used for USB.

ex1:

Not used for USB.

et0:

Not used for USB.

ex0:

Not used for USB.

13.3.2 Interrupt Enable register 1 (ien1)

Table 13-15 ien1 register

		\$B8							
bit		7	6	5	4	3	2	1	0
R									
W		ex8	swdt	ex6	ex5	ex4	ex3	ex2	eadc
Reset:		0	0	0	0	0	0	0	0

User Guide —USB V0.2

ex8:

Not used for USB.

swdt:

Not used for USB.

ex6:

Not used for USB.

ex5:

If this bit is cleared, all the USB Interrupts will be disabled.

ex4:

Not used for USB.

ex3:

Not used for USB.

ex2:

Not used for USB.

eadc:

Not used for USB.

Section 14 SPI

14.1 General

The chip provides an 3-wire SPI (Serial Peripheral Interface) port for communicating with various peripheral devices (EEPROMs, DACs, ADCs and etc.). Using the SPI, 8-bit serial data is transmitted and received simultaneously over two data pins in Full Duplex mode and one data pin in Half duplex mode. An internal programmable Baud Rate Generator and clock polarity and phase controls allow communication with various SPI peripherals up to 24 M bits/sec with specific clocking requirements. SPI cycle completion can be determined by status polling or interrupts. The SPI port pins can be used as general purpose output pins when SPI port is not enabled. The SPI port provided is a master only device. It does not support multiple-master SPI configurations.

An SPI cycle is invoked by writing an 8-bit data to the SPI Data Register. After that, the SPI will generate 16 clock edges (rising or falling) on the SPI_CLK line. The SPI_CLK polarity (idle state when SPI is not active) is programmable. 8 bits data are transmitted from the transmit data buffer to SPI_DO line at every 2 clock edges (rising or falling) starting from (or prior to) 1st clock edge. Simultaneously, 8 bits data are received from SPI_DI (or SPI_DO in Half Duplex mode) line at every 2 clock edges (rising or falling) starting from 1st (or 2nd) clock edge. The received data is put in the receive data buffer which can be read from the SPI Data Register. On completion of SPI cycle, SPI_CLK line return to its idle state until next write to SPI Data Register.

14.2 SPI Pins Description

3 pins are used for SPI port. They are described as follows:

1. SPI_CLK - SPI clock output
2. SPI_DO - SPI serial data output in Full Duplex mode or
SPI serial data input/output in Half Duplex mode
3. SPI_DI - SPI serial data input in Half Duplex mode
Not used in Half Duplex mode

If SPI is not enabled, all the 3 pins can be used as general purpose input/output pins. If SPI is enabled and is working in Half Duplex mode, SPI_DI can be used general purpose input/output pin.

14.3 SPI Timing Diagram

Figure 14-1 SPI Transmission Timing (tclkph, rclkph = 0)

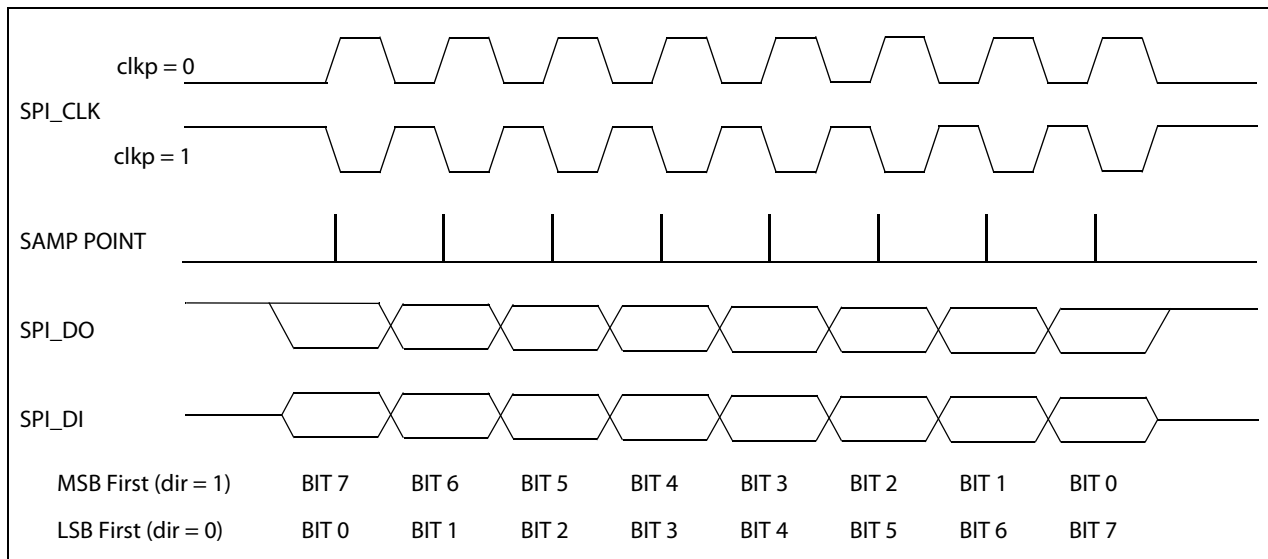
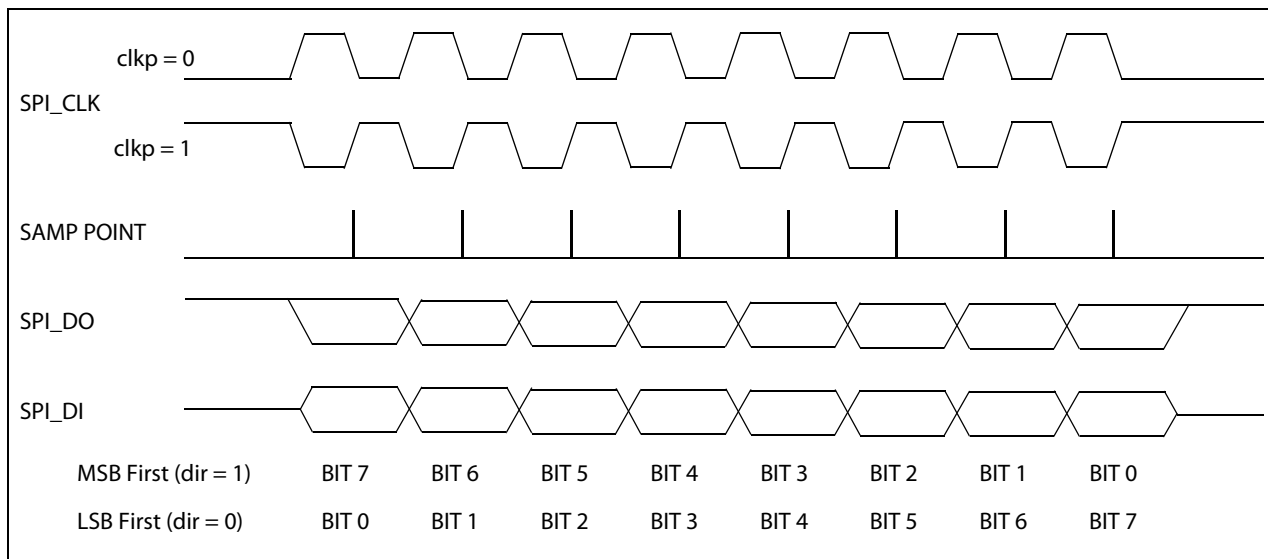


Figure 14-2 SPI Transmission Timing (tclkph, rclkph = 1)



14.4 SFR Register Description

There are 4 SFR registers associated with the SPI port. They are SPI Control Register 1, SPI Control Register 2, SPI Baud Rate Register and SPI Data Register.

14.4.1 SPI Control register 1 (spi_ctl1)

Table 14-1 spi_ctl1 register

		\$C0							
bit		7	6	5	4	3	2	1	0
R									
W		spi_en	spi_on	mode	tx	dir	tclkph	rclkph	ie
Reset:		0	0	0	0	0	0	0	0

spi_en:

Set this bit to enable SPI port. If SPI is not enabled, the 3 associated pins can be used as general purpose input/output pins.

- 1 = SPI enabled
- 0 = SPI disabled

spi_on:

Clear this bit will make SPI enter standby mode. In standby mode, SPI clock source is disabled to save power.

- 1 = Normal
- 0 = SPI is in standby mode

mode:

This bit specifies whether SPI is working in Full Duplex mode or Half Duplex mode. If Half Duplex mode, only SPI_DO is used as data pin which can be configured as input or output depending upon tx bit. SPI_DI is not used by SPI and can be used as general purpose input/output pin.

- 1 = Half Duplex mode
- 0 = Full Duplex mode

tx:

This bit controls the data pin direction when SPI is working in Half Duplex mode.

- 1 = Transmit mode, SPI_DO is the data output
- 0 = Receive mode, SPI_DO is the data input

dir:

This bit controls SPI data transmission direction.

- 1 = MSB is transmitted and received first
- 0 = LSB is transmitted and received first

tclkph:

This bit selects the clock phase for SPI data transmission.

- 1 = 1st data bit is transmitted at 1st clock edge (rising or falling). Slave device should clock in the 1st bit data at 2nd clock edge (rising or falling)
- 0 = 1st data bit is transmitted prior to 1st clock edge (rising or falling). Slave device should clock in the 1st bit data at 1st clock edge (rising or falling)

rclkph:

This bit selects the clock phase for SPI data receiving.

- 1 = 1st data bit is sampled at 2nd clock edge (rising or falling). Slave device should clock out the 1st bit data at 1st clock edge (rising or falling)
- 0 = 1st data bit is sampled at 1st clock edge (rising or falling). Slave device should send out 1st bit data prior to 1st clock edge (rising or falling)

ie:

This bit enables an interrupt to occur when if bit (SPI cycle completion interrupt flag) is set.

- 1 = Enable SPI interrupt
- 0 = Disable SPI interrupt

14.4.2 SPI Control register 2 (spi_ctl2)

Table 14-2 spi_ctl2 register

SC1								
bit	7	6	5	4	3	2	1	0
R							rdy	
W	di_iop	do_iop	clk_iop	di_o	do_o	clk_o	-	if
Reset:	1	1	1	0	0	0	0	0

di_iop:

Specifies pin property of SPI_DI pin when SPI is not enabled or when SPI is enabled and working in Half Duplex mode.

- 1 = Tri-state
- 0 = Output

do_iop:

Specifies pin property of SPI_DO pin when SPI is not enabled.

- 1 = Tri-state
- 0 = Output

clk_iop:

Specifies pin property of SPI_CLK pin when SPI is not enabled.

- 1 = Tri-state
- 0 = Output

di_o:

Output data of SPI_DI pin when SPI is not enabled or when SPI is enabled and working in Half Duplex mode. A write to this bit will output the data to the pin if it is configured as output.

do_o:

Output data of SPI_DO pin when SPI is not enabled. A write to this bit will output the data to the pin if it is configured as output.

clk_o:

Output data of SPI_CLK pin when SPI is not enabled. A write to this bit will output the data to the pin if it is configured as output.

rdy:

This is a read only bit to indicate whether SPI is ready for transmission or not.

1 = SPI is ready

0 = SPI is in the process of data transmission

if:

SPI cycle completion interrupt Flag. This bit is set when an SPI transmission cycle is completed and the received data (doesn't matter valid or not) is put in the receive buffer. If it is set, interrupt will occur. It is required for software to clear this bit after the service is completed. This bit is cleared by writing a "1" to the bit location.

14.4.3 SPI Baud Rate register (spi_br)

Table 14-3 spi_br register

		§C2							
bit		7	6	5	4	3	2	1	0
R									
W		clkp	-	-	psc[1:0]		div[2:0]		
Reset:		0	-	-	0	0	0	0	0

clkp:

Specifies the SPI clock polarity.

1 = SPI_CLK is normally high and the 1st clock edge of an SPI cycle is a falling edge

0 = SPI_CLK is normally low and the 1st clock edge of an SPI cycle is a rising edge

psc[1:0]:

These 2 bits specify the pre-scaling factor of the SPI clock source.

00 = SPI clock source is 1/6 of crystal clock rate (4 Mhz)

01 = SPI clock source is 1/3 of crystal clock rate (8 Mhz)

10 = SPI clock source is 1/2 of crystal clock rate (12 Mhz)

11 = SPI clock source is 1/1 of crystal clock rate (24 Mhz)

div[2:0]:

These 3 bits specify the dividing ratio of the SPI clock from SPI clock source.

000 = SPI clock is 1/1 of SPI clock source

001 = SPI clock is 1/2 of SPI clock source

010 = SPI clock is 1/4 of SPI clock source

011 = SPI clock is 1/8 of SPI clock source

100 = SPI clock is 1/16 of SPI clock source

101 = SPI clock is 1/32 of SPI clock source

110 = SPI clock is 1/64 of SPI clock source

111 = SPI clock is 1/128 of SPI clock source

14.4.4 SPI Data register (spi_d)

Table 14-4 spi_d register

		\$C3							
bit		7	6	5	4	3	2	1	0
R		spi_d[7:0]							
W									
Reset:		-	-	-	-	-	-	-	-

spi_d[7:0]:

SPI transmit/receive data register. Write to this register actually write a data to the SPI transmit data buffer and invoke an SPI transmission cycle. A dummy data should be written to this register to start a receiving cycle in Half Duplex mode. Read from this register actually read a data from the SPI receive data buffer. On completion of an SPI transmission cycle, an 8-bit received data is always put in the SPI receive buffer doesn't matter if the data is valid or not.

14.5 Other Related SFR Register Description

14.5.1 Interrupt Enable register 0 (ien0)

Table 14-5 ien0 register

		\$A8							
bit		7	6	5	4	3	2	1	0
R		eal	wdt	ex7	es0	et1	ex1	et0	ex0
W									
Reset:		0	0	0	0	0	0	0	0

eal:

If this bit is cleared, all the interrupts will be disabled.

wdt:

Not used for SPI.

ex7:

Not used for SPI.

es0:

Not used for SPI.

et1:

Not used for SPI.

ex1:

Not used for SPI.

et0:

Not used for SPI.

ex0:

Not used for SPI.

14.5.2 Interrupt Enable register 1 (ien1)

Table 14-6 ien1 register

		\$B8							
bit		7	6	5	4	3	2	1	0
R		ex8	swdt	ex6	ex5	ex4	ex3	ex2	eadc
W									
Reset:		0	0	0	0	0	0	0	0

ex8:

If this bit is cleared, all the SPI interrupts will be disabled.

swdt:

Not used for SPI.

ex6:

Not used for SPI.

ex5:

Not used for SPI.

ex4:

Not used for SPI.

ex3:

Not used for SPI.

ex2:

Not used for SPI.

eadc:

Not used for SPI.

Section 15 ADC

15.1 General

The chip provides 4 channels of 10-bit ADC (ADC0~ADC3). The ADC is an SAR type which converts an analogue input in 17 ADC clocks. The frequency of ADC clock is programmable from 1 MHz to 125KHz. After a conversion is done, an interrupt can be generated. If an ADC channel is disabled, the associated ADC pin can be used as general purpose I/O. If all the ADC channels are disabled, the whole ADC module is turned off to save power.

15.2 SFR Register Description

15.2.1 ADC Control register 1 (adc_ctl1)

Table 15-1 adc_ctl1 register

		\$8E							
bit		7	6	5	4	3	2	1	0
R		-	-	-	-	ie	-	clk_sel[1:0]	
W									
Reset:		0	0	0	0	0	-	0	0

ie:

Set this bit to enable an interrupt to occur when if bit (ADC conversion complete flag) is set.

1 = Enable ADC interrupt

0 = Disable ADC interrupt

clk_sel[1:0]:

These 2 bits specify the ADC clock rate.

00 = 125 KHz

01 = 250 KHz

10 = 500 KHz

11 = 1 MHz

15.2.2 ADC Control register 2 (adc_ctl2)

Table 15-2 adc_ctl2 register

		\$8F							
bit		7	6	5	4	3	2	1	0
R		reserved	ch_sel[2:0]			start	if	adc_d[1:0]	
W								-	-
Reset:		0	0	0	0	0	0	-	-

reserved:

This bit is reserved for test only. User should not program this bit to 1.

1 = For ADC test

0 = Normal

ch_sel[2:0]:

These 3 bits select the ADC channel for AD conversion. AD conversion is only performed at one channel at a time.

- 000 = ADC0 is selected
- 001 = ADC1 is selected
- 010 = ADC2 is selected
- 011 = ADC3 is selected

start:

Write an 1 to this bit will start an AD conversion cycle. This bit is always read as 0.

- 1 = Start AD conversion cycle
- 0 = No operation

if:

ADC cycle completion interrupt Flag. This bit is set when an AD conversion cycle is completed and the converted data is valid in the ADC data register. If it is set, interrupt will occur. It is required for software to clear this bit after the service is completed. This bit is cleared by writing an "1" to the bit location.

adc_d[1:0]:

These 2 bits are read only. They store the 2 LSB of the converted data.

15.2.3 ADC Enable register (adc_en)

Table 15-3 adc_en register

		\$AB							
bit		7	6	5	4	3	2	1	0
R		reserved	reserved	reserved	reserved	adc3_en	adc2_en	adc1_en	adc0_en
W		reserved	reserved	reserved	reserved	adc3_en	adc2_en	adc1_en	adc0_en
Reset:		0	0	0	0	0	0	0	0

reserved:

Must be programmed 0 in normal operation.

adc3_en:

Set this bit to enable ADC3. If ADC3 is not enabled, ADC3 pin can be used as general purpose input/output pin.

- 1 = ADC3 enabled
- 0 = ADC3 disabled

adc2_en:

Set this bit to enable ADC2. If ADC2 is not enabled, ADC2 pin can be used as general purpose input/output pin.

- 1 = ADC2 enabled

0 = ADC2 disabled

adc1_en:

Set this bit to enable ADC1. If ADC1 is not enabled, ADC1 pin can be used as general purpose input/output pin.

1 = ADC1 enabled
0 = ADC1 disabled

adc0_en:

Set this bit to enable ADC0. If ADC0 is not enabled, ADC0 pin can be used as general purpose input/output pin.

1 = ADC0 enabled
0 = ADC0 disabled

15.2.4 ADC Data register (adc_d)

Table 15-4 adc_d register

		\$97							
bit		7	6	5	4	3	2	1	0
R		adc_d[9:2]							
W		-	-	-	-	-	-	adc_iod[1:0]	
Reset:		1	1	1	1	1	1	1	1

adc_d[9:2]:

These 8 bits are read only. They store the 8 MSB of the converted data.

adc_iod[1:0]:

Write only. Specifies the I/O direction of ADC[1:0] pins when the corresponding ADC channel is not enabled.

1 = Input
0 = Output

15.2.5 ADC I/O register (adc_io)

Table 15-5 adc_io register

		\$91							
bit		7	6	5	4	3	2	1	0
R									
W		-	-	-	-	-	-	adc_iod[1:0]	
Reset:		0	0	0	0	0	0	0	0

adc_io[1:0]:

Specifies the I/O data of ADC[1:0] pins when the corresponding ADC channel is not enabled. A write to this bit will output the data to the pin if it is configured as output. A read from this bit actually read the pin state of the ADC pin doesn't matter if the ADC channel is enabled or not.

15.3 Other Related SFR Register Description

15.3.1 Interrupt Enable register 0 (ien0)

Table 15-6 ien0 register

		\$A8							
bit		7	6	5	4	3	2	1	0
R		eal	wdt	ex7	es0	et1	ex1	et0	ex0
W									
Reset:		0	0	0	0	0	0	0	0

eal:

If this bit is cleared, all the interrupts will be disabled.

wdt:

Not used for ADC.

ex7:

Not used for ADC.

es0:

Not used for ADC.

et1:

Not used for ADC.

ex1:

Not used for ADC.

et0:

Not used for ADC.

ex0:

Not used for ADC.

15.3.2 Interrupt Enable register 1 (ien1)

Table 15-7 ien1 register

		\$B8							
bit		7	6	5	4	3	2	1	0
R		ex8	swdt	ex6	ex5	ex4	ex3	ex2	eadc
W									
Reset:		0	0	0	0	0	0	0	0

ex8:

Not used for ADC.

swdt:

Not used for ADC.

ex6:

Not used for ADC.

ex5:

Not used for ADC.

ex4:

Not used for ADC.

ex3:

Not used for ADC.

ex2:

Not used for ADC.

eadc:

If this bit is cleared, all the ADC interrupts will be disabled.

Section 16 CIR (Consumer Infra-Red Remote Decoder)

16.1 General

The chip provides a Consumer Infra-Red Remote Decoder (CIR) implemented in hardware. The CIR can be programmed to receive either NEC protocol or Philips RC-5(X)/RC-6 protocol. The carrier frequency and the allowed tolerance for decoding are programmable. Once a remote input is received and successfully decoded, an interrupt flag will be set which may cause an interrupt to occur if interrupt is enabled. **The remote input pin is shared with P7[4] pin. If CIR is enabled, P7[4] should be programmed as input pin.** In stop mode, **if CIR is enabled, the remote input will** wake up the chip when an active level is detected at the CIR input. If CIR is not enabled, the CIR pin can be used as general purpose I/O.

16.2 SFR Register Description

16.2.1 CIR Control register 1 (cir_ctl1)

Table 16-1 cir_ctl1 register

		\$A4							
bit		7	6	5	4	3	2	1	0
R									
W		cir_en	mode[1:0]		pol	ie	dlt[2:0]		
Reset:		0	0	0	0	0	1	0	0

cir_en:

Set this bit to enable CIR. If CIR is not enabled, the CIR pin can be used as general purpose input/output pins.

1 = CIR enabled

0 = CIR disabled

mode[1:0]:

These 2 bits specify the CIR protocol.

00 = NEC

01 = invalid

10 = Philips RC-5(X)

11 = Philips RC-6

pol:

This bit specifies the idle level of the CIR input when there is no signal.

1 = High level

0 = Low level

ie:

Set this bit to enable interrupt to occur when if bit (CIR command received flag) is set.

1 = Enable CIR interrupt

0 = Disable CIR interrupt

dlt[2:0]:

These 3 bits specify the allowed tolerance for the decoding logic to decode the CIR input. The bigger the number is, the bigger tolerance is allowed. The typical value is set to 4.

16.2.2 CIR Control register 2 (cir_ctl2)

Table 16-2 cir_ctl2 register

		\$A5							
bit		7	6	5	4	3	2	1	0
R		if		repeat		cry[5:0]			
W		if		-		cry[5:0]			
Reset:		0	-	0	1	1	0	1	0

if:

CIR command received flag. This bit is set when a remote input is received and successfully decoded. When this bit is set, the decoded CIR code is valid in cir_code register. If ie is set, interrupt will occur. It is required for software to clear this bit after the service is completed. This bit is cleared by writing an "1" to the bit location.

repeat:

This is a read only bit which indicates whether the address/command code received is a repeat code (keep holding the key) or not in NEC protocol, or the TR bit in RC-6 protocol.

- 1 = NEC Repeat code received or RC-6 TR bit is 1
- 0 = Not an NEC repeat code or RC-6 TR bit is 0

cry[5:0]:

These 6 bits is used to control the carrier frequency. If the number programmed is n, the carrier frequency is 1000/(n+1) Khz

16.2.3 CIR Control register 3 (cir_ctl3)

Table 16-3 cir_ctl3 register

		\$A6							
bit		7	6	5	4	3	2	1	0
R		mb[2:0]			cp[4:0]				
W		-			cp[4:0]				
Reset:		-	-	-	0	0	0	0	0

mb[2:0]:

These 3 bits are read only which reflect the 3 mb bits received in RC-6 protocol. They are not used in NEC protocol

cp[4:0]:

This 5-bit is a code pointer used to retrieve the CIR code received. A CIR code is 2 bytes long in NEC protocol and can be as long as 18 bytes in RC-6 protocol. When a CIR code is received, it is put in cir_code register which is 19 bytes long. The cir_code register is retrieved byte by byte using cp[4:0] as

the byte pointer. If cp[4:0] is 0, byte-0 (the first byte) is addressed. If cp[4:0] is 18, byte-18 (the last byte) is addressed. Whenever a byte is read from cir_code register, this pointer is incremented by 1 automatically.

16.2.4 CIR Code register (cir_code)

Table 16-4 cir_code register

		\$A7							
bit		7	6	5	4	3	2	1	0
R		cir_code[7:0]							
W		-	-	-	-	-	-	-	-
Reset:		-	-	-	-	-	-	-	-

cir_code[7:0]:

This register is read only. When a CIR input is received and successfully decoded, the decoded CIR code is put in this register. A CIR code is 2 bytes long in NEC or RC-5(X) protocol and can be as long as 18 bytes in RC-6 protocol. This register is 19 bytes long and retrieved byte by byte using cp[4:0] as the byte pointer. Bit[7:3] of Byte-0 always reflects the number of bytes received. In NEC protocol, it is always 2. In RC-6 protocol, this can be variable. Bit[2:0] of Byte-0 always reflects the valid bits in the last byte received. "1" means only bit[7] is valid. "2" means bit[7:6] are valid. "0" means all the 8-bits are valid. In NEC or RC-5(X) protocol, it is always 0. In RC-6 protocol, this can be variable. Byte-1 reflects the 1st byte of the CIR code received. In NEC or RC-5(X) protocol, it is always the Address Code. Byte-2 reflects the 2nd byte of the CIR code received. In NEC or RC-5(X) protocol, it is always the Command Code. Byte-3 reflects the 3rd byte of the CIR code received and etc. Byte-3 ~ Byte-18 are not used in NEC and RC-5(X) protocol.

16.3 Other Related SFR Register Description

16.3.1 Interrupt Enable register 0 (ien0)

Table 16-5 ien0 register

		\$A8							
bit		7	6	5	4	3	2	1	0
R		eal	wdt	ex7	es0	et1	ex1	et0	ex0
W									
Reset:		0	0	0	0	0	0	0	0

eal:

If this bit is cleared, all the interrupts will be disabled.

wdt:

Not used for CIR.

ex7:

Not used for CIR.

es0:
Not used for CIR.

et1:
Not used for CIR.

ex1:
Not used for CIR.

et0:
Not used for CIR.

ex0:
Not used for CIR.

16.3.2 Interrupt Enable register 1 (ien1)

Table 16-6 ien1 register

		\$B8							
bit		7	6	5	4	3	2	1	0
R		ex8	swdt	ex6	ex5	ex4	ex3	ex2	eadc
W									
Reset:		0	0	0	0	0	0	0	0

ex8:
Not used for CIR.

swdt:
Not used for CIR.

ex6:
If this bit is cleared, the CIR interrupt will be disabled.

ex5:
Not used for CIR.

ex4:
Not used for CIR.

ex3:
Not used for CIR.

ex2:
Not used for CIR.

eadc:

Section 17 I/O Port 0

17.1 General

The 8-bit I/O Port 0 serves as a general purpose I/O port with programmable open-drain capability.

17.2 SFR Register Description

17.2.1 Port 0 register (p0)

Table 17-1 p0 register

		\$80							
		7	6	5	4	3	2	1	0
R		p0[7:0]							
W		p0[7:0]							
Reset:		0	0	0	0	0	0	0	0

p0[7:0]:

Read value from this register reflects the pin state of Port 0. Write value to this register specifies the output level of each bit in Port 0.

17.2.2 Port 0 Direction register (p0d)

Table 17-2 p0d register

		\$FC							
		7	6	5	4	3	2	1	0
R		p0d[7:0]							
W		p0d[7:0]							
Reset:		1	1	1	1	1	1	1	1

p0d[7:0]:

Specifies the I/O direction of Port 0. A "1" means the corresponding I/O bit is input. A "0" means the corresponding I/O bit is output.

17.2.3 Port 0 Open Drain Control register (p0od)

Table 17-3 p0od register

		\$C8							
		7	6	5	4	3	2	1	0
R		p0od[7:0]							
W		p0od[7:0]							
Reset:		0	0	0	0	0	0	0	0

p0od[7:0]:

Specifies the open drain option for Port 0. A "1" means the corresponding I/O bit is open drain. A "0" means the corresponding I/O bit is normal drive. The content is only useful when the I/O bit is programmed as output.

Section 18 I/O Port 2

18.1 General

The 7-bit I/O Port 2 serves as a general purpose I/O port with programmable open-drain capability.

18.2 SFR Register Description

18.2.1 Port 2 register (p2)

Table 18-1 p2 register

		\$A0							
bit		7	6	5	4	3	2	1	0
R		p2[7:1]							-
W		p2[7:1]							-
Reset:		0	0	0	0	0	0	0	0

p2[7:1]:

Read value from this register reflects the pin state of Port 2. Write value to this register specifies the output level of each bit in Port 2.

18.2.2 Port 2 Direction register (p2d)

Table 18-2 p2d register

		\$FE							
bit		7	6	5	4	3	2	1	0
R		p2d[7:1]							-
W		p2d[7:1]							-
Reset:		1	1	1	1	1	1	1	1

p2d[7:1]:

Specifies the I/O direction of Port 0. A "1" means the corresponding I/O bit is input. A "0" means the corresponding I/O bit is output.

18.2.3 Port 2 Open Drain Control register (p2od)

Table 18-3 p2od register

		\$D8							
bit		7	6	5	4	3	2	1	0
R		p2od[7:1]							-
W		p2od[7:1]							-
Reset:		0	0	0	0	0	0	0	0

p2od[7:1]:

Specifies the open drain option for Port 2. A "1" means the corresponding I/O bit is open drain. A "0" means the corresponding I/O bit is normal drive. The content is only useful when the I/O bit is programmed as output.

Section 19 I/O Port 3

19.1 General

The 6-bit I/O Port 3 is a multi-functional port which is shared with IIC

Port 3[0] is shared with IIC SCL0 pin.

Port 3[1] is shared with IIC SDA0 pin.

Port 3[2] is shared with IIC SCL1 pin.

Port 3[3] is shared with IIC SDA1 pin.

Port 3[4] is shared with IIC SCL2 pin.

Port 3[5] is shared with IIC SDA2 pin.

Port 3[5:0] are always open-drain. A "1" should be written to Port 3 register to make the pin tri-stated before it can be used by IIC.

19.2 SFR Register Description

19.2.1 Port 3 register (p3)

Table 19-1 p3 register

		\$B0							
bit		7	6	5	4	3	2	1	0
R		p3[5:0]							
W									
Reset:		1	1	1	1	1	1	1	1

p3[5:0]:

Read value from this register reflects the pin state of Port 3. Write value to this register specifies the output level of each bit in Port 3. If a Port 3 pin is used for the shared function, the corresponding bit in this register must be written "1" to make the pin tri-stated.

Section 20 GPIO

20.1 General

The chip provides 5 general purpose I/O ports (Port 5~9) in addition to Port 0~4. Each port can be programmed as input, output or open drain port. Port 5 and 6 are high current drive (20mA). Port 7 is shared with Serial Port and CIR. Port 7[0] is shared with Serial Port rxd0 pin which is an serial data input or output. Port 7[1] is shared with Serial Port txd0 pin which is a clock or data output. Port 7[4] is shared with CIR input. If the shared functions are used, the shared pins need to be programmed as input to make sure the shared functions are working correctly.

20.2 SFR Register Description for Port 5~9

Each port of Port 5~9 uses 3 registers to handle I/O data, I/O direction and open drain control. All these 5 ports use the same SFR addresses for the 3 registers. To access an SFR register associated with the port, user needs to select the port first by using the Port Selection Register.

20.2.1 GPIO Port Selection register (gpio_sel)

Table 20-1 gpio_sel register

		\$A1							
bit		7	6	5	4	3	2	1	0
R		-	-	-	-	-	gpio_sel[2:0]		
W		-	-	-	-	-	gpio_sel[2:0]		
Reset:		-	-	-	-	-	0	0	0

gpio_sel[2:0]:

These 3 bits select the port of which the associated SFR registers are to be accessed.

000 = Port 5 is selected

001 = Port 6 is selected

010 = Port 7 is selected

011 = Port 8 is selected

100 = Port 9 is selected

20.2.2 GPIO IO register (gpio_io)

Table 20-2 gpio_io register

		\$9A							
bit		7	6	5	4	3	2	1	0
R		gpio_io[7:0]							
W		gpio_io[7:0]							
Reset:		0	0	0	0	0	0	0	0

gpio_io[7:0]:

Read value from this register reflects the pin state of the selected port. Write value to this register specifies the output level of each bit in the selected port.

20.2.3 GPIO Direction register (gpio_d)

Table 20-3 gpio_d register

		\$9B							
bit		7	6	5	4	3	2	1	0
R		gpio_d[7:0]							
W									
Reset:		1	1	1	1	1	1	1	1

gpio_d[7:0]:

Specifies the I/O direction of the selected port. A "1" means the corresponding I/O bit is input. A "0" means the corresponding I/O bit is output.

20.2.4 GPIO Open Drain Control register (gpio_od)

Table 20-4 gpio_od register

		\$9C							
bit		7	6	5	4	3	2	1	0
R		gpio_od[7:0]							
W									
Reset:		0	0	0	0	0	0	0	0

gpio_od[7:0]:

Specifies the open drain option for the selected port. A "1" means the corresponding I/O bit is open drain. A "0" means the corresponding I/O bit is normal drive. The content is only useful when the I/O bit is programmed as output.

Appendix A Electrical Characteristics

Absolute Maximum Conditions

Symbol	Parameter		Min	Typ	Max	Units
V_{DD}	Digital Supply Voltage		-0.3		4.0	V
V_{DDA}	Analog Supply Voltage		-0.3		4.0	V
V_I	Input Voltage	DP, DM, X_IN	-0.3		$V_{DD} + 0.3$	V
		ADC[3:0], VREFH	-0.3		$V_{DDA} + 0.3$	V
		Other Buffer Type	-0.3		5.5	V
V_O	Output Voltage	DP, DM, X_OUT, P4[4:0], P6[7:0]	-0.3		$V_{DD} + 0.3$	V
		ADC[3:0]	-0.3		$V_{DDA} + 0.3$	V
		Other Buffer Type	-0.3		5.5	V
T_J	Junction Temperature		-25		125	°C
T_{STG}	Storage Temperature		-45		125	°C
θ_{JA}	Thermal Resistance (Junction to Ambient)			41.87		°C/W
T_{LEAD}	Soldering Lead Temperature (10 second)				250	°C
ESD	Human Body Model (MIL-STD-883E 3015.7)		2000			V

NOTES: Permanent device damage may occur if absolute maximum conditions are exceeded.

Normal Operating Conditions

Symbol	Parameter	Min	Typ	Max	Units
V_{DD}	Digital Supply Voltage	3.0	3.3	3.6	V
V_{DDA}	Analog Supply Voltage	3.0	3.3	3.6	V
V_{CCN}	Supply Voltage Noise			100	mV _{p-p}
T_A	Ambient Temperature (with power applied)	0	25	70	°C

A.1 DC Specification

The following tables summarize the DC characteristics of all device pins described in section2.

CMOS/TTL DC Specifications (under normal operating conditions unless otherwise specified)

TYPE	Symbol	Parameter	Conditions	Min	Typ	Max	Units
IXXXXP	V_{IH}	High-level Input Voltage		2.0		5.5	V
	V_{IL}	Low-level Input Voltage		GND		0.8	V
IXDXXP	V_{IH}	High-level Input Voltage		2.0		5.5	V
	V_{IL}	Low-level Input Voltage		GND		0.8	V
BDUX8P	V_{IH}	High-level Input Voltage		2.0		5.5	V
	V_{IL}	Low-level Input Voltage		GND		0.8	V
	V_{OH}	High-level Output Voltage	$I_{OH} = -8 \text{ mA}$	2.4			V
	V_{OL}	Low-level Output Voltage	$I_{OL} = 8 \text{ mA}$			0.4	V
BRXX12P	V_{IH}	High-level Input Voltage		2.0		5.5	V
	V_{IL}	Low-level Input Voltage		GND		0.8	V
	V_{OH}	High-level Output Voltage	$I_{OH} = -12 \text{ mA}$	2.4			V
	V_{OL}	Low-level Output Voltage	$I_{OL} = 12 \text{ mA}$			0.4	V
BRUX8P	V_{IH}	High-level Input Voltage		2.0		5.5	V
	V_{IL}	Low-level Input Voltage		GND		0.8	V
	V_{OH}	High-level Output Voltage	$I_{OH} = -8 \text{ mA}$	2.4			V
	V_{OL}	Low-level Output Voltage	$I_{OL} = 8 \text{ mA}$			0.4	V
BRXX8P	V_{IH}	High-level Input Voltage		2.0		5.5	V
	V_{IL}	Low-level Input Voltage		GND		0.8	V
	V_{OH}	High-level Output Voltage	$I_{OH} = -8 \text{ mA}$	2.4			V
	V_{OL}	Low-level Output Voltage	$I_{OL} = 8 \text{ mA}$			0.4	V
BRXX16P	V_{IH}	High-level Input Voltage		2.0		5.5	V
	V_{IL}	Low-level Input Voltage		GND		0.8	V
	V_{OH}	High-level Output Voltage	$I_{OH} = -16 \text{ mA}$	2.4			V
	V_{OL}	Low-level Output Voltage	$I_{OL} = 16 \text{ mA}$			0.4	V
BRXX24P	V_{IH}	High-level Input Voltage		2.0		5.5	V
	V_{IL}	Low-level Input Voltage		GND		0.8	V
	V_{OH}	High-level Output Voltage	$I_{OH} = -24 \text{ mA}$	2.4			V
	V_{OL}	Low-level Output Voltage	$I_{OL} = 24 \text{ mA}$			0.4	V

	I_{INC}	Input Leakage Current	$0 \leq V_{IN} \leq V_{CC}$			+/- 10	μA
--	-----------	-----------------------	-----------------------------	--	--	--------	---------

Supply Current (under normal operating conditions unless otherwise specified)

V_{DD}	V_{DDA}	8051	XTAL	CPU CLOCK	Conditions	Min	Typ	Max	Units
3V3	3V3	RUN	24MHz	24MHz			25		mA
3V3	3V3	RUN	24MHz	12MHz			19		mA
3V3	3V3	RUN	24MHz	6MHz			16		mA
3V3	3V3	RUN	24MHz	3MHz			15		mA
3V3	3V3	RUN	24MHz	1.5MHz			14		mA
3V3	3V3	RUN	24MHz	750KHz			13.5		mA
3V3	3V3	RUN	24MHz	375KHz			13		mA
3V3	3V3	IDLE	24MHz	24MHz			6.6		mA
3V3	3V3	IDLE	24MHz	12MHz			6.25		mA
3V3	3V3	IDLE	24MHz	6MHz			6.05		mA
3V3	3V3	IDLE	24MHz	3MHz			5.96		mA
3V3	3V3	IDLE	24MHz	1.5MHz			5.88		mA
3V3	3V3	IDLE	24MHz	750KHz			5.86		mA
3V3	3V3	IDLE	24MHz	375KHz			5.84		mA
3V3	3V3	STOP	STOP	STOP			10		μA

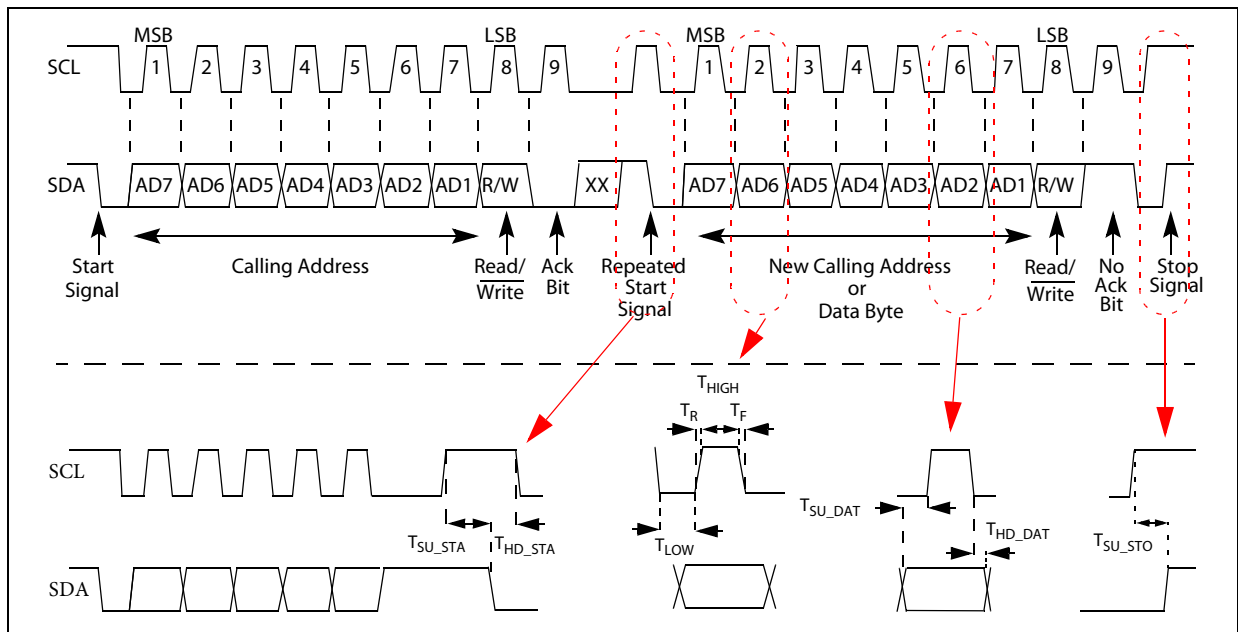
A.2 AC Specification

A.2.1 SMBUS Timing

SMBUS Timing Characteristics

Symbol	Parameter	Min	Typ	Max	Units
F_{SCL}	SCL Clock Frequency			100	KHz
T_{SU_STA}	START Condition Setup Time	4.7			us
T_{HD_STA}	START Condition Hold Time	4.0			us
T_{LOW}	SCL Low Time	4.7			us
T_{HIGH}	SCL High Time	4.0			us
T_R	SCL and SDA Rise Time			1.0	us
T_F	SCL and SDA Fall Time			0.3	us
T_{SU_DAT}	Data Setup Time	0.25			us
T_{HD_DAT}	Data Hold Time	0			us
T_{SU_STO}	STOP Condition Setup Time	4.0			us

Figure 20-1 SMBUS Transmission Protocol and Timing Definition

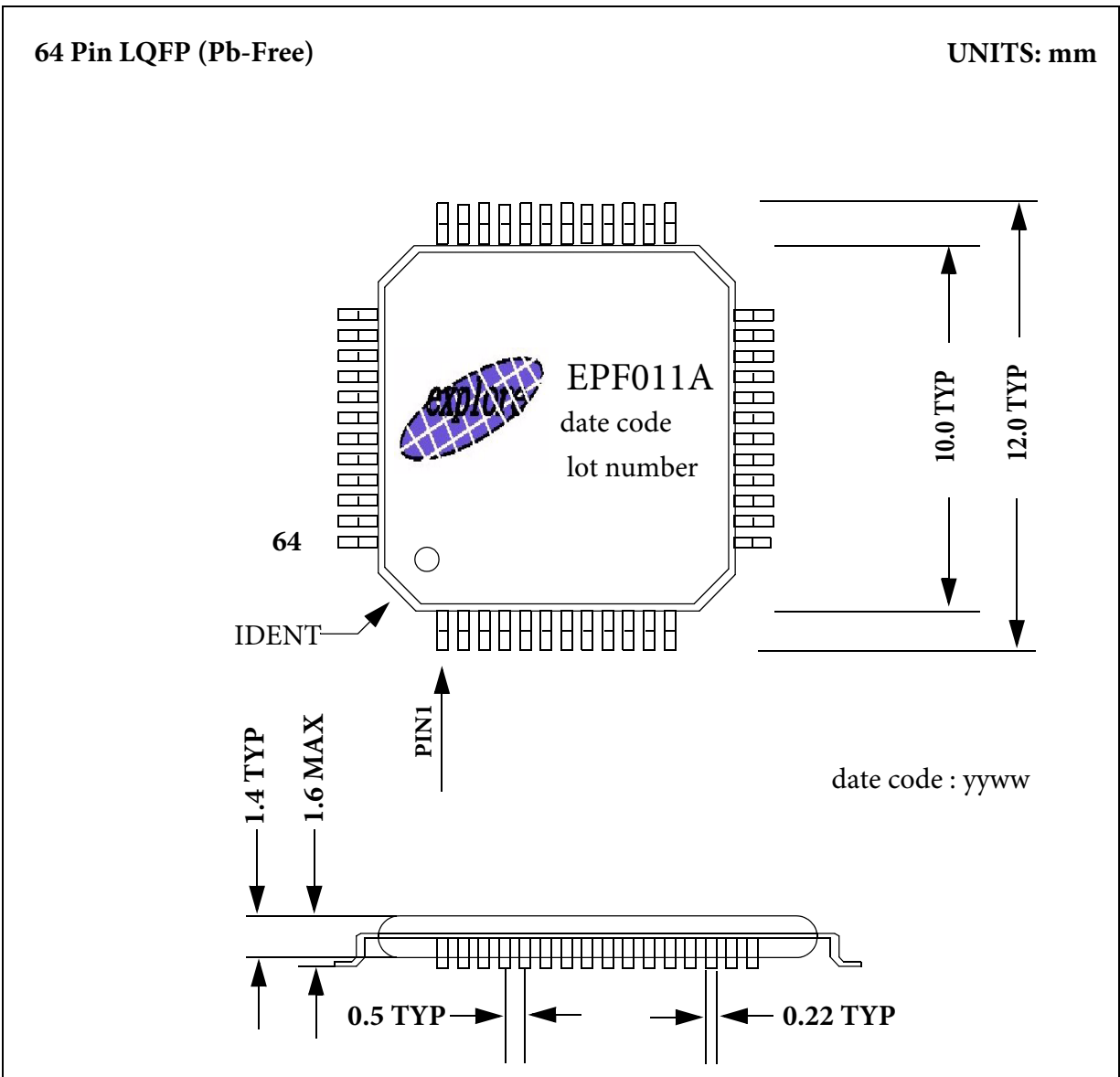


A.2.2 USB Electrical Characteristics

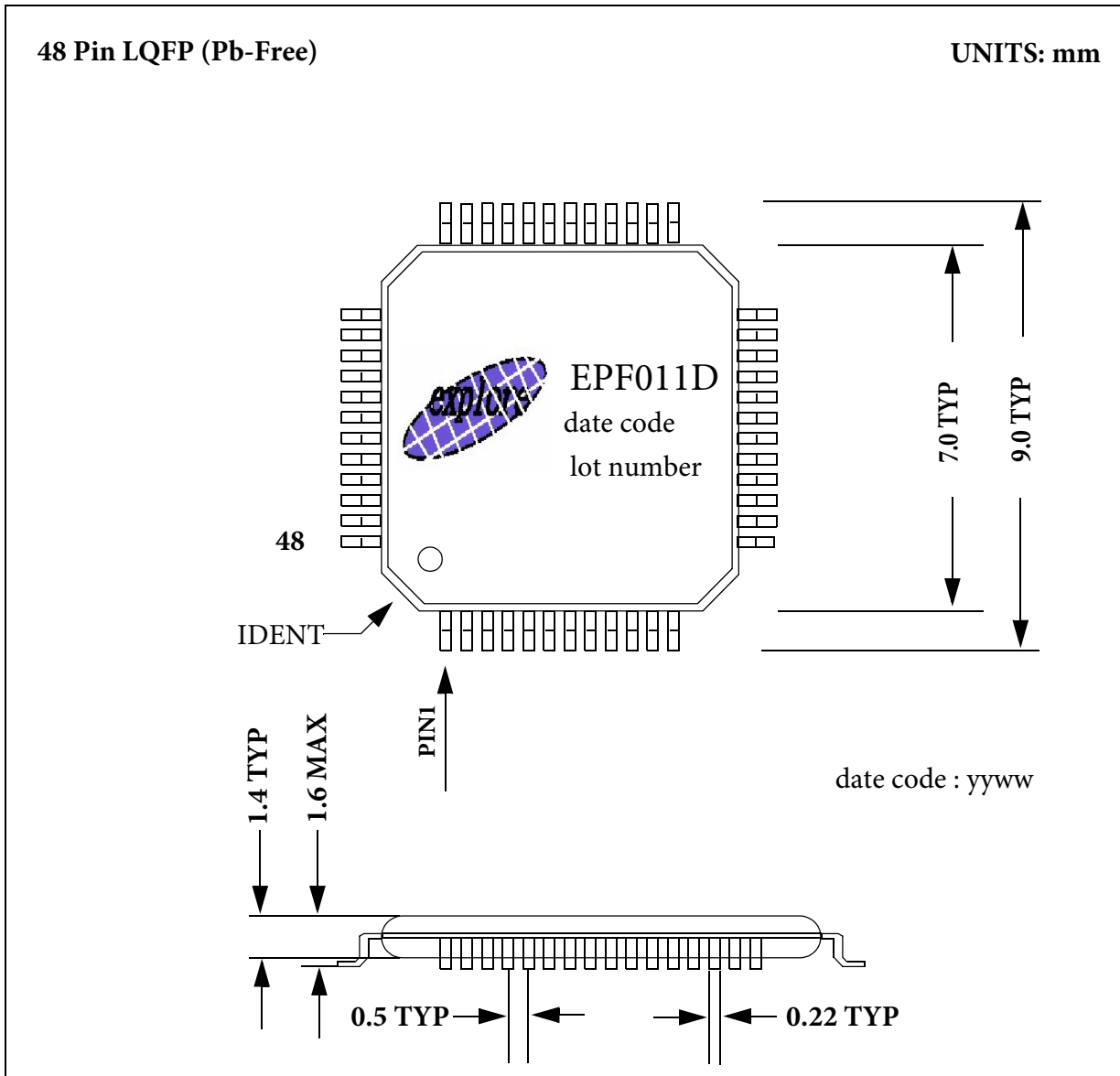
Symbol	Parameter	Min	Typ	Max	Units
$T_{R(USB)}$	USB D+/D- Rise Time (50 pF load)	4		20	ns
$T_{F(USB)}$	USB D+/D- Fall Time (50 pF load)	4		20	ns
$T_{RFM(USB)}$	USB Rise/Fall Time Matching ($T_{R(USB)}/T_{F(USB)}$)	90		100	%
$V_{CRS(USB)}$	USB Output Signal Crossover Voltage	1.3		2.0	V
$Z_{DRV(USB)}$	USB Driver Output Resistance	28		43	ohm

Appendix B Package

B.1 EPF011A Package



B.2 EPF011D Package



B.3 EPF011C Package

24 Pin SSOP (Pb-Free)

UNITS: mm

