

Dual T3/DS3/E3/STS-1 Interface Transformer

EPR1311SE

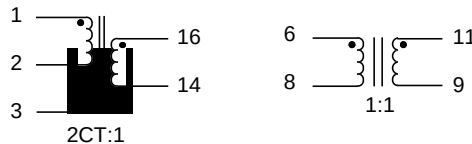
- Optimized for leading transceiver I.C.'s •
- 1500 Vrms Isolation (for 1 minute, 500 μ A Max. Leakage Current) •
 - Operating Temperature : -40°C to +85°C •
 - Meets or exceeds UL1459 & UL1450 Requirements •
- Transmit and Receive Transformers in one SMD Package •
- Return Loss meets requirements of G.703 •

Electrical Parameters @ 25° C

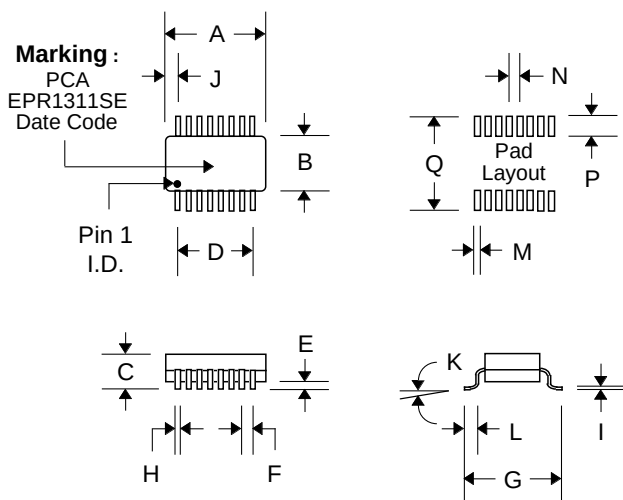
Primary Inductance (μ H Min.)		Interwinding Capacitance (pF Max.)	Leakage Inductance (nH Max.)		DCR (Ω Max.)	
@ 100 KHz, 0.1 Vrms		@ 100 KHz, 1 Vrms	@ 1 MHz, 0.1 Vrms			
40*	100**	10	100	110	0.40	0.40
Pins 16-14	Pins 11-9	Pri. to each Sec. shorted	Pins 16-14 w/ 1-2-3 shorted	Pins 11-9 w/ 6-8 shorted	Pins 16-14 or 11-9	Pins 1-2 or 2-3 or 6-8

• Characteristic Impedance : 75 Ω • * 19 μ H Min. @ -40-C • **40 μ H Min. @ -40°C •

Schematic



Package



Dimensions

Dim.	(Inches)			(millimeters)		
	Min.	Max.	Nom.	Min.	Max.	Nom.
A	.480	.500	.490	12.19	12.70	12.45
B	.260	.280	.270	6.60	7.11	6.86
C	.180	.200	.190	4.57	5.08	4.83
D	.345	.355	.350	8.76	9.02	8.89
E	.010	.015	.013	.254	.381	.330
F	---	---	.050	---	---	1.27
G	.355	.375	.365	9.02	9.53	9.27
H	.017	.022	.020	.432	.559	.508
I	.008	.013	.011	.203	.330	.279
J	.065	.075	.070	1.65	1.91	1.78
K	0°	8°	4°	0°	8°	4°
L	.025	.045	.035	.635	1.14	.889
M	---	---	.030	---	---	.762
N	---	---	.050	---	---	1.27
P	---	---	.092	---	---	2.34
Q	---	---	.460	---	---	11.68