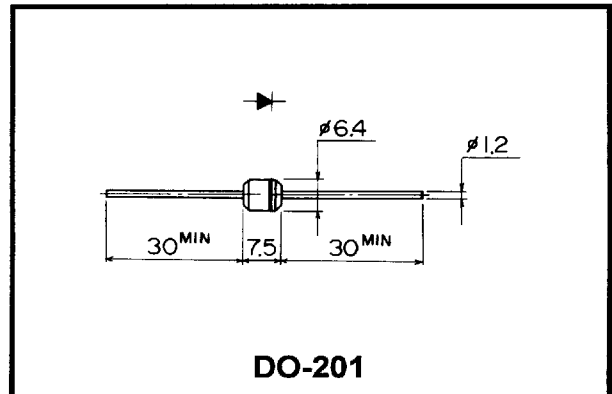


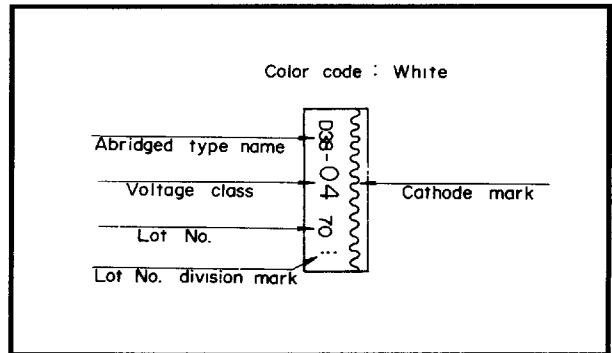
# ERD38 (1.5A)

HIGH VOLTAGE SUPER HIGH SPEED

## Outline Drawing



## Marking



## Features

- Low  $V_F$
- Super high speed switching
- High reliability

## Applications

- High speed switching

## Maximum Ratings & Characteristics

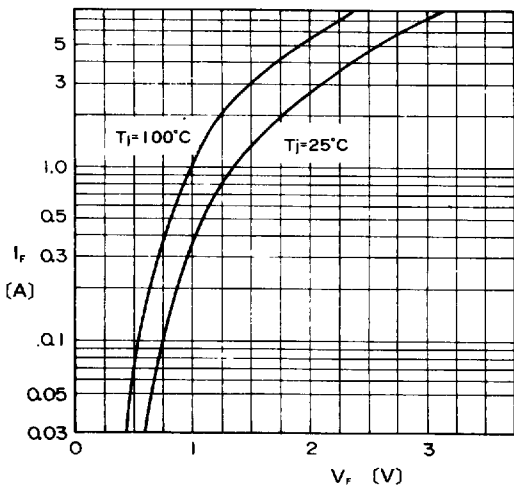
- Absolute Maximum Ratings

Items	Symbols	Conditions	Ratings			Units
			-04	-05	-06	
Repetitive Peak Reverse Voltage	$V_{RRM}$		400	500	600	V
Average Output Current	$I_O$	$T_A = 25^\circ\text{C}$ , Sq. Wave, duty = 1/2	1.5			A
Surge Current	$I_{FSM}$	Sine Wave, 10ms	80			A
Operating Junction Temperature	$T_J$		-40 to +150			$^\circ\text{C}$
Storage Temperature	$T_{stg}$		-40 to +150			$^\circ\text{C}$

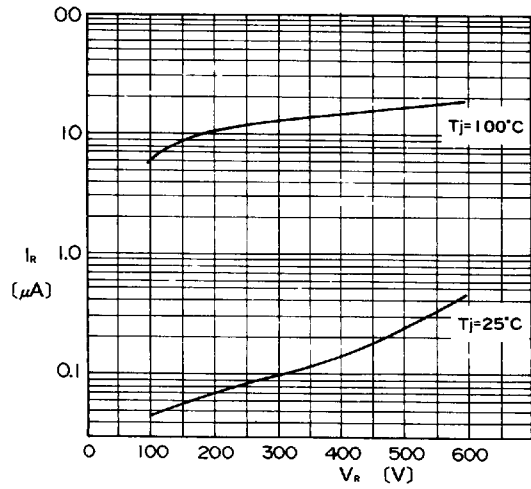
- Electrical Characteristics ( $T_a = 25^\circ\text{C}$  Unless otherwise specified)

Items	Symbols	Conditions	Ratings	Units
Forward Voltage Drop	$V_F$	$I_F = 1.5\text{A}$	2.5	V
Reverse Current	$I_R$	$V_R = V_{RRM}$	100	$\mu\text{A}$
Reverse Recovery Time	$t_{rr}$	$I_F = 0.1\text{A}$ , $I_R = 0.2\text{A}$	50	ns

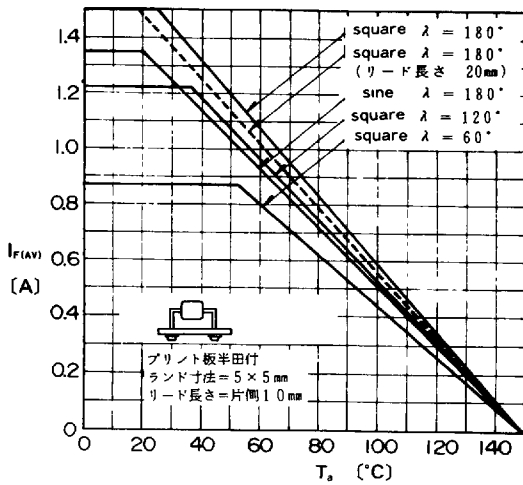
# ERD38 (1.5A)



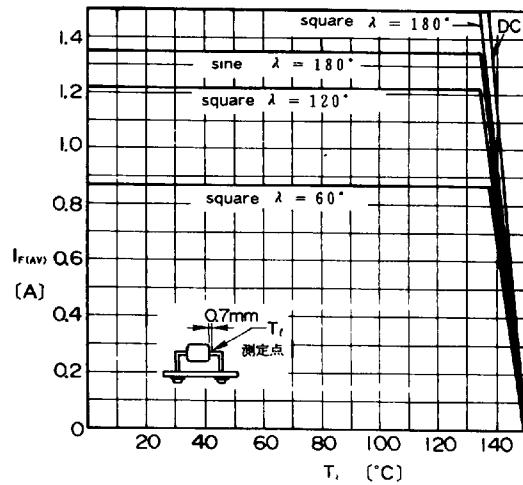
Forward Characteristics



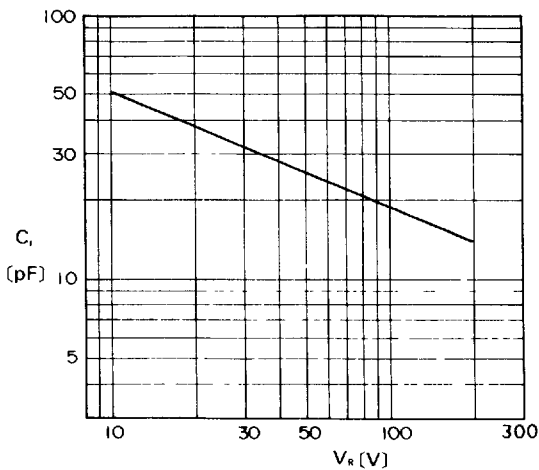
Reverse Characteristics



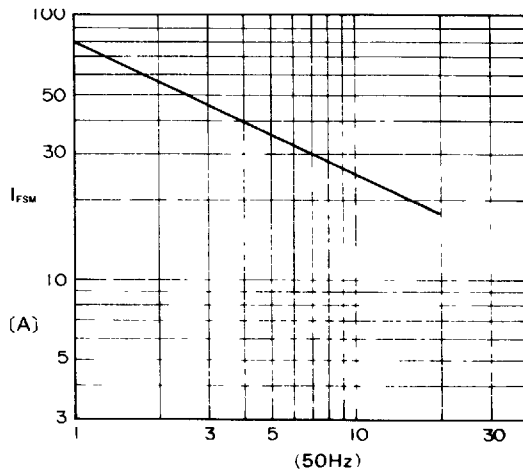
Current Derating ( $I_{F(AV)}-T_a$ )



Current Derating ( $I_{F(AV)}-T_l$ )



Junction Capacitance Characteristics



Surge Capability

Collmer Semiconductor, Inc.  
Phone: (214) 233-1589 - Fax: (214) 233-0481

2238792 0003812 898