

Small Signal Product

Fast Recovery Rectifier Diode

FEATURES

- Surface mount device type
- Moisture sensitivity level (MSL): 3
- Compliant to RoHS Directive 2011/65/EU and in accordance to WEEE 2002/96/EC
- Halogen-free according to IEC 61249-2-21
- High frequency rectifier


SOD-123


MECHANICAL DATA

- Case: Bend lead SOD-123 small outline plastic package
- Terminal: Matte tin plated, lead free, solderable per MIL-STD-202, Method 208 guaranteed
- High temperature soldering guaranteed: 260°C/10s
- Polarity: Indicated by cathode band
- Marking: E6D

MAXIMUM RATINGS AND ELECTRICAL CHARACTERISTICS (T _A =25°C unless otherwise noted)			
PARAMETER	SYMBOL	VALUE	UNIT
Peak Repetitive Reverse Voltage	V _{RRM}	600	V
Working Peak Reverse Voltage	V _{RWM}		V
RMS Reverse Voltage	V _{R(RMS)}	420	V
Average Rectified Output Current	I _o	0.4	A
Non-Repetitive Peak Forward Surge Current @ t _s ≤ 8.3 ms	I _{FSM}	16	A
Power Dissipation	P _D	415	mW
Thermal Resistance from Junction to Ambient	R _{θJA}	301	°C/W
Junction Temperature	T _J	150	°C
Storage Temperature Range	T _{STG}	- 55 to +150	°C

PARAMETER	SYMBOL	MIN	TYP	MAX	TEST CONDITION	UNIT
Reverse Leakage Current	I _R	-	-	10	V _R =600V	μA
Forward Voltage	V _F	-	-	1.32	I _F =0.4A	V
Total Capacitance	C _{tot}	-	15	-	V _R =0V, f=1.0MHz	pF
Reverse Recovery Time (Note 1)	t _{rr}	-	-	40	-	ns

 Notes: 1. Test conditions: I_F=0.5A, I_R=1A, I_{RR}=0.25A

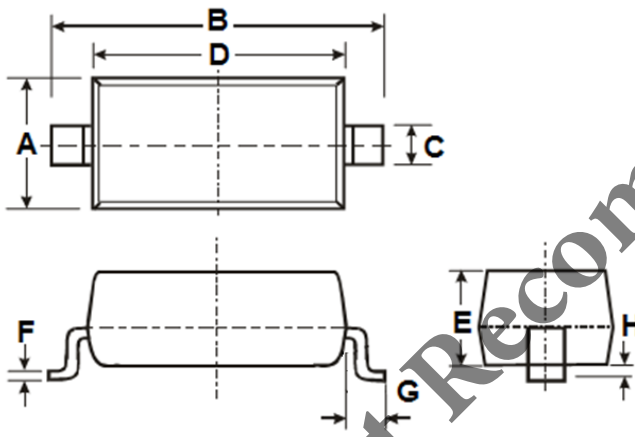
Small Signal Product

ORDERING INFORMATION				
PART NO.	PACKING CODE	PACKING CODE SUFFIX	PACKAGE	PACKING
SD101xW (Note 1 & 2)	RI	G	SOD-123	3K / 7" Reel

Note :1, "x" is Device Code from "A" - "C".
2, Whole series with green compound

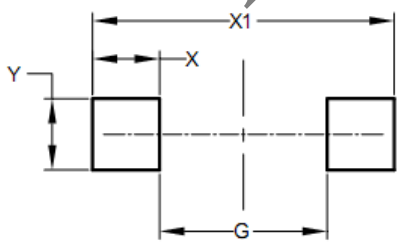
EXAMPLE				
EXAMPLE P/N	PART NO.	PACKING CODE	PACKING CODE SUFFIX	DESCRIPTION
ES0406D1 RIG	ES0406D1	RI	G	Green compound

PACKAGE OUTLINE DIMENSIONS
SOD-123



DIM.	Unit (mm)		Unit (inch)	
	Min	Max	Min	Max
A	1.40	1.80	0.055	0.071
B	3.55	3.85	0.140	0.152
C	0.45	0.70	0.018	0.028
D	2.55	2.85	0.100	0.112
E	0.95	1.35	0.037	0.053
F	0.05	0.15	0.002	0.006
G	0.50 REF		0.02 REF	
H	-	0.10	-	0.004

SUGGEST PAD LAYOUT



DIM.	Unit (mm)		Unit (inch)	
	Min	Min	Min	Min
G	2.25		0.089	
X	0.90		0.035	
X1	4.05		0.159	
Y	0.95		0.037	

Small Signal Product

Not Recommended

Notice

Specifications of the products displayed herein are subject to change without notice. TSC or anyone on its behalf, assumes no responsibility or liability for any errors or inaccuracies.

Information contained herein is intended to provide a product description only. No license, express or implied, to any intellectual property rights is granted by this document. Except as provided in TSC's terms and conditions of sale for such products, TSC assumes no liability whatsoever, and disclaims any express or implied warranty, relating to sale and/or use of TSC products including liability or warranties relating to fitness for a particular purpose, merchantability, or infringement of any patent, copyright, or other intellectual property right.

The products shown herein are not designed for use in medical, life-saving, or life-sustaining applications. Customers using or selling these products for use in such applications do so at their own risk and agree to fully indemnify TSC for any damages resulting from such improper use or sale.