



SURFACE MOUNT SUPERFAST RECOVERY RECTIFIERS

Forward Current-1.0A

Reverse Voltage-50V to 600V

FEATURES

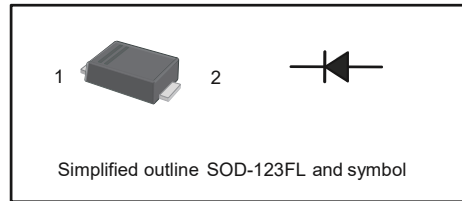
- ◆ For surface mount applications
- ◆ Glass passivated chip junction
- ◆ Low profile package
- ◆ Superfast reverse recovery time
- ◆ Lead free in comply with EU RoHS2011/65/EU directives

PINNING

PIN	DESCRIPTION
1	Cathode
2	Anode

MECHANICAL DATA

- ◆ Case: SOD-123FL molded plastic body
- ◆ Terminals: Solderable per MIL-STD-750 , Method2026
- ◆ Weight: Approximated 0.015 grams



MAXIMUM RATINGS AND ELECTRICAL CHARACTERISTICS

Ratings at 25°C ambient temperature unless otherwise specified.

Single phase half-wave 60 Hz, resistive or inductive load, for capacitive load current derating by 20 %.

PARAMETER	SYMBOL	ES1AFL -PJ	ES1BFL -PJ	ES1CFL -PJ	ES1DFL -PJ	ES1EFL -PJ	ES1GFL -PJ	ES1JFL -PJ	UNIT
Maximum Repetitive Peak Reverse Voltage	V_{RRM}	50	100	150	200	300	400	600	V
Maximum RMS Voltage	V_{RMS}	35	70	105	140	210	280	420	V
Maximum DC Blocking Voltage	V_{DC}	50	100	150	200	300	400	600	V
Maximum Average Forward Rectified Current at $T_C=125^\circ\text{C}$	$I_{F(AV)}$	1							A
Peak Forward Surge Current (Note1)	I_{FSM}	30							A
Maximum Forward Voltage at 1.0 A	V_F	1				1.25		1.68	V
Maximum DC Reverse Current at Rated DC Blocking Voltage at $T_A=25^\circ\text{C}$ $T_A=125^\circ\text{C}$	I_R	5 100							uA
Typical Junction Capacitance at $V_R=4V, f=1\text{MHz}$	C_J	15							pF
Maximum Reverse Recovery Time (Note2)	T_{rr}	35							nS
Typical Thermal Resistance (Note3)	$R_{\theta JA}$	85							$^\circ\text{C/W}$
Operating and Storage Temperature Range	T_J, T_{STG}	-55 to +150							$^\circ\text{C}$

Notes: 1. Measured at 8.3 ms single half sine wave superimposed on rated load (JEDEC Method).

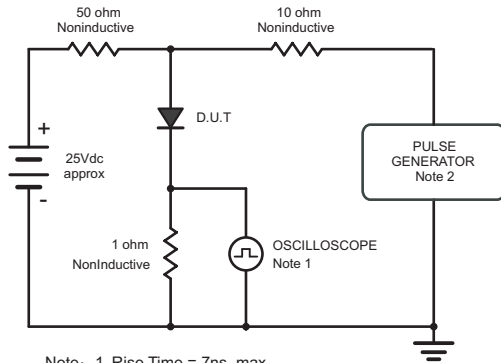
2. Measured with $I_F=0.5A$, $I_R=1A$, $I_{rr}=0.25A$.

3. P.C.B. mounted with 2.0" X 2.0" (5 X 5 cm) copper pad areas.



RATINGS AND CHARACTERISTIC CURVES

Fig.1 Reverse Recovery Time Characteristic And Test Circuit Diagram



Note: 1. Rise Time = 7ns, max.
Input Impedance = 1megohm, 22pF.
2. Rise Time = 10ns, max.
Source Impedance = 50 ohms.

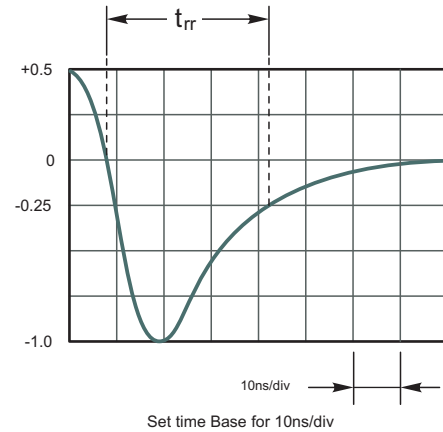


Fig.2 Maximum Average Forward Current Rating

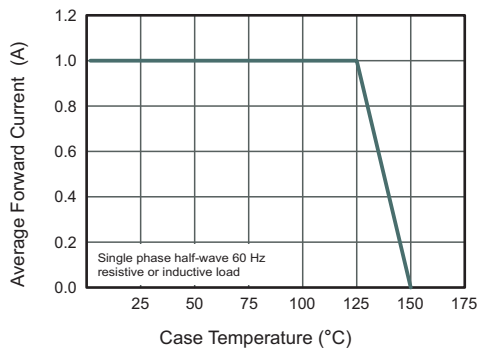


Fig.3 Typical Reverse Characteristics

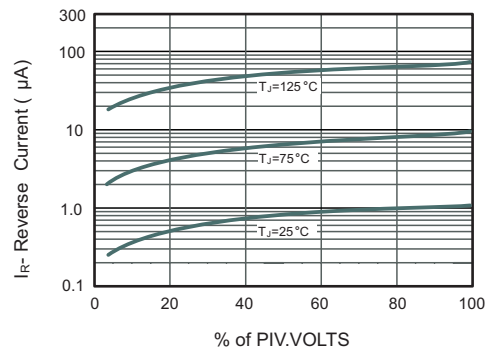


Fig.4 Typical Forward Characteristics

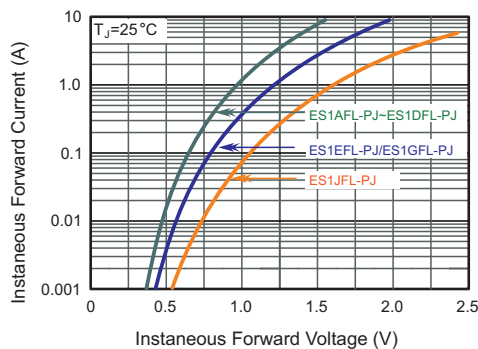


Fig.5 Typical Junction Capacitance

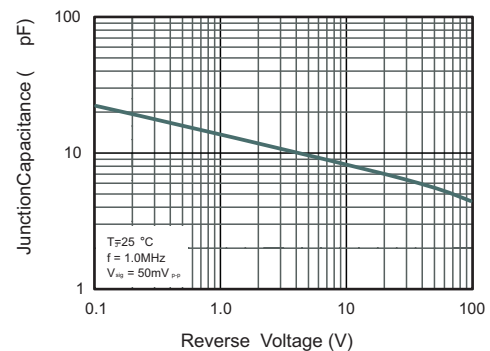
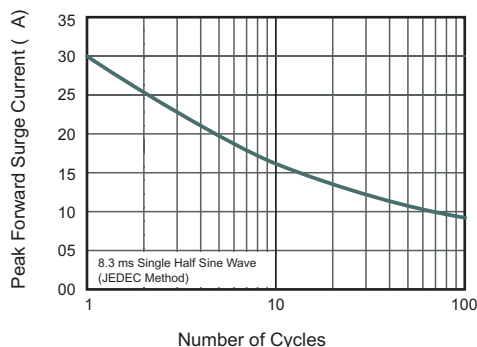


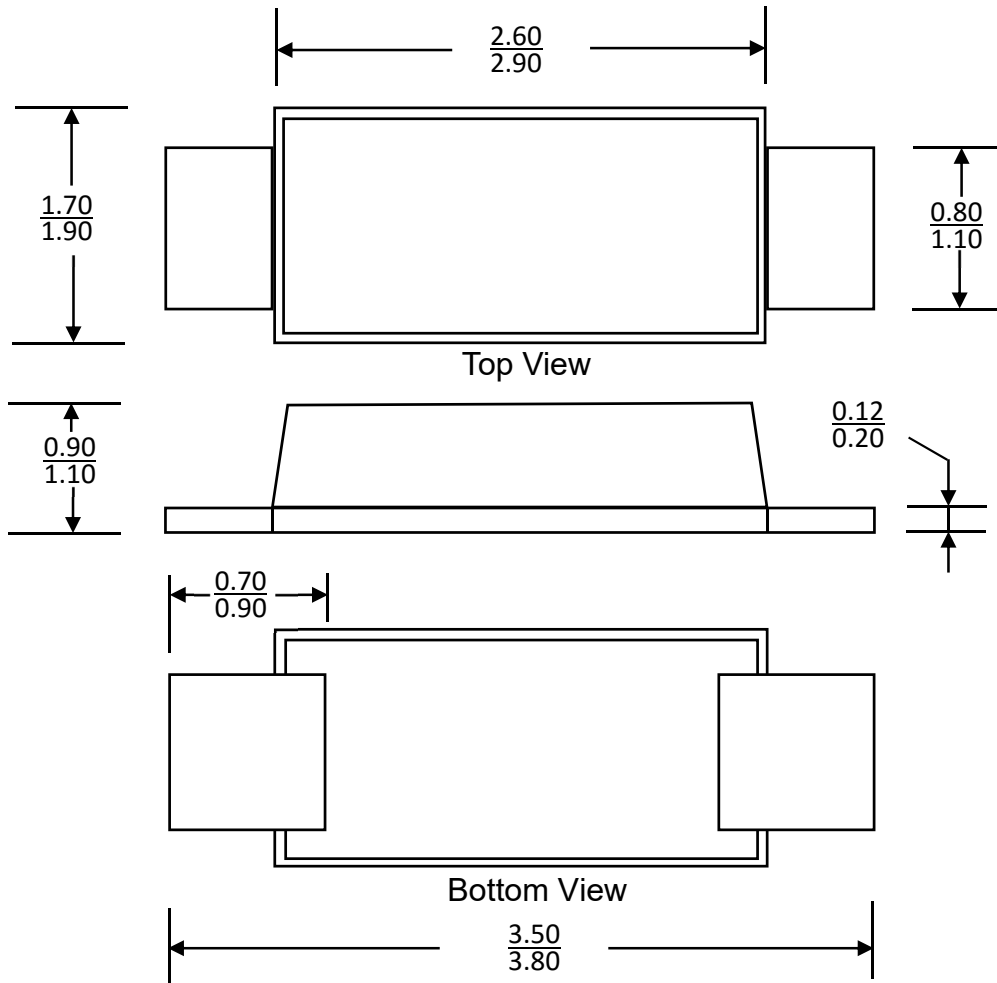
Fig.6 Maximum Non-Repetitive Peak Forward Surge Current





PACKAGE OUTLINE

SOD-123FL



Dimensions in millimeters

ORDERING INFORMATION

Device	Package	Shipping
ES1AFL-PJ thru ES1JFL-PJ	SOD-123FL	3,000/Tape & Reel (7 inches)