



UNIVERSAL SERIAL BUS CONNECTORS MICRO USB AND CABLE SERIES

ESB22 SERIES

■ FEATURES

- 0.65mm contact spacing
- USB 2.0 Specification Compliance Data Rates Beyond USB 2.0 (480Mb/s -->)
- On-The-Go Device shall conform to the OTG requirements as set forth in the On-The-Go Supplement to the USB 2.0 Specification
- The Micro-USB specification defines the following additional connectors: Micro-B plug and receptacle, Micro-AB receptacle, Micro-A plug
- The Micro-AB receptacle is only allowed on OTG products. All other uses of the Micro-AB receptacle are prohibited. The Micro-AB receptacle accepts either a Micro-A plug or a Micro-B plug
- Receptacle and plug housings are UL 94V-0 grade fire retardant
- Applications: Mobile Phones, Portable devices, MP3 players, Portable digital video players, Digital still cameras, Digital video cameras

■ SPECIFICATIONS

1.ELECTRICAL

- Voltage rating: 20mVAC
- Current rating: 1.8A
- Contact resistance: 30mΩ Max.
- Insulation resistance: 100MΩ Min.
- Dielectric strength: 100VAC Min.

2.MECHANICAL

- Durability: 10000 cycles
- Mating force: 35N Max.
- Unmating force: 8N Min.

■ MATERIALS

1.MATERIAL

- Contacts: Copper Alloy
- Shell: Stainless Steel
- Housing: Thermoplastic high-Temp
- Latch: Stainless Steel

2.PLATING

- Nickel In All Area
- Contact: Au over Nickel
- Shell: Nickel In All Area

■ PACKING

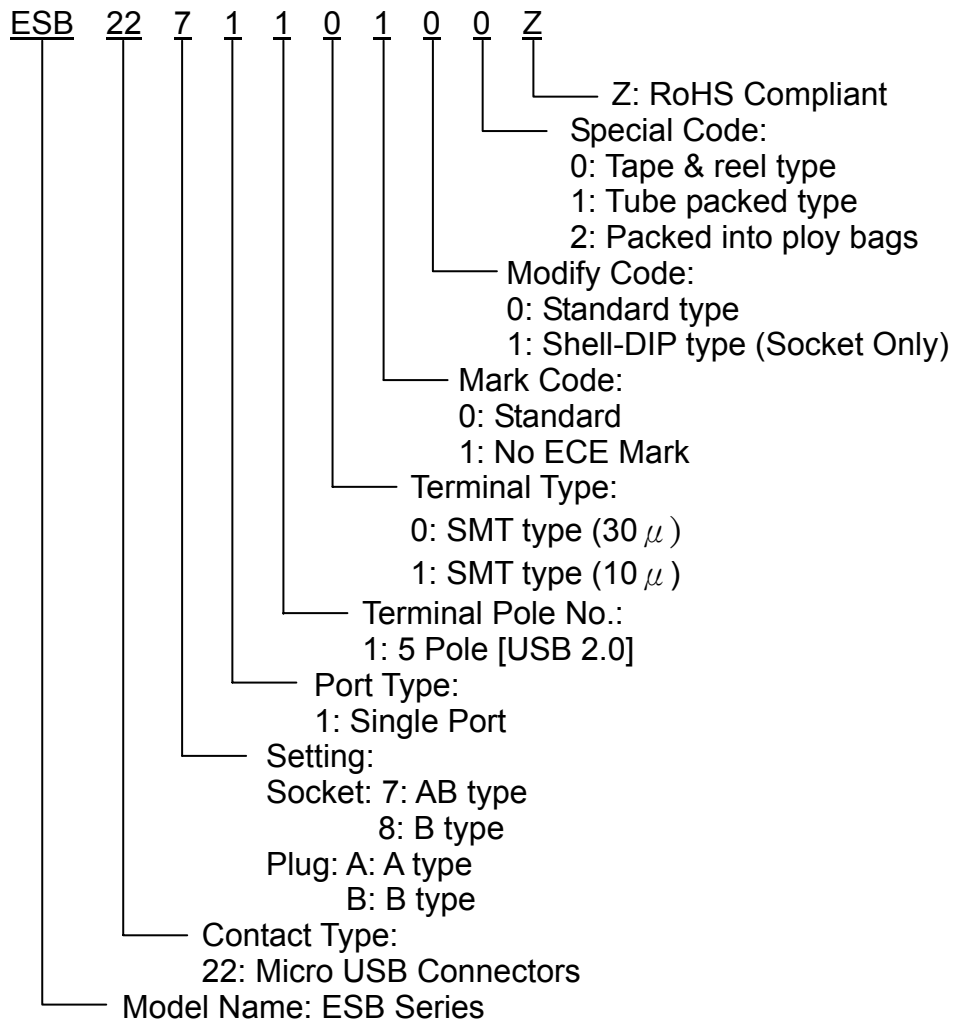
1.Packing method

- All cable are packed into ploy bags and then packed into boxes.
- All connector are packed using tape & reel or Tube parked methods.

2.Information on label (stuck to each ploy bag, reel and box)

- (1)Part NO. (2)Description (3)Lot NO. (4)Quantity (5)Tester NO.
(6)Reprocess NO. (7)QC stamp (8)Date (9)ECE mark (10)Manufacturers name

■ PART NUMBERING SYSTEM



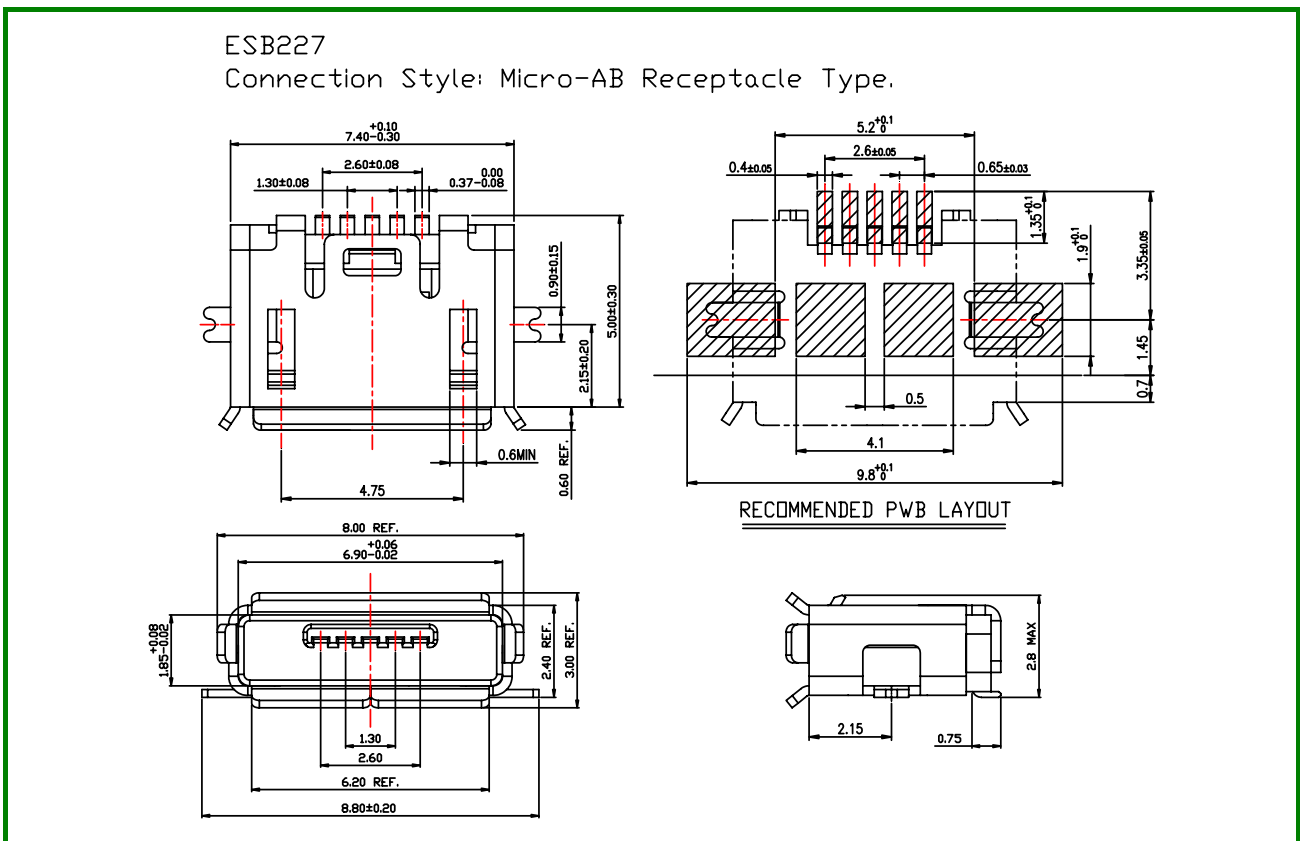
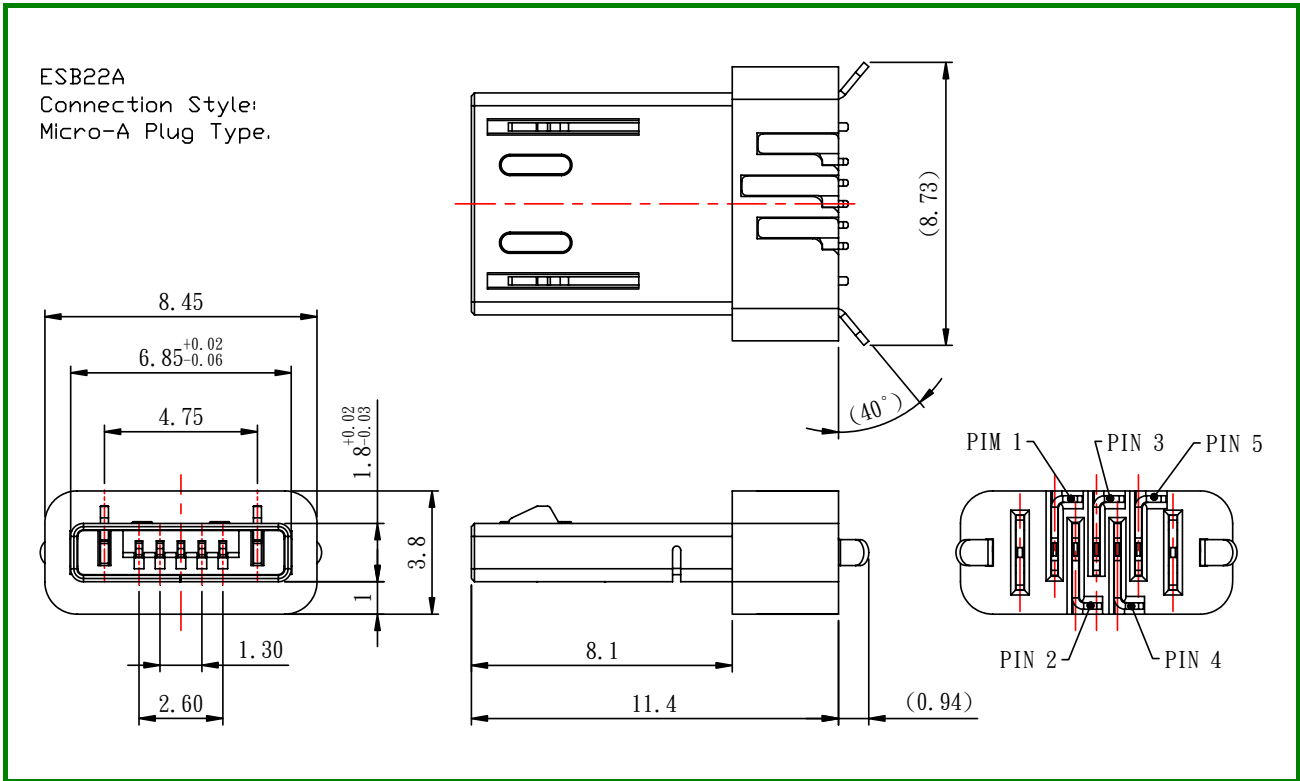
ESB22A(A Plug) + ESB227(AB Socket)



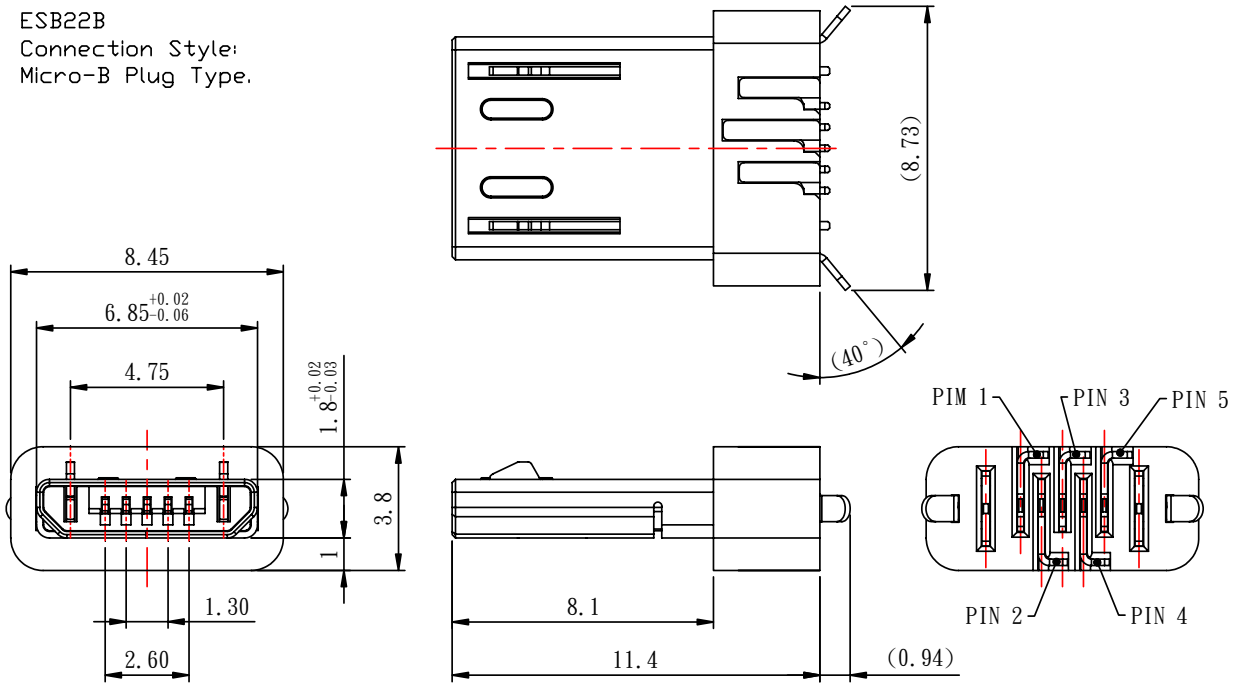
ESB22B(B Plug) + ESB228(B Socket)



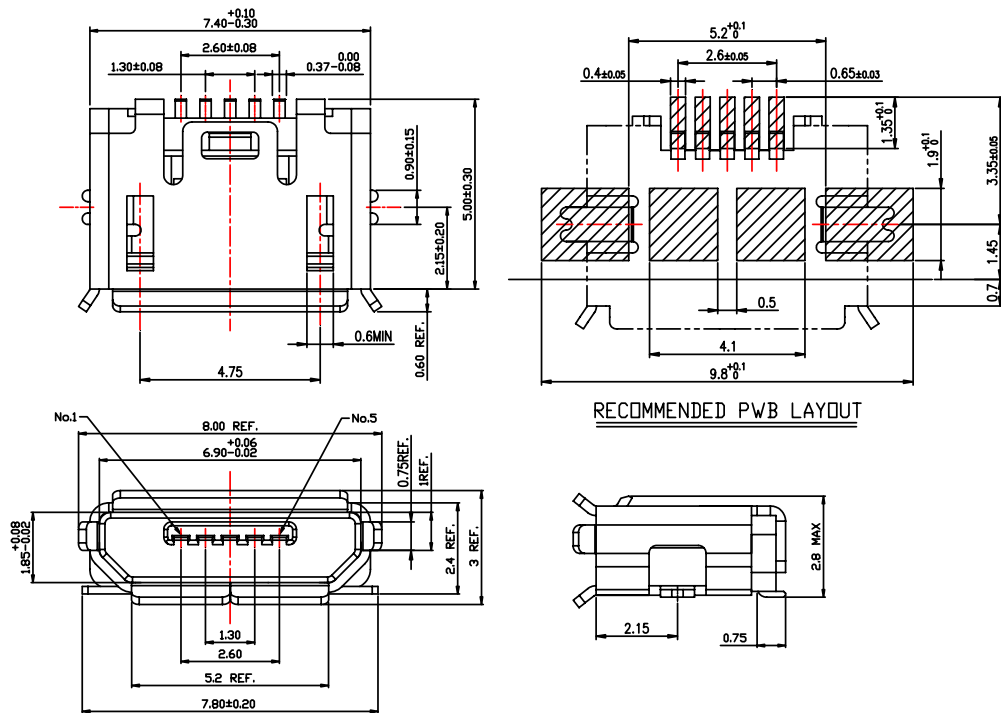
DIMENSIONS UNIT:mm



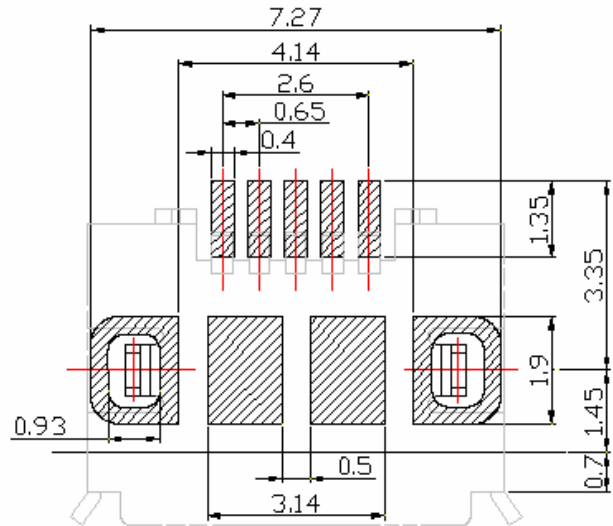
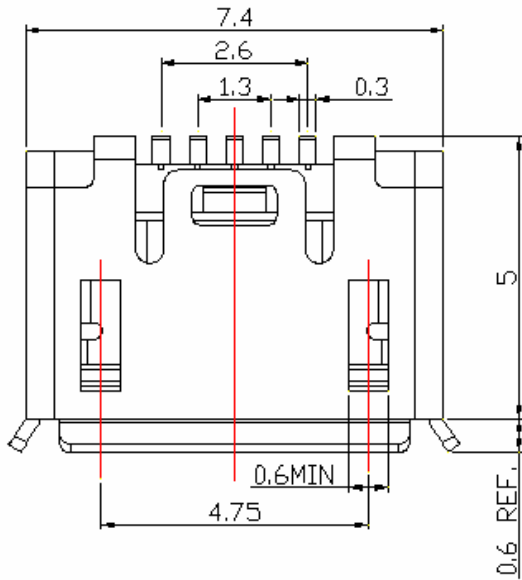
ESB22B
 Connection Style:
 Micro-B Plug Type.



ESB228 UNIT:mm
 Connection Style: Micro-B Receptacle Type.



ESB 228 UNIT:mm
(Micro-B Receptacle DIP Type)



RECOMMENDED PWB LAYOUT

