

# Support pour Relais SP/ST

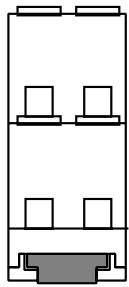
## Socket for SP/ST relay

### ESD05000

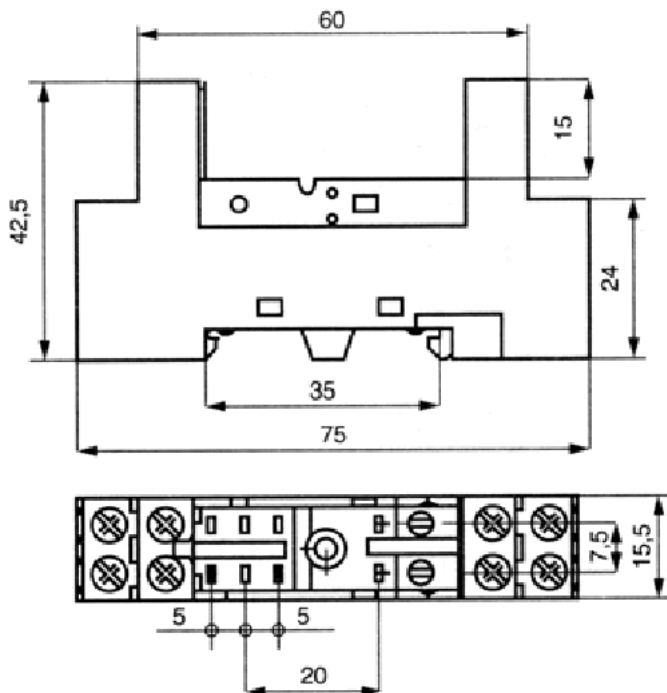
Screw terminal sockets for use with SPA/SPD and STA/STD/STN solid state relays compatible with Electromechanical relays, having 5mm pin spacing.

Mounting can be arranged either directly on panel or via DIN-46377 Omega rail. The screw terminals have jaw-type rising clamps offering touch-proof (IP20) protection. Their reduced lateral dimension is ideally suited on high density DIN-rail applications.

An optional plastic retaining spring, acting also as a relay ejecting device (1 model for SP and 1 model for ST), and a clip-on identification tab are available to complete the series



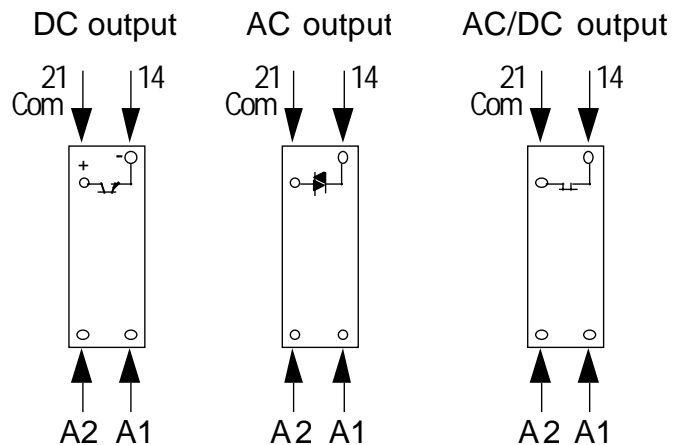
#### Dimensions



Specifications :  
Insulation resistance  
Dielectric strength  
UL, CSA

12A 250VAC (\*)  
>1000Mohms  
>3KV

(\*) see SSR specifications



ISO 9001  
N° 1993/1106a

*Proud to serve you*

All technical characteristics are subject to change without previous notice.  
Caractéristiques sujettes à modifications sans préavis.

**celduc**<sup>®</sup>  
r e l a i s

— [www.celduc.com](http://www.celduc.com)