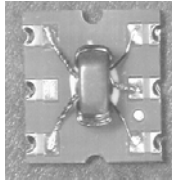




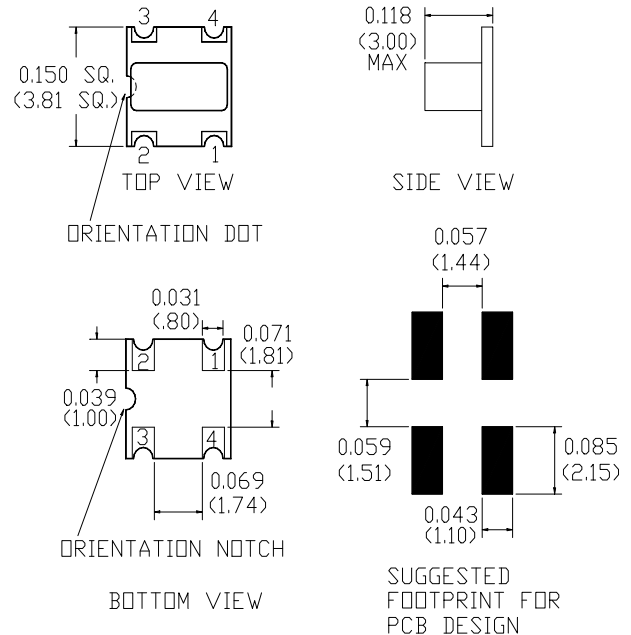
E-Series 2-Way 0° Power Divider 50 - 120MHz

Features

- 2 Way
- 0 Degree
- Surface Mount



SM-114 Package



Description

M/A-COM's ESSM-2-9-75 is a 2 Way 0° Power Divider in a low cost, surface mount package. Ideally suited for high volume cellular, wireless and CATV applications. No external resistor is required with this part.

Electrical Specifications @25°C

Parameter	Units	Typical	Minimum	Maximum
Frequency Range	50- 120	MHz	—	—
Insertion Loss	5 - 120 MHz	dB	00.3	00.6 .0
Isolation	5 - 50MHz	dB	—	23
	50 - 60MHz	dB	—	22
	60 - 120MHz	dB	—	21
Amplitude Unbalance	5 - 120MHz	dB	—	00.5
Phase Unbalance	5 - 120 MHz	°	—	2.0°

Please Note that the photograph above indicates package shape only, unit may be wired differently.

V3.00

ADVANCED: Data Sheets contain information regarding a product M/A-COM Technology Solutions is considering for development. Performance is based on target specifications, simulated results, and/or prototype measurements. Commitment to develop is not guaranteed.
PRELIMINARY: Data Sheets contain information regarding a product M/A-COM Technology Solutions has under development. Performance is based on engineering tests. Specifications are typical. Mechanical outline has been fixed. Engineering samples and/or test data may be available. Commitment to produce in volume is not guaranteed.

• **North America** Tel: 800.366.2266 • **Europe** Tel: +353.21.244.6400
 • **India** Tel: +91.80.4155721 • **China** Tel: +86.21.2407.1588
 Visit www.macomtech.com for additional data sheets and product information.

M/A-COM Technology Solutions Inc. and its affiliates reserve the right to make

Absolute Maximum Ratings

Parameter	Absolute Maximum
RF Power	1 Watt
Internal Load Dissipation	0.125 Watt
Pin Temp (10 Sec)	260°C
Operating/Storage Temperature	-55°C to +100°C

Functional Configuration

Function	Pin No.
Not Connected	—
External 75 Ohms	—
Ground	3
Case Ground	—
Input	2
Port 1	1
Port 2	4

V3.00

ADVANCED: Data Sheets contain information regarding a product M/A-COM Technology Solutions is considering for development. Performance is based on target specifications, simulated results, and/or prototype measurements. Commitment to develop is not guaranteed.

PRELIMINARY: Data Sheets contain information regarding a product M/A-COM Technology Solutions has under development. Performance is based on engineering tests. Specifications are typical. Mechanical outline has been fixed. Engineering samples and/or test data may be available. Commitment to produce in volume is not guaranteed.

• **North America** Tel: 800.366.2266 • **Europe** Tel: +353.21.244.6400
 • **India** Tel: +91.80.4155721 • **China** Tel: +86.21.2407.1588

Visit www.macomtech.com for additional data sheets and product information.

M/A-COM Technology Solutions Inc. and its affiliates reserve the right to make