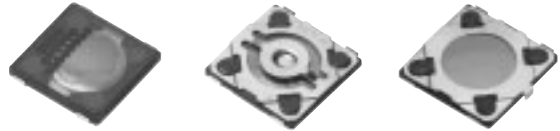


### 4 mm Square SMD Light Touch Switches

Type: **EVQP6/EVQ6P6/EVQ7P6/EVQ9P6**



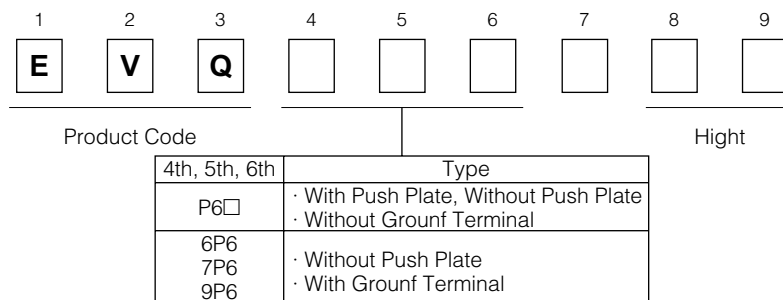
#### ■ Features

- External dimensions : 4.1 mm×4.1 mm  
Height :Without Push Plate 0.35 mm, With Push Plate 0.58 mm  
:Without Push Plate-With Ground Terminal 0.43 mm
- Long-life : 1000000 cycles min.  
(Operating Force 1.6 N Type)
- Dust-proof structure

#### ■ Recommended Applications

- Operating switches for portable electronic equipment  
(Mobile phones, Camcorders, Portable audio players, etc.).

#### ■ Explanation of Part Numbers



#### ■ Product Chart

Height Packaging Operating Force	Without Push Plate H=0.35 mm	With Push Plate H=0.58 mm	Without Push Plate With Ground Terminal H=0.43 mm
	Embossed	Embossed	Embossed
1.0 N	—	—	EVQ7P6
1.6 N	EVQP6D	EVQP6L	EVQ6P6
2.4 N	EVQP6P	EVQP6Y	EVQ9P6

#### ■ Specifications

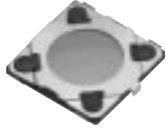
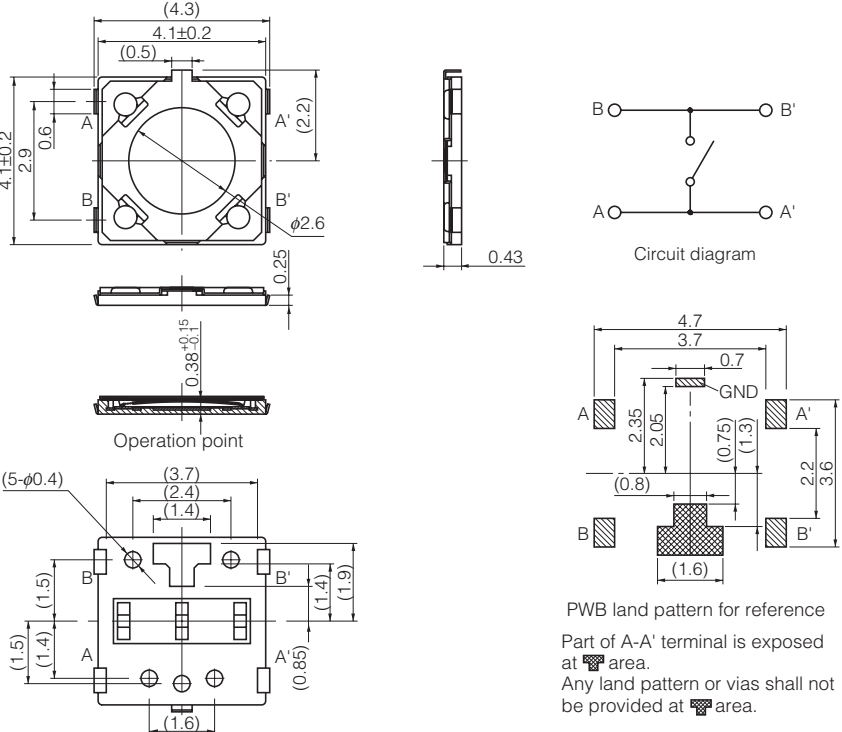

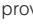
Type		Snap action / Push-on type SPST	
		Without Push Plate	With Push Plate
Electrical	Rating	10 μA 2 Vdc to 20 mA 15 Vdc (Resistive load)	
	Contact Resistance	500 mΩ max.	
	Insulation Resistance	50 MΩ min.	
	Dielectric Withstanding Voltage	250 Vac for 1 minute	
	Bouncing	8 ms max. (ON, OFF)	
Mechanical	Operating Force	1.0 N, 1.6 N, 2.4 N	
	Travel	0.2 mm	
Endurance	Operating Life	1.0 N, 1.6 N : 1000000 cycles min. 2.4 N : 500000 cycles min.	
Operating Temperature		-20 °C to +70 °C	
Storage Temperature		-40 °C to +85 °C (Bulk) -20 °C to +60 °C (Taping)	
Minimum Quantity/Packing Unit		10000 pcs. Embossed Taping (Reel Pack)	
Quantity/Carton		50000 pcs.	

Note: Non washable

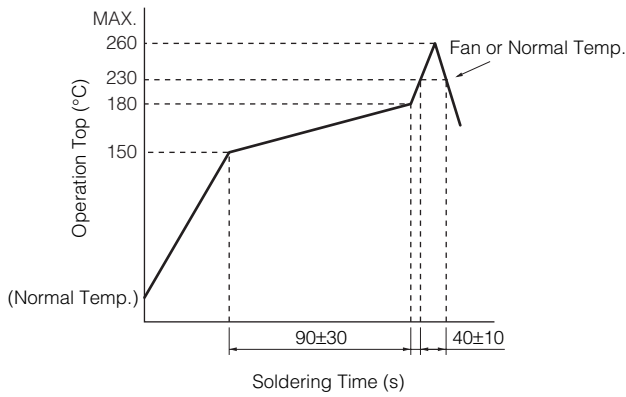
Design and specifications are each subject to change without notice. Ask factory for the current technical specifications before purchase and/or use.  
Should a safety concern arise regarding this product, please be sure to contact us immediately.



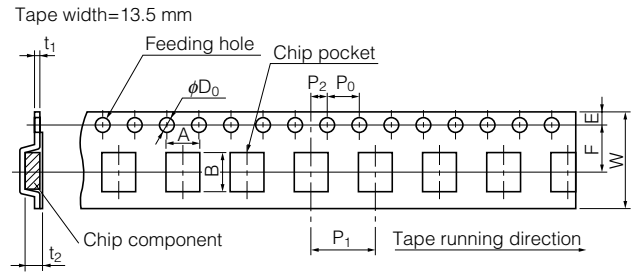
■ Dimensions in mm (not to scale)

<p>No. 3</p> <p>EVQ7P6 EVQ6P6 EVQ9P6</p> <p>(Embossed Taping)</p> <p>Surface mount For reflow soldering Without push plate With Ground Terminal</p> 	 <p>Circuit diagram</p> <p>PWB land pattern for reference Part of A-A' terminal is exposed at  area. Any land pattern or vias shall not be provided at  area.</p>		
<p>Part Numbers</p>	<p>Operating Force</p>	<p>Height</p>	<p>Operating Life</p>
<p>EVQ7P6B40</p>	<p>1.0 N</p>	<p>0.43 mm</p>	<p>1000000 cycles</p>
<p>EVQ6P6B40</p>	<p>1.6 N</p>	<p>0.43 mm</p>	<p>1000000 cycles</p>
<p>EVQ9P6B40</p>	<p>2.4 N</p>	<p>0.43 mm</p>	<p>500000 cycles</p>

### Recommended Reflow Soldering Conditions



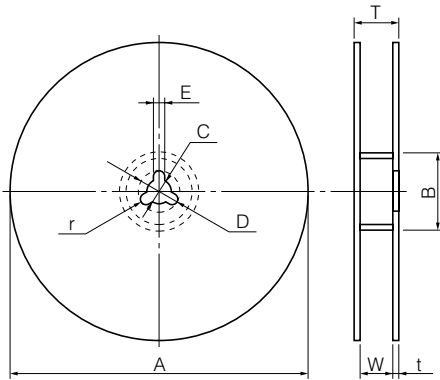
### Embossed Carrier Taping



Unit: mm

Part No.	Height	A	B	W	F	E	P <sub>1</sub>	P <sub>2</sub>	P <sub>0</sub>	D <sub>0</sub> Dia.	t <sub>1</sub>	t <sub>2</sub>
EVQP6	0.35/0.58	4.0±0.2	5.0±0.2	12.0 <sup>+0.3</sup> <sub>-0.1</sub>	5.5±0.1	1.75±0.10	8.0±0.1	2.0±0.1	4.0±0.1	1.5 <sup>+0.1</sup> <sub>-0</sub>	0.30±0.05	0.5/0.7 <sup>+0.2</sup> <sub>-0.1</sub>
EVQ6P6	0.43											
EVQ7P6												
EVQ9P6												

### Standard Reel Dimensions in mm (not to scale)

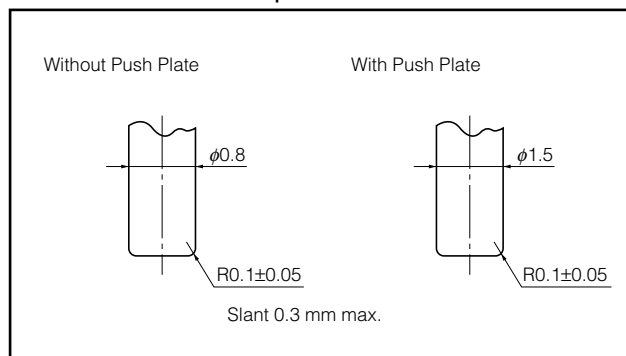


Item	A	B	C	D	E
Rate (mm)	φ380.0±2.0	φ80.0 min.	φ13.0±0.5	φ21.0±1.0	2.0±0.5

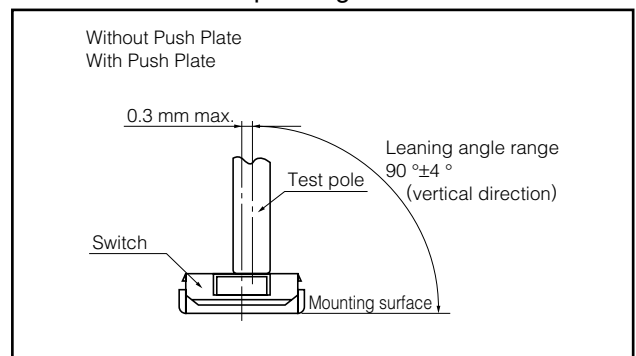
  

Item	W	T	t	r
Rate (mm)	13.5±1.5	17.5±1.0	1.0 to 3.0	1.0±0.5

### Recommended Shape of Test Pole



### Recommended Operating Conditions



Design and specifications are each subject to change without notice. Ask factory for the current technical specifications before purchase and/or use. Should a safety concern arise regarding this product, please be sure to contact us immediately.

00 Sep. 2010