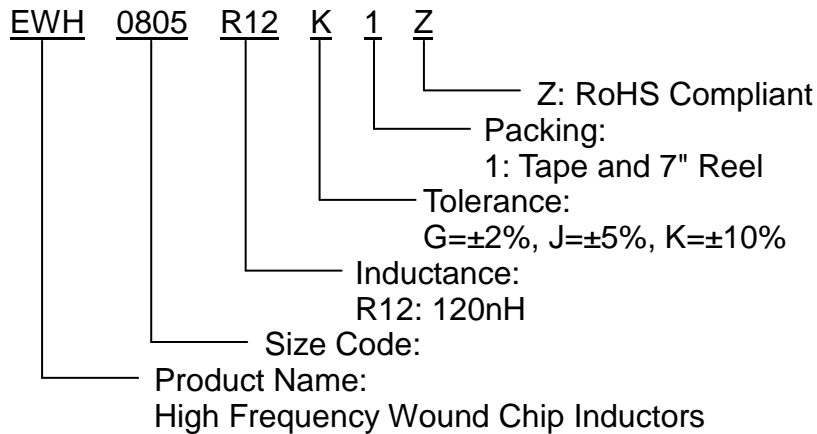


HIGH FREQUENCY WOUND CHIP INDUCTORS EWH SERIES

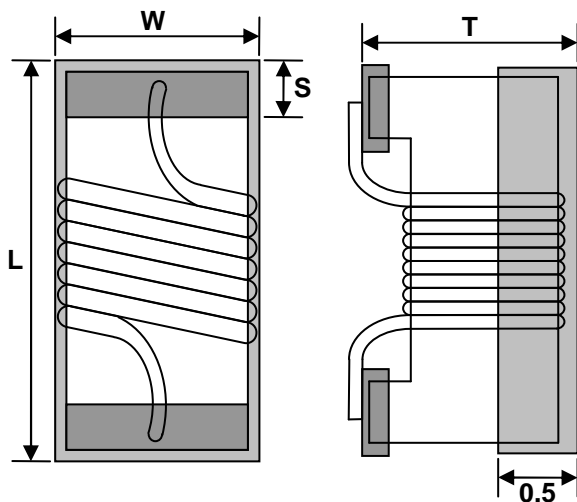
FEATURES

- Our EWH series have been designed especially for high frequency and endurance high current characteristic.
- Ceramic body and wire wound construction delivers the highest SRFs especially also appears superior Q value even at high frequency.
- These ultra-compact size inductors are provided for high density PCB.
- Excellent for SRFs and Q values applications such as communication equipment, cellular phones, computer communication, etc..

PART NUMBERING SYSTEM



DIMENSIONS



UNIT: mm

Type	L	W	T	S
0603	1.6±0.2	1.05±0.2	1.05±0.2	0.35±0.1
0805	2.0±0.2	1.25±0.2	1.20±0.2	0.40±0.1
1008	2.5±0.2	2.00±0.2	2.20±0.2	0.50±0.1



ECE —
The Name You Can Trust!

■ ELECTRICAL CHARACTERISTICS

◆ TYPE: EWH 0603

Part No.	Inductance (nH)	Test Freq. (MHz)	Tolerance (±%)	Q (Min.)	Test Freq. (MHz)	SRF (MHz) Min.	DC Resistance (Ω)Max.	Rating Current (mA)Max.
EWH0603-1N6	1.6	250	J,K	24	250	12500	0.030	700
EWH0603-1N8	1.8	250	J,K	16	250	12500	0.045	700
EWH0603-3N3	3.3	250	J,K	30	250	5900	0.045	700
EWH0603-3N6	3.6	250	J,K	22	250	5900	0.063	700
EWH0603-3N9	3.9	250	J,K	22	250	6900	0.080	700
EWH0603-4N3	4.3	250	J,K	22	250	5900	0.063	700
EWH0603-4N7	4.7	250	J,K	20	250	5800	0.085	700
EWH0603-5N1	5.1	250	J,K	20	250	5700	0.115	700
EWH0603-5N6	5.6	250	J,K	18	250	5800	0.160	700
EWH0603-6N3	6.3	250	J,K	26	250	5700	0.115	700
EWH0603-6N8	6.8	250	J,K	27	250	5800	0.125	700
EWH0603-7N5	7.5	250	J,K	28	250	4800	0.115	700
EWH0603-8N2	8.2	250	J,K	30	250	4700	0.125	700
EWH0603-8N7	8.7	250	J,K	28	250	4600	0.109	700
EWH0603-9N5	9.5	250	J,K	28	250	5400	0.145	700
EWH0603-10N	10	250	G,J,K	31	250	4800	0.145	700
EWH0603-11N	11	250	G,J,K	30	250	4000	0.145	700
EWH0603-12N	12	250	G,J,K	35	250	4000	0.145	700
EWH0603-15N	15	250	G,J,K	35	250	4000	0.180	700
EWH0603-16N	16	250	G,J,K	34	250	3300	0.170	700
EWH0603-18N	18	250	G,J,K	35	250	3100	0.180	700
EWH0603-22N	22	250	G,J,K	38	250	3000	0.205	700
EWH0603-23N	23	250	G,J,K	38	250	2850	0.205	700
EWH0603-24N	24	250	G,J,K	36	250	2650	0.205	700
EWH0603-27N	27	250	G,J,K	40	250	2800	0.220	600
EWH0603-30N	30	250	G,J,K	37	250	2250	0.220	600
EWH0603-33N	33	250	G,J,K	40	250	2300	0.240	600
EWH0603-36N	36	250	G,J,K	37	250	2080	0.250	600
EWH0603-39N	39	250	G,J,K	40	250	2200	0.260	600
EWH0603-43N	43	250	G,J,K	38	250	2000	0.280	600
EWH0603-47N	47	200	G,J,K	38	200	2000	0.280	600
EWH0603-56N	56	200	G,J,K	38	200	1900	0.310	600
EWH0603-68N	68	200	G,J,K	37	200	1700	0.340	600
EWH0603-72N	72	150	G,J,K	34	150	1700	0.490	400
EWH0603-82N	82	150	G,J,K	34	150	1700	0.540	400



ECE —
The Name You Can Trust!

Part No.	Inductance (nH)	Test Freq. (MHz)	Tolerance (±%)	Q (Min.)	Test Freq. (MHz)	SRF (MHz) Min.	DC Resistance (Ω)Max.	Rating Current (mA)Max.
EWH0603-91N	91	150	G,J,K	34	150	1500	0.560	400
EWH0603-R10	100	150	G,J,K	34	150	1400	0.580	400
EWH0603-R11	110	150	G,J,K	32	150	1350	0.610	300
EWH0603-R12	120	150	G,J,K	32	150	1300	0.750	300
EWH0603-R15	150	150	G,J,K	28	150	990	0.920	280
EWH0603-R18	180	100	G,J,K	25	100	990	1.250	240
EWH0603-R20	200	100	G,J,K	25	100	990	1.500	200
EWH0603-R22	220	100	G,J,K	25	100	900	1.700	200
EWH0603-R27	270	100	G,J,K	24	100	900	2.450	170
EWH0603-R33	330	100	G,J,K	25	100	900	2.750	100
EWH0603-R39	390	100	G,J,K	25	100	900	3.150	100
EWH0603-R47	470	100	G,J,K	25	100	750	4.000	80



ECE —
The Name You Can Trust!

◆ **TYPE: EWH 0805**

Part No.	Inductance (nH)	Test Freq. (MHz)	Tolerance (±%)	Q (Min.)	Test Freq. (MHz)	SRF (MHz) Min.	DC Resistance (Ω)Max.	Rating Current (mA)Max.
EWH0805-2N8	2.8	250	J,K	70	1500	7900	0.06	800
EWH0805-3N0	3.0	250	J,K	55	1500	7900	0.08	800
EWH0805-3N3	3.3	250	J,K	45	1500	7900	0.12	600
EWH0805-5N6	5.6	250	J,K	65	1000	5500	0.08	600
EWH0805-6N8	6.8	250	J,K	50	1000	5500	0.11	600
EWH0805-7N5	7.5	250	J,K	50	1000	4500	0.14	600
EWH0805-8N2	8.2	250	J,K	50	1000	4700	0.16	600
EWH0805-10N	10	250	G,J,K	60	500	4200	0.10	600
EWH0805-12N	12	250	G,J,K	50	500	4000	0.15	600
EWH0805-15N	15	250	G,J,K	50	500	3400	0.17	600
EWH0805-18N	18	250	G,J,K	50	500	3300	0.20	600
EWH0805-22N	22	250	G,J,K	55	500	2600	0.22	500
EWH0805-24N	24	250	G,J,K	50	500	2000	0.22	500
EWH0805-27N	27	250	G,J,K	55	500	2500	0.25	500
EWH0805-33N	33	250	G,J,K	60	500	2050	0.27	500
EWH0805-36N	36	250	G,J,K	55	500	1700	0.27	500
EWH0805-39N	39	250	G,J,K	60	500	2000	0.29	500
EWH0805-43N	43	200	G,J,K	60	500	1650	0.34	500
EWH0805-47N	47	200	G,J,K	60	500	1650	0.31	500
EWH0805-56N	56	200	G,J,K	60	500	1550	0.34	500
EWH0805-68N	68	200	G,J,K	60	500	1450	0.38	500
EWH0805-82N	82	150	G,J,K	65	500	1300	0.42	400
EWH0805-91N	91	150	G,J,K	65	500	1200	0.48	400
EWH0805-R10	100	150	G,J,K	65	500	1200	0.46	400
EWH0805-R11	110	150	G,J,K	50	250	1000	0.48	400
EWH0805-R12	120	150	G,J,K	50	250	1100	0.51	400
EWH0805-R15	150	100	G,J,K	50	250	920	0.56	400
EWH0805-R16	160	100	G,J,K	50	250	900	0.60	400
EWH0805-R18	180	100	G,J,K	50	250	870	0.64	400
EWH0805-R20	200	100	G,J,K	50	250	865	0.68	400
EWH0805-R22	220	100	G,J,K	50	250	850	0.70	400
EWH0805-R24	240	100	G,J,K	44	250	690	1.00	350
EWH0805-R25	250	100	G,J,K	48	250	680	1.00	350
EWH0805-R27	270	100	G,J,K	48	250	650	1.00	350
EWH0805-R33	330	100	G,J,K	48	250	600	1.40	310
EWH0805-R39	390	100	G,J,K	48	250	560	1.50	290
EWH0805-R47	470	50	G,J,K	30	100	375	1.76	250
EWH0805-R56	560	25	G,J,K	23	50	340	1.90	230
EWH0805-R62	620	25	G,J,K	23	50	220	2.20	210
EWH0805-R68	680	25	G,J,K	23	50	188	2.20	190
EWH0805-R82	820	25	G,J,K	23	50	215	2.35	180
EWH0805-1R0	1000	25	G,J,K	22	50	200	2.45	170



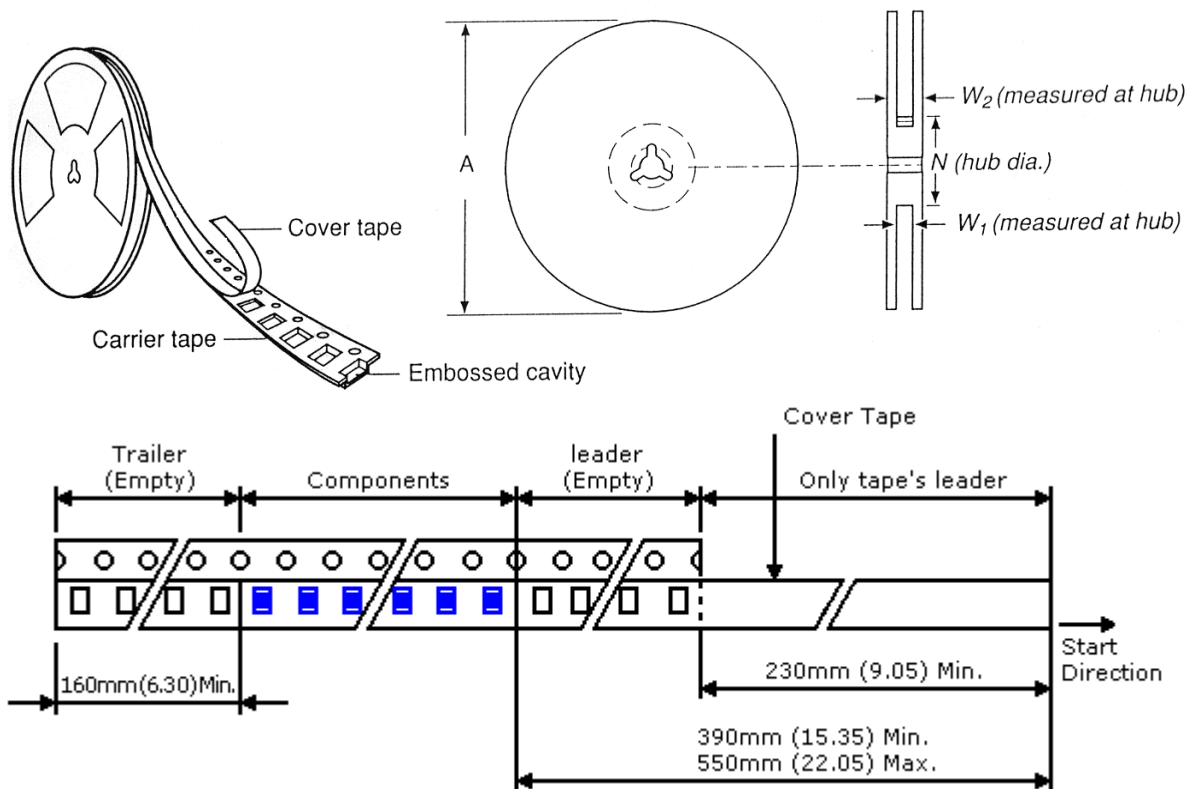
ECE —
The Name You Can Trust!

◆ **TYPE: EWH 1008**

Part No.	Inductance (nH)	Test Freq. (MHz)	Tolerance (±%)	Q (Min.)	Test Freq. (MHz)	SRF (MHz) Min.	DC Resistance (Ω)Max.	Rating Current (mA)Max.
EWH1008-10N	10	50	G,J,K	50	500	4100	0.08	1000
EWH1008-12N	12	50	G,J,K	50	500	3300	0.09	1000
EWH1008-15N	15	50	G,J,K	45	500	2500	0.10	1000
EWH1008-18N	18	50	G,J,K	50	350	2500	0.11	1000
EWH1008-22N	22	50	G,J,K	55	350	2400	0.12	1000
EWH1008-27N	27	50	G,J,K	55	350	1600	0.13	1000
EWH1008-33N	33	50	G,J,K	60	350	1600	0.14	1000
EWH1008-39N	39	50	G,J,K	60	350	1500	0.15	1000
EWH1008-47N	47	50	G,J,K	65	350	1500	0.16	1000
EWH1008-56N	56	50	G,J,K	65	350	1300	0.18	1000
EWH1008-68N	68	50	G,J,K	65	350	1300	0.20	1000
EWH1008-82N	82	50	G,J,K	60	350	1000	0.22	1000
EWH1008-R10	100	25	G,J,K	60	350	1000	0.56	650
EWH1008-R12	120	25	G,J,K	60	350	950	0.63	650
EWH1008-R15	150	25	G,J,K	45	100	850	0.70	580
EWH1008-R18	180	25	G,J,K	45	100	750	0.77	620
EWH1008-R22	220	25	G,J,K	45	100	700	0.84	500
EWH1008-R27	270	25	G,J,K	45	100	600	0.91	500
EWH1008-R33	330	25	G,J,K	45	100	570	1.05	450
EWH1008-R39	390	25	G,J,K	45	100	500	1.12	470
EWH1008-R47	470	25	G,J,K	45	100	450	1.19	470
EWH1008-R56	560	25	G,J,K	45	100	415	1.33	400
EWH1008-R62	620	25	G,J,K	45	100	375	1.40	300
EWH1008-R68	680	25	G,J,K	45	100	375	1.47	400
EWH1008-R75	750	25	G,J,K	45	100	360	1.54	360
EWH1008-R82	820	25	G,J,K	45	100	350	1.65	400
EWH1008-R91	910	25	G,J,K	35	50	320	1.68	380
EWH1008-1R0	1000	25	G,J,K	35	50	290	1.75	370
EWH1008-1R2	1200	7.9	G,J,K	35	50	250	2.00	310
EWH1008-1R5	1500	7.9	G,J,K	28	50	200	2.30	330
EWH1008-1R8	1800	7.9	G,J,K	28	50	160	2.60	300
EWH1008-2R2	2200	7.9	G,J,K	28	50	160	2.80	280
EWH1008-2R7	2700	7.9	G,J,K	22	25	135	3.20	290
EWH1008-3R3	3300	7.9	G,J,K	22	25	110	3.40	290
EWH1008-3R9	3900	7.9	G,J,K	20	25	100	3.60	260
EWH1008-4R7	4700	7.9	G,J,K	20	25	90	4.00	260
EWH1008-5R6	5600	7.9	G,J,K	18	7.9	40	4.00	240
EWH1008-6R8	6800	7.9	G,J,K	18	7.9	40	4.90	200
EWH1008-8R2	8200	7.9	G,J,K	18	7.9	25	6.10	170
EWH1008-100	10000	2.5	G,J,K	18	7.9	25	8.00	150

TAPE & REEL PACKAGING

■ Packaging - Cover Tape



Reel Dimensions		
Reel type	W=8mm	W=12mm
A	Φ178mm	Φ178mm
N	Φ50mm min.	Φ50mm min.
W_1	8.4+1.5mm	12.4+2.0mm
W_2	14.4mm max.	18.4mm max.

■ Packaging Quantity

Type	Reel/Tape
100505	10000
160808	4000
201209	4000
201212	3000
321611	3000
321616	2000

Type	Reel/Tape
EWL2520	2000
EWL3225	2000
EWL4532	500
EWH0603	4000
EWH0805	2000
EWH1008	2000