



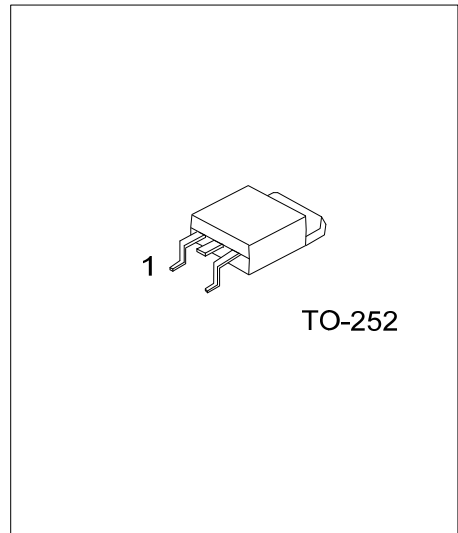
F2N60

Power MOSFET

2.0A, 600V N-CHANNEL POWER MOSFET

DESCRIPTION

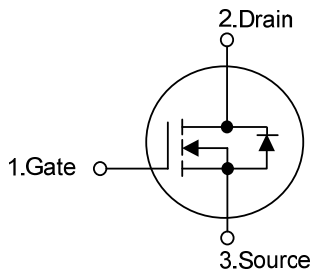
The UTC **F2N60** is a N-Channel enhancement mode silicon gate power MOSFET with Fast Body Diode, is designed high voltage, high speed power switching applications such, is designed to have better characteristics, such as fast switching time, low gate charge, low on-state resistance and have a high rugged avalanche characteristics. This power MOSFET is usually used at high speed switching applications in power supplies, PWM motor controls, high efficient AC to DC converters and bridge circuits.



FEATURES

- * $R_{DS(ON)} \leq 5.0 \Omega @ V_{GS}=10V, I_D=1.0A$
- * Fast body diode MOSFET technology
- * Ultra Low gate charge (typical 16nC)
- * Fast switching capability
- * Avalanche energy specified
- * Improved dv/dt capability, high ruggedness

SYMBOL



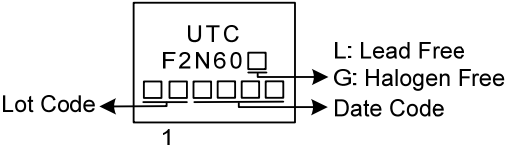
ORDERING INFORMATION

Ordering Number		Package	Pin Assignment			Packing
Lead Free	Halogen Free		1	2	3	
F2N60L-TN3-T	F2N60G-TN3-T	TO-252	G	D	S	Tube
F2N60L-TN3-R	F2N60G-TN3-R	TO-252	G	D	S	Tape Reel

Note: Pin Assignment: G: Gate D: Drain S: Source

<p>F2N60G-TN3-T</p> <p>(1)Packing Type (2)Package Type (3)Green Package</p>	<p>(1) R: Tape Reel (2) TN3: TO-252 (3) G: Halogen Free and Lead Free, L: Lead Free</p>
---	---

MARKING



■ ABSOLUTE MAXIMUM RATINGS ($T_C=25^{\circ}\text{C}$, unless otherwise specified)

PARAMETER	SYMBOL	RATINGS	UNIT
Drain-Source Voltage	V_{DSS}	600	V
Gate-Source Voltage	V_{GSS}	± 30	V
Avalanche Current (Note 2)	I_{AR}	2.0	A
Drain Current	Continuous	I_D	2.0
	Pulsed (Note 2)	I_{DM}	8.0
Avalanche Energy	Single Pulsed (Note 3)	E_{AS}	100
	Repetitive (Note 2)	E_{AR}	4.5
Peak Diode Recovery dv/dt (Note 4)	dv/dt	4.5	V/ns
Power Dissipation ($T_C = 25^{\circ}\text{C}$)	P_D	44	W
Junction Temperature	T_J	+150	$^{\circ}\text{C}$
Operating Temperature	T_{OPR}	-55 ~ +150	$^{\circ}\text{C}$
Storage Temperature	T_{STG}	-55 ~ +150	$^{\circ}\text{C}$

Notes: 1. Absolute maximum ratings are those values beyond which the device could be permanently damaged.

Absolute maximum ratings are stress ratings only and functional device operation is not implied.

2. Repetitive Rating : Pulse width limited by maximum junction temperature.

3. $L=64\text{mH}$, $I_{AS}=2.0\text{A}$, $V_{DD}=50\text{V}$, $R_G=25\ \Omega$, Starting $T_J = 25^{\circ}\text{C}$

4. $I_{SD}\leq 2.4\text{A}$, $di/dt\leq 200\text{A}/\mu\text{s}$, $V_{DD}\leq BV_{DSS}$, Starting $T_J = 25^{\circ}\text{C}$

■ THERMAL DATA

PARAMETER	SYMBOL	RATINGS	UNIT
Junction to Ambient	θ_{JA}	100	$^{\circ}\text{C}/\text{W}$
Junction to Case	θ_{JC}	2.87	$^{\circ}\text{C}/\text{W}$

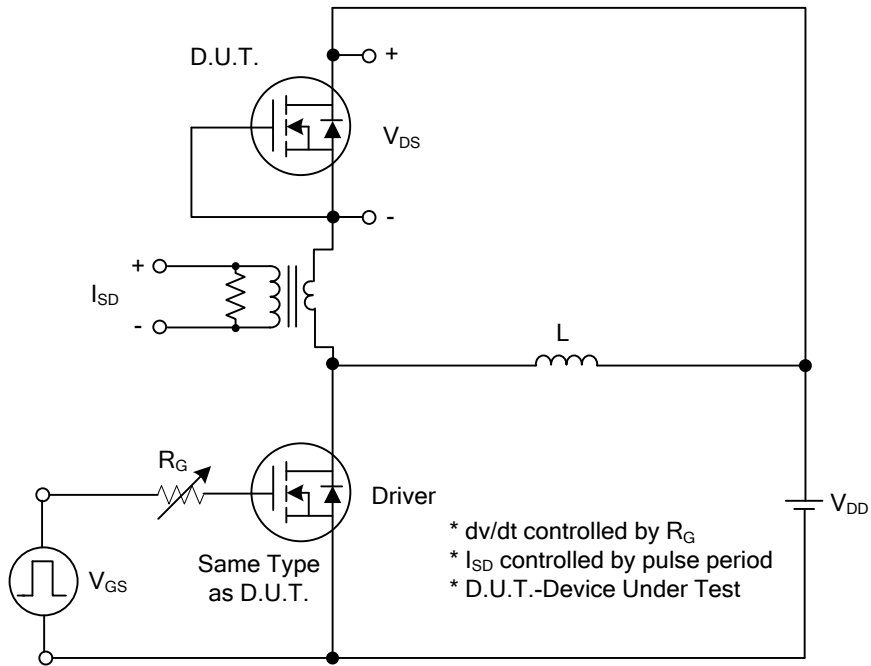
■ ELECTRICAL CHARACTERISTICS (T_J=25°C, unless otherwise specified)

PARAMETER	SYMBOL	TEST CONDITIONS	MIN	TYP	MAX	UNIT
OFF CHARACTERISTICS						
Drain-Source Breakdown Voltage	BV _{DSS}	V _{GS} = 0V, I _D = 250μA	600			V
Drain-Source Leakage Current	I _{DSS}	V _{DS} = 600V, V _{GS} = 0V			10	μA
Gate-Source Leakage Current	Forward	I _{GSS} V _{GS} = 30V, V _{DS} = 0V			100	nA
	Reverse		V _{GS} = -30V, V _{DS} = 0V			-100
Breakdown Voltage Temperature Coefficient	ΔBV _{DSS} /ΔT _J	I _D =250μA, Referenced to 25°C		0.4		V/°C
ON CHARACTERISTICS						
Gate Threshold Voltage	V _{GS(TH)}	V _{DS} = V _{GS} , I _D = 250μA	2.0		40	V
Static Drain-Source On-State Resistance	R _{DS(ON)}	V _{GS} = 10V, I _D = 1.0A		4.7	5.0	Ω
DYNAMIC CHARACTERISTICS						
Input Capacitance	C _{ISS}	V _{DS} = 25V, V _{GS} = 0V, f = 1MHz			350	pF
Output Capacitance	C _{OSS}				50	pF
Reverse Transfer Capacitance	C _{RSS}				7	pF
SWITCHING CHARACTERISTICS						
Total Gate Charge	Q _G	V _{DS} =480V, V _{GS} =10V, I _D =2.4A (Note 1, 2)		16	20	nC
Gate-Source Charge	Q _{GS}			3.8		nC
Gate-Drain Charge	Q _{GD}			4.6		nC
Turn-On Delay Time	t _{D(ON)}	V _{DD} = 300V, I _D = 2.4A, R _G = 25Ω (Note 1, 2)		35	40	ns
Turn-On Rise Time	t _R			50	60	ns
Turn-Off Delay Time	t _{D(OFF)}			85	100	ns
Turn-Off Fall Time	t _F			70	80	ns
DRAIN-SOURCE DIODE CHARACTERISTICS						
Maximum Continuous Drain-Source Diode Forward Current	I _S				2.0	A
Maximum Pulsed Drain-Source Diode Forward Current	I _{SM}				8.0	A
Drain-Source Diode Forward Voltage	V _{SD}	V _{GS} =0V, I _S =2.0A			1.4	V
Reverse Recovery Time	t _{rr}	V _{GS} =0V, I _S =2.4A, di/dt=100A/μs(Note1)	90	100	130	ns
Reverse Recovery Charge	Q _{rr}				0.72	

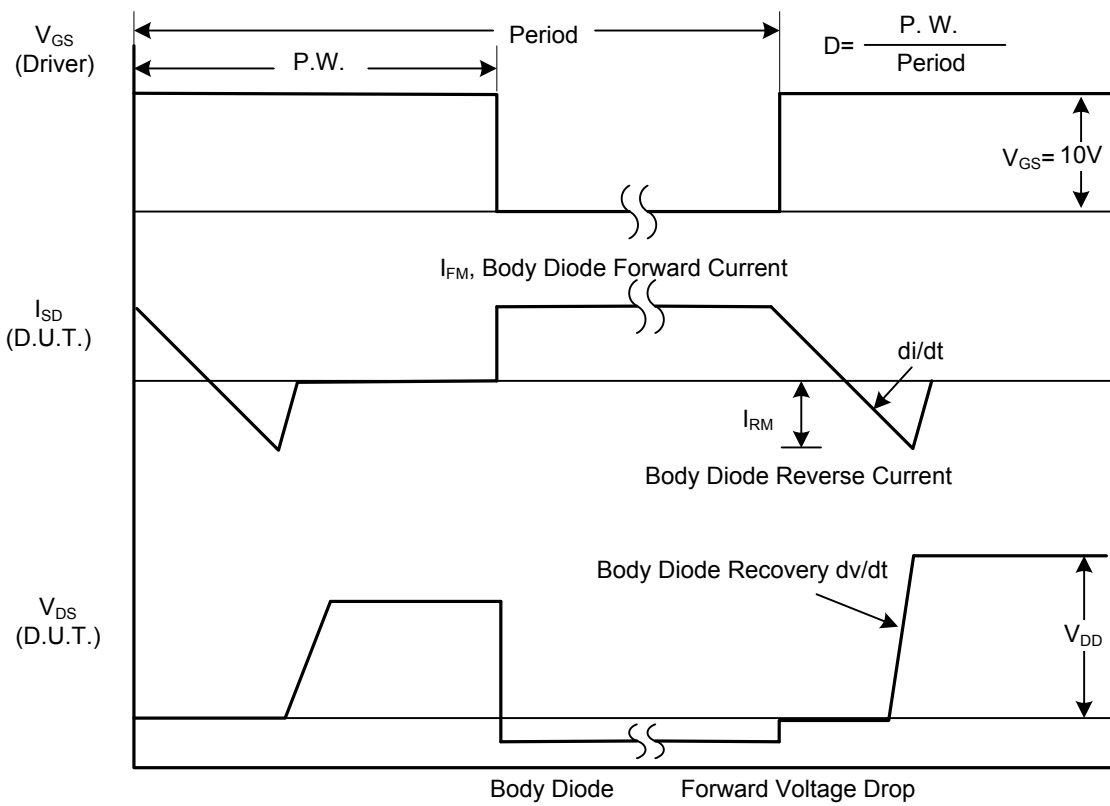
Notes: 1. Pulse Test : Pulse width ≤ 300μs, Duty cycle ≤ 2%.

2. Essentially independent of operating ambient temperature.

■ TEST CIRCUITS AND WAVEFORMS

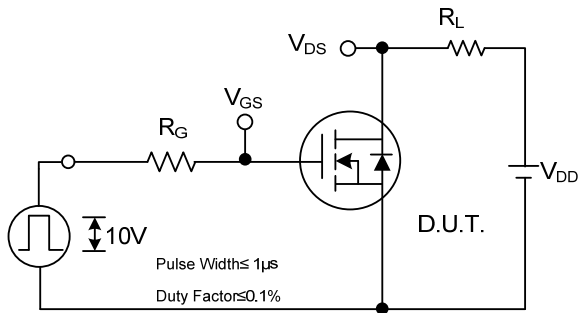


Peak Diode Recovery dv/dt Test Circuit

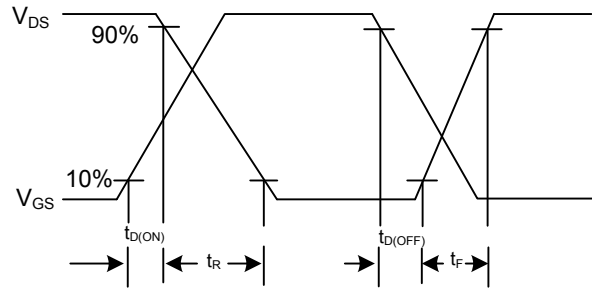


Peak Diode Recovery dv/dt Waveforms

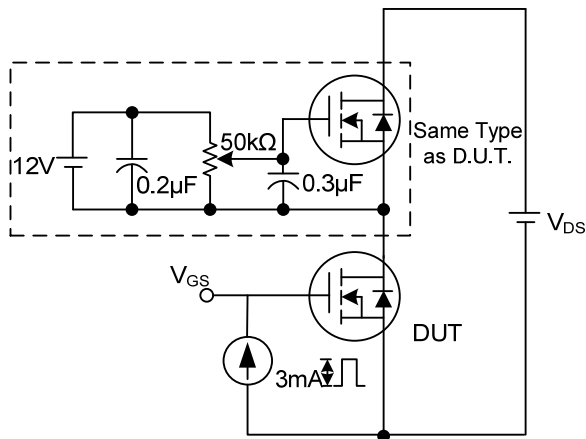
TEST CIRCUITS AND WAVEFORMS



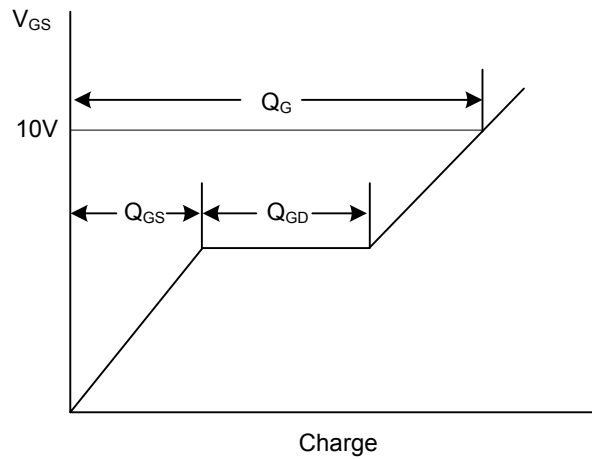
Switching Test Circuit



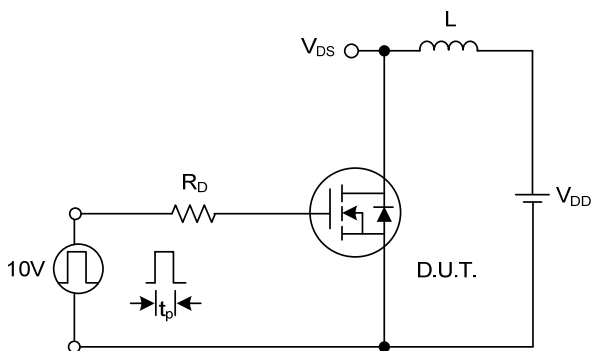
Switching Waveforms



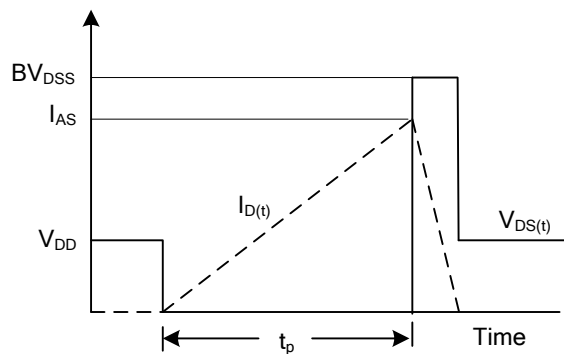
Gate Charge Test Circuit



Gate Charge Waveform

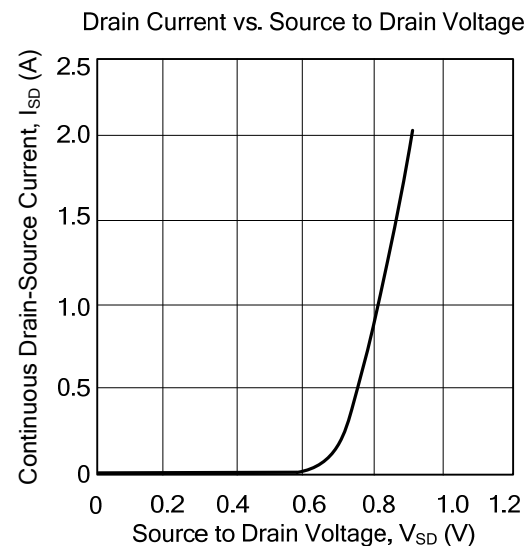
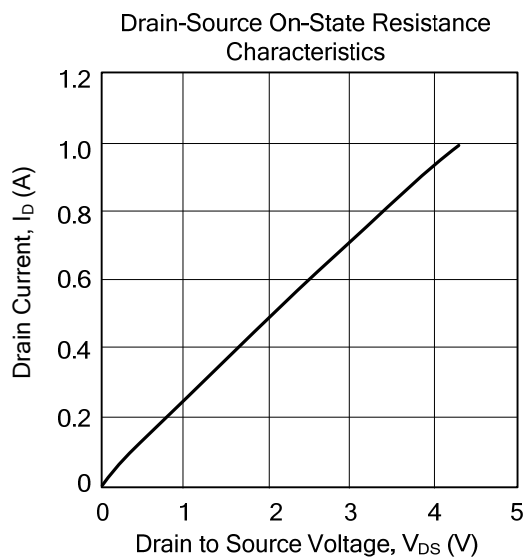
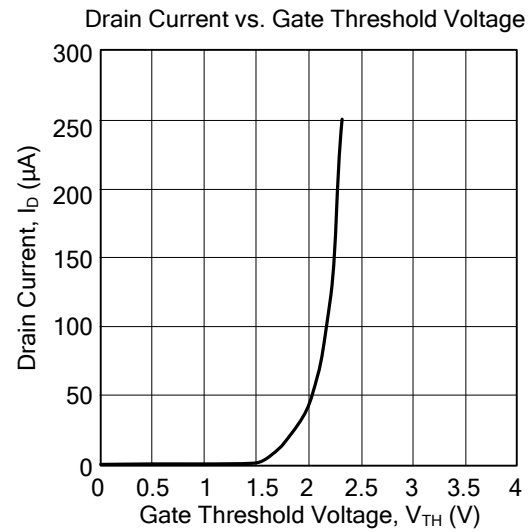
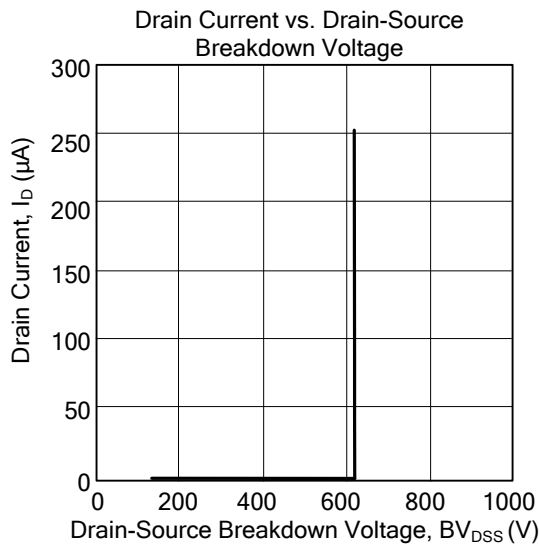


Unclamped Inductive Switching Test Circuit



Unclamped Inductive Switching Waveforms

■ TYPICAL CHARACTERISTICS



UTC assumes no responsibility for equipment failures that result from using products at values that exceed, even momentarily, rated values (such as maximum ratings, operating condition ranges, or other parameters) listed in products specifications of any and all UTC products described or contained herein. UTC products are not designed for use in life support appliances, devices or systems where malfunction of these products can be reasonably expected to result in personal injury. Reproduction in whole or in part is prohibited without the prior written consent of the copyright owner. UTC reserves the right to make changes to information published in this document, including without limitation specifications and product descriptions, at any time and without notice. This document supersedes and replaces all information supplied prior to the publication hereof.