



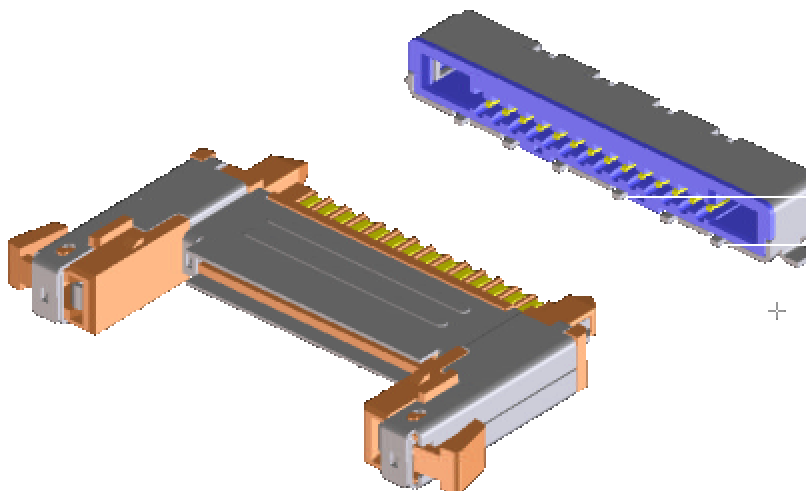
LVDS Transmission Connector

CONNECTOR

## FI-E Series

MB-0102-2

December 2003



### <<Outline>>

Along with digitalization trends, cases where LVDS (Low Voltage Differential Signaling) is used for internal wiring in consumer products such as TVs are increasing. JAE has developed a connector that combines both electrical considerations for LVDS transmission and mechanical considerations for TV interiors.

### Features

- Connector optimal for LVDS (Performance equal to FI-X connector series).
- Sufficient guide alignment and durability to permit blind mating.
- Mechanical lock available to prevent incomplete or inadequate mating.
- Low profile design with 3.2mm height when mounted.
- Crimp-style and solder-style available for harness-side. Crimp contact common to FI-X series.

### General Specifications

- |  |  |
|--|--|
| ■ No. of contacts : 14 pos., 30 pos.                 | ■ Rated current: AC,DC each 1A per 1pos.   |
| ■ Contact resistance: 40m ohm max.                   | ■ Rated voltage: AC,DC each 200V per 1pos. |
| ■ Withstanding voltage: AC500Vr.m.s<br>per minute    | ■ Insulation resistance: 100M ohm min.     |
| ■ Operating temperature: -40 Deg. C to<br>+80 Deg. C | ■ Pitch: 1mm                               |

Materials and Finishes
------------------------

## FI-E\*\*S (Board side)

Components	Materials and Finishes
Contact	Copper alloy/ Contact portion: Au Terminal portion: SnCu
Ground Plate	Copper alloy/ Tin plating
Insulator	Heat resistant plastic/ None
Shell	Stainless/ Tin plating

## FI-E\*\*C\* (Cable side, soldering type)

Components	Materials and Finishes
Contact	Copper alloy/ Contact portion: Au Terminal portion: SnCu
Base shell	Copper alloy/ Tin plating
Insulator	Heat resistant plastic/ None
Lock spring	Stainless/ None

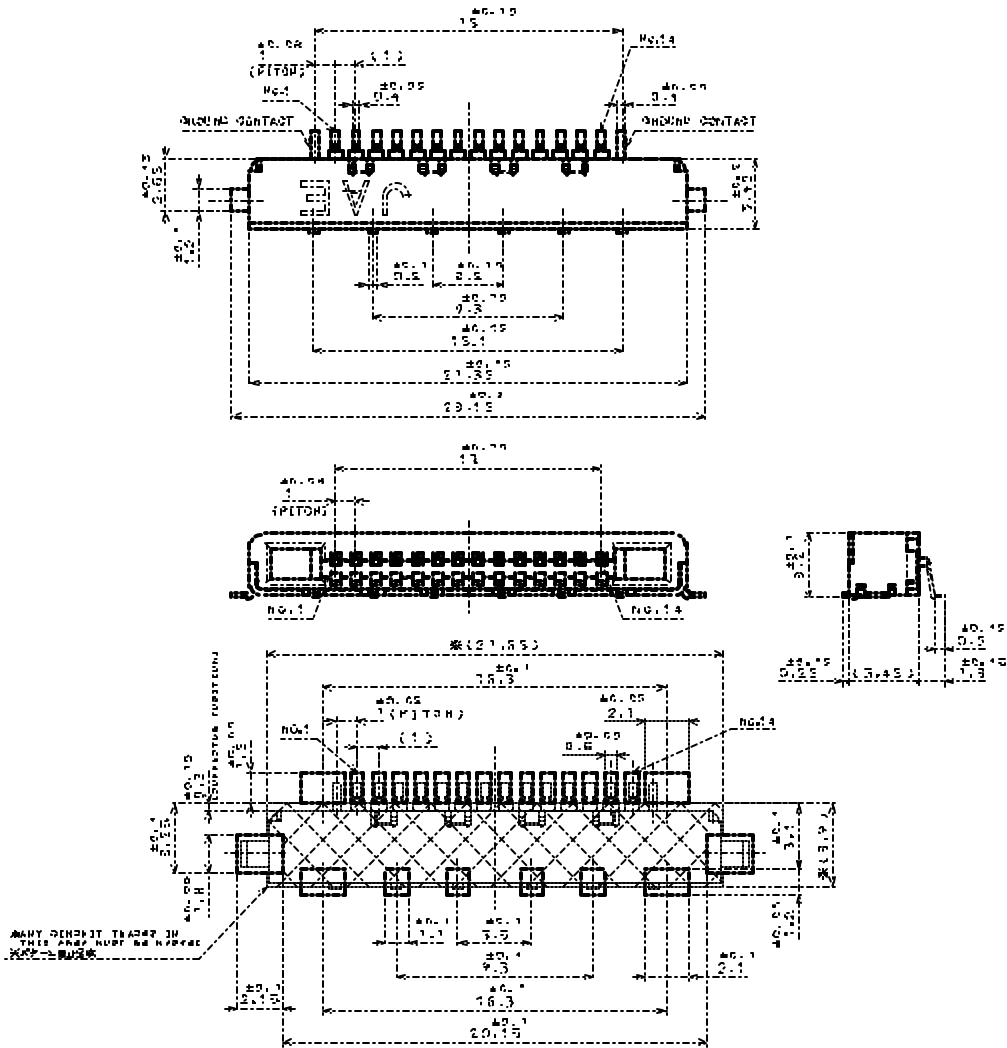
## FI-E\*\*H\* (Cable side, crimp housing type)

Components	Materials and Finishes
Housing	Heat resistant plastic/ None
Shell	Copper alloy/ Tin-plating

Ordering Information

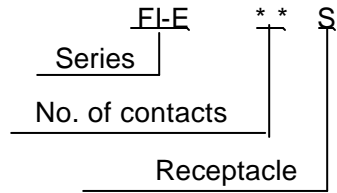
Series FI-E \*\* S  
 No. of contacts  
 Receptacle

Part Number	FI-E14S
SJ Drawing	SJ037690

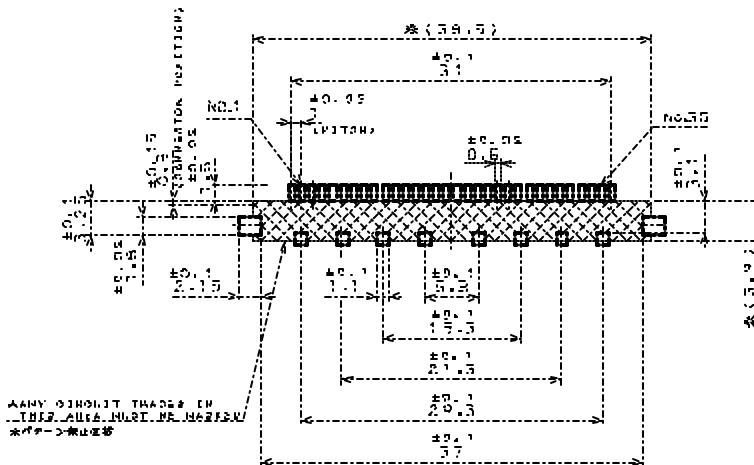
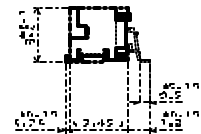
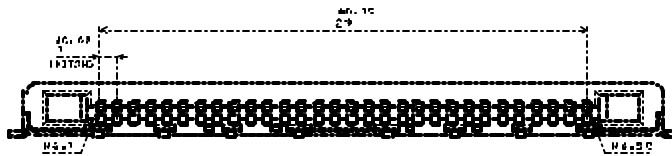
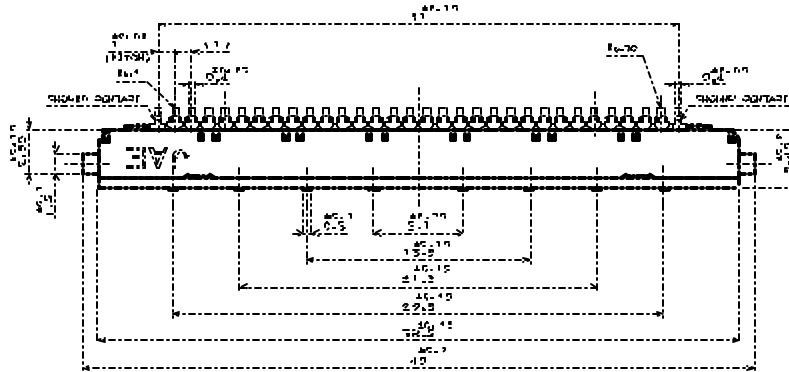


Applicable dimension of board  
 (for reference)

Ordering Information

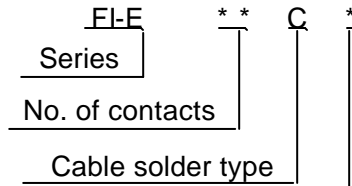


Part Number	FI-E30S
SJ Drawing	SJ038770



Applicable dimension of board  
(for reference)

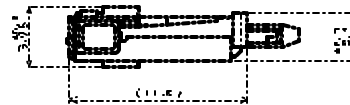
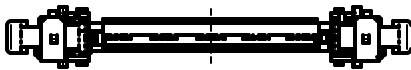
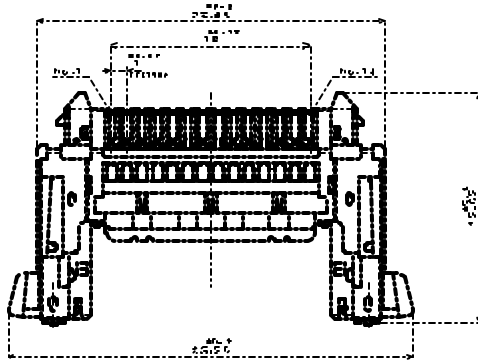
Ordering Information



Modification code (None: Coaxial type  
2: Discrete type)

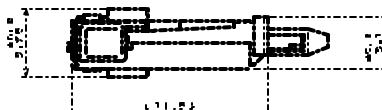
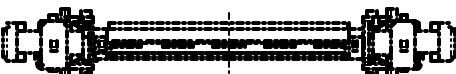
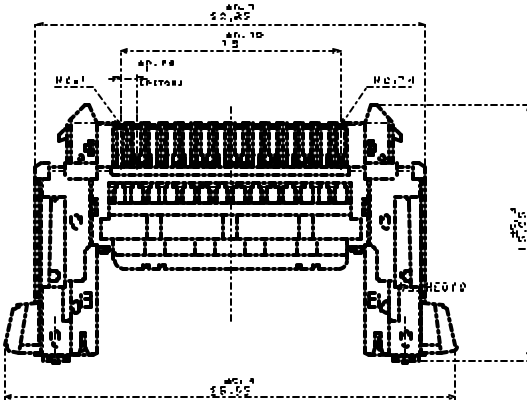
Part Number	FI-E14C
SJ Drawing	SJ038723

\* Connector is not sold individually.

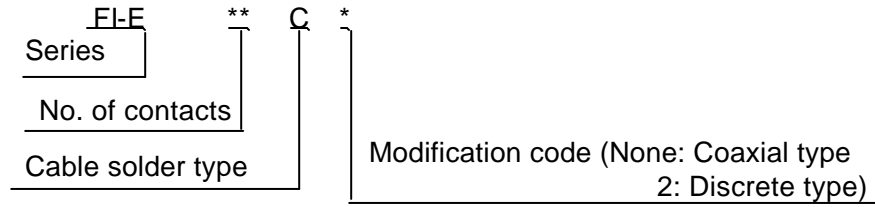


Part Number	FI-E14C2
SJ Drawing	SJ038724

\* Connector is not sold individually.

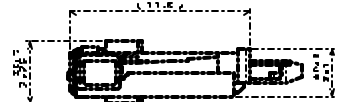
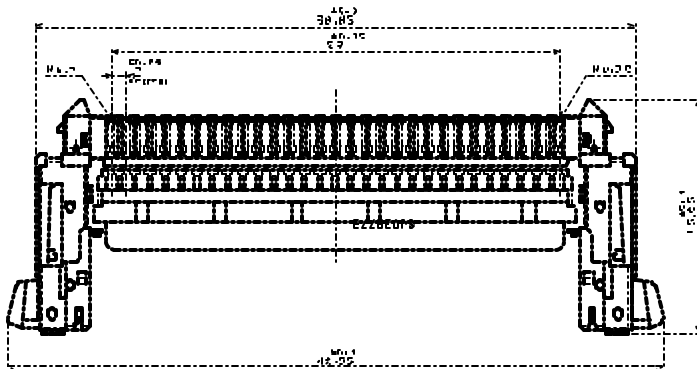


Ordering Information

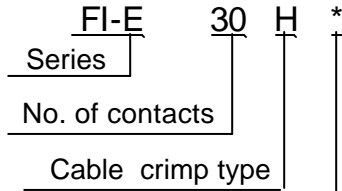


Part Number	FI-E30C2
SJ Drawing	SJ038773

\* Connector is not sold individually.

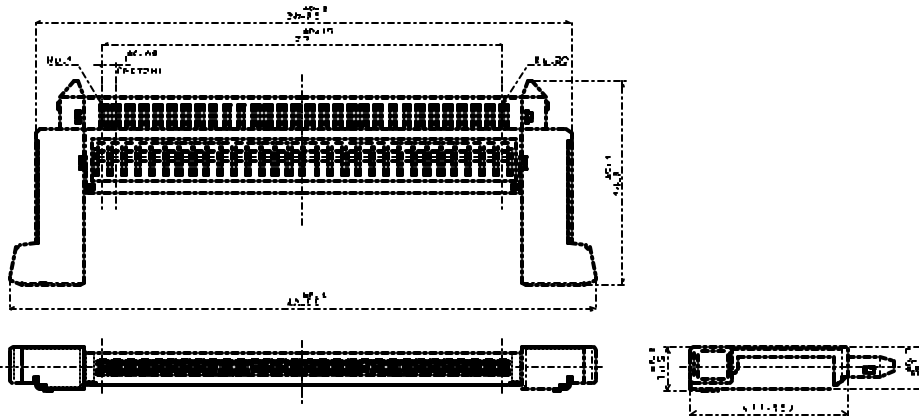


Ordering Information

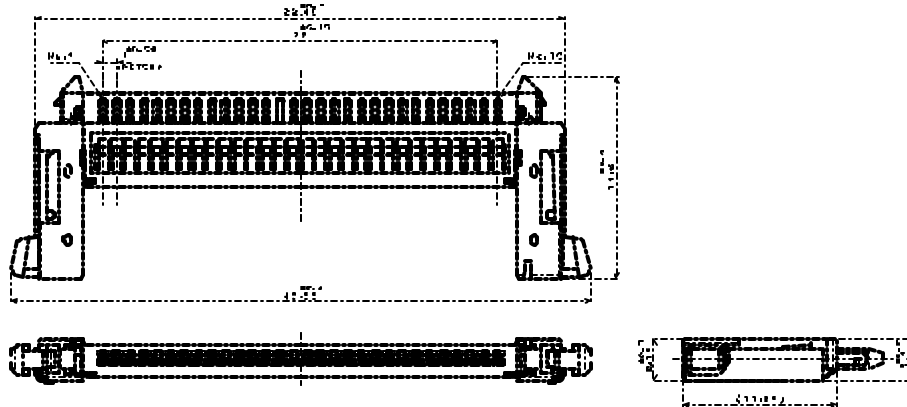


Modification code (None: without lock  
L: with lock)

Part Number	FI-E30H
SJ Drawing	SJ100120



Part Number	FI-E30HL
SJ Drawing	SJ100119



**Notice:** Products shown in this leaflet are made for the applications listed below. However, if the above-mentioned products are to be used in aerospace devices, marine cable-connection devices, atomic power control systems, medical equipment for life-support systems, or any other specific application requiring extremely high reliability, please contact JAE for further information.

Recommended applications: Computers, Office machines, Measuring devices, Telecommunication devices (Terminals, Mobile devices), AV devices, Household applications, FA devices, etc.

**Japan Aviation Electronics Industry, Limited**

Product Marketing Division  
 Aobadai Building, 3-1-19, Aobadai, Meguro-ku, Tokyo 153-8539  
 Phone: +81-3-3780-2787 FAX: +81-3-3780-2946

\* The specifications in this brochure are subject to change without notice. Please contact JAE for information.  
 JAE PMK Div. Proprietary. Copyright © 2003, Japan Aviation Electronics Industry, Ltd.