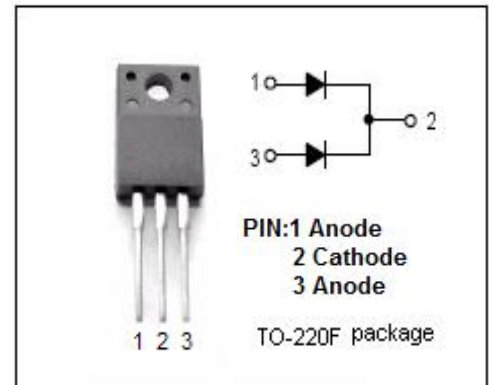


Ultrafast Rectifier
FMX-22S
FEATURES

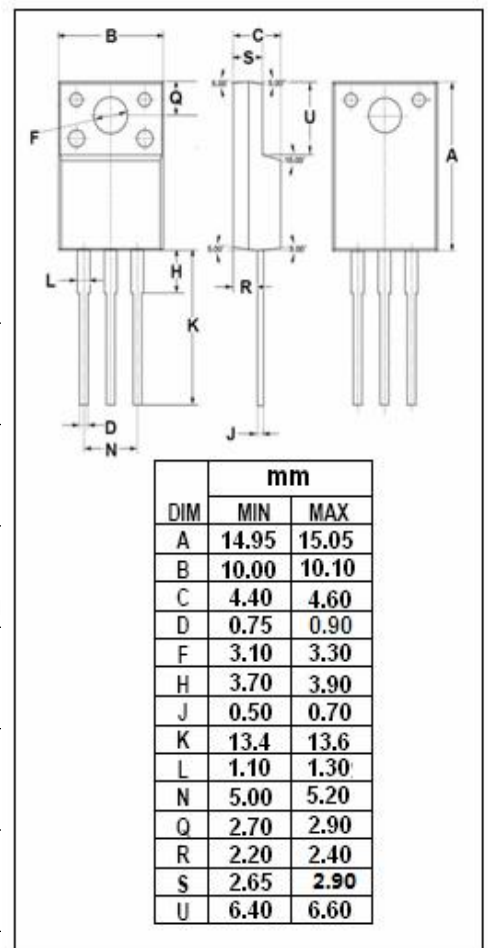
- Ultra-Fast Switching
- High current capability
- Low forward voltage drop
- Low power loss, high efficiency
- Minimum Lot-to-Lot variations for robust device performance and reliable operation

APPLICATIONS

- Dual center tap rectifier suited for switched mode power supplies and high frequency DC to DC converters


ABSOLUTE MAXIMUM RATINGS(T_a=25°C)

| SYMBOL | PARAMETER | VALUE | UNIT |
|--------------------|-----------------------------------|---------|------|
| V _{RRM} | Peak Repetitive Reverse Voltage | 200 | V |
| I _{F(AV)} | Average Rectified Forward Current | 10 | A |
| I _{FSM} | Nonrepetitive Peak Surge Current | 65 | A |
| T _J | Junction Temperature | -40~150 | °C |
| T _{stg} | Storage Temperature Range | -40~150 | °C |



Ultrafast Rectifier**FMX-22S****THERMAL CHARACTERISTICS**

| SYMBOL | PARAMETER | MAX | UNIT |
|---------------|--------------------------------------|-----|---------------|
| $R_{th\ j-c}$ | Thermal Resistance, Junction to Case | 4.0 | $^{\circ}C/W$ |

ELECTRICAL CHARACTERISTICS($T_a=25^{\circ}C$) (Pulse Test: Pulse Width=300 μ s, Duty Cycle \leq 2%)

| SYMBOL | PARAMETER | CONDITIONS | MAX | UNIT |
|----------|---------------------------------------|-------------------------|------|---------|
| V_F | Maximum Instantaneous Forward Voltage | $I_F=5A$ | 0.98 | V |
| I_R | Maximum Instantaneous Reverse Current | $V_R=V_{RRM}$ | 100 | μ A |
| t_{rr} | Maximum Reverse Recovery Time | $I_F=0.1A; I_{RP}=0.1A$ | 30 | ns |