

TOSHIBA FAST RECOVERY DIODE SILICON DIFFUSED TYPE

TFR3N, TFR3T

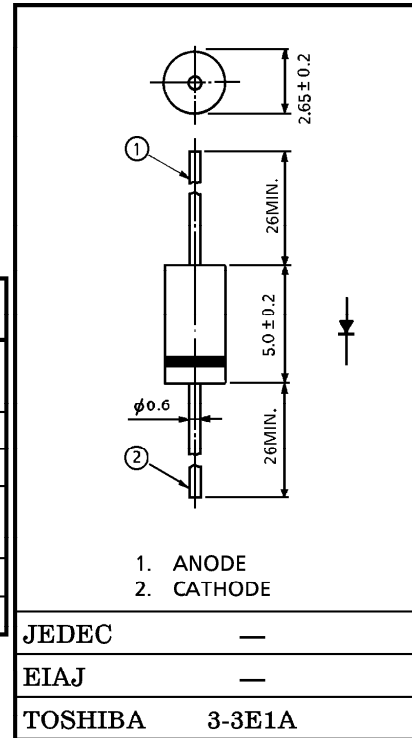
STROBO FLASHER APPLICATIONS (FAST RECOVERY)

Unit in mm

- Average Forward Current : $I_F (AV) = 0.2A$
- Repetitive Peak Reverse Voltage : $V_{RRM} = 1000, 1500V$
- Reverse Recovery Time : $t_{rr} = 1.5\mu s$

MAXIMUM RATINGS ($T_a = 25^\circ C$)

CHARACTERISTIC	SYMBOL	RATING	UNIT
Repetitive Peak Reverse Voltage	TFR3N	1000	V
	TFR3T	1500	
Average Forward Current	$I_F (AV)$	0.2	A
I^2t Limit Value ($t = 1 \sim 10ms$)	I^2t	0.5	A^2s
Peak One Cycle Surge Forward Current (Non Repetitive)	I_{FSM}	10 (50Hz)	A
		11 (60Hz)	
Junction Temperature	T_j	-40~125	$^\circ C$
Storage Temperature Range	T_{stg}	-40~125	$^\circ C$

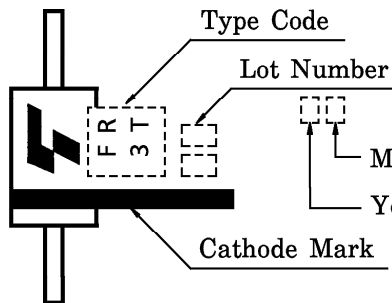


ELECTRICAL CHARACTERISTICS ($T_a = 25^\circ C$)

Weight : 0.225g

CHARACTERISTIC	SYMBOL	TEST CONDITION	MIN.	TYP.	MAX.	UNIT
Peak Forward Voltage	V_{FM}	$I_{FM} = 0.1A$	—	—	1.5	V
Repetitive Peak Reverse Current	I_{RRM}	$V_{RRM} = \text{Rated}$	—	—	5	μA
Reverse Recovery Time	t_{rr}	$I_F = 10mA, I_R = 10mA$	—	—	1.5	μs

MARKING

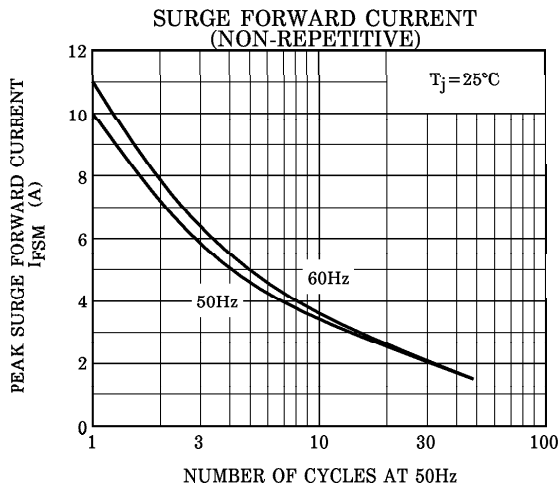
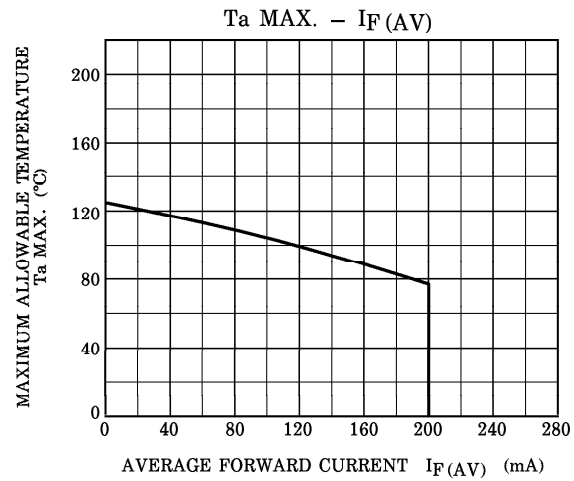
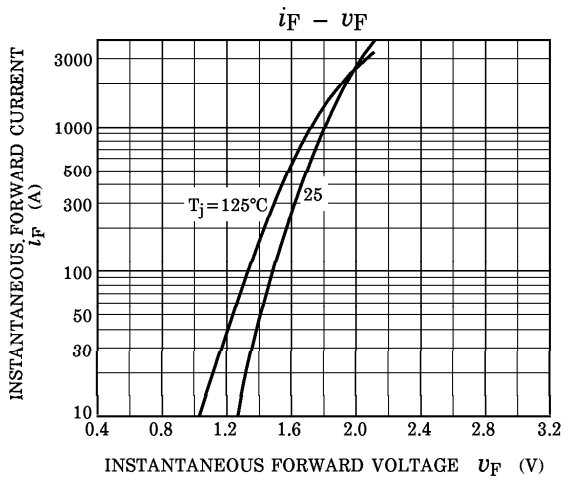


Color : Yellow

CODE	TYPE
FR3N	TFR3N
FR3T	TFR3T

961001EAA2

● TOSHIBA is continually working to improve the quality and the reliability of its products. Nevertheless, semiconductor devices in general can malfunction or fail due to their inherent electrical sensitivity and vulnerability to physical stress. It is the responsibility of the buyer, when utilizing TOSHIBA products, to observe standards of safety, and to avoid situations in which a malfunction or failure of a TOSHIBA product could cause loss of human life, bodily injury or damage to property. In developing your designs, please ensure that TOSHIBA products are used within specified operating ranges as set forth in the most recent products specifications. Also, please keep in mind the precautions and conditions set forth in the TOSHIBA Semiconductor Reliability Handbook.



961001EAA2'

● The information contained herein is presented only as a guide for the applications of our products. No responsibility is assumed by TOSHIBA CORPORATION for any infringements of intellectual property or other rights of the third parties which may result from its use. No license is granted by implication or otherwise under any intellectual property or other rights of TOSHIBA CORPORATION or others.

● The information contained herein is subject to change without notice.