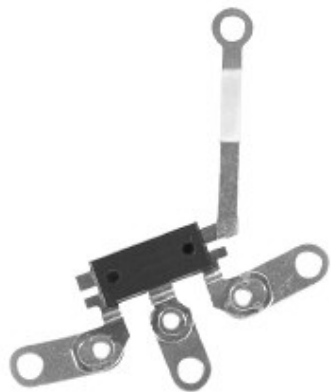
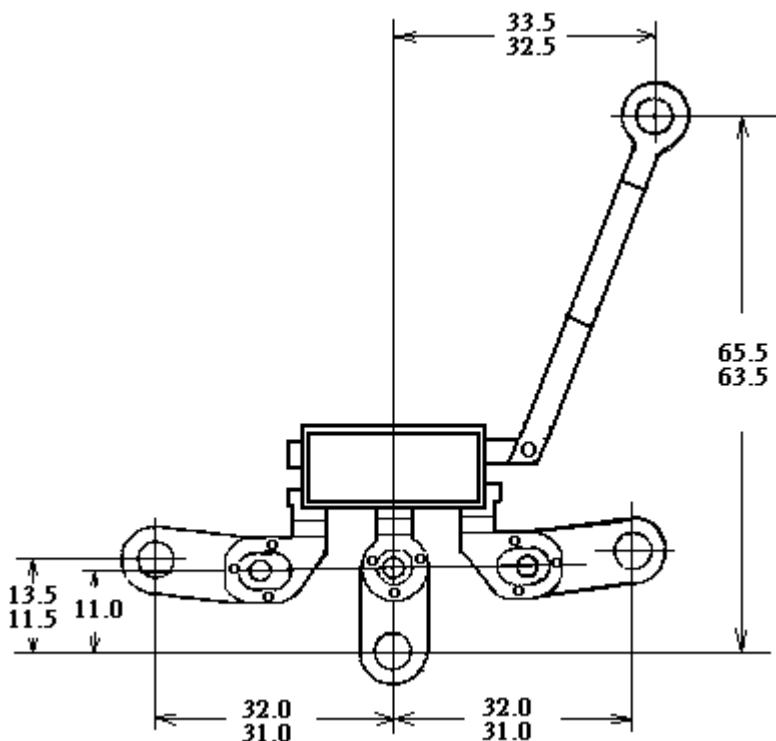


**Description**



**33-109**

**Mechanical Dimensions**



Dimensions in inches and (millimeters)

**MAXIMUM RATINGS AND ELECTRICAL CHARACTERISTICS**

| Rating at 25°C ambient temperature unless otherwise specified.                             |                  |               |      |
|--|------------------|---------------|------|
|  | SYMBOL           | DT182         | UNIT |
| Repetitive Peak Reverse Voltage  | V <sub>RRM</sub> | 200           | V    |
| Maximum Average Forward Rectified Current @ T <sub>c</sub> = 60°C                          | I <sub>O</sub>   | 7.5           | A    |
| Peak Forward Surge Current, 8.3mS single half sine-wave superimposed on rated load (JEDEC) | I <sub>FSM</sub> | 150           | A    |
| Maximum Forward Voltage At 5A @ T <sub>A</sub> =25°C                                       | V <sub>F</sub>   | 1.05          | V    |
| Maximum DC Reverse Current at Peak Reverse Voltage @ T <sub>c</sub> = 25°C                 | I <sub>R</sub>   | 5.0           | μA   |
| Maximum DC Reverse Current at Peak Reverse Voltage @ T <sub>c</sub> = 100°C                | I <sub>R</sub>   | 500.0         | μA   |
| Operating Temperature Range  | T <sub>J</sub>   | - 40 to + 155 | °C   |
| Storage Temperature Range  | T <sub>STG</sub> | - 40 to + 155 | °C   |