

## G2113

### CMOS Positive Voltage Regulator

#### Description

The G2113 series of positive, linear regulators feature low quiescent current (30µA typ.) with low dropout voltage, making them ideal for battery applications.

These rugged devices have both Thermal Shutdown, and Current Fold-back to prevent device failure under the "Worst" of operating conditions.

The G2113 is stable with an output capacitance of 2.2µF or greater.

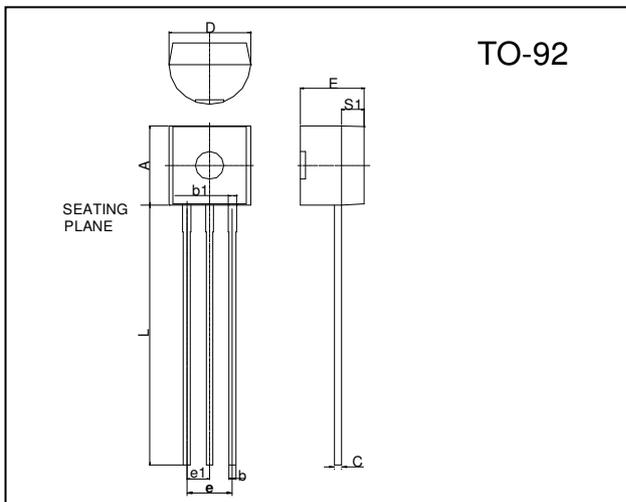
#### Features

- Very Low Dropout Voltage
- Guaranteed 300mA output
- Over-Temperature Shutdown
- Current Limiting
- Short Circuit Current Fold-back
- Factory Pre-set Output Voltage
- Highly Accurate ± 1.5%
- Low Temperature Coefficient

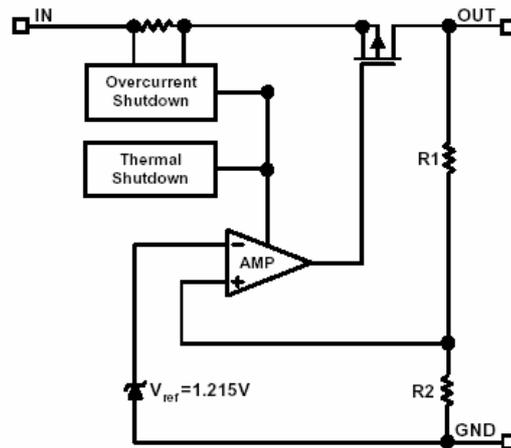
#### Applications

- Battery Powered Widgets
- Instrumentation
- Wireless Devices
- Cordless Phones
- PC Peripherals
- Portable Electronics
- Electronic Scales

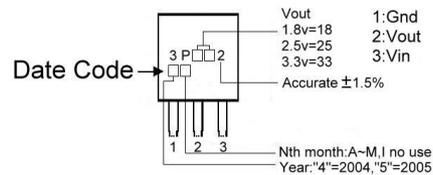
#### Package Dimensions



#### Block Diagram

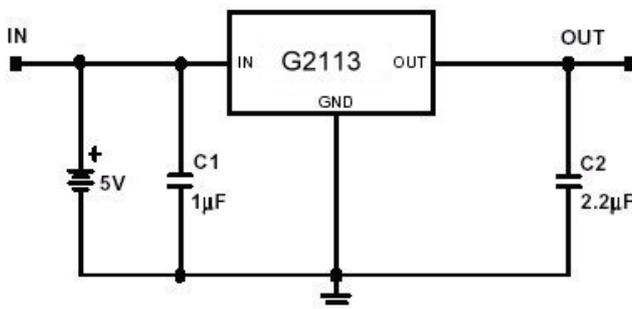


#### Marking :



REF.	Millimeter		REF.	Millimeter	
	Min.	Max.		Min.	Max.
A	4.45	4.7	D	4.44	4.7
S1	1.02	-	E	3.30	3.81
b	0.36	0.51	L	12.70	-
b1	0.36	0.76	e1	1.150	1.390
C	0.36	0.51	e	2.42	2.66

#### Typical Application Circuit



**Absolute Maximum Ratings**

Parameter	Symbol	Ratings	Unit
Input Voltage	V <sub>IN</sub>	8	V
Output Current	I <sub>OUT</sub>	PD/(V <sub>IN</sub> -V <sub>O</sub> )	mA
Output Voltage	V <sub>OUT</sub>	1.3~3.8	V
Operating Ambient Temperature	T <sub>opr</sub>	-40 ~ +85	°C
Junction Temperature	T <sub>j</sub>	-40 ~ +125	°C
Maximum Junction Temperature	T <sub>j Max</sub>	150	°C
Thermal Resistance	θ <sub>jc</sub>	80	°C/W
	θ <sub>ja</sub>	180	°C/W
Power Dissipation(ΔT=100°C)	PD	625	mW
EDS Classification		B	

**Electrical Characteristics Ta=25°C**

Parameter	Symbol	Condition	Min	TYP	Max	Unit	
Output Voltage	V <sub>OUT(E)</sub> (Note1)	V <sub>IN</sub> =V <sub>OUT(T)</sub> +1V, I <sub>O</sub> =1mA	-1.5%	V <sub>OUT(T)</sub> (Note2)	1.5%	V	
Output Current	I <sub>O</sub>	V <sub>IN</sub> =V <sub>OUT(T)</sub> +2V, V <sub>OUT</sub> ≥V <sub>OUT(E)</sub> *0.96	300	-	-	mA	
Current Limit	I <sub>LIM</sub>	V <sub>O</sub> >1.2V	300	450	-	mA	
Load Regulation	REG <sub>LOAD</sub>	V <sub>IN</sub> =V <sub>OUT(T)</sub> +2V, I <sub>O</sub> =1mA to 300mA	-1	0.2	1	%	
Dropout Voltage	V <sub>DROPOUT</sub>	I <sub>O</sub> =300mA V <sub>O</sub> =V <sub>OUT(E)</sub> -2%	1.3V≤V <sub>OUT(T)</sub> ≤2.0V	-	-	1300	mV
		2.0V<V <sub>OUT(T)</sub> ≤2.8V	-	-	400		
		2.8V<V <sub>OUT(T)</sub>	-	-	300		
Quiescent Current	I <sub>Q</sub>	V <sub>IN</sub> =V <sub>OUT(T)</sub> +1V	-	30	50	μA	
Line Regulation	REG <sub>LINE</sub>	I <sub>O</sub> =1mA V <sub>IN</sub> =V <sub>OUT(T)</sub> +1 to V <sub>OUT(T)</sub> +2	1.3V≤V <sub>OUT(T)</sub> ≤1.4V	-0.2	-	0.2	%
			1.4V<V <sub>OUT(T)</sub> ≤2.0V	-0.15	-	0.15	
			2.0V<V <sub>OUT(T)</sub> <4.0V	-0.1	0.02	0.1	
			4.0V≤V <sub>OUT(T)</sub>	-0.4	0.2	0.4	
Input Voltage	V <sub>IN</sub>		Note3	-	7	V	
Over Temperature Shutdown	OTS		-	150	-	°C	
Over Temperature Hysteresis	OTH		-	30	-	°C	
Output Voltage Temperature Coefficient	TC		-	30	-	ppm/°C	
Short Circuit Current(Note4)	I <sub>SC</sub>	V <sub>IN</sub> =V <sub>OUT(T)</sub> +1V V <sub>OUT</sub> =0V	-	150	300	mA	
Power Supply Rejection	PSRR	I <sub>O</sub> =100mA C <sub>O</sub> =2.2μF	f=1kHz	-	50	-	dB
			f=10kHz	-	20	-	
			f=100kHz	-	15	-	
Output Voltage Noise	e <sub>N</sub>	f=10Hz~100kHz I <sub>O</sub> =10mA				μVrms	

Note 1: V<sub>OUT(E)</sub> =Effective Output Voltage (i.e. the output voltage when "V<sub>OUT(T)</sub> +1.0V" is provided at the V<sub>IN</sub> pin while maintaining a certain I<sub>OUT</sub> value).

2: V<sub>OUT(T)</sub> =Specified Output Voltage

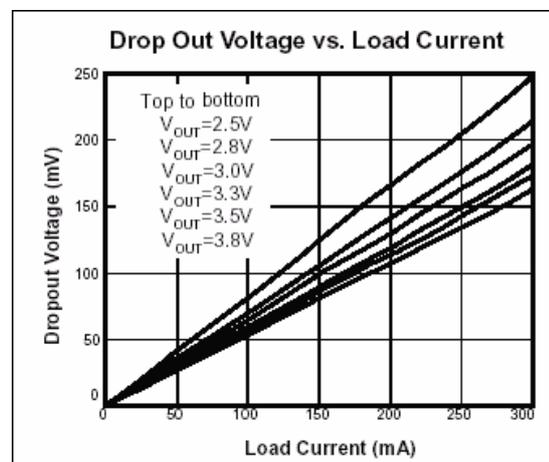
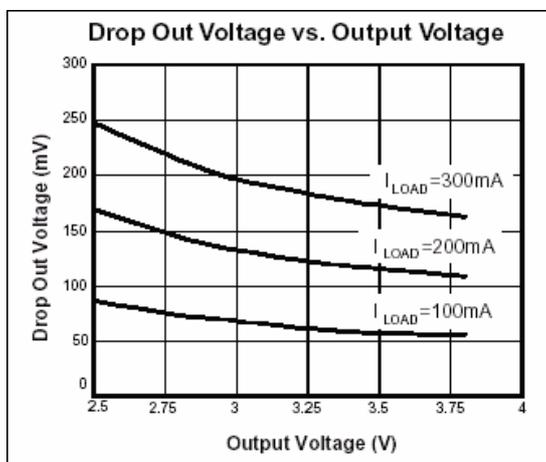
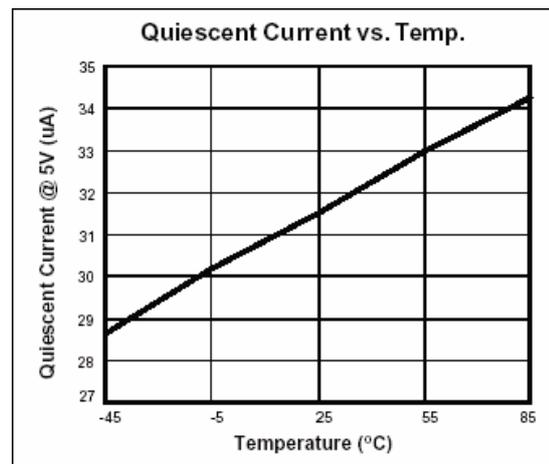
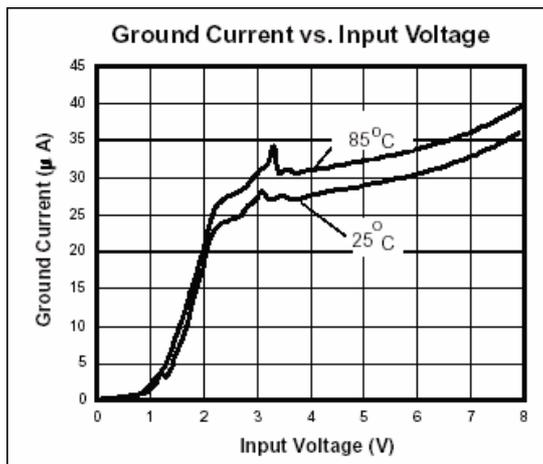
3: V<sub>IN(MIN)</sub> =V<sub>OUT</sub>+V<sub>DROPOUT</sub>

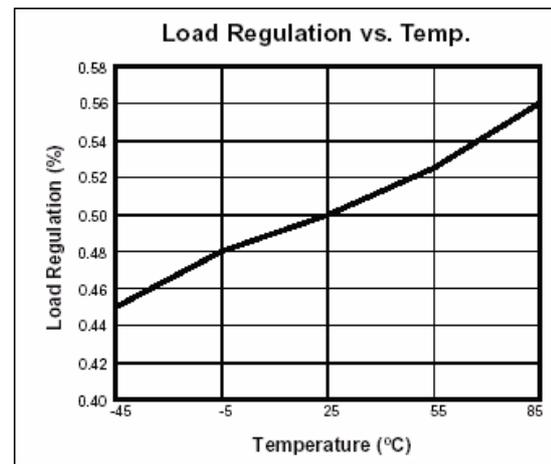
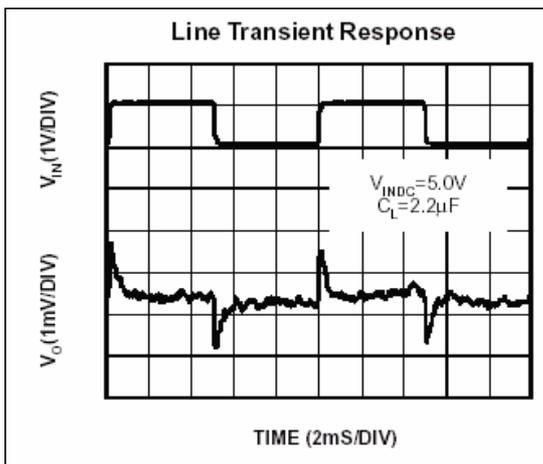
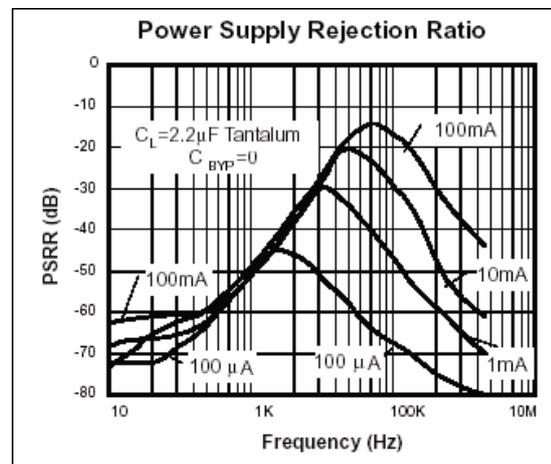
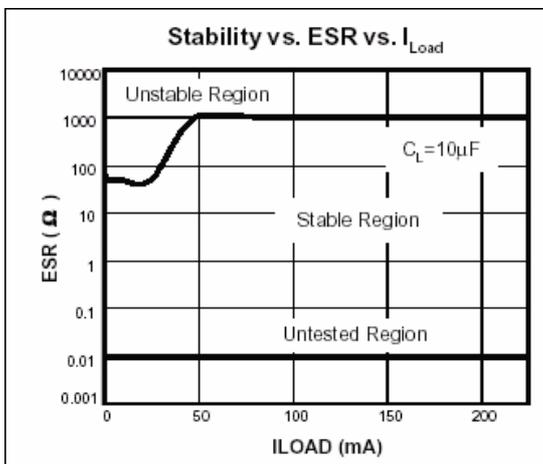
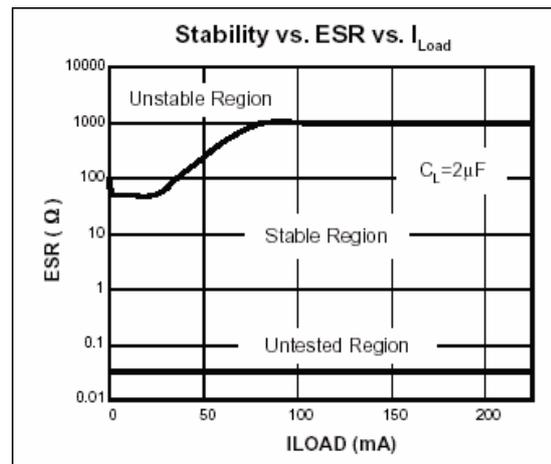
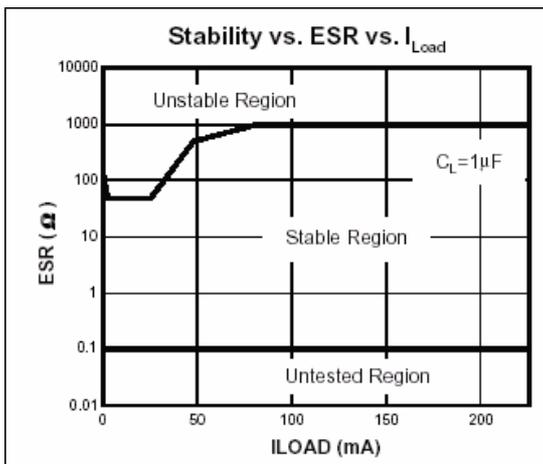
4: To prevent the Short Circuit Current protection feature from being prematurely activated, the input voltage must be applied before a current source load is applied.

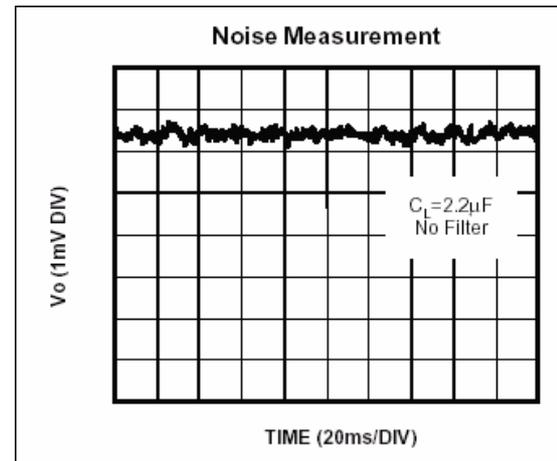
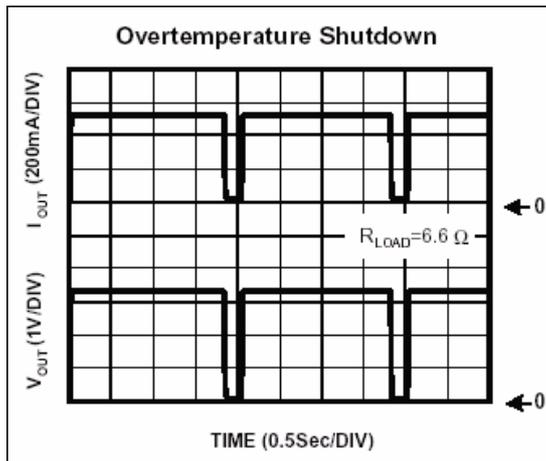
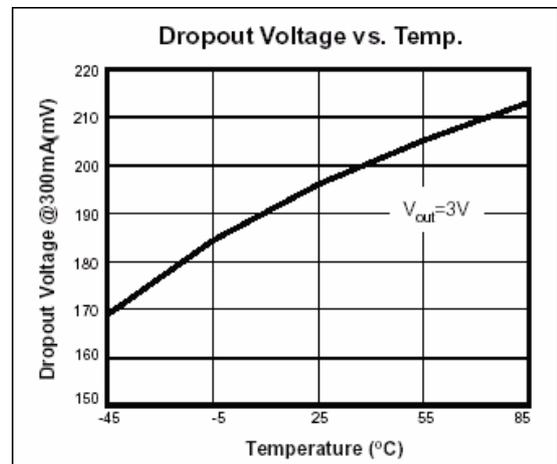
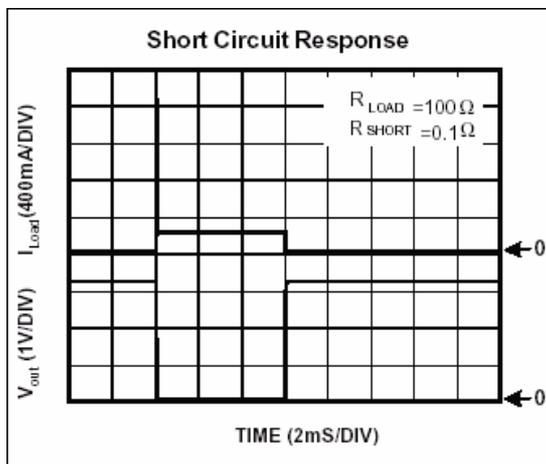
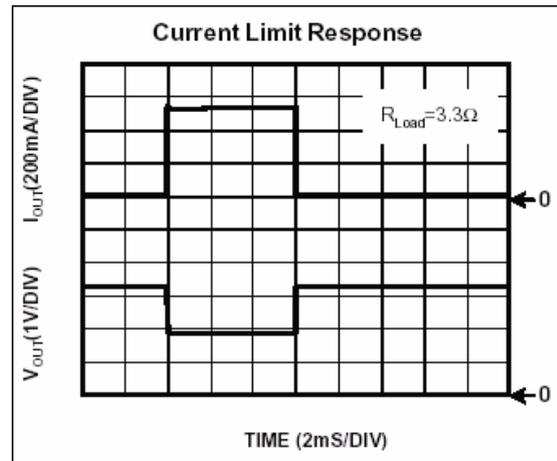
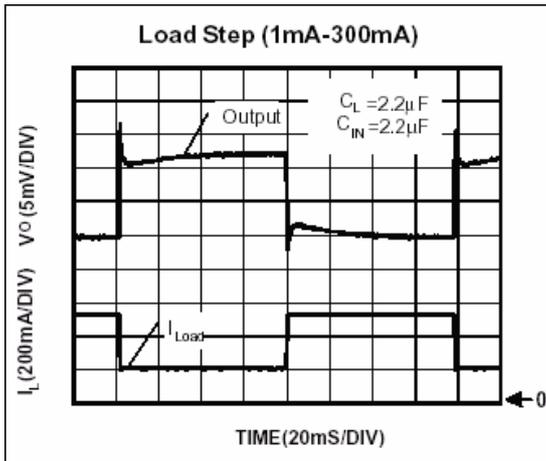
## Ordering Information ( contd.)

Part Number	Marking	Output Voltage	Part Number	Marking	Output Voltage
G2113-15	3P152 XX	1.5V	G2113-18	3P182 XX	1.8V
G2113-25	3P252 XX	2.5V	G2113-27	3P272 XX	2.7V
G2113-2H	3P2H2 XX	2.85V	G2113-28	3P282 XX	2.8V
G2113-29	3P292 XX	2.9V	G2113-30	3P302 XX	3.0V
G2113-31	3P312 XX	3.1V	G2113-33	3P332 XX	3.3V
G2113-34	3P342 XX	3.4V	G2113-35	3P352 XX	3.5V
G2113-36	3P362 XX	3.6V	G2113-37	3P372 XX	3.7V
G2113-38	3P382 XX	3.8V			

## Characteristics Curve







**Important Notice:**

- All rights are reserved. Reproduction in whole or in part is prohibited without the prior written approval of GTM.
- GTM reserves the right to make changes to its products without notice.
- GTM semiconductor products are not warranted to be suitable for use in life-support Applications, or systems.
- GTM assumes no liability for any consequence of customer product design, infringement of patents, or application assistance.

**Head Office And Factory:**

- Taiwan: No. 17-1 Tatung Rd. Fu Kou Hsin-Chu Industrial Park, Hsin-Chu, Taiwan, R. O. C.
- TEL : 886-3-597-7061 FAX : 886-3-597-9220, 597-0785
- China: (201203) No.255, Jang-Jiang Tsai-Lueng RD. , Pu-Dung-Hsin District, Shang-Hai City, China
- TEL : 86-21-5895-7671 ~ 4 FAX : 86-21-38950165