

High Accuracy Digital Temperature Sensor and Thermal Watchdog with Two-Wire Interface

Features

- SMBus interface
- Hardware Power-on Setting & Programmable over temperature limit
- Separate open-drain output pin operates as interrupt or comparator at output
- Register readback capability
- Power up defaults permit stand-alone operation as thermostat
- Shutdown mode to minimize power consumption

Key Specifications

- Supply Voltage 3.0V to 3.6V
- Supply Current

operating	110μA (typ)
	130μA (max)
shutdown	1μA (max)
- Temperature Accuracy

-10°C to 80°C	±1°C (max)
-55°C to 125°C	±3°C (max)

General Description

The G753 is a temperature sensor, analog-to-digital converter, and digital over-temperature detector with SMBus interface. The host can query the G753 at any time to read temperature. The open-drain ALERT# output becomes active when the temperature exceeds a programmable limit which initiated by hardware power-on setting. This pin can operate in either "Comparator" or "Interrupt" mode.

Applications

- System Thermal Management
- Personal Computers
- Office Electronics
- Electronic Test Equipment

Ordering Information

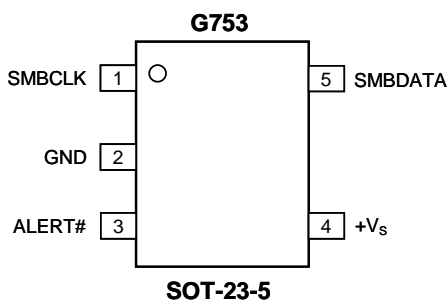
ORDER NUMBER	MARKING	PACKAGE (Green)
G753T11U	753xx	SOT-23-5

Note: T1: SOT-23-5

1 : Bonding Code

U: Tape & Reel

Pin Configuration



Typical Application Circuit

