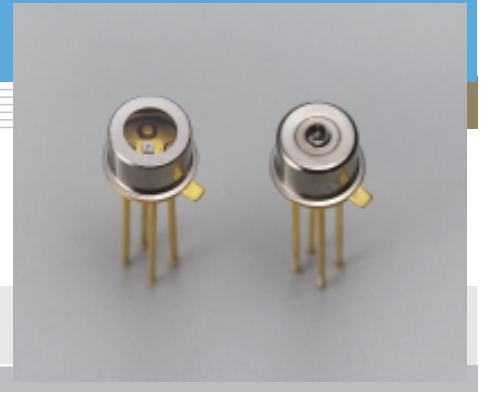


InGaAs PIN photodiode with preamp G8338/G8341/G7871/G8795 series

TO-18 package, 1.3/1.55 μm , 156, 622 Mbps/1.25, 2.5 Gbps



G8338/G8341/G7871/G8795 series are high-speed receivers specifically developed for 1.3/1.55 μm band optical fiber communications. These devices incorporate a high-speed, high-sensitivity InGaAs PIN photodiode integrated with a high-speed preamp, allowing easy connection to a latter-stage circuit. Lens window types are also available for efficient and easy coupling to an optical fiber.

Features

- Wide dynamic range
G8338 series (156 Mbps) : -37 to -5 dBm
G8341 series (622 Mbps) : -32 to -5 dBm
G7871 series (1.25 Gbps) : -25 to -1 dBm
G8795 series (2.5 Gbps) : -22 to +1 dBm
- Integrated with trans-impedance amplifier
- Active area
G8338/G7871 series: $\phi 0.08$ mm
G8341/G8795 series: $\phi 0.04$ mm
- Supply voltage
G8338/G8341 series: 3.3 V
G7871/G8795 series: 3.3 V, 5 V
- Differential output

Applications

- Optical fiber communications
- Fiber channel
- Gigabit Ethernet
- HDTV
- SDH

■ Absolute maximum ratings (Ta=25 °C)

Parameter	Symbol	G8338	G8338-02	G8341	G8341-02	G7871	G7871-02	G8795	G8795-02	Unit	
Supply voltage	Vcc	-0.3, +3.8		-0.3, +3.8		-0.3, +5.5		-0.5, +6		V	
Operating temperature	Topr	-40 to +85									°C
Storage temperature	Tstg	-40 to +85									°C

■ Specifications (Typ. Ta=25 °C, Vee=0 V, capacitive coupling, $\lambda=1.31$ μm , unless otherwise noted)

Parameter	Symbol	Condition	G8338	G8338-02	G8341	G8341-02	G7871	G7871-02	G8795	G8795-02	Unit
			Vcc=3.3 V RL=500 Ω *1		Vcc=3.3 V RL=500 Ω *1		Vcc=3.3/5 V RL=50 Ω		Vcc=3.3/5 V RL=50 Ω		
Dimensional outline	-		①	②	①	②	③	④	①	②	-
Window	-		flat	lens	flat	lens	flat	lens	flat	lens	-
Active area	A		$\phi 0.08$		$\phi 0.04$		$\phi 0.08$		$\phi 0.04$		mm
Photo sensitivity	S	*2, *3	27		17		2.8		1.2		V/mW
Supply current	Icc	dark state, RL= ∞	25		30		35		35		mA
Output bias voltage	Vo	dark state, RL= ∞	1.5		1.65		Vcc - 1.7		Vcc - 0.25		V
Rise time	tr	*3 20 to 80 %	2000		500		250		150		ps
Data rate	B		156 M		622 M		1.25 G		2.5 G		bps

*1: G8338/G8341 series cannot be operated with RL=50 Ω , so they should be used with a load resistance larger than 500 Ω .

*2: Single ended (Vout+) measurement.

*3: G8338/G8341 series: Pin= -30 dBm

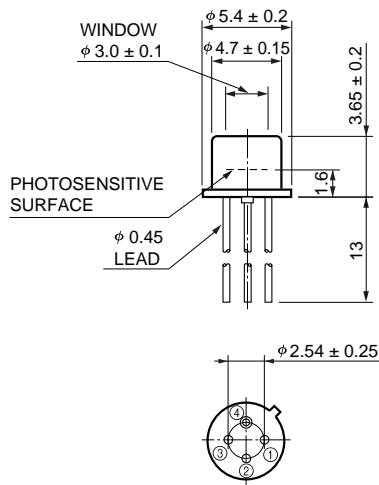
G7871 series: Pin= -22 dBm

G8795 series: Pin= -17 dBm

InGaAs PIN photodiode with preamp G8338/G8341/G7871/G8795 series

Dimensional outlines (unit: mm)

① G8338, G8341, G8795

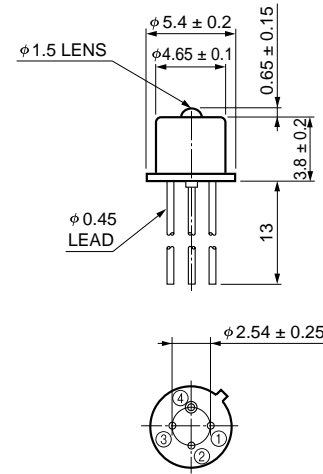


- ① Vout +
- ② Vcc
- ③ Vout -
- ④ Vee (CASE)

The borosilicate glass window may extend a maximum of 0.1 mm beyond the upper surface of the cap.

KIRDA0104EA

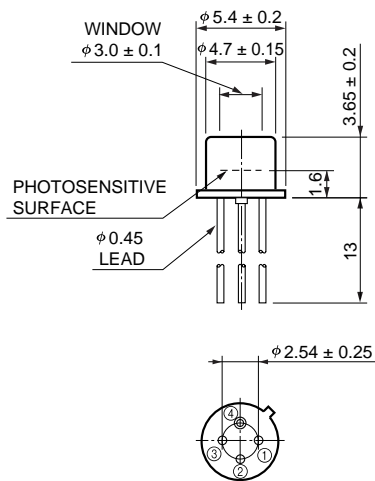
② G8338-02, G8341-02, G8795-02



- ① Vout +
- ② Vcc
- ③ Vout -
- ④ Vee (CASE)

KIRDA0098EA

③ G7871

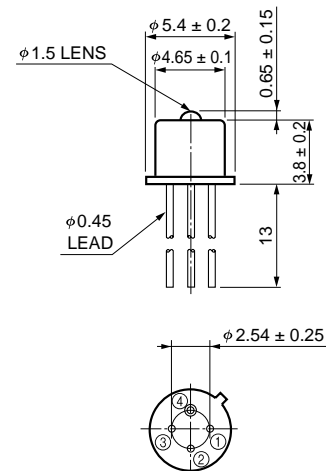


- ① Vout -
- ② Vcc
- ③ Vout +
- ④ Vee (CASE)

The borosilicate glass window may extend a maximum of 0.1 mm beyond the upper surface of the cap.

KIRDA0105EA

④ G7871-02



- ① Vout -
- ② Vcc
- ③ Vout +
- ④ Vee (CASE)

KIRDA0067EA

HAMAMATSU

Information furnished by HAMAMATSU is believed to be reliable. However, no responsibility is assumed for possible inaccuracies or omissions. Specifications are subject to change without notice. No patent rights are granted to any of the circuits described herein. ©2001 Hamamatsu Photonics K.K.

HAMAMATSU PHOTONICS K.K., Solid State Division

1126-1 Ichino-cho, Hamamatsu City, 435-8558 Japan, Telephone: (81) 053-434-3311, Fax: (81) 053-434-5184, <http://www.hamamatsu.com>

U.S.A.: Hamamatsu Corporation: 360 Foothill Road, P.O.Box 6910, Bridgewater, N.J. 08807-0910, U.S.A., Telephone: (1) 908-231-0960, Fax: (1) 908-231-1218

Germany: Hamamatsu Photonics Deutschland GmbH: Arzbergerstr. 10, D-82211 Herrsching am Ammersee, Germany, Telephone: (49) 08152-3750, Fax: (49) 08152-2658

France: Hamamatsu Photonics France S.A.R.L.: 8, Rue du Saule Trapu, Parc du Moulin de Massy, 91882 Massy Cedex, France, Telephone: 33-(1) 69 53 71 00, Fax: 33-(1) 69 53 71 10

United Kingdom: Hamamatsu Photonics UK Limited: 2 Howard Court, 10 Tewin Road, Welwyn Garden City, Hertfordshire AL7 1BW, United Kingdom, Telephone: (44) 1707-294888, Fax: (44) 1707-325777

North Europe: Hamamatsu Photonics Norden AB: Smidesvägen 12, SE-171 41 Solna, Sweden, Telephone: (46) 8-509-031-00, Fax: (46) 8-509-031-01

Italy: Hamamatsu Photonics Italia S.R.L.: Strada della Moia, 1/E, 20020 Arese, (Milano), Italy, Telephone: (39) 02-935-81-733, Fax: (39) 02-935-81-741