

BOX CLAMPS

Clamping force up to 10kN

Operating temperature range -40 +90 °C

Insulation material

NORYL ^â ( **GE - Plastic**)

UL94 certified

dielectric strength up to 6kV rms 50 Hz

Bolts and nuts supplied on request

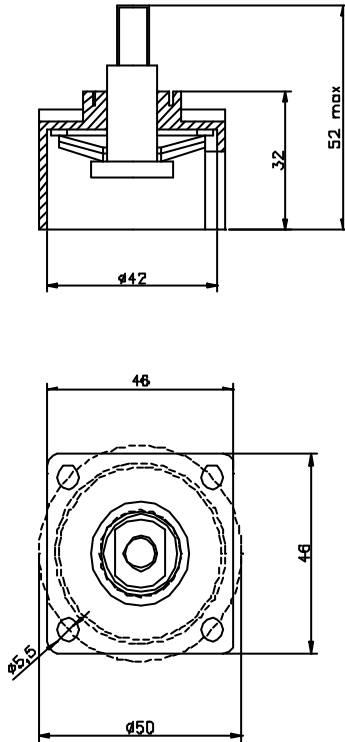
ORDERING INFORMATION

GB42	X	Y.Y	ZZ.Z
Max device diameter 42 mm (see drawings)	connection : M = threaded M10 stud F = threaded M8 hole B =lateral bar connection	clamping force (up to 7.5kN)	device height [mm] range : 13.1 mm to 14.7 mm
Example	GB42M7.5-14.5		

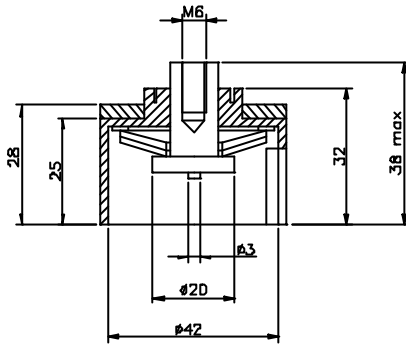
GB52	X	Y.Y	ZZ.Z
Max device diameter 52 mm (see drawings)	connection : M = threaded M10 stud F = threaded M8 hole B =lateral bar connection	clamping force (up to 10kN)	device height [mm] range : 13.1 mm to 25.6 mm
Example	GB52M7.5-22.5		

BOX CLAMP OUTLINES

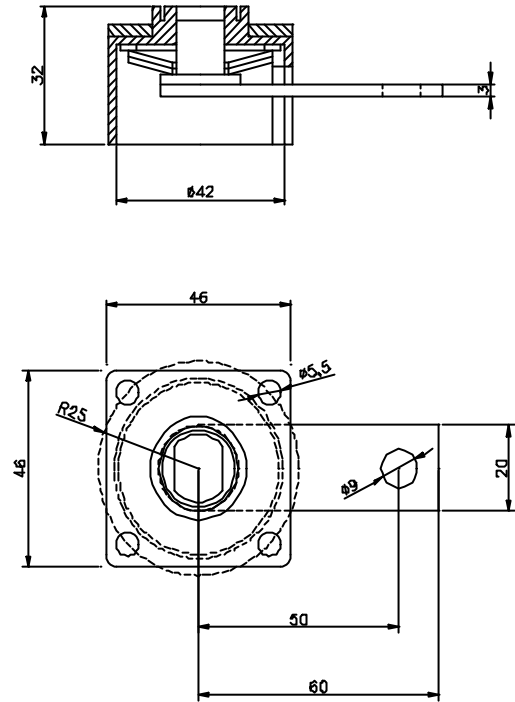
G42M...



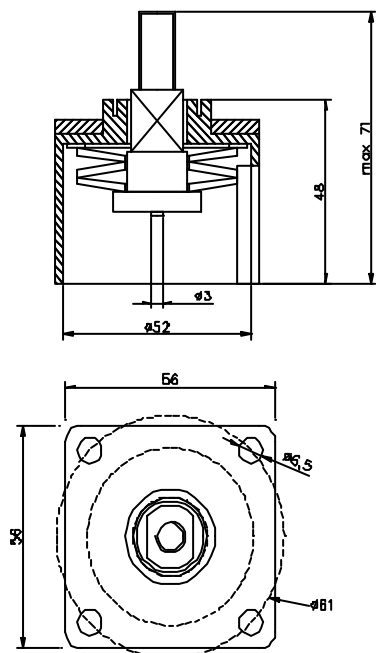
G42F...



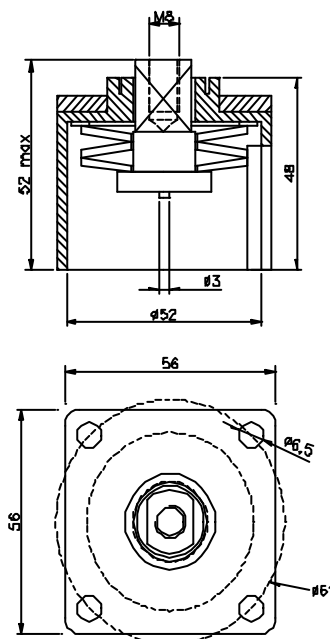
G42B...



G52M...



G52F...



G52B...

