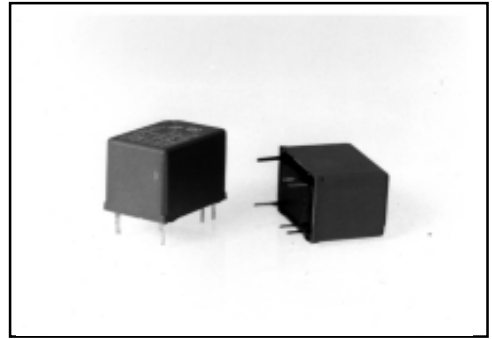


ULTRA MINIATURE RELAY

■ Features

- Small size (11 x 16 x 11.5mm)
- Standard type & High Sensitivity type available
- Fully sealed type, Semi sealed available on request
- DIP relay for PCB use



UL E155513
CSA LR76479M1

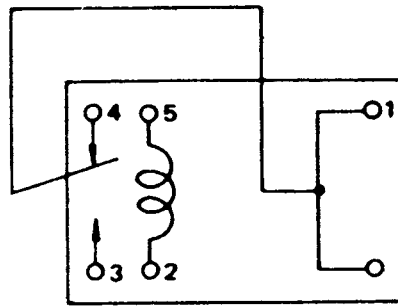
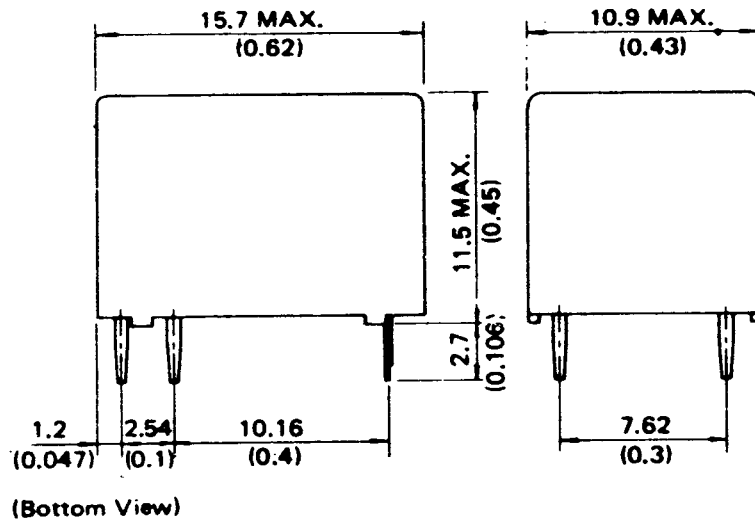
■ Coil Rating

Type	Nominal Voltage (VDC)	Coil Resistance (Ω ± 10%)	Nominal Current (mA)	Pick-Up Voltage (VDC)	Drop-Out Voltage (VDC)	Nominal Power (W) Consumption
Standard type	3	25	120	2.25	0.3	Approx. 0.36
	5	70	72	3.75	0.5	
	6	100	60	4.5	0.6	
	9	220	40	6.75	0.9	
	12	400	30	9.0	1.2	
	24	1600	15	18.0	2.4	
High Sensitivity type	3K	45	66.7	2.25	0.3	Approx. 0.20
	5K	120	44.7	3.75	0.5	
	6K	180	33.3	4.5	0.6	
	9K	400	22.5	6.75	0.9	
	12K	700	17.1	9.0	1.2	
	24K	2800	8.6	18.0	2.4	

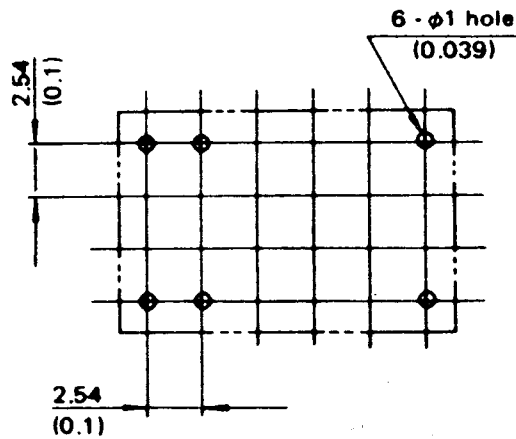
■ Specifications

Model No.		GH1
Contact Arrangement		SPDT (1 Form C)
Contact Material		Silver Alloy Gold Plated
Contact Rating (Resistive)		3A 28VDC 3A 120VAC
Contact Resistance		Max. 100mΩ (initial)
Max. Switching Voltage		120VAC, 60 VDC
Insulation Resistance		Max. 100MΩ (at 500VDC)
Dielectric Strength		500VAC (1 minute)
Operate Time		Max. 3.0mS
Release Time		Max. 1.5mS
Ambient Temperature		-25°C ~ +55°C
Vibration Resistance		1.5mm D.A. 10~ 55Hz
Shock Resistance		Unerror 10G
Life	Mechanical	1 x 10 ⁶ operations
	Electrical	5 x 10 ⁵ operations
Weight		Approx. 4g

■ *Dimensions*



Drilling Plan



Unit: mm (inch)

■ *How to order*

