

■ Features

- Automotive applications (QS9000)
- Ultra-miniature design. Only 12.9x12x9.9mm !
- 30A Continuous current capacity
- Sealed cover for enviromental protection



■ Contact Data

- Contact Form: A (SPST-NO); C (SPDT)
- Switching Current (max): Make, 100A; Break, 30A
- Contact Material: N = AgNiO.15 ; T = AgSnOInO
- Initial Contact Resistance: 100mW max. @ 0.1A, 6VDC
- Switching Voltage (max): 16VDC
- Continuous Current (max): NC, 25A ; NO, 30A
- Minimum Load: 0.5A, 12VDC
- Service Life: Mechanical, 10 ops ; Electrical, 10 ops.

■ Coil Data

Nominal Voltage	Resistance (W) +/- 10%	Must Operate (VDC max.)	Allowable Voltage (VDC)	Must Release (VDC min.)
6	64	3.5	13.6	0.75
10	181	5.7	22.7	1.25
12	254	6.9	27.2	1.50
24	1000	14.0	54.4	3.00

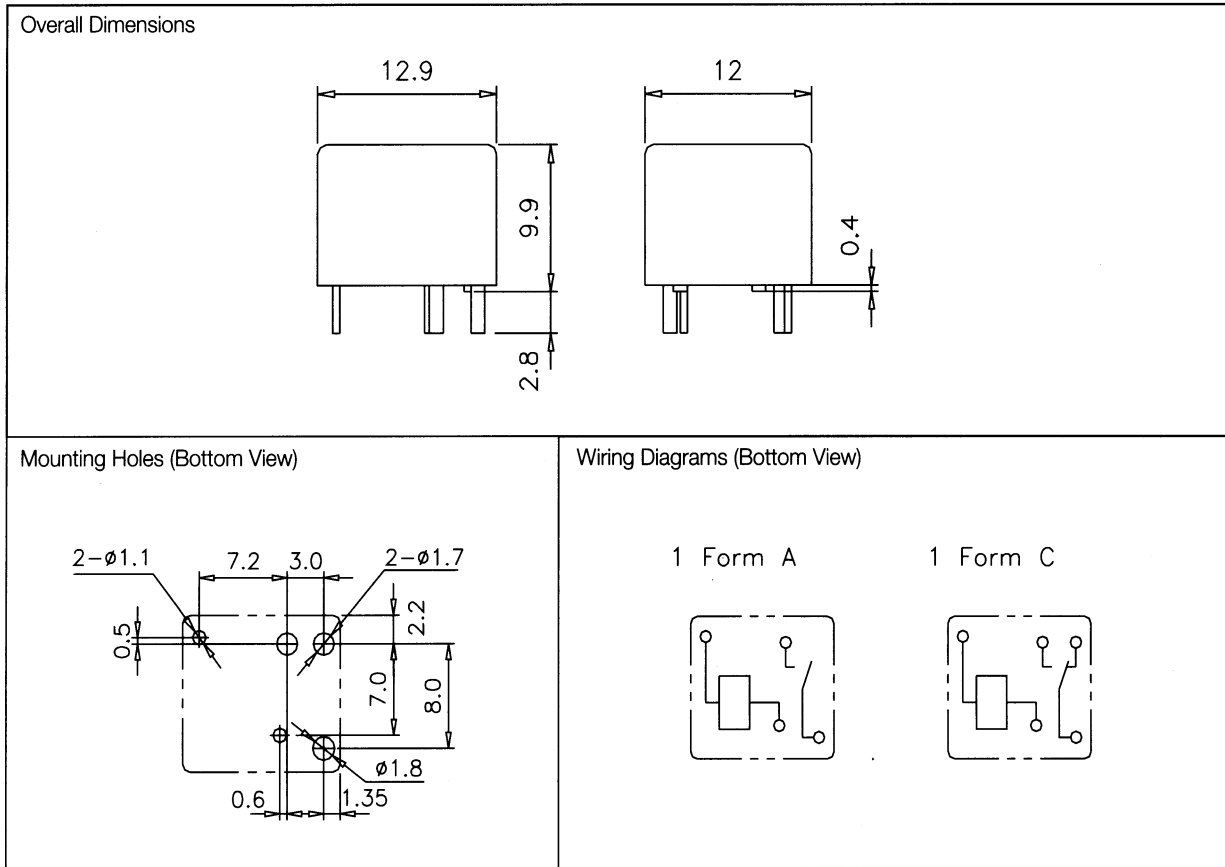
■ Characteristics

- Operate / Release Time: 3ms / 1.5ms typical
- Dielectric Strength: 500 Vrms, 1 minute
- Insulation Resistance: 100M Ω @ 500 VDC, 50% RH
- Shock Resistance: 30g, 6ms
- Vibration Resistance: 6g, 10-500 Hz
- Drop Resistance: 1M drop to concrete in final enclosure (GM test)
- Power Consumption: 0.55W, approx.
- Ambient temperature: -40 C to +105 C operating
-40 C to +155 C storage
- Weight: 4g, approx.

■ Ordering Information

Model	GK	C	-	12	T
Contact Form	A = SPST-NO; C = SPDT				
Coil Voltage:	6,10, 12, or 24 (VDC)				
Contact Material	N = AgNiO.15 ; T = AgSnOInO				

OVERALL DIMENSIONS, MOUNTING HOLES AND WIRING DIAGRAMS (mm)



NOTES

1. All parameters, unless otherwise specified, are measured at ambient temperature 23°C.
2. Maximum make current refers to inrush current of lamp load.
3. At ambient temperature of 85°C, maximum allowable voltage should be reduced to 72%.
4. Electrical life obtained at resistive load at 20A, 13.5 VDC on NO contacts with operating frequency of 6 ops/min.
5. To exert optimum electrical life, please remove the tape tab/knock-off nib of sealed version after cleaning process.
6. Custom-made services available with operational quantity. Please let us know your special requirements.
7. Specifications subject to change without prior notice.