



Photoelectric sensors
G10, Photoelectric retro-reflective sensor,
Standard optics

GL10-P4554



Type > [GL10-P4554](#)
Part No. > [1065893](#)



Illustration may differ

At a glance

- Long sensing ranges: up to 15 m on PL80A reflector
- PinPoint LED with bright and precise light spot
- Immunity to ambient light
- 10 V DC ... 30 V DC or 24 V AC/DC ... 240 V AC/DC power supply with PNP/NPN or relay output
- With or without sensitivity adjustment
- Small housing design
- Rugged sensor housing with metal-reinforced holes for assembly
- Q-Lock assembly system for mounting and aligning the sensor within a few seconds

Your benefits

- Long sensing ranges for maximum operating reserves
- Efficient installation: the GL10 and the Q-Lock assembly system save valuable hours when mounting and commissioning multiple sensors
- Universal DC or AC/DC power supply for even greater application flexibility
- Highly reliable and durable despite optical interference or mechanical loads
- Wide range of accessories simplifies sensor integration: aids for assembly, connecting cables, and reflectors



Features

Sensor/detection principle:	Photoelectric retro-reflective sensor, Dual lens
Dimensions (W x H x D):	20 mm x 50 mm x 39 mm
Housing design (light emission):	Rectangular
Sensing range max.:	0.15 m ... 10 m, 0.15 m ... 12 m ^{1) 2)}
Sensing range::	0.3 m ... 8 m, 0.3 m ... 9.5 m ^{3) 4)}
Type of light:	Visible red light
Light source:	PinPoint LED ⁵⁾
Wave length:	625 nm
Special features:	High functional reliability on foil-wrapped objects
Light spot size (distance):	Ø 58 mm (5 m)

^{1) 3)} PL80A ^{2) 4)} P250 ⁵⁾ Average service life: 100,000 h at T_U = +25 °C

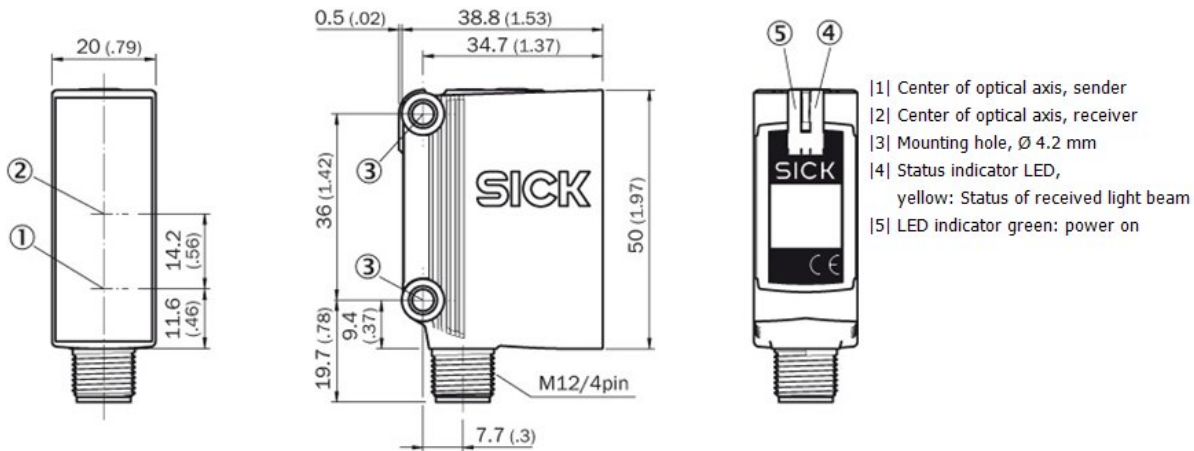
Mechanics/electronics

Supply voltage:	10 V DC ... 30 V DC ¹⁾
Ripple:	± 5 Vpp ²⁾

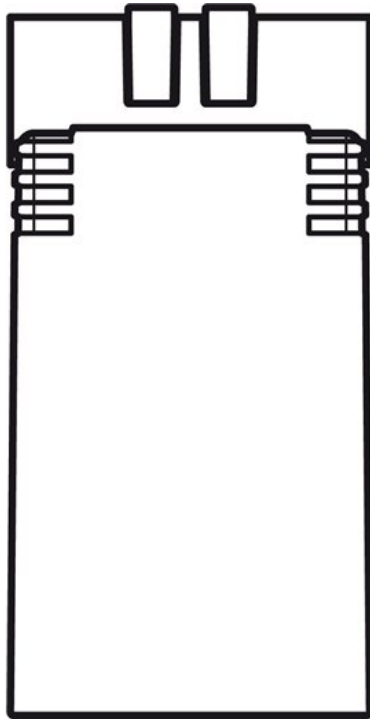
Power consumption:	≤ 20 mA
Output type:	PNP
Switching mode:	Light switching
Output current I _{max} :	≤ 100 mA
Response time:	≤ 1 ms ³⁾
Connection type:	M12, 4-pin male connector
Circuit protection:::	A, B, C, D ^{4) 5) 6) 7)}
Protection class:	III
Weight:	90 g
Polarisation filter:	✓
Special device:	-
Enclosure rating:	IP 67
Items supplied:	Q-Lock mounting system BEF-KHSQ12R01
EMC:	EN 60947-5-2
Ambient operating temperature:	-30 °C ... +60 °C
Ambient storage temperature:	-40 °C ... +70 °C
UL File No.:	NRKH.E348498 & NRKH7.E348498
Further standards:	UL325 ⁸⁾
Switching frequency max.:	500 Hz ⁹⁾
Housing material:	PVC/PMMA, Plastic

1) Limit values: operation in short-circuit protected network max. 8 A 2) May not exceed or fall below U_v tolerances 3) Signal transit time with resistive load 4) A = V_S
connections reverse-polarity protected 5) B = inputs and output reverse-polarity protected 6) C = interference suppression 7) D = outputs overcurrent and short-circuit
protected 8) Complies with the UL325 standard when used with sturdy protection hood (e.g. BEF-G10WSG, 2071960). 9) With light/dark ratio 1:1

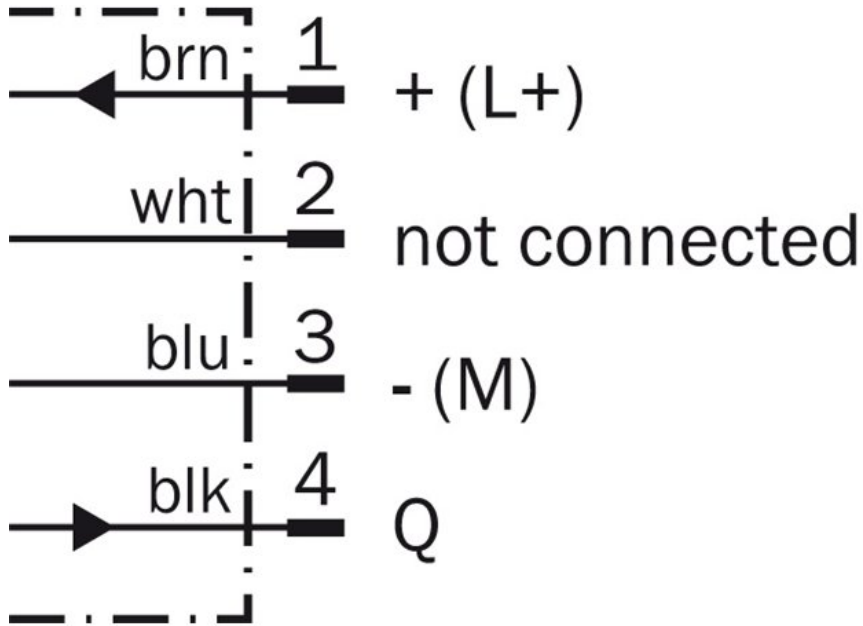
Dimensional drawing



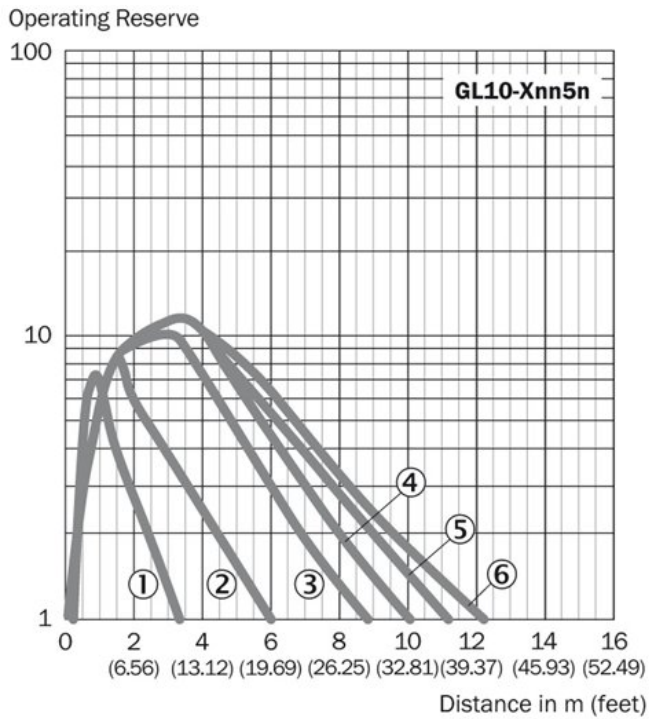
Adjustments possible



Connection diagram

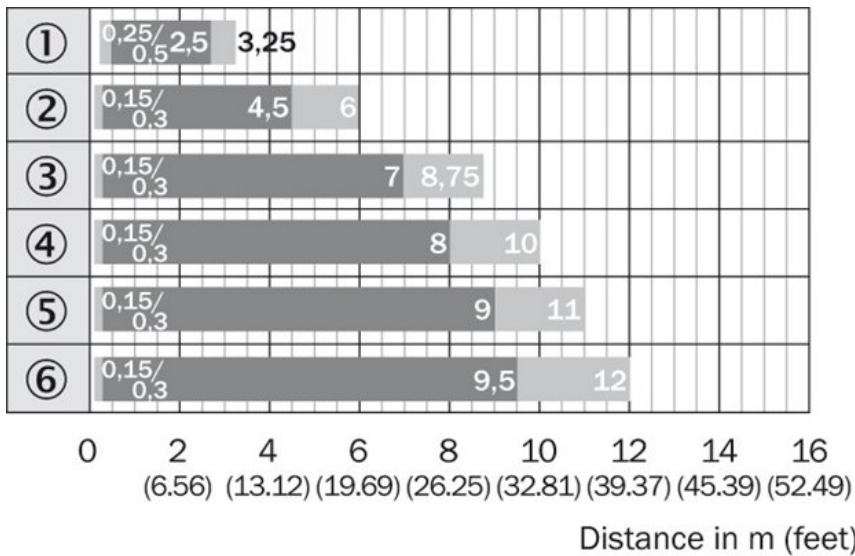


Characteristic curve



- |1| REF-IRF-56
- |2| PL20A
- |3| PL30A
- |4| P250
- |5| PL40A
- |6| PL80A

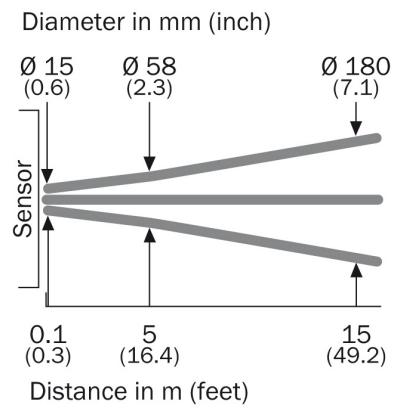
Sensing range diagram



- |1| REF-IRF-56
- |2| PL20A
- |3| PL30A
- |4| P250
- |5| PL40A
- |6| PL80A

■ Sensing range ■ Sensing range max.

Light spot size



Australia

Phone +61 3 9457 0600
1800 33 48 02 – tollfree
E-Mail sales@sick.com.au

Belgium/Luxembourg

Phone +32 (0)2 466 55 66
E-Mail info@sick.be

Brasil

Phone +55 11 3215-4900
E-Mail marketing@sick.com.br

Canada

Phone +1 905 771 14 44
E-Mail information@sick.com

Česká republika

Phone +420 2 57 91 18 50
E-Mail sick@sick.cz

China

Phone +86 4000 121 000
E-Mail info.china@sick.net.cn
Phone +852-2153 6300
E-Mail ghk@sick.com.hk

Danmark

Phone +45 45 82 64 00
E-Mail sick@sick.dk

Deutschland

Phone +49 211 5301-301
E-Mail info@sick.de

España

Phone +34 93 480 31 00
E-Mail info@sick.es

France

Phone +33 1 64 62 35 00
E-Mail info@sick.fr

Great Britain

Phone +44 (0)1727 831121
E-Mail info@sick.co.uk

India

Phone +91-22-4033 8333
E-Mail info@sick-india.com

Israel

Phone +972-4-6881000
E-Mail info@sick-sensors.com

Italia

Phone +39 02 27 43 41
E-Mail info@sick.it

Japan

Phone +81 (0)3 5309 2112
E-Mail support@sick.jp

Magyarország

Phone +36 1 371 2680
E-Mail office@sick.hu

Nederland

Phone +31 (0)30 229 25 44
E-Mail info@sick.nl

Norge

Phone +47 67 81 50 00
E-Mail sick@sick.no

Österreich

Phone +43 (0)22 36 62 28 8-0
E-Mail office@sick.at

Polska

Phone +48 22 837 40 50
E-Mail info@sick.pl

România

Phone +40 356 171 120
E-Mail office@sick.ro

Russia

Phone +7-495-775-05-30
E-Mail info@sick.ru

Schweiz

Phone +41 41 619 29 39
E-Mail contact@sick.ch

Singapore

Phone +65 6744 3732
E-Mail sales.gsg@sick.com

Slovenija

Phone +386 (0)1-47 69 990
E-Mail office@sick.si

South Africa

Phone +27 11 472 3733
E-Mail info@sickautomation.co.za

South Korea

Phone +82 2 786 6321/4
E-Mail info@sickkorea.net

Suomi

Phone +358-9-25 15 800
E-Mail sick@sick.fi

Sverige

Phone +46 10 110 10 00
E-Mail info@sick.se

Taiwan

Phone +886 2 2375-6288
E-Mail sales@sick.com.tw

Türkiye

Phone +90 (216) 528 50 00
E-Mail info@sick.com.tr

United Arab Emirates

Phone +971 (0) 4 88 65 878
E-Mail info@sick.ae

USA/México

Phone +1(952) 941-6780
1 (800) 325-7425 – tollfree
E-Mail info@sickusa.com

More representatives and agencies
at www.sick.com