

# GL3820

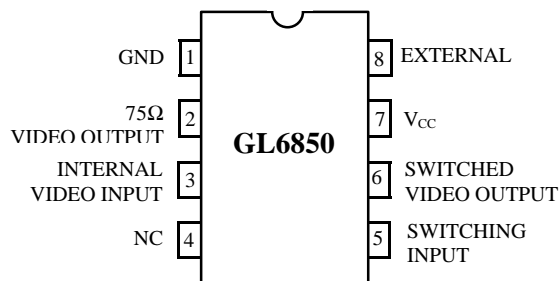
## Description

This integrated circuit provides all video switching allowing connections between the periphery TV plug and video sections in the TV set.

## Features

- 1 Video Output 75Ω– 1 V<sub>PP</sub> No Switched
- 1 Switched Video Output 2 V<sub>PP</sub>
- Video Cross Talk : 50 dB Typical
- Short Circuit Protection of Inputs and Outputs
- Clamped Video Inputs

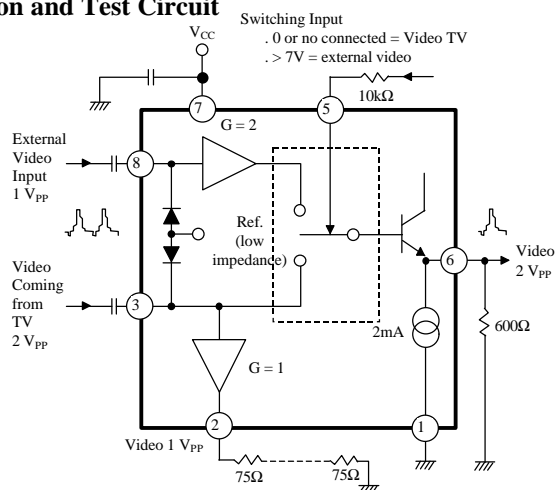
## Pin configuration



## Maximum Ratings

RATING	SYMBOL	VALUE	UNIT
Supply Voltage	V <sub>cc</sub>	18	V
Operating Temperature with Load > 150Ω with Load = 75Ω	T <sub>opr</sub>	-10 to + 100 -10 to + 70	°C
Junction Temperature	T <sub>j</sub>	-40 to + 150	°C
Storage Temperature	T <sub>stg</sub>	-40 to + 150	°C
Minimum DC Load Resistor P <sub>6</sub>		600	Ω
Minimum DC Load Resistor P <sub>2</sub>		75	Ω

## Typical Application and Test Circuit



Note : We advice to protect the 75Ω output through a 75Ω resistor for supply voltage upper than 9 V.

**Electrical Characteristics** : Ta = + 25j VCC = 9V (unless otherwise noted)

CHARACTERISTIC	SYMBOL	MIN	TYP	MAX	UNIT
Supply Voltage Range	V <sub>CC</sub>	8	-	14	V
Supply Current (no load on pin 2 and pin 6)	I <sub>CC</sub>	-	-	20	mA
Supply Current (with 75Ω between pin 2-1, with 600Ω between pin 6-1)	I <sub>CC</sub>	-	40	-	mA
Total Power Dissipation with Load	P <sub>tot</sub>	-	450	-	mW
Internal Video Input Swing from PIF (positive video)	-	-	-	4.5	V <sub>PP</sub>
Internal Video Input Impedance (positive video)	-	50	-	-	kΩ
External Video input Swing (positive video)	-	-	-	2	V <sub>PP</sub>
External Video Input Impedance (positive video)	-	50	-	-	kΩ
Switched Video Output Swing	-	-	-	4.5	V <sub>PP</sub>
Switched Video Output Dynamic Impedance	-	-	10	-	Ω
Switched Video DC Output Voltage (sync. Pulse level, note) (600Ω)	-	105	1.8	2.2	V
Switched Video Band Width (- 1 dB)	-	6	-	-	MHz
Switched Video Output Gain Pin 6 – Pin 8 (gain with 600Ω load) Pin 6 – Pin 3 (gain with 600Ω load)	-	+5 -1	+6 -0.5	+7 0	DB
External Video Output swing( with 150Ω load)	-	-	2	2.2	V
External Video Dynamic Output Impedance	-	-	10	-	Ω
External Video DC Output Voltage (sync. Pulse level, note) (150Ω)	-	1.5	1.8	2.2	V
External Video Output Gain (pin 2 – pin3 gain with 150Ω load)	-	-1.8	-1	-0.4	dB
Switching Input Unactive Low Level or Unconnected Pin (TV receiving)	-	0	-	3	V
Switching Input Active Level (ext. receiving)	-	7	-	V <sub>CC</sub>	V
Switching Input Impedance	-	10	-	-	kΩ
Video Rejection between Two Inputs 0 to 5 MHz 1kHz	-	- -50	-50 -	- -	dB
Differential Group Delay	-	-	15	-	ns
Linearity Distortion Luma Chroma Intermodulation Luma - Chroma	-	- - -	2 2 5	- - -	%
Supply Voltage Rejection (1 kHz)	-	40	50	-	dB

Note : Use a video signal with a synchro pulse in order to make the clamp work in a correct way (75Ω to the ground and 10μF in series).