



Genesys Logic, Inc.

GL603USB
GL603USB-A
GL603USB-B

USB + PS/2 MOUSE
MICROCONTROLLER

SPECIFICATION 1.4
Sep 22, 2000

Genesys Logic, Inc.

10F, No.11, Ln.3, Tsao Ti Wei, Shenkeng, Taipei, Taiwan

Tel: 886-2-2664-6655 Fax: 886-2-2664-5757

<http://www.genesyslogic.com>



TABLE OF CONTENTS

1 FEATURES4

2 FUNCTIONAL OVERVIEW6

3 PIN DEFINITIONS AND DESCRIPTIONS7

 3.1 GL603USB7

 3.2 GL603USB-A9

 3.3 GL603USB-B11

4 FUNCTIONAL DESCRIPTION.....12

 4.1 MEMORY ORGANIZATION12

 4.1.1 Program Memory Organization12

 4.1.2 Data Memory Organization12

 4.2 USB FUNCTION REGISTERS13

 4.3 MCU FUNCTION REGISTERS16

 4.4 FULL-RANGE DETECTION AND ANALOG-TO-DIGITAL CONVERTER20

 4.5 CLOCK GENERATOR21

 4.6 GENERAL PURPOSE I/O PORTS21

 4.7 TIMER INTERRUPT22

 4.8 USB ENGINE22

 4.8.1 Voltage Regulator22

 4.8.2 USB Transceiver22

 4.8.3 Serial Interface Engine (SIE)24

 4.9 INSTRUCTION SET SUMMARY25

 4.9.1 Operand Field Descriptions25

 4.9.2 Instruction Set25

5 ABSOLUTE MAXIMUM RATINGS27

6 ELECTRICAL CHARACTERISTICS34

7 PACKAGE DIAGRAMS36

 7.1 16-pin P-DIP36

 7.2 18-pin P-DIP37

 7.3 20-pin P-DIP38

 7.4 16-pin SOP39

 7.5 18-pin SOP40

 7.6 20-pin SOP41

TABLE OF FIGURES

Figure 2-1 Block Diagram of GL603USB 6

Figure 3-1 20-pin DIP& SOP (GL603USB)..... 8

Figure 3-2 18-pin DIP & SOP (GL603USB-A) 10

Figure 3-3 16-pin DIP& SOP (GL603USB-B)..... 11

Figure 4-1 Program Memory Space..... 12

Figure 4-2 Data Memory Space 13

Figure 4-3 Differential Input Sensitivity over Entire Common Mode Range 23

Figure 4-4 Receiver Jitter Tolerance..... 24

Figure 4-5 Data Signal Rise and Fall Time 24

Figure 7-1 Package outline dimension for 16-pin P-DIP..... 36

Figure 7-2 Package outline dimension for 18-pin P-DIP..... 37

Figure 7-3 Package outline dimension for 20-pin P-DIP..... 38

Figure 7-4 Package outline dimension for 16-pin SOP 39

Figure 7-5 Package outline dimension for 18-pin SOP 40

Figure 7-6 Package outline dimension for 20-pin SOP 41



1 FEATURES

- Low-cost solution for PS/2 and low-speed USB combo mouse
- 8-bit micro-controller
 - Operation Speed: DC to 6MHz clock input
 - Performance: 3 MIPS/6 MIPS @ 6MHz (6 MIPS is only for mask type)
 - Single cycle instruction execution
 - RISC-like architecture
 - USB optimized instruction set
- USB Specification Compliance
 - Conforms to USB 1.5Mbps Specification, Version 1.1
 - Conforms to USB HID Class Specification, Version 1.1
 - Supports 1 device address and 2 endpoints (include endpoint 0)
- I/O ports
 - Up to 13(GL603USB)/11(GL603USB-A)/9(GL603USB-B) general purpose I/O pins (OTP type is less a GPIO pin than mask type, and the number is not included CLK/DATA in PS/2 mode).
 - Internal RC clock to wakeup periodically (about 200ms for mask type, 500ms for OTP type) when suspend
 - Up to 8(GL603USB)/6(GL603USB-A)/4(GL603USB-B) special purpose I/O pins optimized for photo-sensor (Internal build in 4 bits ADC)
 - Up to 2 I/O pins with large current drive capability to drive LED (Sink current up to 16 mA)
 - 2 open drain I/O pins combined with USB D+/D- functions to be used as DATA and CLK in PS/2 mode
- Internal memory
 - 64 bytes of RAM (special purpose register is not included)
 - 2.75K x 14 of program ROM
- Integrated USB transceiver with open drain I/O capability
 - In PS/2 mode, D+ used as CLK and D- used as DATA
 - Use legacy USB cable and add an USB to PS/2 converter to connect PS/2 port
- Patented full-range detection for photo-sensor
 - Removes the expensive process of matching LED and photo-sensor
- On-chip 3.3v output
 - No external regulator required
- Improved output drivers with slew-rate control to reduce EMI
- 6 MHz external clock
- Build in clock generator to generate 12 MHz internal clock for micro-controller (mask type only)
 - Improve photo-sensor sampling rate up to 100 us per sample in USB mode and 80 us in PS/2 mode
- Internal power-on reset(POR)
- Internal power-fail detector
- Supports suspend/normal mode power management
 - Suspend current lower than 400μA for whole mouse system (mask type)
- 8-bits free-running timer



GL603USB/GL603USB-A/GL603USB-B

- Available in cost saving 20-pin(GL603USB) PDIP, 18-pin(GL603USB-A) PDIP and 16-pin(GL603USB-B) PDIP

2 FUNCTIONAL OVERVIEW

The GL603USB is a 8-bits RISC-like high performance microcontroller with a built-in 1.5Mbps SIE and transceiver. The microcontroller features 33 instructions optimized for USB and PS/2 mouse. There are 64 bytes on-chip RAM and 2.75K x 14 program ROM incorporated into the microcontroller. Because the GL603USB build in a clock generator circuit, it can accepts a 6 MHz ceramic resonator or a crystal as its clock source. The clock generator can generate 12 MHz clock for micro-controller to sense mouse tracking signal. The clock is only enabled when bit 1 of PORTCON1 register is cleared. In default firmware, it indicates the controller is running on PS/2 mouse mode. The sampling rate of mouse tracking signal can be up to 100 us in USB mode and 80 us in PS/2 mode. The micro-controller features 13 general purpose I/Os (GPIOs). 8 GPIO pins build in 4 bits ADC for photo-sensor input to remove the expensive process of matching LED and photo-sensor. Additionally, 2 GPIO pins are strong enough to drive LEDs. The other 3 GPIO pins is used for mouse buttons by default firmware. Beside the 13 GPIO pins, another 2 GPIO pins combined with USB D+/D- functions can be used as DATA and CLK in PS/2 mode. Legacy USB cable can be used for mouse in USB mode and an USB to PS/2 converter is required in PS/2 mode. All GPIO ports feature low EMI emissions as a result of improved output drivers with slew-rate control.

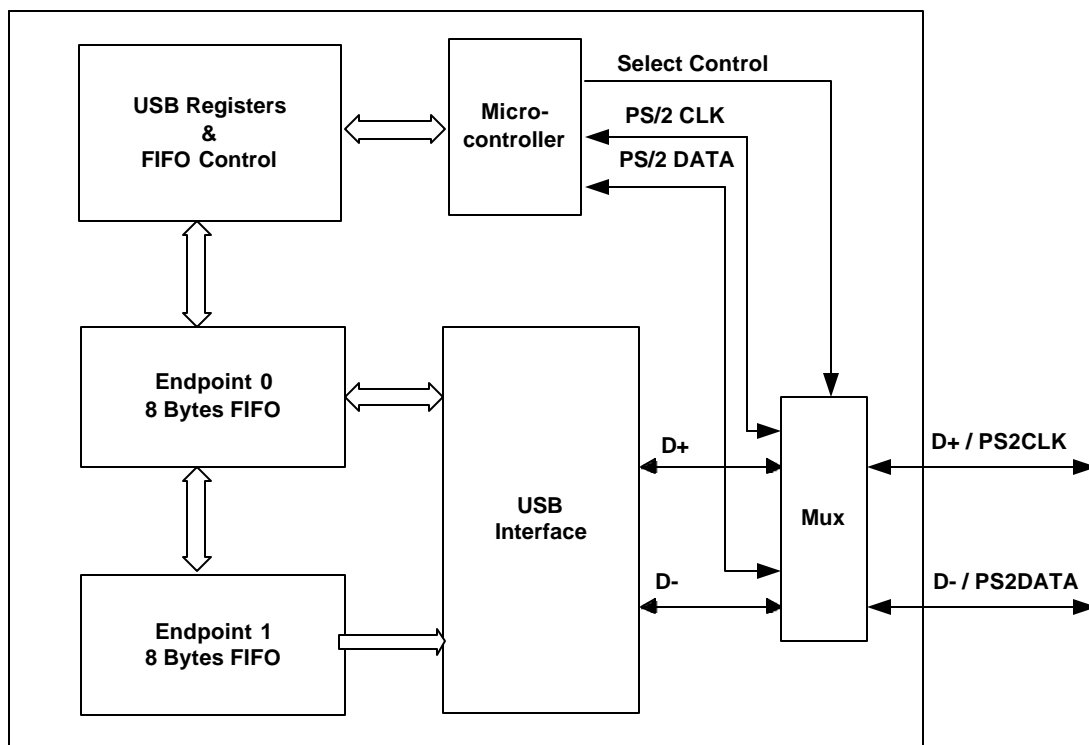


Figure 2-1 Block Diagram of GL603USB

3 PIN DEFINITIONS AND DESCRIPTIONS

3.1 GL603USB

Pin No.	Name	I/O	Description
1	P1.2/LB ^[1]	I/O	Port 1 bit 2/mouse left button Internal pull up 10K
2	P1.3/MB	I/O	Port 1 bit 3/mouse middle button Internal pull up 10K
3	P1.4/RB	I/O	Port 1 bit 4/mouse right button Internal pull up 10K
4	P2.7/W2	I/O	Port 2 bit 7/photo-sensor input for horizontal scroll 2 Optional internal pull down from 4K ~ 32K or no pull down resistor
5	V _{CC}	-	Voltage supply
6	XTAL2	O	Ceramic resonator or crystal out
7	XTAL1	I	Ceramic resonator or crystal in
8	P2.4/Z1	I/O	Port 2 bit 4/photo-sensor input for vertical scroll 1 Optional internal pull down from 4K ~ 32K or no pull down resistor
9	D+/P1.6/PS2 CLK	I/O	USB data+ when USBPS2 = 1 Port 1 bit 6 when USBPS2 = 0. This pin is a open drain output pin.
10	D-/P1.5/PS2 DATA	I/O	USB data- when USBPS2 = 1 Port 1 bit 5 when USBPS2 = 0. This pin is a open drain output pin.
11	V3.3	O	3.3V output, a 0.1uF to 1uF capacitor should be added on external circuit for this pin
12	P2.5/Z2	I/O	Port 2 bit 5/photo-sensor input for vertical scroll 2 Optional internal pull down from 4K ~ 32K or no pull down resistor
13	P2.6/W1	I/O	Port 2 bit 6/photo-sensor input for horizontal scroll 1 Optional internal pull down from 4K ~ 32K or no pull down resistor
14	P1.0/LEDCTL	I/O	Port 1 bit 0 with LED drive capability
15	P1.1/MODESEL	I/O	Port 1 bit 1/mouse mode selector
16	GND	-	Ground
17	P2.3/Y1	I/O	Port 2 bit 3/photo-sensor input for Y axis 1 Optional internal pull down from 4K ~ 32K or no pull down resistor
18	P2.2/Y2	I/O	Port 2 bit 2/photo-sensor input for Y axis 2 Optional internal pull down from 4K ~ 32K or no pull down resistor
19	P2.1/X1	I/O	Port 2 bit 1/photo-sensor input for X axis 1 Optional internal pull down from 4K ~ 32K or no pull down resistor
20	P2.0/X2	I/O	Port 2 bit 0/photo-sensor input for X axis 2 Optional internal pull down from 4K ~ 32K or no pull down resistor

Note 1: Name or description after “/” means default function specified by Genesys Logic firmware

Table 3-1 GL603USB Pin Definitions and Descriptions

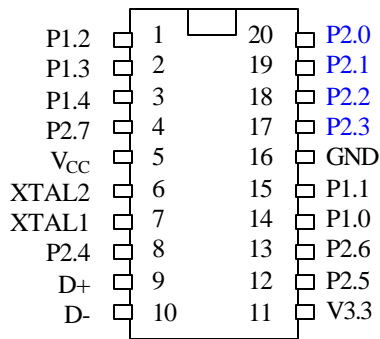


Figure 3-1 20-pin DIP& SOP (GL603USB)



3.2 GL603USB-A

Pin No.	Name	I/O	Description
1	P1.2/LB ^[1]	I/O	Port 1 bit 2/mouse left button Internal pull up 10K
2	P1.3/MB	I/O	Port 1 bit 3/mouse middle button Internal pull up 10K
3	P1.4/RB	I/O	Port 1 bit 4/mouse right button Internal pull up 10K
4	V _{CC}	-	Voltage supply
5	XTAL2	O	Ceramic resonator or crystal out
6	XTAL1	I	Ceramic resonator or crystal in
7	P2.4/Z1	I/O	Port 2 bit 4/photo-sensor input for vertical scroll 1 Optional internal pull down from 4K ~ 32K or no pull down resistor
8	D+/P1.6/PS2 CLK	I/O	USB data+ when USBPS2 = 1 Port 1 bit 6 when USBPS2 = 0. This pin is a open drain output pin.
9	D-/P1.5/PS2 DATA	I/O	USB data- when USBPS2 = 1 Port 1 bit 5 when USBPS2 = 0. This pin is a open drain output pin.
10	V3.3	O	3.3V output, a 0.1uF to 1uF capacitor should be added on external circuit for this pin
11	P2.5/Z2	I/O	Port 2 bit 5/photo-sensor input for vertical scroll 2 Optional internal pull down from 4K ~ 32K or no pull down resistor
12	P1.0/LEDCTL	I/O	Port 1 bit 0 with LED drive capability
13	P1.1/MODESEL	I/O	Port 1 bit 1/mouse mode selector
14	GND	-	Ground
15	P2.3/Y1	I/O	Port 2 bit 3/photo-sensor input for Y axis 1 Optional internal pull down from 4K ~ 32K or no pull down resistor
16	P2.2/Y2	I/O	Port 2 bit 2/photo-sensor input for Y axis 2 Optional internal pull down from 4K ~ 32K or no pull down resistor
17	P2.1/X1	I/O	Port 2 bit 1/photo-sensor input for X axis 1 Optional internal pull down from 4K ~ 32K or no pull down resistor
18	P2.0/X2	I/O	Port 2 bit 0/photo-sensor input for X axis 2 Optional internal pull down from 4K ~ 32K or no pull down resistor

Table 3-2 GL603USB-A Pin Definitions and Descriptions

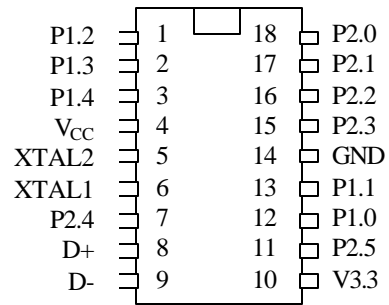


Figure 3-2 18-pin DIP & SOP (GL603USB-A)

3.3 GL603USB-B

Pin No.	Name	I/O	Description
1	P1.2/LB ^[1]	I/O	Port 1 bit 2/mouse left button Internal pull up 10K
2	P1.3/MB	I/O	Port 1 bit 3/mouse middle button Internal pull up 10K
3	P1.4/RB	I/O	Port 1 bit 4/mouse right button Internal pull up 10K
4	V _{CC}	-	Voltage supply
5	XTAL2	O	Ceramic resonator or crystal out
6	XTAL1	I	Ceramic resonator or crystal in
7	D+/P1.6/PS2 CLK	I/O	USB data+ when USBPS2 = 1 Port 1 bit 6 when USBPS2 = 0. This pin is an open drain output pin.
8	D-/P1.5/PS2 DATA	I/O	USB data- when USBPS2 = 1 Port 1 bit 5 when USBPS2 = 0. This pin is an open drain output pin.
9	V3.3	O	3.3V output, a 0.1uF to 1uF capacitor should be added on external circuit for this pin
10	P1.0/LEDCTL	I/O	Port 1 bit 0 with LED drive capability
11	P1.1/MODESEL	I/O	Port 1 bit 1/mouse mode selector
12	GND	-	Ground
13	P2.3/Y1	I/O	Port 2 bit 3/photo-sensor input for Y axis 1 Optional internal pull down from 4K ~ 32K or no pull down resistor
14	P2.2/Y2	I/O	Port 2 bit 2/photo-sensor input for Y axis 2 Optional internal pull down from 4K ~ 32K or no pull down resistor
15	P2.1/X1	I/O	Port 2 bit 1/photo-sensor input for X axis 1 Optional internal pull down from 4K ~ 32K or no pull down resistor
16	P2.0/X2	I/O	Port 2 bit 0/photo-sensor input for X axis 1 Optional internal pull down from 4K ~ 32K or no pull down resistor

Table 3-3 GL603USB-B Pin Definitions and Descriptions

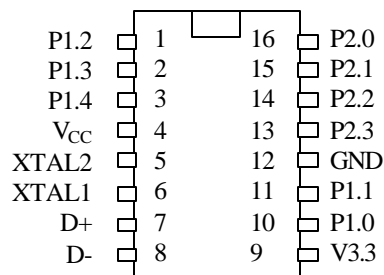


Figure 3-3 16-pin DIP& SOP (GL603USB-B)

4 FUNCTIONAL DESCRIPTION

The Genesys Logic GL603USB micro-controller is optimized for USB & PS/2 combo 2D/3D/4D mouse. This USB microcontroller conforms to the low-speed (1.5Mbps) requirements of the USB Specification version 1.1. The micro-controller is a self-contained unit with an USB SIE, an USB transceiver, an 8-bits RISC-like microcontroller, a timer, data and program memories. It supports one USB device address and two endpoints (include endpoint 0). The USB transceiver can be disabled in PS/2 mode and D+/D- can be used as PS/2 CLK and DATA.

4.1 MEMORY ORGANIZATION

The memory in the microcontroller is organized into user program memory in program ROM and data memory in SRAM space.

4.1.1 Program Memory Organization

The 12-bit Program Counter (PC) is capable of addressing 4K x 14 of program space. However, the program space of the GL603USB is 2.75K x 14. The program memory space is divided into two functional groups: Interrupt Vectors and program code. After a reset, the Program Counter points to location zero of the program space. After a timer interrupt, the Program Counter points the location 0x0004 of the program space.

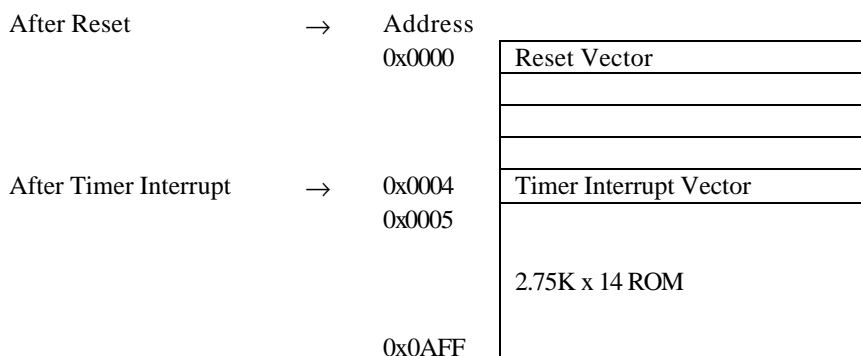


Figure 4-1 Program Memory Space

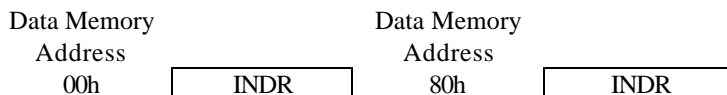
4.1.2 Data Memory Organization

The data memory is partitioned into two banks that contain the General Purpose Registers, MCU Function Registers and USB Function Registers. Bit BS is the bank select bit.

BS (STATUS<5>) = 1 → Bank 1

BS (STATUS<5>) = 0 → Bank 0

The lower locations of each Bank are reserved for MCU Function Registers and USB Function Registers. Above the MCU Function Registers and USB Function Registers are General Purpose Registers implemented as SRAM. Both Bank 0 and Bank 1 contain MCU Function Registers. USB Function Registers are located in Bank 0. Some “high use” MCU Function Registers from Bank 0 are mirrored in Bank 1 for code reduction and quicker access.



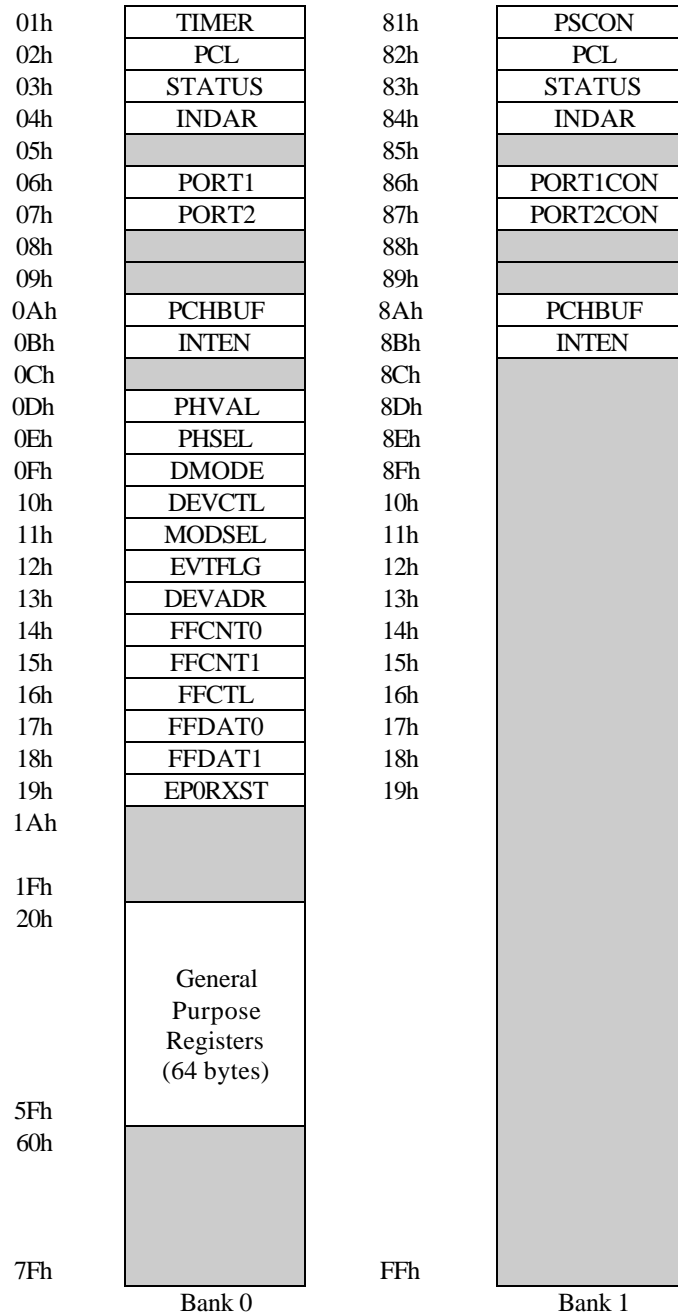


Figure 4-2 Data Memory Space

4.2 USB FUNCTION REGISTERS

Address	Name	Function
10h	DEVCTL	Device control register
11h	MODSEL	Mode select register
12h	EVTFLG	Event flag register
13h	DEVADR	USB device address register
14h	FFCNT0	Byte count buffer for endpoint 0



15h	FFCNT1	Byte count buffer for endpoint 1
16h	FFCTL	FIFO control register
17h	FFDAT0	Endpoint 0 FIFO port
18h	FFDAT1	Endpoint 1 FIFO port
19h	EP0RXST	Endpoint 0 receiving status register

Table 4-1 USB Function Register Summary

DEVCTL (Address 10h, Device control register)

R/W ^[1]		R/W		R/W	R/W	R/W	R/W
TXSE0		EPOSTL		EP1STL	WAKE	WKDIS	PWRDN

TXSE0: Set and clear transmitting SE0 bit

- 1: Set transmitting SE0
- 0: Clear transmitting SE0

EPOSTL: Endpoint 0 stall bit. This bit will be cleared automatically by hardware when SETUP packet is received

- 1: Endpoint 0 will respond with a STALL to a valid transaction except SETUP
- 0: Endpoint 0 will not respond with a STALL to a valid transaction

EP1STL: Endpoint 1 stall bit

- 1: Endpoint 1 will respond with a STALL to a valid transaction
- 0: Endpoint 1 will not respond with a STALL to a valid transaction

WAKE: Wake-up bit

- 1: Set this bit to wake up host controller by placing USB bus into K state
- 0: Clear this bit to force USB bus leave K state

WKDIS: Wake-up disable bit. The WAKE bit has no effect if WKDIS bit is set to 1.

- 1: Disable remote wake-up capability
- 0: Enable remote wake-up capability

PWRDN: Power-down mode bit. Writing 1 to this bit will enter power-down mode

If USB suspend is detected, firmware can set this bit to enter power-down mode. In power-down mode, crystal/resonator will stop. The PWRDN bit will be cleared automatically by hardware and crystal/resonator will restart when the internal RC timer timeout (about 300ms for mask, 500ms for OTP). Firmware should check buttons and photo position encoders of the mouse. If mouse status is not changed, Firmware should set the PWRDN bit to enter power down mode again. Power consumption in suspend mode depends on how much time the firmware checking mouse status changed. Hardware will also clear PWRDN bit automatically when USB D+ or D- is toggled.

- 0: Normal mode, not power-down

Value on POR: "1 - 0 - 0 0 0"^[2]

Note 1: "R/W" means readable and writable bit. All reserved fields should not be changed by firmware.

Note 2: "-" means unimplemented read as 0

MODESEL (Address 11h, Mode select register)

			R/W				
			USBPS2				

USBPS2: USB or PS/2 mode selector bit

- 1: USB mode, enable SIE
- 0: PS/2 mode, disable SIE

Value on POR: "- - - 0 - - -"

EVTFLG (Address 12h, Event flag register)

			R/W1C ^[1]	R/W1C	R/W1C	R/W1C	R/W1C
			RESUME	SUSPD	EPITX	EP0TX	EP0RX

RESUME: Global resume bit

- 1: Global resume (USB D+/D- toggle) was detected



- 0: Global resume was not detected
 - SUSPD: Global suspend bit
 - 1: Global suspend (USB idle more than 3ms) was detected
 - 0: Global suspend was not detected
 - EP1TX: Endpoint 1 transmitting status bit
 - 1: Data has been sent from endpoint 1
 - 0: Data has not been sent from endpoint 1
 - EP0TX: Endpoint 0 transmitting status bit
 - 1: Data has been sent from endpoint 0
 - 0: Data has not been sent from endpoint 0
 - EP0RX: Endpoint 0 receiving status bit
 - 1: Data has been received by endpoint 0
 - 0: Data has not been received by endpoint 0
- Note 1: "R/W1C" means read-only and write "1" to clear bit

DEVADR (Address 13h, USB device address register)

	R/W	R/W	R/W	R/W	R/W	R/W	R/W
	DADR6	DADR5	DADR4	DADR3	DADR2	DADR1	DADR0

Write this register to set the USB device address
 Value on POR: "- 0000000"

FFCNT0 (Address 14h, Byte count buffer for endpoint 0)

R/O ^[1]	R/O	R/O	R/O	R/W	R/W	R/W	R/W
RXCNT3	RXCNT2	RXCNT1	RXCNT0	TXCNT3	TXCNT2	TXCNT1	TXCNT0

RXCNT[3:0]: Number of bytes received by endpoint 0 OUT transaction
 TXCNT[3:0]: Number of bytes to be sent by endpoint 0 IN transaction
 Note 1: "R/O" means read-only bit. Writing this bit is no effect.

FFCNT1 (Address 15h, Byte count buffer for endpoint 1)

				R/W	R/W	R/W	R/W
				TXCNT3	TXCNT2	TXCNT1	TXCNT0

TXCNT[3:0]: Number of bytes to be sent by endpoint 1 IN transaction
 Value on POR: "- - - - x x x x"

FFCTL (Address 16h, FIFO control register)

	W/O ^[1]	R/W	R/W	R/W	W/O	R/W	R/W
	FFRST1	TXSEQ1	TXOE1	RXDIS0	FFRST0	TXSEQ0	TXOE0

- FFRST1: Reset endpoint 1 FIFO read/write pointer
 Write "1" to this bit will reset endpoint 1 FIFO read/write pointer. Data in endpoint 1 FIFO remain unchanged. Before data are written into endpoint 1 FIFO, FFRST1 should be written first.
- TXSEQ1: Endpoint 1 transmitting sequence bit
 - 1: Transmitting data use DATA 1 as PID
 - 0: Transmitting data use DATA 0 as PID
- TXOE1: Endpoint 1 FIFO data ready bit
 - 1: Endpoint 1 FIFO data are ready to be transmitted. Data will be transmitted when a valid IN token is received. This bit is automatically cleared by hardware after the transaction complete (ACK is received).
 - 0: Endpoint 1 FIFO data are not ready to be transmitted. Endpoint 1 will respond with a NAK to a valid IN transaction.
- RXDIS0: Endpoint 0 receiving not available bit
 - 1: Endpoint 0 FIFO is not available. The received data cannot be pushed into FIFO. The USB controller will respond with a NAK to a valid OUT transaction. This bit is set by hardware when



endpoint 0 data is received (both SETUP and OUT transaction) and should be cleared by firmware after data is read from FIFO.

0: Endpoint 0 FIFO is available for data receiving

FFRST0: Reset endpoint 0 FIFO read/write pointer

Write “1” to this bit will reset endpoint 0 FIFO read/write pointer. Data in endpoint 0 FIFO remain unchanged. Before data are written into endpoint 0 FIFO, FFRST0 should be written first.

TXSEQ0: Endpoint 0 transmitting sequence bit

1: Transmitting data use DATA 1 as PID

0: Transmitting data use DATA 0 as PID

TXOE0: Endpoint 0 FIFO data ready bit

1: Endpoint 0 FIFO data are ready to be transmitted. Data will be transmitted when a valid IN token is received. This bit is automatically cleared by hardware after the transaction complete (ACK is received).

0: Endpoint 0 FIFO data are not ready to be transmitted and respond with a NAK to a valid IN transaction.

Value on POR: “- 0000000”

Note 1: “W/O” means write-only bit. 0 will be returned when reading this bit

FFDAT0 (Address 17h, Endpoint 0 FIFO port)

R/W	R/W	R/W	R/W	R/W	R/W	R/W	R/W
FFDAT7	FFDAT6	FFDAT5	FFDAT4	FFDAT3	FFDAT2	FFDAT1	FFDAT0

Endpoint 0 FIFO data port

Endpoint 0 FIFO is a 8 bytes FIFO. Firmware can read/write this port 8 times to get/put the FIFO data.

Value on POR: “x x x x x x x x”

FFDAT1 (Address 18h, Endpoint 1 FIFO port)

R/W	R/W	R/W	R/W	R/W	R/W	R/W	R/W
FFDAT7	FFDAT6	FFDAT5	FFDAT4	FFDAT3	FFDAT2	FFDAT1	FFDAT0

Endpoint 1 FIFO port

Endpoint 1 FIFO is 8 bytes FIFO. Firmware can read this port 8 times to get the FIFO data.

Value on POR: “x x x x x x x x”

EP0RXST (Address 19h, Endpoint 0 receiving status register)

				R/O	R/O	R/O	R/O
				RXST3	RXST2	RXST1	RXST0

RXST[3:0]: If EP0RX is set, then there’s a complete transaction. RXST[3:0] indicate the packet received.

Bit Value	Packet received
1001	SETUP token with DATA0 packet
0101	OUT token with DATA0 packet
0110	OUT token with DATA1 packet

Value on POR: “- - - - x x x x”

4.3 MCU FUNCTION REGISTERS

Address	Name	Function
00h	INDR	Addressing this location will use the content of INDAR to address data memory (not a physical address)
01h	TIMER	Timer register
02h	PCL	Program Counter’s low byte
03h	STATUS	Status register
04h	INDAR	Indirect address register



06h	PORT1	Port 1 data register
07h	PORT2	Port 2 data register
0Ah	PCHBUF	Write buffer of Program Counter's bit 10-8
0Bh	INTEN	Interrupt enable register
0Dh	PHVAL	Photo-sensor value register
0Eh	PHSEL	Photo-sensor input select register
0Fh	DMODE	Photo-sensor input mode register
80h	INDR	Addressing this location will use the content of INDAR to address data memory (not a physical address)
81h	PSCON	Prescaler control register
82h	PCL	Program Counter's low byte
83h	STATUS	Status register
84h	INDAR	Indirect address register
86h	PORT1CON	Port 1 direction control register
87h	PORT2CON	Port 2 direction control register
8Ah	PCHBUF	Write buffer of Program Counter's bit 10-8
8Bh	INTEN	Interrupt enable register

Table 4-2 MCU Function Register Summary

INDR (Address 00h/80h)

INDR is not a physical register. Addressing INDR register will cause indirect addressing. Any instruction using the INDF register actually accesses the register pointed by the INDAR register. The indirect addressing method only can be used for general purpose registers.

TIMER (Address 01h, Timer register)

R/W	R/W	R/W	R/W	R/W	R/W	R/W	R/W
TIMER7	TIMER6	TIMER5	TIMER4	TIMER3	TIMER2	TIMER1	TIMER0

The timer starts to count up after power on reset. The TMROF bit at INTEN register will be set when the TIMER register overflows from FFh to 00h. If both TMROEN and GIE bits at INTEN register are set, an interrupt will be generated when TIMER register overflows.

Value on POR: "00000000"

PCL (Address 02h/82h, Program Counter's low byte)

R/W	R/W	R/W	R/W	R/W	R/W	R/W	R/W
PCL7	PCL6	PCL5	PCL4	PCL3	PCL2	PCL1	PCL0

The Program Counter (PC) is 11-bit wide. The low byte comes from the PCL register, which is a readable and writable register. The high byte is not directly readable or writable and comes from PCHBUF. The GL603USB has a 4 level deep x 11-bit wide hardware stack. The stack space is not part of either program or data space and the stack pointer is not readable or writable. The PC is pushed onto the stack when a CALL instruction is executed or an interrupt causes a branch. The stack is popped in the event of a RETIA, RETI or a RET instruction execution. PCHBUF is not affected by a push or pop operation.

When write to PCL command executed, all 3 bits of PCHBUF will be loaded to PC because PCL is only a 8 bits register.

Value on POR: "00000000"

Status (Address 03h, Status register)

		R/W			R/W	R/W	R/W
		BS			ZO	HC	CA

BS: Bank Select. Because only 7 bits (bit 0~bit 6) operand implied by instruction for register address, this bit is used as address bit 7 when register access.

1: Bank 1 (80h-FFh)



0: Bank 0 (00h-7Fh)
 ZO: Zero bit
 1: The result of an arithmetic or logic operation is zero
 0: The result of an arithmetic or logic operation is not zero
 HC: Half Carry/Borrow bit
 1: Carry or not borrow from the 4th low order bit
 0: Borrow or not carry from the 4th low order bit
 CA: Carry/Borrow bit
 1: Carry or not borrow from the most significant bit
 0: Borrow or not carry from the most significant bit
 Value on POR: “- - 0 - - 0 0 0”

INDAR: (Address 04h/84h, Indirect address register)

R/W	R/W	R/W	R/W	R/W	R/W	R/W	R/W
INDAR7	INDAR6	INDAR5	INDAR4	INDAR3	INDAR2	INDAR1	INDAR0

Any instruction using the INDF register actually accesses the register pointed by the INDAR register.
 Value on POR: “x x x x x x x x”^[1]
 Note 1: “x” means unknown

PORT1 (Address 06h, Port 1 data register)

	R/W	R/W	R/W	R/W	R/W	R/W	R/W
	PORT1.6	PORT1.5	PORT1.4	PORT1.3	PORT1.2	PORT1.1	PORT1.0

PORT1 is a 7-bits latch for Port 1.0~Port 1.6. Reading the PORT1 register gets the status of the pins. Writing to it will write to the port latch. All write operations are read-modify-write operations. PORT1CON is used to enable/disable every bits of the port latch. Port 1.5 and Port 1.6 are combined with USB D+ and D- pins and can be used only when USBPS2 bit at MODSEL is cleared. These 2 I/O pins are open drain output and should be external pulled up at PS/2 mode.
 Value on POR: “- x x x x x x x”

PORT2 (Address 07h, Port 2 data register)

R/W	R/W	R/W	R/W	R/W	R/W	R/W	R/W
PORT2.7	PORT2.6	PORT2.5	PORT2.4	PORT2.3	PORT2.2	PORT2.1	PORT2.0

PORT2 is an 8-bits latch for Port 2.0~Port 2.7. Reading the PORT2 register reads the status of the pins. Writing to it will write to the port latch. All write operations are read-modify-write operations. PORT2CON is used to enable/disable every bits of the port latch.
 Value on POR: “x x x x x x x x”

PCHBUF (Address 0Ah/8Ah, Write buffer of Program Counter’s bit 11-8)

				R/W	R/W	R/W	R/W
				PCHBUF3	PCHBUF2	PCHBUF1	PCHBUF0

Write buffer for upper 4-bit of Program Counter. The upper byte of Program Counter is not directly accessible. PCHBUF is a holding register for the PC[11:8] that are transferred to the upper byte of the Program Counter when branch occur. Please see PCL register to get more detail information.
 Value on POR: “- - - - 0 0 0 0”

INTEN (Address 0Bh/8Bh, Interrupt enable register)

R/W		R/W			R/W		
GIE		TMROEN			TMROF		

GIE: Global interrupt enable bit
 1: Enable all interrupts
 0: Disable all interrupts
 TMROEN: Timer overflow interrupt enable bit
 1: Enable timer interrupt



0: Disable timer interrupt

TMROF: Timer overflow interrupt flag bit. This bit should be cleared to '0' by firmware after it is set by hardware.

1: Timer register has overflowed

0: Timer register did not overflow

Value on POR: "0 - 0 - - 0 - -"

PHVAL (Address 0Dh, Photo-sensor value register)

				R/O	R/O	R/O	R/O
				PHVAL3	PHVAL2	PHVAL1	PHVAL0

PHVAL[3:0]: the 8 channel, 4 bits analog-to-digital converter data. The ADC input is select by PHSEL register from Port 2.0~Port 2.7

Bit Value	Analog value
0000	0 V - 5/16 V
0001	5/16 V - 5/8 V
0010	5/8 V - 15/16 V
0011	15/16 V - 5/4 V
0100	5/4 V - 25/16 V
0101	25/16 V - 15/8 V
0110	15/8 V - 35/16 V
0111	35/16 V - 5/2 V
1000	5/2 V - 45/16 V
1001	45/16 V - 25/8 V
1010	25/8 V - 55/16 V
1011	55/16 V - 15/4 V
1100	15/4 V - 65/16 V
1101	65/16 V - 75/16 V
1110	75/16 V - 5V
1111	5V

Value on POR: "- - - - x x x x"

PHSEL (Address 0Eh, Photo-sensor analog input select register)

					R/W	R/W	R/W
					PHSEL2	PHSEL1	PHSEL0

PHSEL[2:0]: The selection register for 8 channel 4 bits, ADC.

Bit Value	Source pin of the ADC
000	PORT2.0
001	PORT2.1
010	PORT2.2
011	PORT2.3
100	PORT2.4
101	PORT2.5
110	PORT2.6
111	PORT2.7

Value on POR: "- - - - - x x x"

DMODE (Address 0Fh, Photo-sensor input mode register)

R/W	R/W	R/W	R/W	R/W	R/W	R/W	R/W
DMODE7	DMODE6	DMODE5	DMODE4	DMODE3	DMODE2	DMODE1	DMODE0

DMODE[7:0]: Individual enabler for Port 2.7~Port 2.0 input buffer.

1: Indicate the corresponding pin on Port 2 can be used in input mode. This pin can be selected with PHSEL and firmware can get its state from PHVAL also.



0: Indicate the corresponding pin on Port 2 cannot be used in input mode. But even firmware cannot read this pin directly from Port 2 directly, this pin can be selected with PHSEL and firmware can get its state from PHVAL also.
 Value on POR: “00000000”

PSCON (Address 81h, Prescaler control register)

				R/W	R/W	R/W	R/W
				PSDIS	PS2	PS1	PS0

PSDIS: Prescaler disable bit
 1: Set prescaler disable
 0: Set prescaler enable

PS[2:0]: Prescaler rate select bits. These bits are used to control timer speed. The following table means that how many instruction cycles the TIMER register should be added by 1 when PSDIS = 0.

Bit Value	Timer Rate (PSDIS = 0)
000	1:2
001	1:4
010	1:8
011	1:16
100	1:32
101	1:64
110	1:128
111	1:256

Value on POR: “----1111”

PORT1CON (Address 86h, Port 1 direction control register)

	R/W	R/W	R/W	R/W	R/W	R/W	R/W
	P1CON6	P1CON5	P1CON4	P1CON3	P1CON2	P1CON1	P1CON0

There is a data direction control bit to match every pin of Port 1. The direction control bits can configure these pins as output or input. Setting a PORT1CON register bit put the corresponding output driver in a hi-impedance mode. Clearing a bit in the PORT1CON register puts the contents of the output latch on the selected pin.

Except to control PORT1.1 output driver, a special function is applied to P1CON1. Clock generator in GL603USB can be enabled only when P1CON1 is cleared. When a 6 MHz crystal or resonator is used and P1CON1 is set, GL603USB cannot running on 12 MHz, even if clock generator is enabled by code option.

Value on POR: “-1111111”

PORT2CON (Address 87h, Port 2 direction control register)

R/W	R/W	R/W	R/W	R/W	R/W	R/W	R/W
P2CON7	P2CON6	P2CON5	P2CON4	P2CON3	P2CON2	P2CON1	P2CON0

There is a data direction control bit to match every pin of Port 2. The direction control bits can configure these pins as output or input. Setting a PORT2CON register bit put the corresponding output driver in a hi-impedance mode. Clearing a bit in the PORT2CON register puts the contents of the output latch on the selected pin.

Value on POR: “11111111”

4.4 FULL-RANGE DETECTION AND ANALOG-TO-DIGITAL CONVERTER



The GL603USB provides the unique “Full-Range Detection” ability. Over 95% of PC mouse market adopts photo-sensor system to detect the mechanical movement of the roller inside the mouse. Because the sensors may have varied characteristic on their output DC voltage level and output moving range, the mouse manufacturers can’t avoid the expensive process of matching LED and photo-sensor. By providing those photo-input pins with full-range detection function, the mouse makers can ignore the range difference between those sensors, so the manufacturing procedure is simple and a huge cost is saved on the manufacturing line.

By detecting the output signal came from the sensors, Genesys Logic’s patented algorithm could learn the tiny difference of every signal and automatically adjust the threshold for the sensors without any side effect. This new outstanding design can help the manufacturers decrease their inconvenience on mass -production line and cut their human and mechanical cost tremendously.

There’s a 4-bit Analog-to-Digital Converter (ADC) module in the GL603USB. The input signal of ADC can be connected to Port 2.0 ~ Port 2.7. When these I/O pins is used for analog input, the corresponding bits in DMODE register should be set to 0 to disable input buffer of Port 2. This can save power consumed by the pad of Port 2. The PHSEL register is used to select which input connected to the ADC and the PHVAL register is used to store the digital value converted by the ADC. The Genesys Logic’s proprietary algorithm can detect any analog waveform from photo-sensor with amplitude larger than 1V. The ADC is a high-speed converter. It takes less than 500ns to complete the conversion. Because GL603USB is running at 3 MIPS for USB low speed application, only two dummy instructions should be added between write PHSEL to read PHVAL.

4.5 CLOCK GENERATOR

The GL603USB build in a clock generator circuit to generate the 12 MHz clock for micro-controller and 6 MHz clock for USB engine use. The clock generator is enabled only when bit 1 of PORTCON1 is cleared. With the clock generator, we can only use a 6 MHz ceramic resonator or crystal to reduce EMI. The clock generator can be disabled by code option. When the clock generator is disabled, the 6 MHz clock is used by micro-controller and USB engine directly. When 12 MHz resonator or crystal is used, the 12 MHz clock is directly used by micro-controller and divided by 2 before used by USB engine. The clock division can be programmed by another code option when 12 MHz ceramic resonator or crystal is used.

4.6 GENERAL PURPOSE I/O PORTS

Interface with peripherals is conducted via up to 15 GPIO signals. These 15 signals are divided into two ports: Port 1 and Port 2. Port 1 contains seven lines (PORT1.0-PORT1.6) and Port 2 contains eight lines (PORT2.0-PORT2.7). The Port 1 data register is located at data memory address 06h while the Port 2 data register is located at data memory address 07h.

Port 2 is a low current port with analog input capability suitable for connecting photo-sensor. Port 1 is a high current port capable of LED drive. PORT1.5 and PORT1.6 (which is combined with USB D+/D-) are open drain output. Therefore, they can only drive low at output mode and external pulled up resistor should be added. This is enough for PS/2 CLK and DATA. Except these 2 GPIO lines, each GPIO line may include an internal pull-up or pull-down resistor. Port 2’s internal pull-down resistor value can be programmed by option-code. Each output drive has slew-rate control to reduce EMI. Please see the following table for details.

	Driving capability	Pull-up resistor	Pull-down resistor
PORT1.0	20 mA		
PORT1.1	20 mA		
PORT1.2	4 mA	10KΩ	

PORT1.3	4 mA	10K Ω	
PORT1.4	4 mA	10K Ω	
PORT1.5	4 mA (open drain)		
PORT1.6	4 mA (open drain)		
PORT2.0	4 mA		4K Ω /8K Ω /16K Ω /32K Ω ^[1]
PORT2.1	4 mA		4K Ω /8K Ω /16K Ω /32K Ω
PORT2.2	4 mA		4K Ω /8K Ω /16K Ω /32K Ω
PORT2.3	4 mA		4K Ω /8K Ω /16K Ω /32K Ω
PORT2.4	4 mA		4K Ω /8K Ω /16K Ω /32K Ω
PORT2.5	4 mA		4K Ω /8K Ω /16K Ω /32K Ω
PORT2.6	4 mA		4K Ω /8K Ω /16K Ω /32K Ω
PORT2.7	4 mA		4K Ω /8K Ω /16K Ω /32K Ω

Note 1: The pull-down resistor can be configured as 4K Ω , 8K Ω , 16K Ω or 32K Ω by option-code.

Table 4-3 General Purpose I/O Port Summary

4.7 TIMER INTERRUPT

The Timer Interrupt is generated when the TIMER register overflows from FFh to 00h. This overflow sets bit TMROF (INTEN<2>). The interrupt can be masked by clearing bit TMROEN (INTEN<5>). Bit TMROF must be cleared in software by the Timer module interrupt service routine otherwise the Timer Interrupt will not be generated again. If prescaler is disabled, the timer register will increase every instruction cycle. If prescaler is enabled, its increment cycle depends on PS0~PS2 bits in PSCON register.

4.8 USB ENGINE

The USB module contains three functional blocks: a 3.3-volt regulator, a low-speed USB transceiver, and the Serial Interface Engine (SIE). The USB module is only enabled under USB mode. While the mouse is working under PS/2 mode, the USB module is disabled and D+/D- working as open drain GPIO pins. The following details the function of the regulator, transceiver, and SIE.

4.8.1 Voltage Regulator

The USB data lines are required by the USB specification to have a maximum output voltage between 2.8V and 3.6V. Because the GL603USB is a low speed USB device, the D- lines also are required to have an external 1.5-k Ω pull-up resistor connected between a data line and a voltage source between 3.0 V and 3.6 V. Since the power provided by the USB cable is specified to be between 4.4V and 5.0V, an on-chip regulator is used to drop the voltage to the appropriate level for sourcing the USB transceiver and external pull-up resistor. An output pin driven by the regulator is provided to source the 1.5-k Ω external resistor.

4.8.2 USB Transceiver

The USB transceiver provides the physical interface to the USB D+ and D- data lines. The transceiver is composed of two parts: an output driver circuit and a receiver.

The USB transceiver uses a differential output driver to driver the USB data signal onto the USB cable. The static output swing of the driver in its low state is below the V_{OL} of 0.3V with 1.5-k Ω load to 3.6V and in its high state is above the V_{OH} of 2.8V with 15-k Ω load to ground. The output swings between the differential high and low state are well balanced to minimize signal skew. Slew rate control on the driver is used to minimize the radiated noise and cross talk. The driver's outputs support 3-state operation to achieve bi-directional half-duplex operation. The driver can tolerate a voltage on the signal pins of -0.5V to 3.8V with respect to local ground reference without damage.

The rise and fall time of the signals on this cable are greater than 75ns to keep RFI (radio frequency interference) emissions under FCC (Federal Communications Commission) class B limits and less than 300ns to limit timing delays, signaling skews, and distortions. The driver reaches the specified static signal levels with smooth rise and fall times, and minimal reflections and ringing when driving the cable. This driver is used only on segments between low-speed devices and the ports to which they are connected.

USB data transmission is done with differential signals. A differential input receiver is used to accept the USB data signal. A differential 1 on the bus is represented by D+ being at least 200mV more positive than D- as seen at the receiver, and a differential 0 is represented by D- being at least 200mV more positive than D+ as seen at the receiver. The signal cross over point must be between 1.3V and 2.0V.

The receiver features an input sensitivity of 200mV when both differential data inputs are in the range of 0.8V and 2.5V with respect to the local ground reference. This is called the common mode input voltage range. Proper data reception also is achieved when the differential data lines are outside the common mode range. The receiver can tolerate static input voltage between -0.5V to 3.8V with respect to its local ground reference without damage. In addition to the differential receiver, there is a single-ended receiver for each of the two data lines.

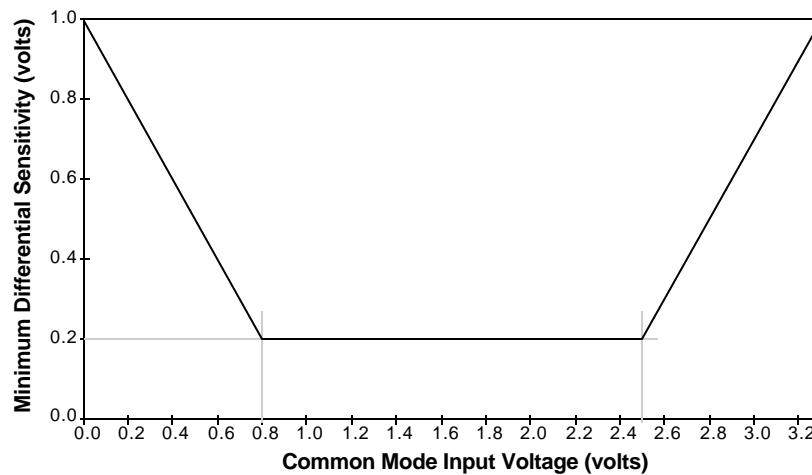


Figure 4-3 Differential Input Sensitivity over Entire Common Mode Range

The data receivers for all types of devices must be able to properly decode the differential data in the presence of jitter. The more of the bit time that any data edge can occupy and still be decoded, the more reliable the data transfer will be. Data receivers are required to decode differential data transitions that occur in a window plus and minus a nominal quarter bit time from the nominal (centered) data edge position. Jitter will be caused by the delay mismatches and by mismatches in the source and destination data rates (frequencies).

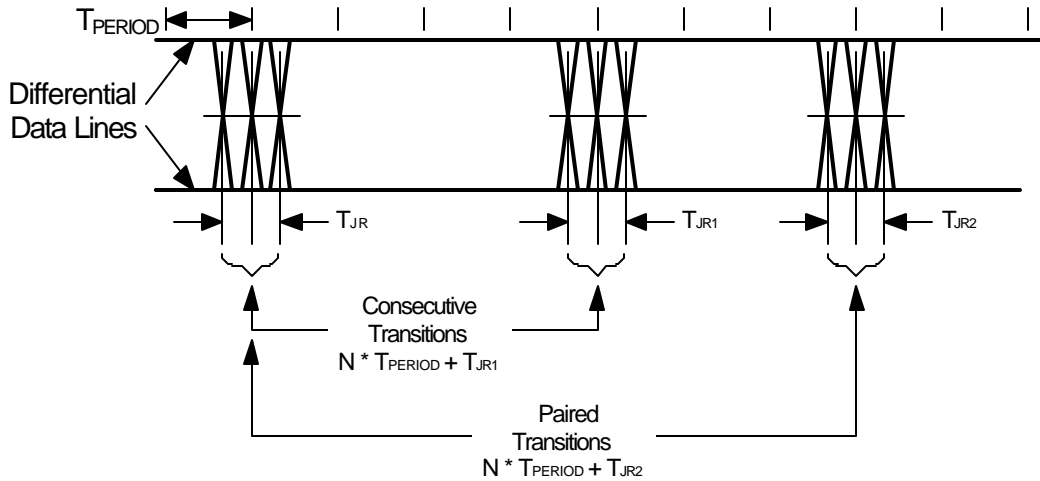


Figure 4-4 Receiver Jitter Tolerance

The source of data can have some variation (jitter) in the timing of edges of the data transmitted. The time between any set of data transitions is $N * T_{Period} \pm$ jitter time, where N is the number of bits between the transitions and T_{Period} is defined as the actual period of the data rate. The data jitter is measured with the same capacitive load used for maximum rise and fall times and is measured at the crossover points of the data lines.

For low-speed transmissions, the jitter time for any consecutive differential data transitions must be within ± 25 ns and within ± 10 ns for any set of paired differential data transitions. These jitter numbers include timing variations due to differential buffer delay, rise/fall time mismatches, internal clock source jitter, noise and other random effects.

The output rise time and fall time are measured between 10% and 90% of the signal. Edge transition time for the rising and falling edges of low-speed signals is 75ns (minimum) into a capacitive load (C_L) of 50pF and 300ns (maximum) into a capacitive load of 350pF. The rising and falling edges should be transitioning (monotonic) smoothly when driving the cable to avoid excessive EMI.

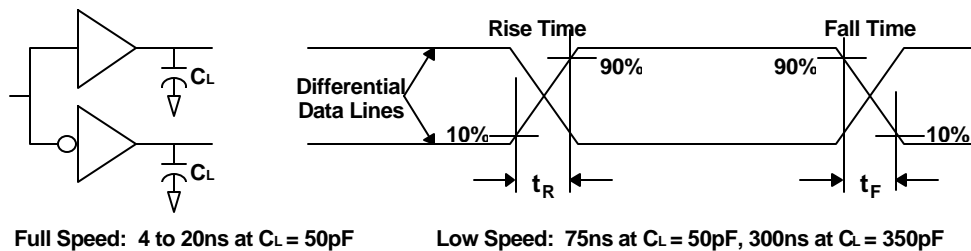


Figure 4-5 Data Signal Rise and Fall Time

4.8.3 Serial Interface Engine (SIE)

The SIE manages data movement between the CPU and the transceiver. The SIE handles both transmit and receive operations on the USB. It contains the logic used to manipulate the transceiver and the endpoint registers.



The byte count buffer is loaded from TXCNT(TXCTL0<3~0>) during endpoint 0 transmit operations. This same buffer is used for receive transactions to count the number of bytes received at endpoint 0 and, upon the end of transaction, transfer the value to RXCNT(RXCTL0<3~0>).

When transmitting, the SIE handles parallel-to-serial conversion, CRC generation, NRZI encoding, and bit stuffing. When receiving, the SIE handles sync detection, packet identification, end-of-packet detection, bit (un)stuffing, NRZI decoding, CRC validation, and serial-to-parallel conversion. Errors detected by the SIE include bad CRC, timeout while waiting for EOP, and bit stuffing violations.

All USB devices are required to have an endpoint 0 that is used to initialize and manipulate the device. Endpoint 0 provides access to the device’s configuration information and allows generic USB status and control accesses. Endpoint 0 can receive and transmit data. Both receive and transmit data share the same 8-byte Endpoint 0 FIFO, FFDAT0. Received data may overwrite the data previously in the FIFO.

Endpoint 1 is of transmit only. This endpoint is used to transmit HID report data to host.

4.9 INSTRUCTION SET SUMMARY

4.9.1 Operand Field Descriptions

Field	Description
r	Register address
A	Accumulator
i	Immediate data
b	Bit address within a 8-bit register

4.9.2 Instruction Set

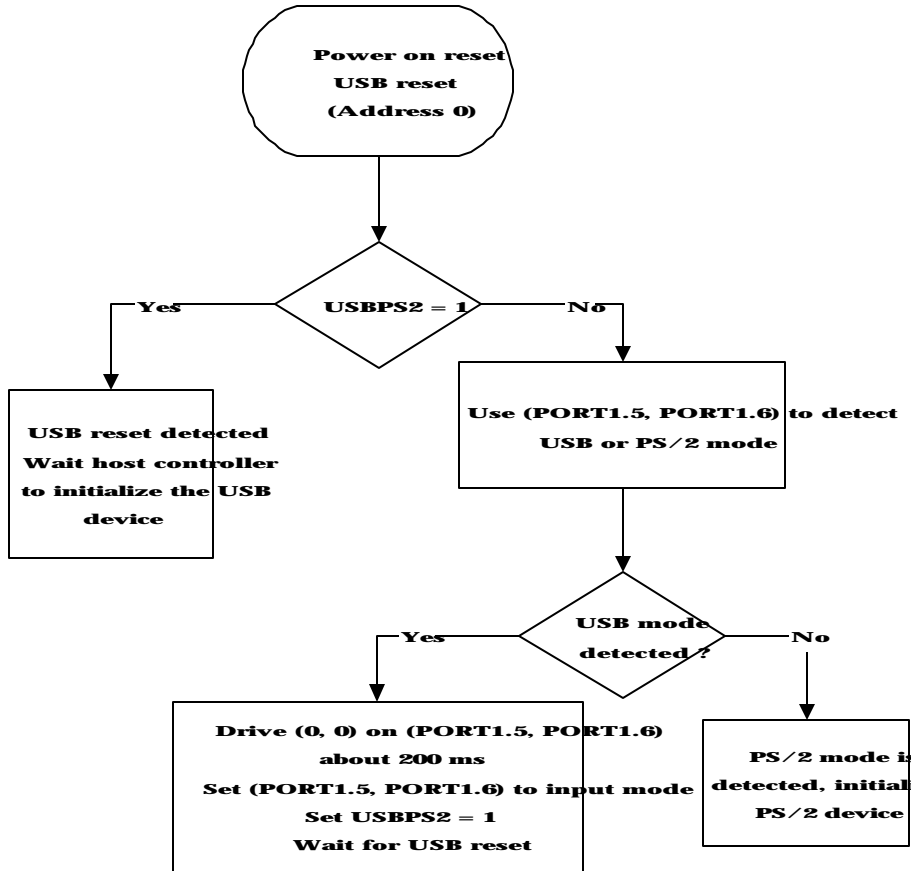
Mnemonic, Operands	Description	Cycles	Flags Affected
Arithmetic Operations			
ADDAR r, A	Add r and A, $r \leftarrow r + A$	1	CA, HC, ZO
ADDAR A, r	Add A and r, $A \leftarrow A + r$	1	CA, HC, ZO
ADDAI i	Add A and i, $A \leftarrow A + i$	1	CA, HC, ZO
INCR r	Increment r, $r \leftarrow r + 1$	1	ZO
INCR A, r	Increment r, $A \leftarrow r + 1$	1	ZO
INCRSZ r	Increment r, $r \leftarrow r + 1$, skip if (r = 0)	1 or 2	
INCRSZ A, r	Increment r, $A \leftarrow r + 1$, skip if (A = 0)	1 or 2	
SUBAR r, A	Subtract A from r, $r \leftarrow r - A$	1	CA, HC, ZO
SUBAR A, r	Subtract A from r, $A \leftarrow r - A$	1	CA, HC, ZO
SUBIA i	Subtract A from i, $A \leftarrow i - A$	1	CA, HC, ZO
DECR r	Decrement r, $r \leftarrow r - 1$	1	ZO
DECR A, r	Decrement r, $A \leftarrow r - 1$	1	ZO
DECRSZ r	Decrement r, $r \leftarrow r - 1$, skip if (r = 0)	1 or 2	
DECRSZ A, r	Decrement r, $A \leftarrow r - 1$, skip if (A = 0)	1 or 2	
CLRR r	Clear r, $r \leftarrow 0$	1	ZO
CLRA	Clear A, $A \leftarrow 0$	1	ZO
NOP	No operation	1	
Logical Operations			



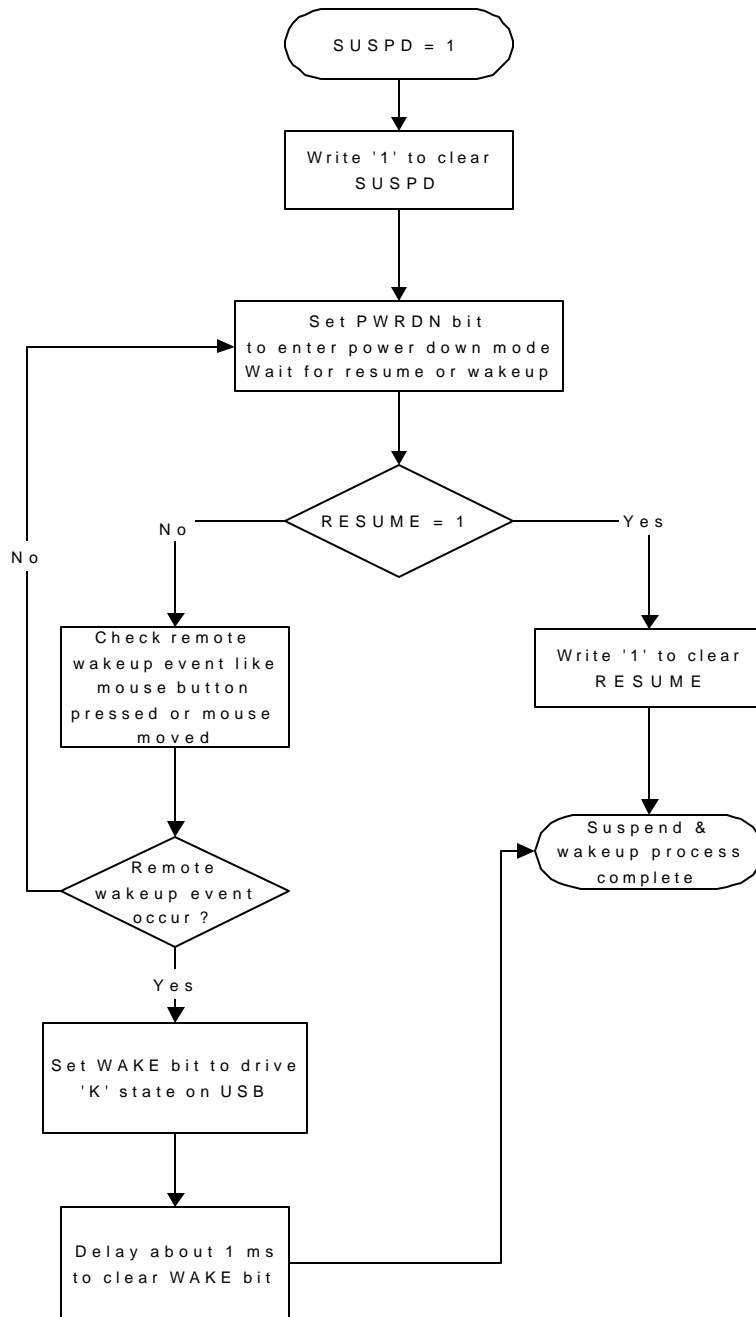
ANDAR r, A	And r and A, $r \leftarrow r \& A$	1	ZO
ANDAR A, r	And A and r, $A \leftarrow A \& r$	1	ZO
ANDAI i	And A and i, $A \leftarrow A \& i$	1	ZO
CMPR r	Complement r, $r \leftarrow r \wedge FF$	1	ZO
CMPR A, r	Complement r, $A \leftarrow r \wedge FF$	1	ZO
ORAR r, A	Inclusive OR r with A, $r \leftarrow r A$	1	ZO
ORAR A, r	Inclusive OR A with r, $A \leftarrow A r$	1	ZO
ORIA i	Inclusive OR i with A, $A \leftarrow A i$	1	ZO
XORAR r, A	Exclusive OR r with A, $r \leftarrow r \wedge A$	1	ZO
XORAR A, r	Exclusive OR A with r, $A \leftarrow A \wedge r$	1	ZO
XORIA i	Exclusive OR i with A, $A \leftarrow A \wedge i$	1	ZO
Bit-wise Operations			
BCR r, b	Bit clear r, $r.b \leftarrow 0$	1	
BSR r, b	Bit set r, $r.b \leftarrow 1$	1	
BTRSC r, b	Bit test r, skip if ($r.b = 0$)	1 or 2	
BTRSS r, b	Bit test r, skip if ($r.b = 1$)	1 or 2	
Data Movement Operations			
MOV r, A	Move A into r, $r \leftarrow A$	1	
MOV A, r	Move r into A, $A \leftarrow r$	1	ZO
MOVIA i	Move i into A, $A \leftarrow i$	1	
Shift Operations			
SWAPR r	Swap high and low nibbles in r	1	
SWAPR A, r	Swap high and low nibbles in r, result put into A	1	
RLR r	Rotate r left through C	1	CA
RLR A, r	Rotate r left through C, $(C, A) \leftarrow (r, C)$	1	CA
RRR r	Rotate r right through C	1	CA
RRR A, r	Rotate r right through C, $(A, C) \leftarrow (C, r)$	1	CA
Control Transfer Operations			
CALL i	Call subroutine	2	
JUMP i	Jump to address	2	
RETIA	Return and load i to A	2	
RETI	Return from interrupt	2	
RET	Return from subroutine	2	

5 Firmware Programming Guide

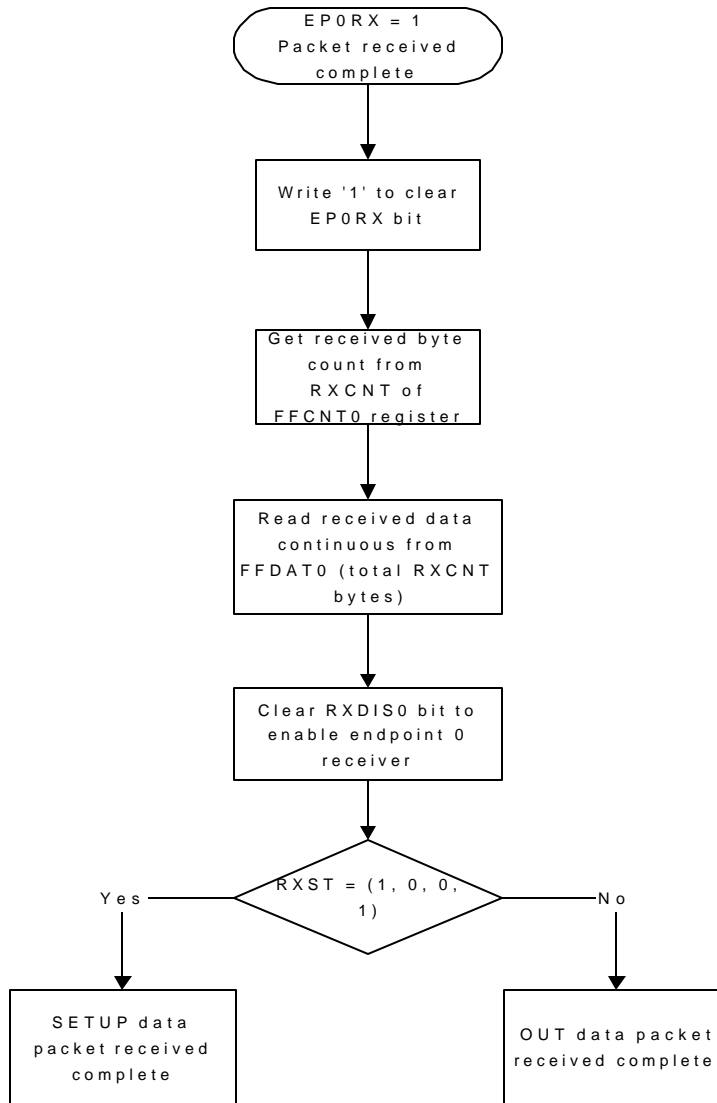
5.1 USB Power On Reset and Bus Reset Initialization



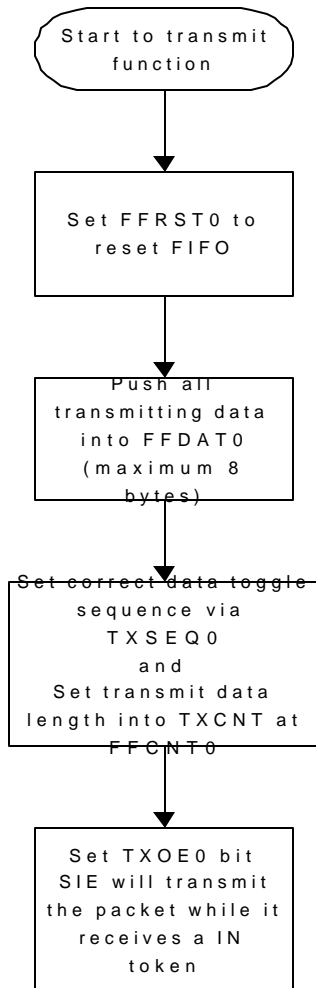
5.2 Suspend/Resume/Wakeup



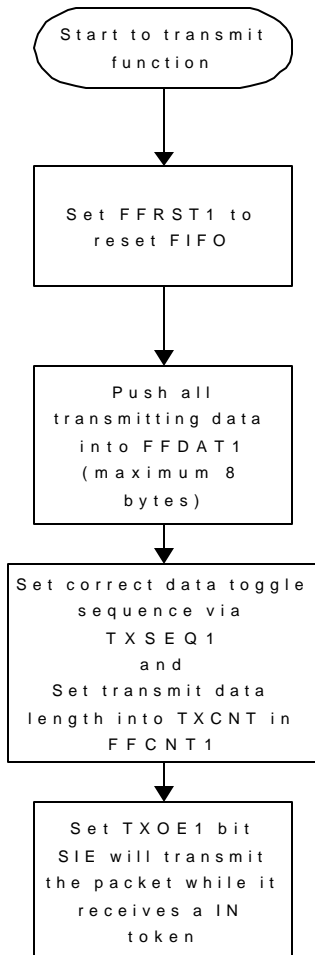
5.3 Receive Packet via Endpoint 0



5.4 Transmit Packet via Endpoint 0



5.5 Transmit Packet via Endpoint 1



5.6 Timer Interrupt

Because CPU may enter timer interrupt routine at any time, the timer interrupt routine should backup all special registers at its entry point and restore them before return.

```
(Address 0x004)
TIMER_ENTRY:  MOV      A_TEMP, A
              SWAPR   A, STATUS
              BCR     STATUS, BS
              MOV     S_TEMP, A
              MOV     A, INDAR
              MOV     I_TEMP, A
              ;
              ; Execute interrupt service routine
              ;
              MOV     A, I_TEMP
              MOV     INDAR, A
              SWAPR  A, S_TEMP
              MOV     STATUS, A
              SWAPR  A_TEMP
              SWAPR  A, A_TEMP
              BCR    INTEN, TMROF
              RETI
```

5.7 Conditional Branch

Example: Conditional branch can be according to value of Accumulator. Firmware can use this method to return value for lookahead table. Because Accumulator is only 8 bits wide, the higher 3 bits of Program Counter should be load into PCHBUF before the conditional branch executed.

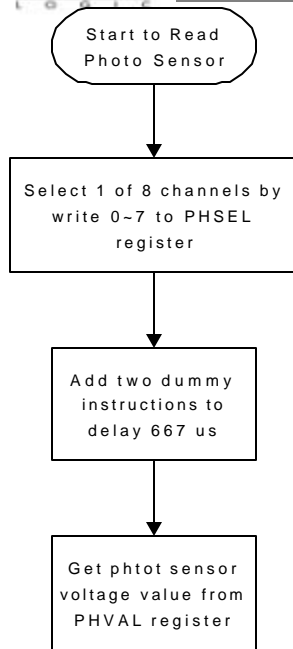
```
(Address 0x540)
LOOKAHEAD:  MOVIA   0x05
            MOV     PCHBUF, A
            MOVIA  LOOKAHEAD_VAL
            ADDAR  PCL, A
            RETIA  0           ; Acc = 0
            RETIA  1           ; Acc = 1
            RETIA  2           ; Acc = 2
            .
            .
            .
```

5.8 Change Register Bank

Usually keeps BS = 0. If firmware want to access register address 0x80 to 0x8F, set BS = 1. After process register address 0x80 to 0x8F complete, clear BS = 0 to address 0x00 to 0x7F.

```
BSR      STATUS, BS
MOV      PORT1CON, A
BCR      STATUS, BS
```

5.9 Read Photo Sensor Input



6 ABSOLUTE MAXIMUM RATINGS

Maximum ratings are the extreme limits to which the micro-controller can be exposed without permanently damaging it. The micro-controller contains circuitry to protect the inputs against damage from high static voltages; however, do not apply voltages higher than those shown in the table. Keep V_{IN} and V_{OUT} within the range $GND \leq (V_{IN} \text{ or } V_{OUT}) \leq V_{CC}$. Connect unused inputs to the appropriate voltage level, either GND or V_{DD} .

Symbol	Characteristic	Value	Unit
T_{STG}	Storage temperature	-55 to +150	°C
T_{OP}	Operating temperature	0 to +70	°C
V_{CC}	Supply voltage	-0.5 to +7.0	V
V_{IN}	DC input voltage	-0.5 to + V_{DD} + 0.5	V
I	Maximum current per pin excluding V_{DD} and V_{SS}	25	mA
I_{MGND}	Maximum current out of GND	100	mA
I_{MVCC}	Maximum current out of V_{CC}	100	mA
V_{ESD}	Static discharge voltage	>4000	V

7 ELECTRICAL CHARACTERISTICS

$F_{OSC} = 6\text{MHz}$; Operating Temperature = 0 to 85°C; $V_{CC} = 4.4$ to 5.5V

Symbol	Characteristic	Min	Max	Units	Conditions
General					
I_{CC}	Operating supply current		20	mA	
I_{SB}	Supply current – suspend mode		360	µA	See note 1
USB Interface					
V_{OH}	Static output high	2.8	3.6	V	R_L of 15KΩ to GND
V_{OL}	Static output low		0.3	V	R_L of 15KΩ to V3.3
V_{DI}	Differential input sensitivity	0.2		V	$ (D+) - (D-) $
V_{CM}	Differential common mode range	0.8	2.5	V	Include V_{DI} range
V_{SE}	Single ended receiver threshold	0.8	2.0	V	
I_{LO}	Hi-Z state data line leakage	-10	+10	V	$0V < V_{IN} < 3.3V$
V3.3	Regulator supply voltage	3.0	3.6	V	$I_L = 4\text{mA}$
GPIO Interface					
R_{UP}	PORT2.2-4 pull-up resistance	68	120	KΩ	
R_{DOWN}	PORT1.0-7 pull-down resistance	4	32	KΩ	Code option
V_{OH1}	Static output high for PORT1.2-4, PORT2.0-7	2.4		V	$V_{CC} = 5V$; $I_{OH} = 4\text{mA}$
V_{OL1}	Static output low for PORT1.2-4, PORT2.0-7		0.4	V	$V_{CC} = 5V$; $I_{OL} = 4\text{mA}$
V_{OH2}	Static output high for PORT1.0-1	2.4		V	$V_{CC} = 5V$; $I_{OH} = 20\text{mA}$
V_{OL2}	Static output low for PORT1.0-1		0.4	V	$V_{CC} = 5V$; $I_{OL} = 20\text{mA}$
V_{IH}	Static input high	2.0		V	$V_{CC} = 5V$



GL603USB/GL603USB-A/GL603USB-B

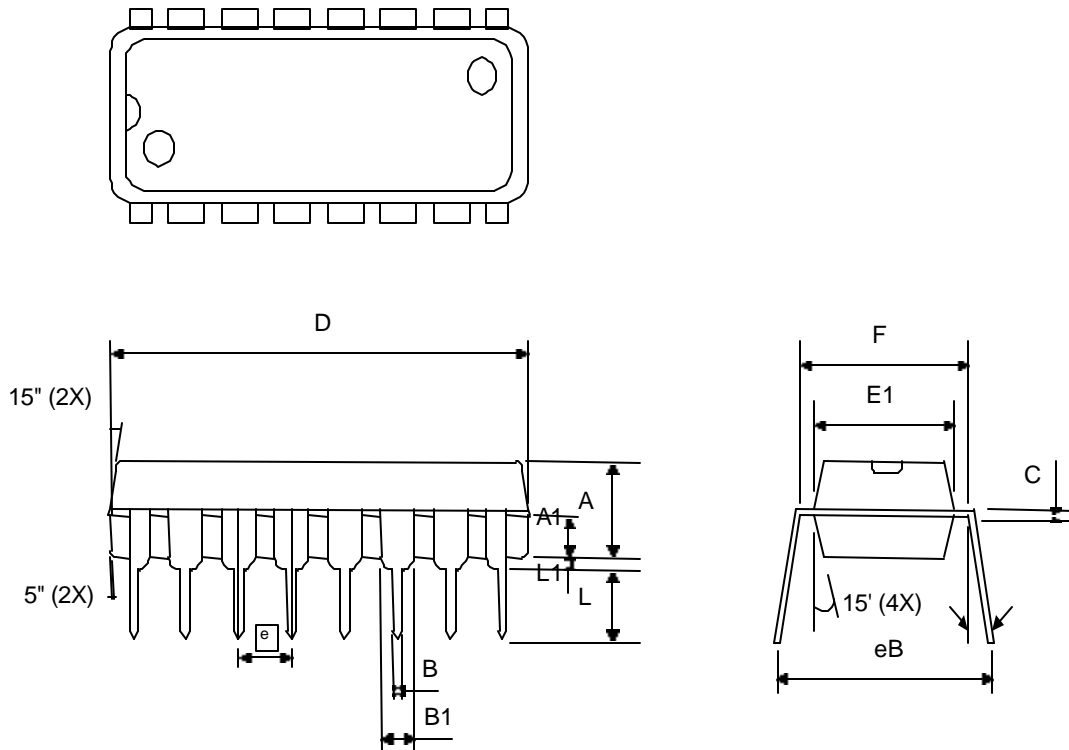
V _{IL}	Static input low		0.9	V	V _{CC} = 5V
I _{SINK1}	Sink current for PORT1.2-4, PORT2.0-7	4		mA	V _{OUT} = 0.4V;
I _{SINK2}	Sink current for PORT1.0-1	20		mA	V _{OUT} = 0.4V;
I _{IN}	Input leakage current	-1	+1	μA	V _{OUT} = 0V or V _{CC}
USB Low-speed Source					
f _{OP}	Internal operating frequency	1.5	1.5	MHz	
	Transition time				
t _R	Rise time	75		ns	C _L = 50pF
			300	ns	C _L = 350pF
t _F	Fall time	75		ns	C _L = 50pF
			300	ns	C _L = 350pF
t _{RFM}	Rise/Fall time matching	80	120	%	t _R / t _F
V _{CRS}	Output signal crossover voltage	1.3	2.0	V	
t _{DRATE}	Low speed data rate	1.4775 676.8	1.5225 666.0	Mbs ns	1.5Mbs ± 1.5%
	Source differential driver jitter				
t _{UDJ1}	To next transition	-25	25	ns	C _L = 350pF measured at crossover point
t _{UDJ2}	For paired transition	-10	10	ns	
	Receiver data jitter tolerance				
t _{DJR1}	To next transition	-75	75	ns	C _L = 350pF measured at crossover point
t _{DJR2}	For paired transition	-45	45	ns	
t _{EOP}	Source EOP width	1.25	1.50	μs	Measured at crossover point
t _{DEOP}	Differential to EOP transition skew	-40	100	ns	Measured at crossover point
	Receiver EOP width				
t _{EOPR1}	Must reject as EOP	330		ns	Measured at crossover point
t _{EOPR2}	Must accept	675		ns	

Notes:

1. I_{SB} measured with USB in suspend mode; using external square wave clock source (F_{OSC} = 6MHz); transceiver pull-up resistor of 1.5KΩ between V3.3 and D- and 15KΩ termination resistors on D+ and D- pins; no port pins sourcing current. The I_{SB} value is including power consumed by external resistors.

8 PACKAGE DIAGRAMS

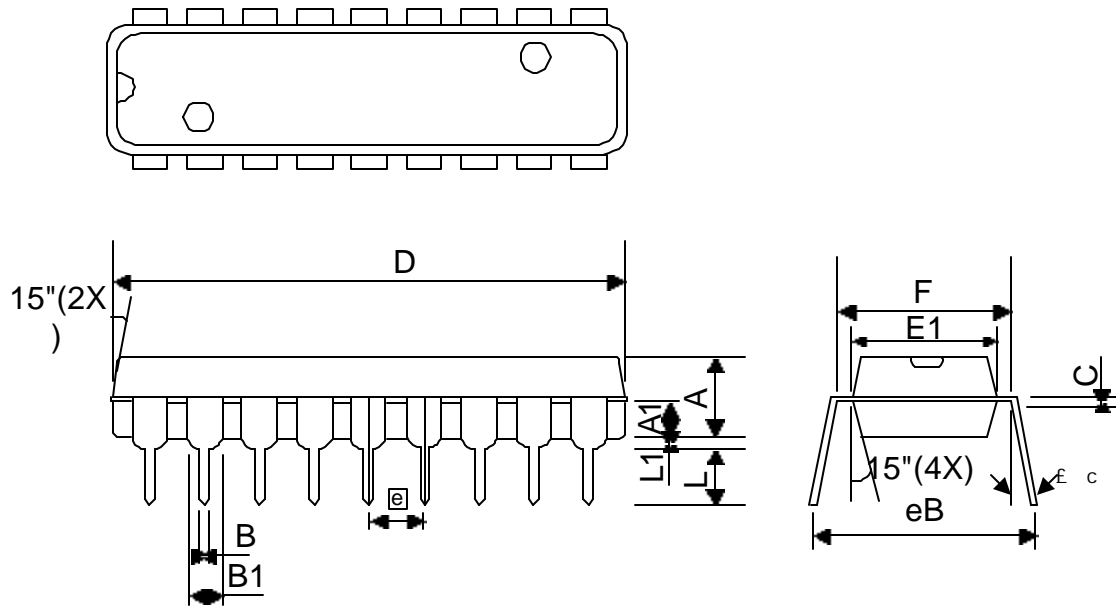
8.1 16-pin P-DIP



Symbol	Dimension in mil			Dimension in mm		
	Min	Nom	Max	Min	Nom	Max
A	--	130	--	--	3.302	--
A1	59	60	61	1.499	1.524	1.549
B	--	18	--	--	0.457	--
B1	--	60	--	--	1.524	--
C	--	10	--	--	0.254	--
D	740	750	760	18.796	19.050	19.304
E1	259	260	--	6.579	6.604	--
F	290	300	310	7.366	7.620	7.874
L	--	130	--	--	3.302	--
L1	--	20	--	--	0.508	--
e	--	100	--	--	2.540	--
EB	345	355	365	8.763	9.017	9.271
θ	4°	5.5°	7°	4°	5.5°	7°

Figure 8-1 Package outline dimension for 16-pin P-DIP

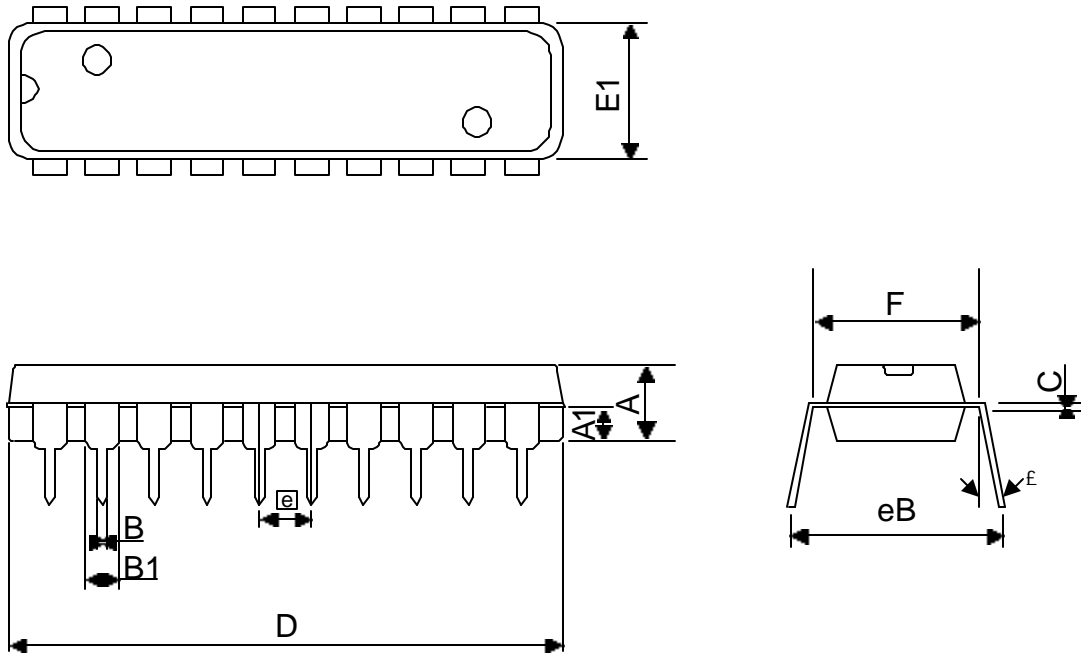
8.2 18-pin P-DIP



Symbol	Dimension in mils			Dimension in mils		
	Min	Nom	Max	Min	Nom	Max
A	--	130	--	--	3.302	--
A1	59	60	61	1.499	1.524	1.549
B	--	18	--	--	0.457	--
B1	--	60	--	--	1.524	--
C	--	10	--	--	0.254	--
D	890	900	910	22.606	22.860	23.114
E1	259	260	--	6.579	6.604	--
F	290	300	310	7.366	7.620	7.874
L	--	130	--	--	3.302	--
L1	--	20	--	--	0.508	--
e	--	100	--	--	2.540	--
eB	345	355	365	8.763	9.017	9.271
	4°	5.5°	7°	4°	5.5°	7°

Figure 8-2 Package outline dimension for 18-pin P-DIP

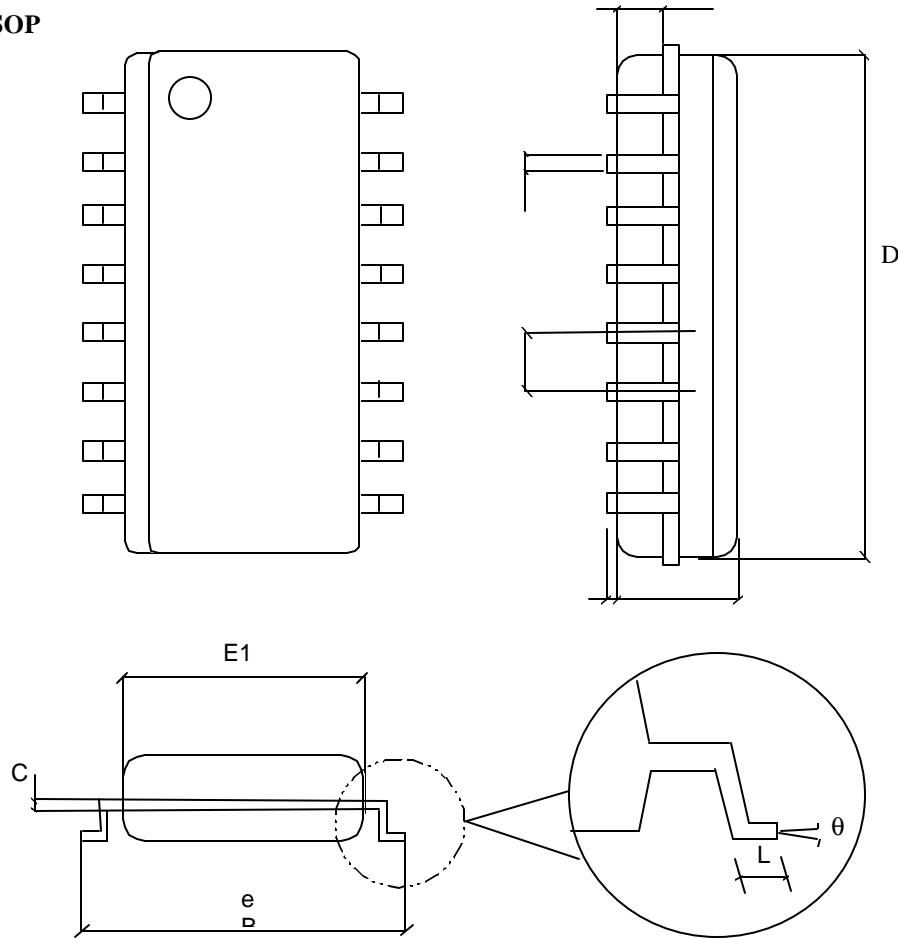
8.3 20-pin P-DIP



Symbol	Dimension in mil			Dimension in mm		
	Min	Nom	Max	Min	Nom	Max
A	--	130	--	--	3.302	--
A1	59	60	61	1.499	1.524	1.549
B	--	18	--	--	0.457	--
B1	--	60	--	--	1.524	--
C	--	10	--	--	0.254	--
D	1015	1025	1035	25.781	26.035	26.289
E1	259	260	--	6.579	6.604	--
F	290	300	310	7.366	7.620	7.874
e	--	100	--	--	2.540	--
eB	345	355	365	8.763	9.017	9.271
θ	4°	5.5°	7°	4°	5.5°	7°

Figure 8-3 Package outline dimension for 20-pin P-DIP

8.4 16-pin SOP



Symbol	Dimension in mils			Dimension in mm		
	Min	Nom	Max	Min	Nom	Max
A	---	58	---	---	1.473	---
A1	6	---	---	0.152	---	---
A2	---	24	---	---	0.610	---
B	---	16	---	---	0.406	---
C	---	8	---	---	0.203	---
D	388	390	392	9.855	9.906	9.957
E1	152	154	156	3.861	3.912	3.962
e	---	50	---	---	1.270	---
eB	---	238	---	---	6.045	---
L	25	---	---	0.635	---	---
theta	0°	3°	6°	0°	3°	6°

Figure 8-4 Package outline dimension for 16-pin SOP

8.5 18-pin SOP

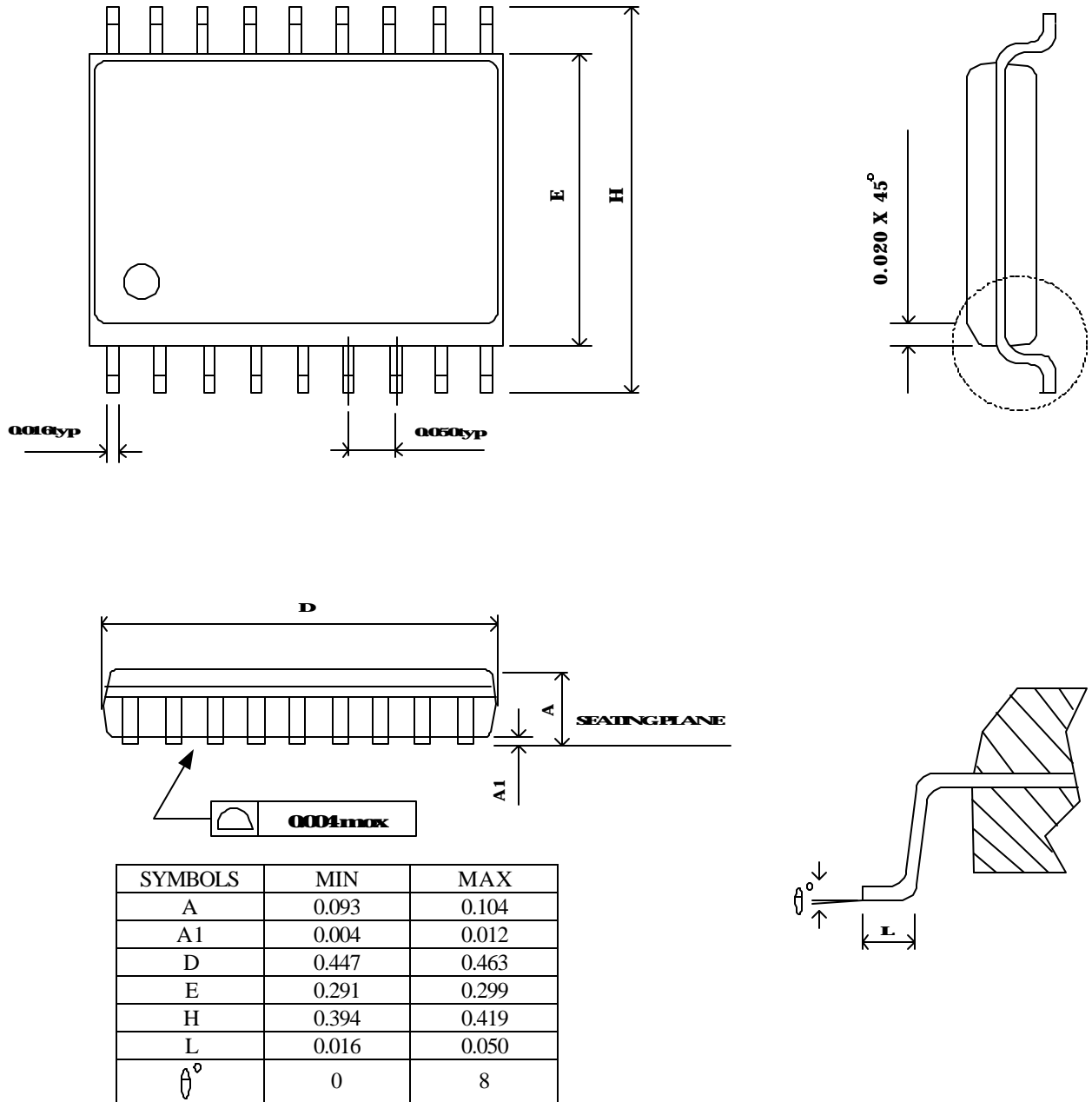


Figure 8-5 Package outline dimension for 18-pin SOP

8.6 20-pin SOP

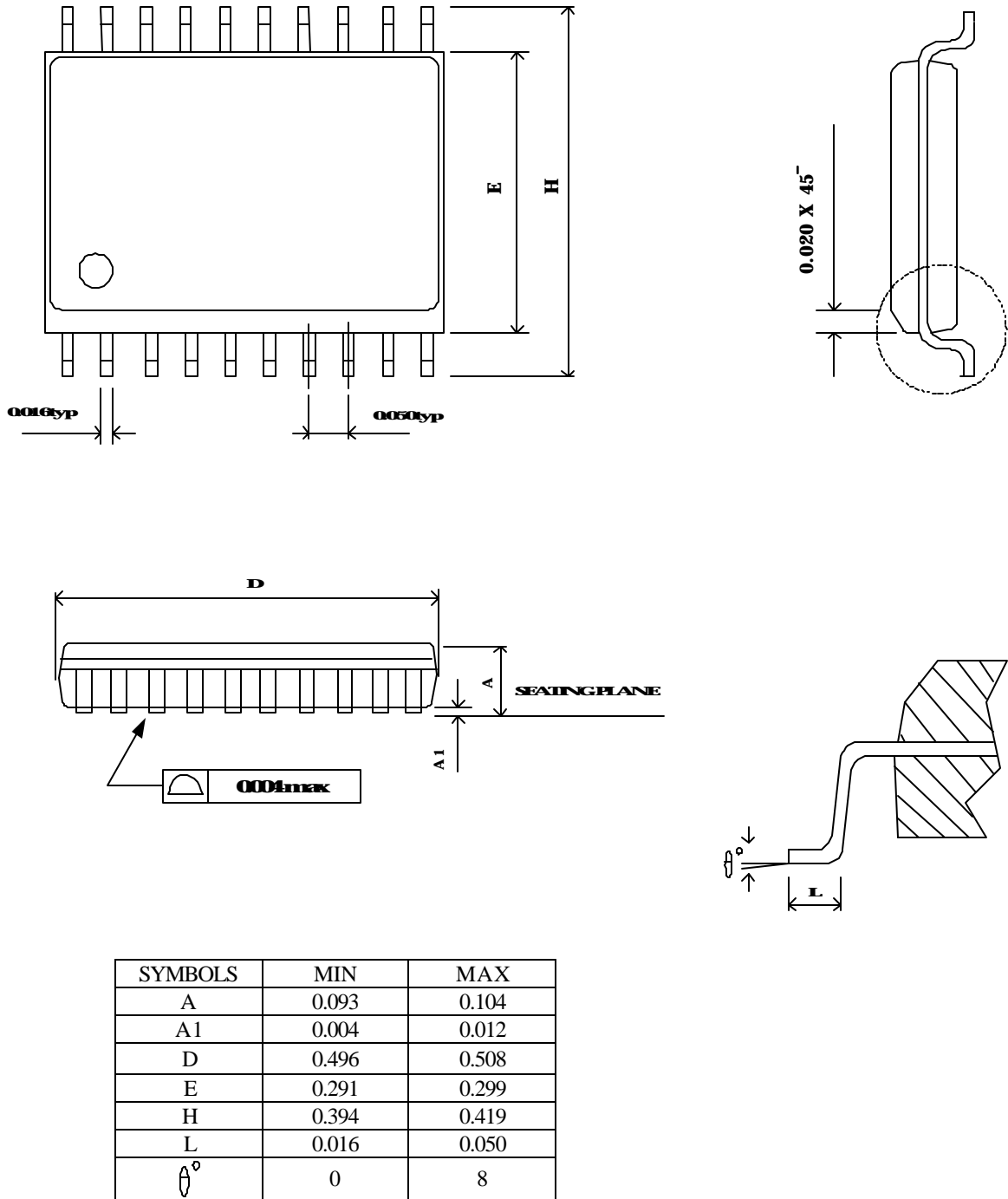


Figure 8-6 Package outline dimension for 20-pin SOP