

# GP2D03

## Paper Size Sensor System

### ■ Features

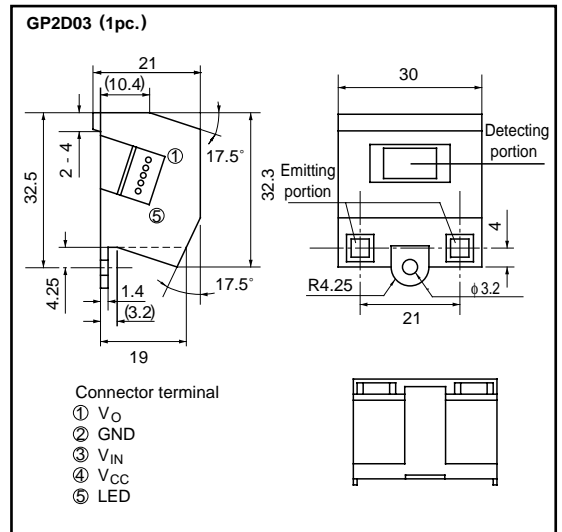
- Paper size sensor system
  - 2-beam paper size sensor **GP2D03** 3pcs.
  - E<sup>2</sup>PROM for data storage 1pc.  
[Serial access type, memory capacity : 128 x 8 bit]  
(E<sup>2</sup>PROM shall be applied to users'.)
- High sensitive detection because of less influence on the color or reflectivity of reflective object thanks to position sensitive detector (PSD)
- 2-beam type (**GP2D03**)
- With initial mode in order to make E<sup>2</sup>PROM store thresh level for the existence of reflective object

### ■ Applications

- Copiers

### ■ Outline Dimensions

(Unit : mm)



### ■ Specifications

(Ta = 25°C)

Parameter	Symbol	Rating	Unit
Supply voltage	V <sub>CC</sub>	5± 0.5	V
*1 Paper detection height	H	TYP. 60	mm
LED beam pitch	L <sub>P</sub>	TYP. 21	mm
*2 Approved value of paper position sliding	Δx	MIN. ± 6	mm
*3 Measuring time	t <sub>s</sub>	TYP. 140	ms
*4 Paper detection density	OD	0.8 or less	-
Dissipation current	I <sub>CC</sub>	TYP. 30	mA
Operating temperature	T <sub>opr</sub>	- 10 to 60	°C

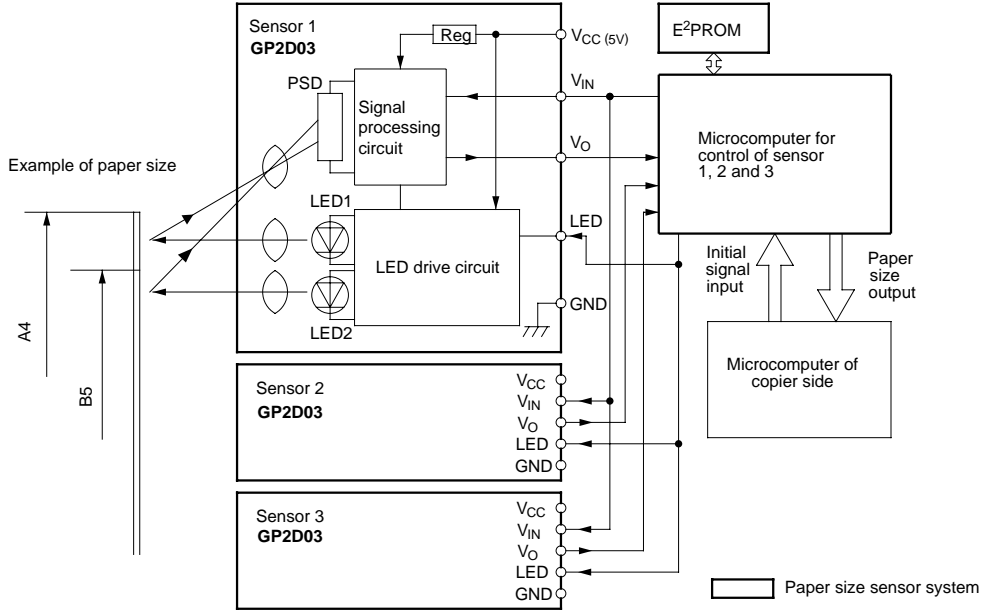
\*1 Optional setting in the range of 50mm to 70mm. Between the sensor to setting glass

\*2 At 60mm-height

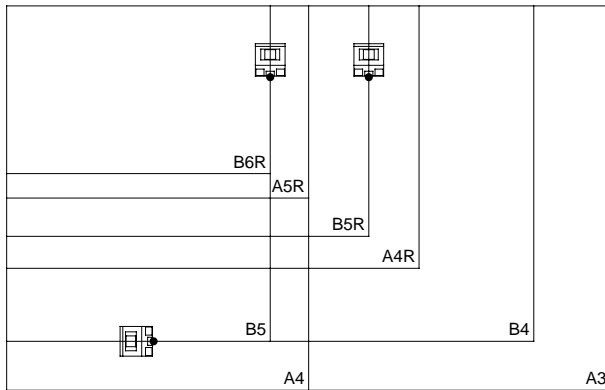
\*3 Time requiring for measurement of 6 portions

\*4 Reflectivity : 16% or more, OD = log (1/T), T : Reflectivity

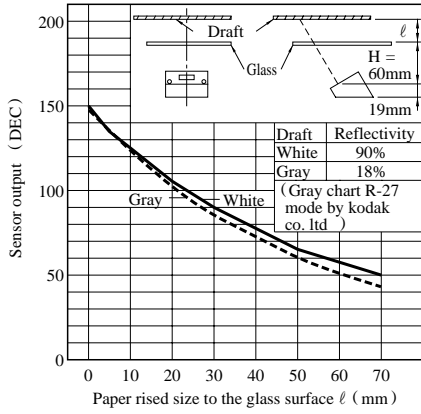
■ System Configuration



■ Example of Sensor Arrangement



**Distance Characteristics of GP2D03**



● Please refer to the chapter “Precautions for Use”