



GPM8F3132A/3116A/3108A

44-Pin 8-bit Microcontroller with 32/16/8KB Flash Memory

Preliminary

Nov. 07, 2014

Version 0.6

Table of Contents

	<u>PAGE</u>
Table of Contents	2
1. GENERAL DESCRIPTION	5
2. FEATURES	5
3. BLOCK DIAGRAM	7
3.1. GPM8F3132A	7
3.2. GPM8F3116A	8
3.3. GPM8F3108A	9
4. SIGNAL DESCRIPTIONS	10
4.1. PIN DESCRIPTIONS	10
4.1.1. GPM8F3132A/3116A	10
4.1.2. GPM8F3108A	11
4.2. PIN MAP	12
5. FUNCTIONAL DESCRIPTIONS	14
5.1. CENTRAL PROCESSING UNIT	14
5.1.1. CPU Introduction	14
5.1.2. CPU Features	14
5.1.3. Arithmetic Logic Unit (ALU)	14
5.1.4. Accumulator A register	14
5.1.5. B register	14
5.1.6. Program Status Word (PSW)	14
5.1.7. Program Counter (PC)	14
5.2. MEMORY ORGANIZATION	15
5.2.1. Introduction	15
5.2.2. Program Memory Allocation	15
5.2.3. Data Memory Allocation	17
5.2.4. Memory Related SFR	18
5.2.4.1. Program write enable bit	18
5.2.4.2. Data pointer registers	19
5.2.4.3. Stack pointer	19
5.3. SPECIAL FUNCTION REGISTERS(SFR)	21
5.4. CLOCK SOURCE	25
5.5. POWER SAVING MODE	27
5.5.1. Introduction	27
5.5.2. IDLE mode	27
5.5.3. STOP mode	27
5.6. INTERRUPT SYSTEM	29
5.6.1. Introduction	29
5.7. RESET SOURCES	34
5.7.1. Introduction	34
5.7.2. Power-On Reset (POR)	34
5.7.3. Low Voltage Reset (LVR)	34

5.7.4. Pad Reset (PAD_RST).....	34
5.7.5. Watchdog Timer Reset (WDT_RST).....	35
5.7.6. Other Reset Sources	35
5.8. I/O PORTS	40
5.8.1. Introduction	40
5.9. TIMER MODULE.....	48
5.9.1. Introduction	48
5.9.2. Timer 0/1	48
5.9.2.1. Timer 0: Mode 0 (13-Bit Timer/Counter).....	50
5.9.2.2. Timer 0: Mode 1 (16-Bit Timer/Counter).....	52
5.9.2.3. Timer 0: Mode 2 (8-bit Timer/Counter with Auto-reload Function)	52
5.9.2.4. Timer 0: Mode 3 (Two 8-Bit Timers/Counters)	54
5.9.2.5. Timer 1: Mode 0 (13-Bit Timer/Counter).....	55
5.9.2.6. Timer 1: Mode 1 (16-Bit Timer/Counter).....	56
5.9.2.7. Timer 1: Mode 2 (8-Bit Timer/Counter with Auto-reload Function).....	57
5.9.2.8. Timer 1: Mode 3	57
5.9.3. Timer 2	58
5.9.3.1. Timer mode	58
5.9.3.2. Reload of Timer 2	59
5.9.3.3. Compare functions	60
5.9.3.4. Capture functions	61
5.9.3.5. Timer 2 Related Registers.....	63
5.10. UART0	67
5.10.1. UART0: Mode 0 (Synchronous Shift register)	67
5.10.2. UART0: Mode 1 (8-Bit UART, Variable Baud Rate, Timer1 Clock Source)	67
5.10.3. UART0: Mode 2 (9-Bit UART, Fixed Baud Rate).....	68
5.10.4. UART0: Mode 3 (9-Bit UART, Variable Baud Rate, Timer1 Clock Source)	68
5.10.5. UART0 Related Registers	68
5.11. SPI	70
5.12. ADC	74
5.12.1. ADC Control	74
5.13. MOTOR CONTROL UNIT	78
5.13.1. Hall Sensors Detection and Built-in Comparators Control.....	89
5.13.2. Protective Circuits.....	93
5.13.3. 16-bit Capture Unit Control.....	96
5.13.4. Interrupt Sources	99
5.13.5. Sine-wave PWM control (only in GPM8F3132A)	102
5.14. AUDIO UNIT	104
5.15. ALPHABETICAL LIST OF INSTRUCTION SET	106
5.15.1. Arithmetic Operations	106
5.15.2. Logic Operations	106
5.15.3. Boolean Operations.....	107
5.15.4. Data Transfers	107

5.15.5. Program Branches.....	109
6. ELECTRICAL CHARACTERISTICS.....	110
6.1. ABSOLUTE MAXIMUM RATINGS	110
6.2. AC CHARACTERISTICS ($T_A = 25^\circ\text{C}$).....	110
6.3. DC CHARACTERISTICS ($T_A = 25^\circ\text{C}$).....	110
6.4. ADC CHARACTERISTICS ($T_A = 25^\circ\text{C}$)	110
6.4.1. 12 bit mode	110
6.4.2. 8 bit mode	111
6.5. OP AND COMPARATORS CHARACTERISTICS ($T_A = 25^\circ\text{C}$)	111
7. PACKAGE INFORMATION	112
7.1. ORDERING INFORMATION	112
7.2. PACKAGE INFORMATION	112
7.2.1. LQFP 44.....	112
8. DISCLAIMER.....	113
9. REVISION HISTORY	114

44-PIN 8-BIT MICROCONTROLLER WITH 32/16/8KB FLASH MEMORY

1. GENERAL DESCRIPTION

GPM8F3132A/3116A/3108A, a highly integrated microcontroller, integrates a pipelined 1T 8051 CPU, 1K/512/256-byte XRAM, 256-byte IDM SRAM, and 32/16/8K-byte program Flash memory. It includes 34 programmable multi-functional I/Os, Timer0/1/2, UART0, SPI (master), Motor control unit with built-in OP and comparators, audio and one up to 8-channel of 12-bit ADC for general-purpose application. It operates over a wide voltage range of 2.4V - 5.5V with different clock sources. It has two modes in power management unit. Moreover, there is one on-chip debug circuit with two pins to facilitate full speed in-system debug.

2. FEATURES

■ CPU

- High speed, high performance 1T 8051
 - 100% software compatible with industry standard 8051
 - Pipeline RISC architecture enables to execute instructions 10 times faster than standard 8051
 - Up to 24.5MHz clock operation

■ Memories

- 1K/512/256 bytes XRAM
- 256 bytes internal Data Memory (IDM) SRAM
- 32/16/8K bytes Flash with high endurance
 - Minimum 200,000 program/erase cycles
 - Minimum 20 years data retention
- Programming read only level for software security

■ Clock Management

- Internal oscillator: 24.5MHz±2% @ 2.4V~5.5V
- External clock input max 24.5MHz
- Crystal input with 32768Hz or 1MHz~25MHz

■ Power Management

- 1 STOP mode for power saving
- 1 IDLE mode for only peripheral operation

■ Interrupt Management

- 22 interrupt sources
- Up to 6 external interrupt sources

■ Reset Management

- Power On Reset (POR)
- Low Voltage Reset (LVR)
- Pad Reset (PAD_RST)
- Watchdog Reset (WDT_RST)
- Software Reset (S/W_RST)

- Stop mode Reset (STOP_RST)
- Miss Clock Reset (MISS_CLK_RST)
- Flash Related Error Reset (FLASH_ERR_RST)

■ Programmable Watchdog Timer

- A time-base generator
- An event timer
- System supervisor

■ I/O Ports

- Max. 34 multifunction bi-directional I/Os
- Each incorporate with pull-up resistor, pull-down resistor, output high, output low or floating input, depending on programmer's settings on the corresponding registers
- I/O ports with 20mA current sink
- I/O ports with 8mA current drive

■ Two 16-bit Timer/Counter (Timer 0/1)

- Timer mode with clock source selectable
- Auto reload 8-bit timers
- Externally gated event counters

■ One Powerful Timer 2 with 16-bit Compare/Capture Unit

- Timer mode with clock source selectable
- Auto-reload 16-bit timers
- Event capturing
- Pulse width modulation and measurement

■ UART0

- One synchronous mode
- Three asynchronous modes

■ SPI (master mode)

- Programmable phase and polarity of master clock
- Programmable master SPI_CLK clock frequency
- Max SPI clock: 6.125MHz ($F_{osc}/4$) @24.5MHz

■ A/D converter

- One 8-channel 8-bit resolution mode
- One 8-channel 12-bit resolution mode
- Max conversion clock: 6.125MHz ($F_{osc}/4$) @24.5MHz

■ Motor Control Unit

- Programmable dead-time control
- Built-in four comparators and OP control (three sensorless comparators are available only in GPM8F3132A/3116A)
- Built-in protective circuits
- 16-bit capture unit control
- Sine-wave PWM control (only in GPM8F3132A)

■ Audio Module

- 24KHz output or 32KHz output @24.5MHz

■ Debug Unit

GPM8F3132A/3116A/3108A

Product Number	GPM8F3132A	GPM8F3116A	GPM8F3108A
Speed (MHz)	24.5	24.5	24.5
Operating Voltage (V)	2.4~5.5	2.4~5.5	2.4~5.5
Flash (Kbytes)	32	16	8
XRAM (bytes)	1K	512	256
IDM (bytes)	256	256	256
Timer	3	3	3
UART	1	1	1
SPI	1	1	1
Motor Control Unit	Yes	Yes	Yes
Sine-wave PWM	Yes	No	No
Three Sensorless Comparators	Yes	Yes	No
Built-in OP and Comparator	Yes	Yes	Yes
12-bit ADC	8-channel	8-channel	8-channel
IO	34	34	34
Package Type	LQFP44	LQFP44	LQFP44

3. BLOCK DIAGRAM

3.1. GPM8F3132A

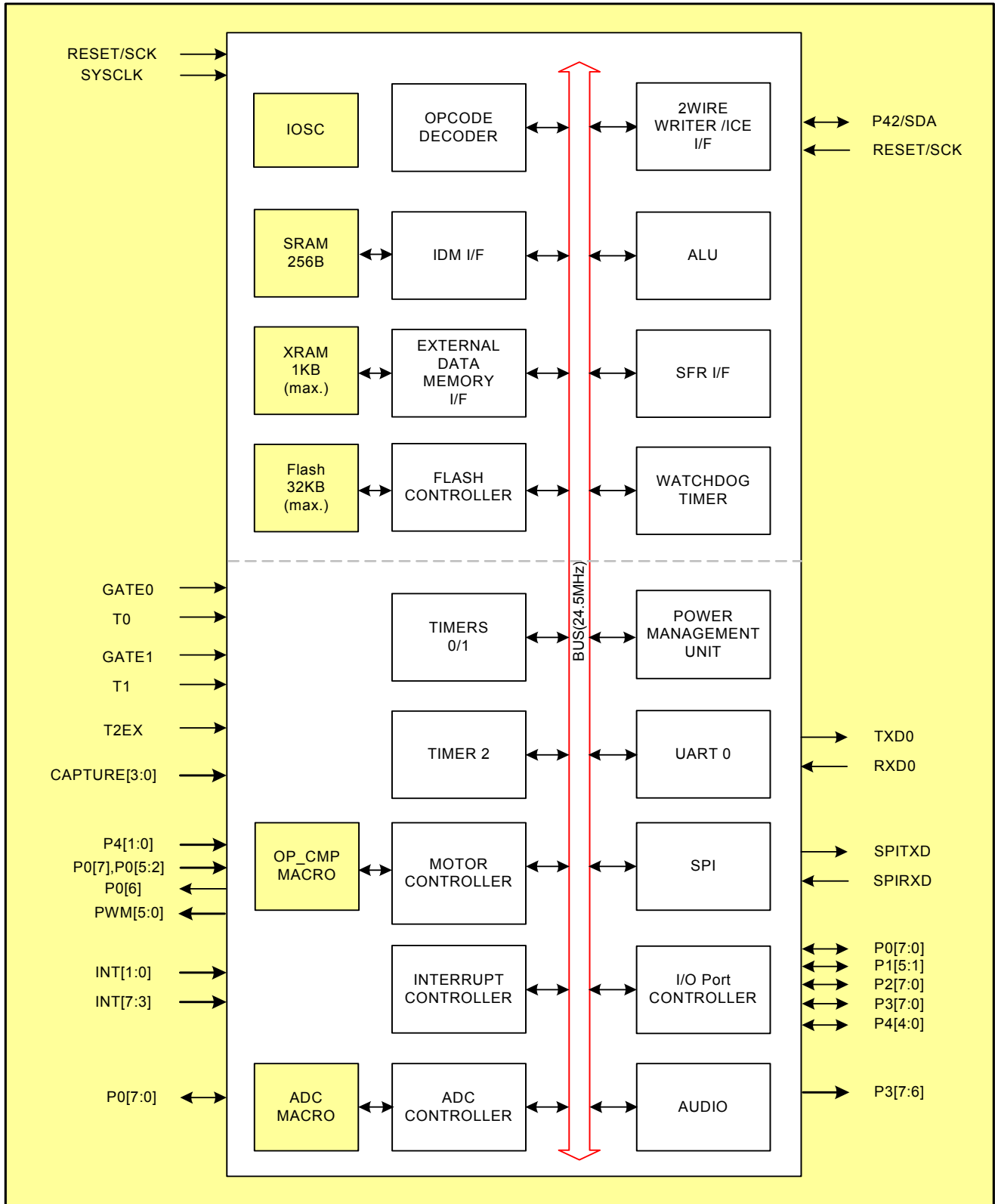


Figure 3-1 Block diagram of GPM8F3132A

3.2. GPM8F3116A

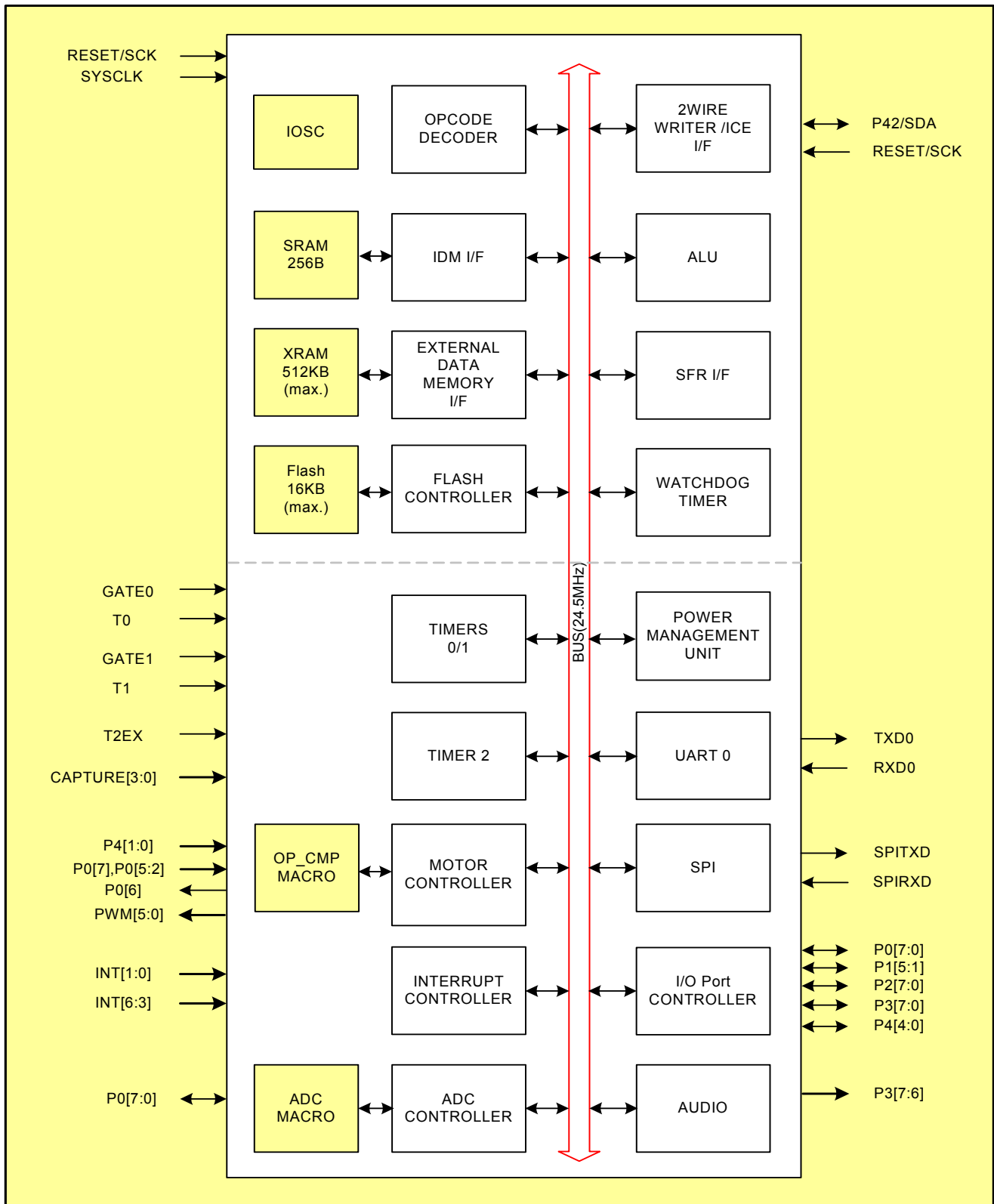


Figure 3-2 Block diagram of GPM8F3116A

3.3. GPM8F3108A

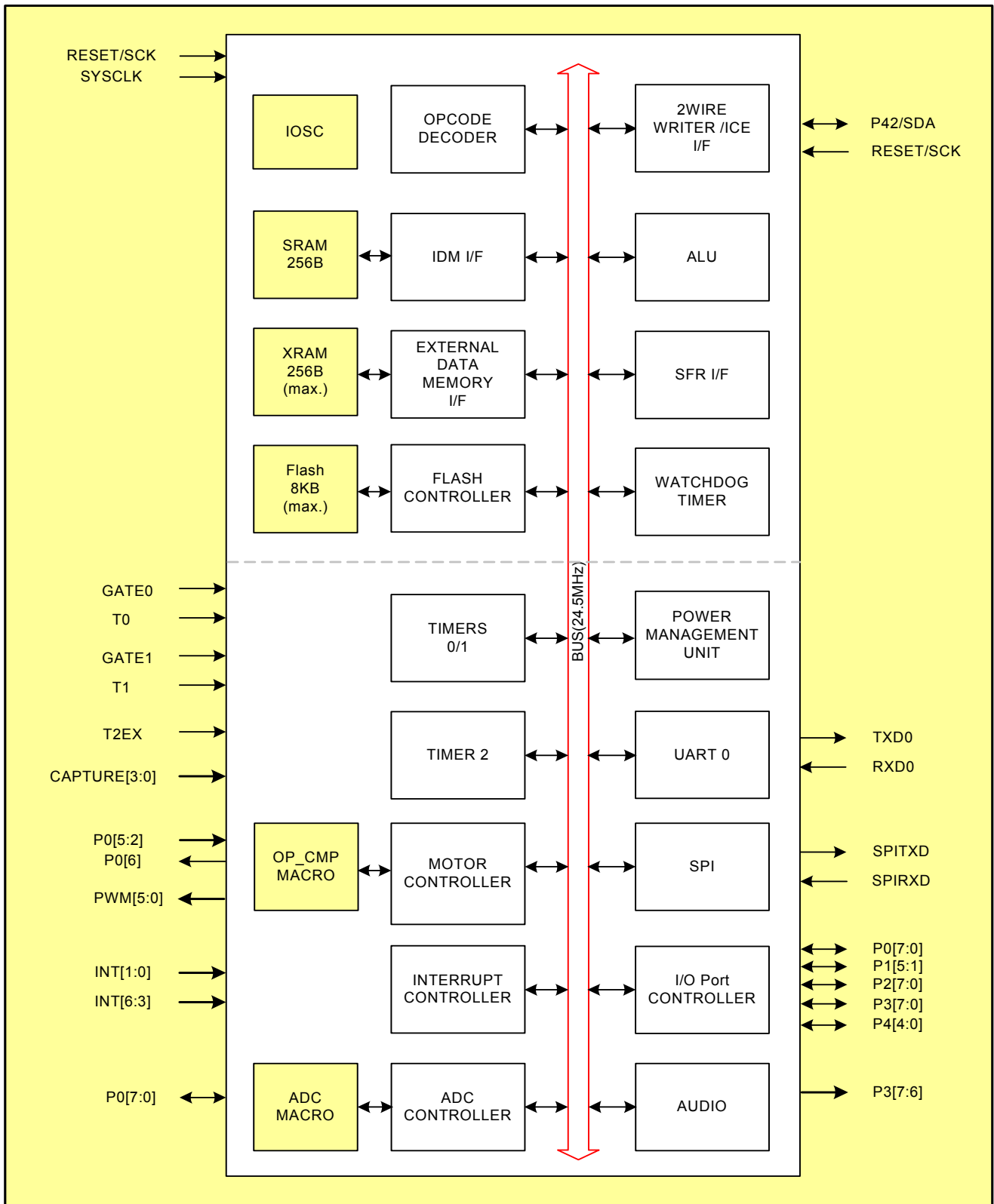


Figure 3-3 Block diagram of GPM8F3108A

4. SIGNAL DESCRIPTIONS

4.1. Pin Descriptions

4.1.1. GPM8F3132A/3116A

Type : I = Input, O = Output, S = Supply

Pin Name	LQFP44	Type	Description
P14	1	I/O	Port 1 bit 4/ INT5/ CAPTURE2/ HW(PWM2_TRIG)
P15	2	I/O	Port 1 bit 5/ INT6/ CAPTURE3/ OC
RESET	3	I	RESET signal, high active/ SCK(2 wire serial bus clock input line)
NC	4		
P30	5	I/O	Port 3 bit 0/ RXD0
P31	6	I/O	Port 3 bit 1/ TXD0
P32	7	I/O	Port 3 bit 2/ INT0
P33	8	I/O	Port 3 bit 3/ INT1
P34	9	I/O	Port 3 bit 4/ T0(Timer 0 input)
P35	10	I/O	Port 3 bit 5/ T1(Timer 1 input)
NC	11		
P36	12	I/O	Port 3 bit 6/ GATE0(Timer 0 gate)/ AUDIO_N
P37	13	I/O	Port 3 bit 7/ GATE1(Timer 1 gate)/ AUDIO_P
VSS	14	S	Ground
P27	15	I/O	Port 2 bit 7
P20	16	I/O	Port 2 bit 0
P21	17	I/O	Port 2 bit 1/ PWM0
P22	18	I/O	Port 2 bit 2/ PWM1
P23	19	I/O	Port 2 bit 3/ PWM2
P24	20	I/O	Port 2 bit 4/ PWM3
NC	21		
NC	22		
P25	23	I/O	Port 2 bit 5/ PWM4/XTI
P26	24	I/O	Port 2 bit 6/ PWM5/XTO
VREG	25	S	Regulator output, needs 2.2uF Cap.
P44	26	I/O	Port 4 bit 4
P43	27	I/O	Port 4 bit 3/ HU_DET(Motor comparator U input)
P42	28	I/O	Port 4 bit 2/ SDA(2 wire serial bus data input/output line)
P41	29	I/O	Port 4 bit 1/ HW_DET(Motor comparator W input)
P40	30	I/O	Port 4 bit 0/ HV_DET(Motor comparator V input)
NC	31		
P07	32	I/O	Port 0 bit 7/ AN7(ADC channel 7 input)/ SPI0_RX/ HU_DET(Motor comparator U input)
P06	33	I/O	Port 0 bit 6/ AN6(ADC channel 6 input)/ SPI0_TX/ OP_OUT(Motor OP output)
P05	34	I/O	Port 0 bit 5/ AN5(ADC channel 5 input)/ SPI0_CLK/ OP V-(Motor OP V-)
P04	35	I/O	Port 0 bit 4/ AN4(ADC channel 4 input) / SPI0_CSB/ OP V+(Motor OP V+)
P03	36	I/O	Port 0 bit 3/ AN3(ADC channel 3 input)/ CMPOC V-(Motor comparator OC V-)
P02	37	I/O	Port 0 bit 2/ AN2(ADC channel 2 input)/ CMPOC V+(Motor comparator OC V+)
P01	38	I/O	Port 0 bit 1/ AN1(ADC channel 1 input)
P00	39	I/O	Port 0 bit 0/ AN0(ADC channel 0 input)
VCC	40	S	Power 5V input
NC	41		

Pin Name	LQFP44	Type	Description
P11	42	I/O	Port 1 bit 1/ T2EX
P12	43	I/O	Port 1 bit 2/ INT3/ CAPTURE0/ HU
P13	44	I/O	Port 1 bit 3/ INT4/ CAPTURE1/ HV

4.1.2. GPM8F3108A

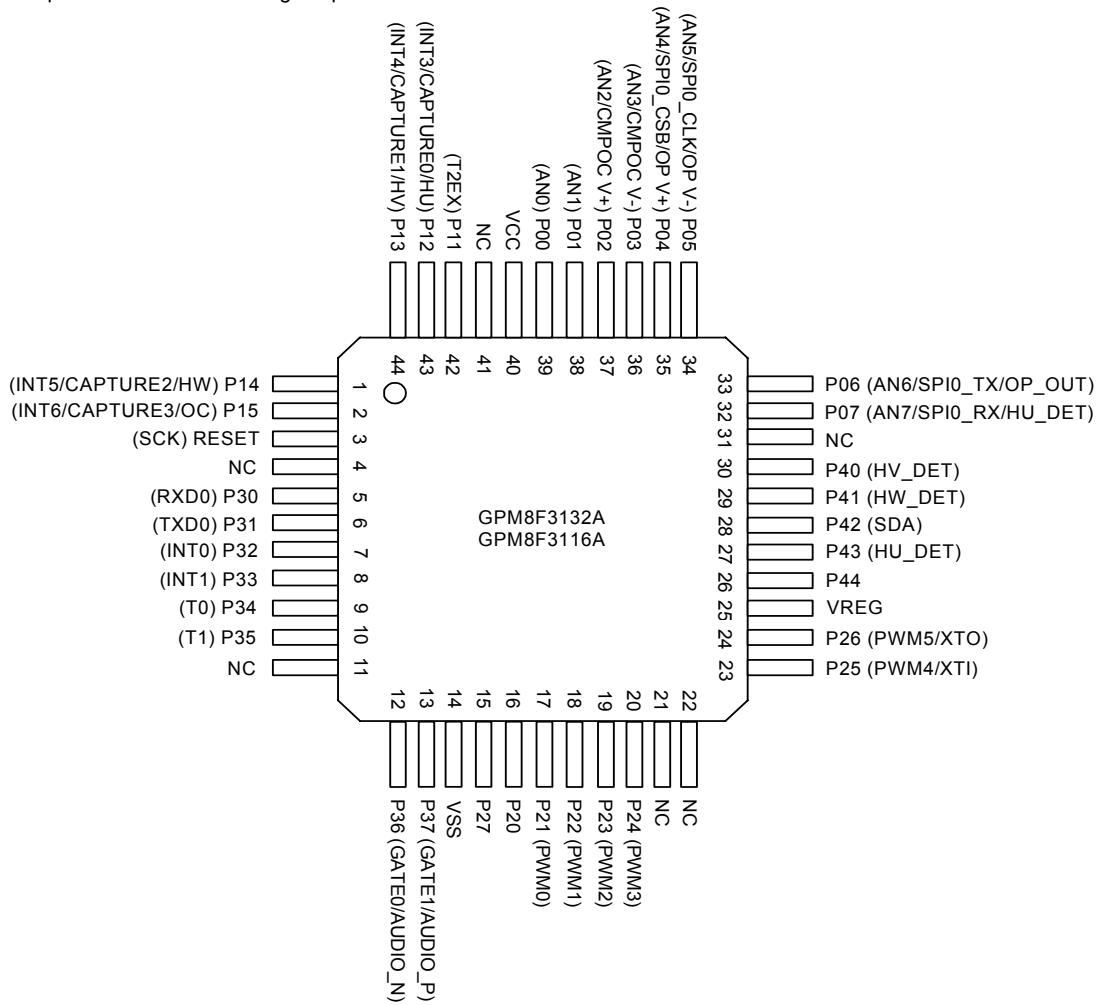
Type : I = Input, O = Output, S = Supply

Pin Name	LQFP44	Type	Description
P14	1	I/O	Port 1 bit 4/ INT5/ CAPTURE2/ HW(PWM2_TRIG)
P15	2	I/O	Port 1 bit 5/ INT6/ CAPTURE3/ OC
RESET	3	I	RESET signal, high active/ SCK(2 wire serial bus clock input line)
NC	4		
P30	5	I/O	Port 3 bit 0/ RXD0
P31	6	I/O	Port 3 bit 1/ TXD0
P32	7	I/O	Port 3 bit 2/ INT0
P33	8	I/O	Port 3 bit 3/ INT1
P34	9	I/O	Port 3 bit 4/ T0(Timer 0 input)
P35	10	I/O	Port 3 bit 5/ T1(Timer 1 input)
NC	11		
P36	12	I/O	Port 3 bit 6/ GATE0(Timer 0 gate)/ AUDIO_N
P37	13	I/O	Port 3 bit 7/ GATE1(Timer 1 gate)/ AUDIO_P
VSS	14	S	Ground
P27	15	I/O	Port 2 bit 7
P20	16	I/O	Port 2 bit 0
P21	17	I/O	Port 2 bit 1/ PWM0
P22	18	I/O	Port 2 bit 2/ PWM1
P23	19	I/O	Port 2 bit 3/ PWM2
P24	20	I/O	Port 2 bit 4/ PWM3
NC	21		
NC	22		
P25	23	I/O	Port 2 bit 5/ PWM4/XTI
P26	24	I/O	Port 2 bit 6/ PWM5/XTO
VREG	25	S	Regulator output, needs 2.2uF Cap.
P44	26	I/O	Port 4 bit 4
P43	27	I/O	Port 4 bit 3
P42	28	I/O	Port 4 bit 2/ SDA(2 wire serial bus data input/output line)
P41	29	I/O	Port 4 bit 1
P40	30	I/O	Port 4 bit 0
NC	31		
P07	32	I/O	Port 0 bit 7/ AN7(ADC channel 7 input)/ SPI0_RX
P06	33	I/O	Port 0 bit 6/ AN6(ADC channel 6 input)/ SPI0_TX/ OP_OUT(Motor OP output)
P05	34	I/O	Port 0 bit 5/ AN5(ADC channel 5 input)/ SPI0_CLK/ OP V-(Motor OP V-)
P04	35	I/O	Port 0 bit 4/ AN4(ADC channel 4 input) / SPI0_CSB/ OP V+(Motor OP V+)
P03	36	I/O	Port 0 bit 3/ AN3(ADC channel 3 input)/ CMPOC V-(Motor comparator OC V-)
P02	37	I/O	Port 0 bit 2/ AN2(ADC channel 2 input)/ CMPOC V+(Motor comparator OC V+)
P01	38	I/O	Port 0 bit 1/ AN1(ADC channel 1 input)

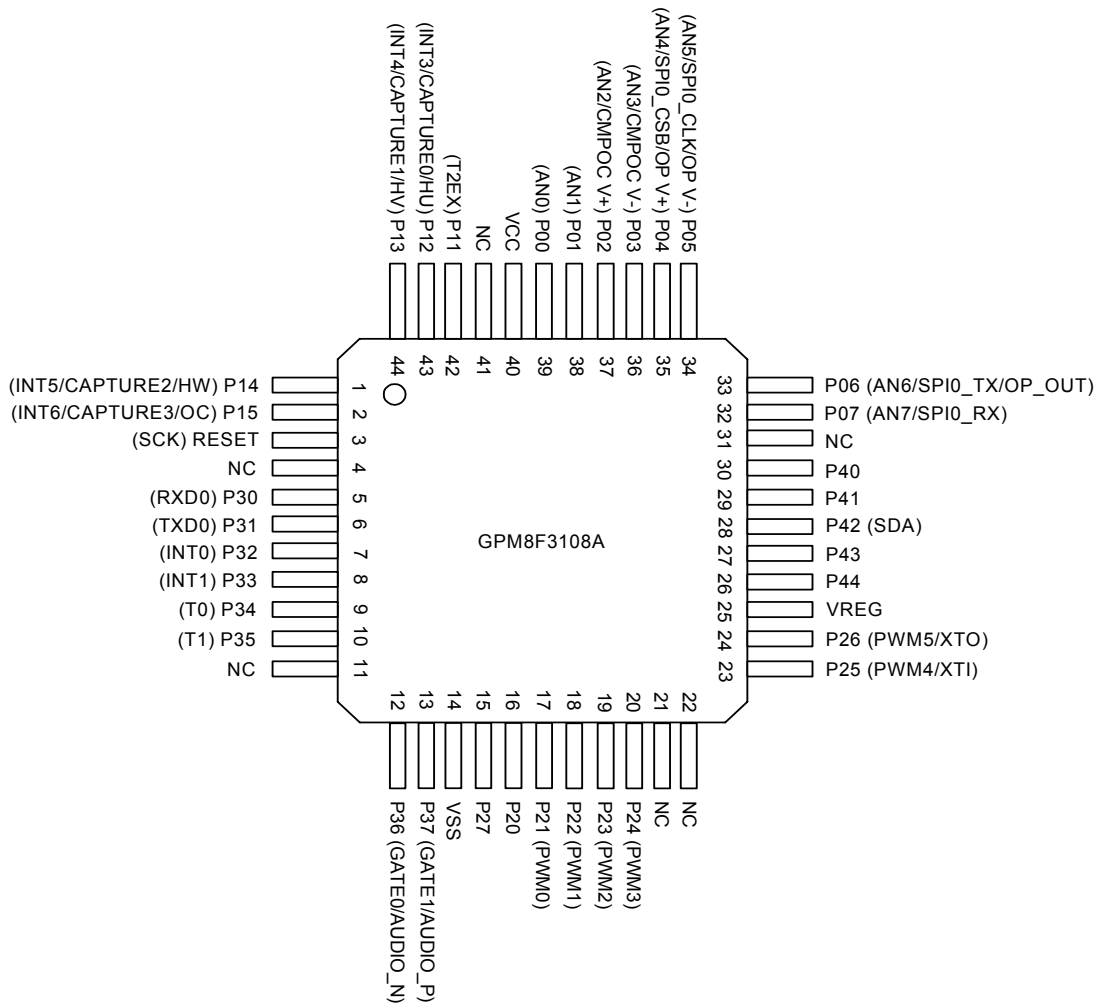
Pin Name	LQFP44	Type	Description
P00	39	I/O	Port 0 bit 0/ AN0(ADC channel 0 input)
VCC	40	S	Power 5V input
NC	41		
P11	42	I/O	Port 1 bit 1/ T2EX
P12	43	I/O	Port 1 bit 2/ INT3/ CAPTURE0/ HU
P13	44	I/O	Port 1 bit 3/ INT4/ CAPTURE1/ HV

4.2. PIN Map

Package Pin Sequence - LQFP 44 Package Top View



GPM8F3132A/3116A/3108A



5. FUNCTIONAL DESCRIPTIONS

5.1. Central Processing Unit

5.1.1. CPU Introduction

The CPU is an ultra-high performance, high speed embedded microcontroller. Pipelined architecture enables the CPU 10 times faster than standard architecture. This performance can also be exploited to great advantage in low power application where the core can be clocked over ten times slower than original implementation for no performance penalty.

5.1.2. CPU Features

- ❑ 100 % software compatible with industry 8051
- ❑ 24 times faster multiplication
- ❑ 12 times faster addition

The CPU is fully compatible with industry standard 8051 microcontroller, maintaining all instruction mnemonics and binary compatibility. It incorporates some great architectural enhancements, allowing the CPU instructions execution with high performance and high speed.

The arithmetic section of the processor performs extensive data manipulation and is comprised of an 8-bit arithmetic logic unit (ALU), an ACC(0xE0) register, B(0xF0) register and PSW(0xD0) register.

5.1.3. Arithmetic Logic Unit (ALU)

The ALU performs the arithmetic and logic operations during one

instruction execution. Typical arithmetic operations are addition, subtraction, multiplication and division. Additional operations are such as increment, decrement, BCD-decimal-add-adjust and compare. Within logic unit, operation such as AND, OR, Exclusive OR, complement and rotation are performed. The Boolean processor performs the bit operations as set, clear, complement, jump-if-not-set, jump-if-set-and-clear and move to/from carry.

5.1.4. Accumulator A register

The accumulation is the 8-bit general-purpose register, which can be operated with data transfer, temporary saving, condition judgment, etc.

5.1.5. B register

The B register is used during multiply and divide operations. In other cases, it may be used as normal SFR.

5.1.6. Program Status Word (PSW)

The PSW contains several bits that reflect the current state of the CPU which is similar to the flag-register of general CPU.

5.1.7. Program Counter (PC)

The program counter is a 16-bit wide register. It consists of two 8-bit registers which are PCH and PCL. This register indicates the address of next instruction to be executed. In Reset state, the content of 0x0000 is stored into program counter.

ACC		Address: 0xE0			Accumulator A Register			
Bit	7	6	5	4	3	2	1	0
Function	ACC[7:0]							
Default	0	0	0	0	0	0	0	0

Bit	Function	Type	Description	Condition
7:0	ACC[7:0]	R/W	Accumulator A	

Table 5-1 The ACC register

B		Address: 0xF0			B Register			
Bit	7	6	5	4	3	2	1	0
Function	B[7:0]							
Default	0	0	0	0	0	0	0	0

Bit	Function	Type	Description	Condition
7:0	B[7:0]	R/W	B	

Table 5-2 The B register

PSW			Address: 0xD0		Program Status Word Register			
Bit	7	6	5	4	3	2	1	0
Function	CY	AC	F0	RS1	RS0	OV	F1	P
Default	0	0	0	0	0	0	0	0

Bit	Function	Type	Description	Condition										
7	CY	R/W	Carry flag											
6	AC	R/W	Auxiliary carry flag											
5	F0	R/W	General purpose flag 0											
4:3	RS[1:0]	R/W	Register bank select bits <table border="1" data-bbox="667 719 1150 913"> <thead> <tr> <th>RS[1:0]</th> <th>Function description</th> </tr> </thead> <tbody> <tr> <td>00</td> <td>Bank 0, data address 0x00-0x07</td> </tr> <tr> <td>01</td> <td>Bank 1, data address 0x08-0x0F</td> </tr> <tr> <td>10</td> <td>Bank 2, data address 0x10-0x17</td> </tr> <tr> <td>11</td> <td>Bank 3, data address 0x18-0x1F</td> </tr> </tbody> </table>	RS[1:0]	Function description	00	Bank 0, data address 0x00-0x07	01	Bank 1, data address 0x08-0x0F	10	Bank 2, data address 0x10-0x17	11	Bank 3, data address 0x18-0x1F	
RS[1:0]	Function description													
00	Bank 0, data address 0x00-0x07													
01	Bank 1, data address 0x08-0x0F													
10	Bank 2, data address 0x10-0x17													
11	Bank 3, data address 0x18-0x1F													
2	OV	R/W	Overflow flag											
1	F1	R/W	General purpose flag 1											
0	P	R/W	Parity flag											

Table 5-3 The PSW register

5.2. Memory Organization

5.2.1. Introduction

The GPM8F3132A/3116A/3108A has three separated address spaces for program memory and data memory. The program memory is on-chip, re-programmable Flash memory and contains up to 32/16/8K bytes spaces. The data memory is divided into 1K/512/256 bytes of external RAM, 256 bytes IDM with 128 bytes of SFR which can be read and written. The upper IDM and SFR use the same access address in different access ways which are described in Figure 5-2.

5.2.2. Program Memory Allocation

The program memory allocation is divided into two parts, including code area and last page. The GPM8F3132A/3116A/3108A implements 32/16/8KB memory size. It begins at address 0x0000 and ends at address 0x7FFF/0x3FFF/0x1FFF. The address space between 0x0000 and 0x7BFF/0x3BFF/0x1BFF is used for code area and the address space between 0x7C00/0x3C00/0x1C00 and 0x7FFF/0x3FFF/0x1FFF is called LAST_PAGE which cannot be erased by software. It reserves for constants storage. The last address 0x7FFF/0x3FFF/0x1FFF is used for CONFIG_BYTE whose definition of each bit is described in Table 5-4. This CONFIG_BYTE value can be read from CONFIG_BYTE register(0xB7). User can lock the whole chip by CONFIG_BYTE [0]. If CONFIG_BYTE[0] is programmed to be '0',

the whole chip memory is protected and any page erase or program by two wire serial interface is not allowed. The only thing user can do is to erase whole chip. Figure 5-1 shows the program memory map of 32KB/16KB/8KB Flash.

After each reset, CPU starts execution in the program memory at location 0x0000. Each interrupt has its own start address for service routine. The Flash memory can be programmed in-system, through the SCK/SDA interface or by software using the MOVX instruction when PWE= 1. User can refer to the example code in the programming guide for the procedure of write and erase operations. Flash data cannot be programmed from a '0' to a '1', and only erase operation can realize it. Therefore, flash data would typically be erased (set to 0xFF) before being programmed. The write and erase operations are executed by using Pseudo-idle mode to be automatically timed by hardware without data polling to determine the end of the write and erase operation.

For software security consideration, user can set the programmable Flash level by FL_LEVEL register to limit the code area that avoids inadvertently erased or written by software; the protected region is called READONLY_PAGE.

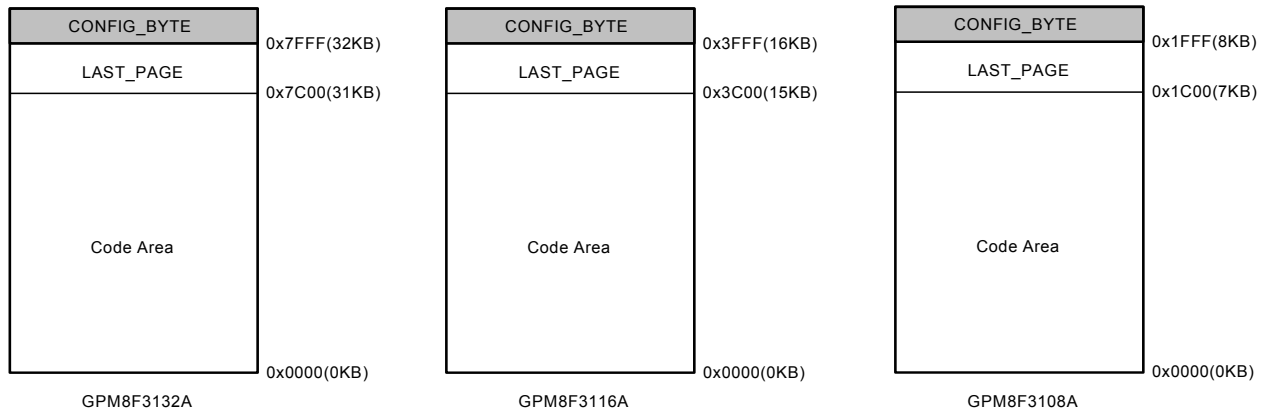


Figure 5-1 Program memory organization

CONFIG_BYTE			Address: 0xB7		CONFIG_BYTE Register			
Bit	7	6	5	4	3	2	1	0
Function	--	--	LVRVSEL	--	--	--	IOSEL	CODE Lock
Default	1	1	1	1	1	1	1	1

Bit	Function	Type	Description	Condition
7:6	--	R	Reserved	
5	LVRVSEL	R	LVR voltage level selection 0: 3.9V 1: 2.2V	
4:2	--	R	Reserved	
1	IOSEL	R	IO initial state selection bit 0: Input pull high 1: floating	
0	CODE Lock	R	0 : CODE is locked; 1 : CODE is unlocked	

Table 5-4 The CONFIG_BYTE register

FLASHCON			Address: 0xEC		Flash Control Register			
Bit	7	6	5	4	3	2	1	0
Function	--	--	--	--	--	M_ERASE	P_ERASE	PROG
Default	1	1	1	1	1	1	1	1

Bit	Function	Type	Description	Condition
7:2	--	R/W	Reserved	
2	M_ERASE	R/W	Macro Erase enable bit	
1	P_ERASE	R/W	Page Erase enable bit	
0	PROG	R/W	Program enable bit	

Table 5-5 The CONFIG_BYTE register

FL_LEVEL			Address: 0xED		Flash Level Register				
Bit	7	6	5	4	3	2	1	0	
Function	--	--	FLASH_LEVEL[5:0]						
Default	0	0	0	0	0	0	0	0	

Bit	Function	Type	Description	Condition																																																																				
7:6	--	R/W	Reserved																																																																					
5:0	FLASH_LEVEL[5:0]	R/W	FLASH_LEVEL, it determines how many 1K pages are read only <table border="1" style="margin-left: 20px;"> <thead> <tr> <th>FLASH_LEVEL</th> <th>Note</th> </tr> </thead> <tbody> <tr><td>0</td><td>no page is read only</td></tr> <tr><td>1</td><td>address < 0x400 is read only</td></tr> <tr><td>2</td><td>address < 0x800 is read only</td></tr> <tr><td>3</td><td>address < 0xC00 is read only</td></tr> <tr><td>4</td><td>address < 0x1000 is read only</td></tr> <tr><td>5</td><td>address < 0x1400 is read only</td></tr> <tr><td>6</td><td>address < 0x1800 is read only</td></tr> <tr><td>7</td><td>address < 0x1C00 is read only</td></tr> <tr><td>8</td><td>address < 0x2000 is read only</td></tr> <tr><td>9</td><td>address < 0x2400 is read only</td></tr> <tr><td>10</td><td>address < 0x2800 is read only</td></tr> <tr><td>11</td><td>address < 0x2C00 is read only</td></tr> <tr><td>12</td><td>address < 0x3000 is read only</td></tr> <tr><td>13</td><td>address < 0x3400 is read only</td></tr> <tr><td>14</td><td>address < 0x3800 is read only</td></tr> <tr><td>15</td><td>address < 0x3C00 is read only</td></tr> <tr><td>16</td><td>address < 0x4000 is read only</td></tr> <tr><td>17</td><td>address < 0x4400 is read only</td></tr> <tr><td>18</td><td>address < 0x4800 is read only</td></tr> <tr><td>19</td><td>address < 0x4C00 is read only</td></tr> <tr><td>20</td><td>address < 0x5000 is read only</td></tr> <tr><td>21</td><td>address < 0x5400 is read only</td></tr> <tr><td>22</td><td>address < 0x5800 is read only</td></tr> <tr><td>23</td><td>address < 0x5C00 is read only</td></tr> <tr><td>24</td><td>address < 0x6000 is read only</td></tr> <tr><td>25</td><td>address < 0x6400 is read only</td></tr> <tr><td>26</td><td>address < 0x6800 is read only</td></tr> <tr><td>27</td><td>address < 0x6C00 is read only</td></tr> <tr><td>28</td><td>address < 0x7000 is read only</td></tr> <tr><td>29</td><td>address < 0x7400 is read only</td></tr> <tr><td>30</td><td>address < 0x7800 is read only</td></tr> <tr><td>31</td><td>address < 0x7C00 is read only</td></tr> <tr><td>≥ 32</td><td>address < 0x7FFF is read only</td></tr> </tbody> </table> <p>Note 1. Only FLASH_LEVEL[5:0] is useful in GPM8F3732A Note 2. Only FLASH_LEVEL[4:0] is useful in GPM8F3716A Note 3. Only FLASH_LEVEL[3:0] is useful in GPM8F3708A</p>	FLASH_LEVEL	Note	0	no page is read only	1	address < 0x400 is read only	2	address < 0x800 is read only	3	address < 0xC00 is read only	4	address < 0x1000 is read only	5	address < 0x1400 is read only	6	address < 0x1800 is read only	7	address < 0x1C00 is read only	8	address < 0x2000 is read only	9	address < 0x2400 is read only	10	address < 0x2800 is read only	11	address < 0x2C00 is read only	12	address < 0x3000 is read only	13	address < 0x3400 is read only	14	address < 0x3800 is read only	15	address < 0x3C00 is read only	16	address < 0x4000 is read only	17	address < 0x4400 is read only	18	address < 0x4800 is read only	19	address < 0x4C00 is read only	20	address < 0x5000 is read only	21	address < 0x5400 is read only	22	address < 0x5800 is read only	23	address < 0x5C00 is read only	24	address < 0x6000 is read only	25	address < 0x6400 is read only	26	address < 0x6800 is read only	27	address < 0x6C00 is read only	28	address < 0x7000 is read only	29	address < 0x7400 is read only	30	address < 0x7800 is read only	31	address < 0x7C00 is read only	≥ 32	address < 0x7FFF is read only	
FLASH_LEVEL	Note																																																																							
0	no page is read only																																																																							
1	address < 0x400 is read only																																																																							
2	address < 0x800 is read only																																																																							
3	address < 0xC00 is read only																																																																							
4	address < 0x1000 is read only																																																																							
5	address < 0x1400 is read only																																																																							
6	address < 0x1800 is read only																																																																							
7	address < 0x1C00 is read only																																																																							
8	address < 0x2000 is read only																																																																							
9	address < 0x2400 is read only																																																																							
10	address < 0x2800 is read only																																																																							
11	address < 0x2C00 is read only																																																																							
12	address < 0x3000 is read only																																																																							
13	address < 0x3400 is read only																																																																							
14	address < 0x3800 is read only																																																																							
15	address < 0x3C00 is read only																																																																							
16	address < 0x4000 is read only																																																																							
17	address < 0x4400 is read only																																																																							
18	address < 0x4800 is read only																																																																							
19	address < 0x4C00 is read only																																																																							
20	address < 0x5000 is read only																																																																							
21	address < 0x5400 is read only																																																																							
22	address < 0x5800 is read only																																																																							
23	address < 0x5C00 is read only																																																																							
24	address < 0x6000 is read only																																																																							
25	address < 0x6400 is read only																																																																							
26	address < 0x6800 is read only																																																																							
27	address < 0x6C00 is read only																																																																							
28	address < 0x7000 is read only																																																																							
29	address < 0x7400 is read only																																																																							
30	address < 0x7800 is read only																																																																							
31	address < 0x7C00 is read only																																																																							
≥ 32	address < 0x7FFF is read only																																																																							

Table 5-6 The FL_LEVEL register

5.2.3. Data Memory Allocation

Data memory address allocations on the GPM8F3132A/3116A/3108A are divided into two parts. The first part is 1K/512/256 bytes of external RAM and the second one is 256 byte IDM shown in Figure 5-2. The lowest internal data

memory (IDM) consists of four register banks with eight registers each. A bit addressable segment with 128 bits (16 bytes) begins at 0x20. The address from 0x30 to 0x7F is not defined and can be utilized freely by user. The last 128 bytes of data memory can

be used by different addressing modes. With the indirect addressing mode, address from 0x80 to 0xFF shared with stack space is addressed. With the direct addressing mode, the SFR

addressing from 0x80 to 0xFF is accessed. The SFR memory map is shown in Table 5-7.

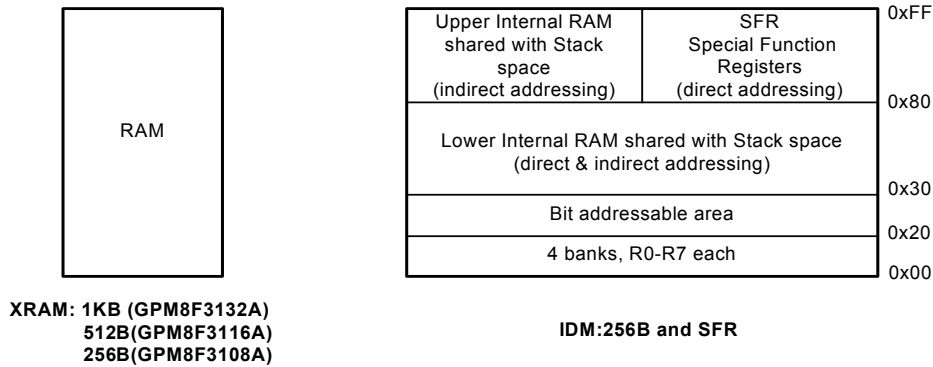


Figure 5-2 Data memory organization

Note1: Black: standard 8051 register; gray: additional register;

Note2: PWMSINCON, ADDR_OFFSETL and ADDR_OFFSETH register are only available in GPM8F3132A

Note3: CMPCON1 is only available in GPM8F3132A/3116A

0xF8	EIP	IOSCCON	IOSCT0	IOSCT1	SPICON	SPITXD	SPIRXD	
0xF0	B	ADCON	ADCFG	ADAEN	ADOL	ADOH	ADLB	ADUB
0xE8	EIE		PWMOVRD_BUF	TA	FLASHCON	FL_LEVEL	ADCPWM	KEYCODE
0xE0	ACC	PWMCON4	CAP0BUFL	CAP0BUFH	CAP1BUFL	CAP1BUFH	CAP2BUFL	CAP2BUFH
0xD8	WDCON	PWMCON2	PWMCON3	PWMOVRD_BUF	PWMCON3_BUF	CAP0CON	CAP1CON	CAP2CON
0xD0	PSW	CMP0L	CMP0H	CMP1L	CMP1H	CMP2L	CMP2H	PWMCON6
0xC8	T2CON	T2IF	CRCL	CRCH	TL2	TH2	CCEN	PWMCON5
0xC0			CCL1	CCH1	CCL2	CCH2	CCL3	CCH3
0xB8	IP	PWMCON1	MDPRDL	MDPRDH	DTR	PWMSINCON	ADDR_OFFSETL	ADDR_OFFSETH
0xB0	P3	PWMIF	PWMIE	AUDCON	AUDBUF	PWMCON8	WKUEN	CONFIG_BYTE
0xA8	IE	PWMCON9	CMPCON1	CMPCON2		SRCON	SYSCON0	SYSCON1
0xA0	P2	P4	P3_PU	P3_PD	P4_PU	P4_PD	FLASHERRF	SYSCON2
0x98	SCON0	SBUF0	P0_PU	P0_PD	P1_PU	P1_PD	P2_PU	P2_PD
0x90	P1	EIF			RSTSTS		BIP	BIF
0x88	TCON	TMOD	TL0	TL1	TH0	TH1	CKCON	RSTCON
0x80	P0	SP	DPL0	DPH0	DPL1	DPH1	DPS	PCON
	0/8	1/9	2/A	3/B	4/C	5/D	6/E	7/F

Table 5-7 SFR memory map

5.2.4. Memory Related SFR

The following sub-sections describe program, external and internal memories related SFRs of 8051 core and their functionality. For other information about standard SFRs, please refer to appropriate peripheral section.

5.2.4.1. Program write enable bit

The Program Write Enable (PWE) bit, located in PCON register bit 4, is used during MOVX instructions. When PWE bit is set to logic 1, the MOVX @DPTR, An instruction writes data located in accumulator register into program memory addressed by DPTR register. Program memory can be read by MOVC only regardless of PWE bit.

5.2.4.2. Data pointer registers

Dual data pointer registers are implemented to speed up data block copying. DPTR0 and DPTR1 are located in four SFR addresses. Active DPTR register is selected by SEL bit (DPS[0]). If SEL=0 then DPTR0 is selected otherwise DPTR1.

5.2.4.3. Stack pointer

The 8051 has 8-bit stack pointer called SP (0x81) located in the

internal RAM space. It is incremented before data is stored during PUSH and CALL execution and decremented after data is popped during POP, RET and RETI execution. In the other words, it always points to the last valid stack byte. The SP is accessed as any other SFRs. Figure 5-3 shows an example when PUSH A is executed and Figure 5-4 shows an example when POP PSW is executed.

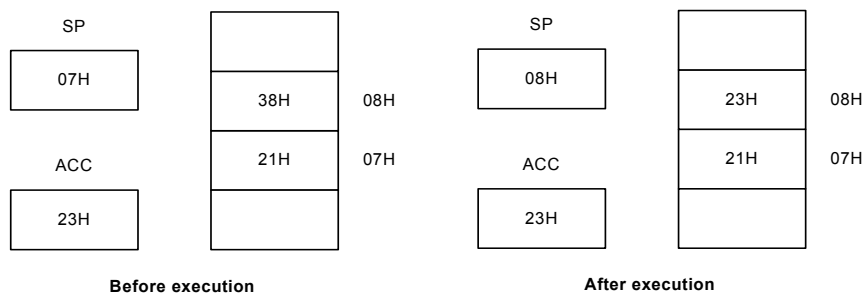


Figure 5-3 Stack byte order for PUSH A instruction

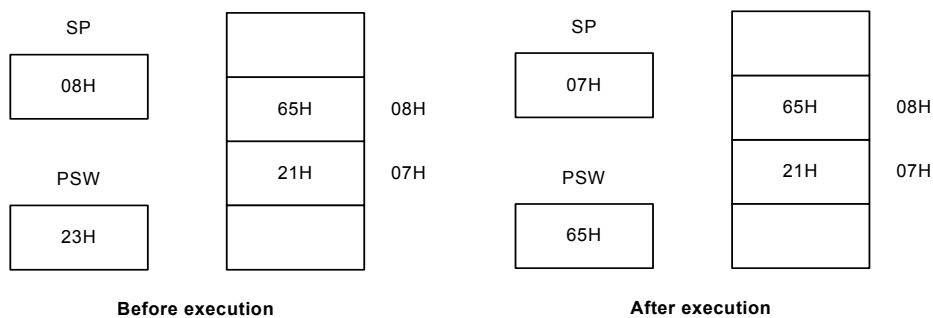


Figure 5-4 Stack byte order for POP PSW instruction

PCON			Address: 0x87		Power Configuration Register			
Bit	7	6	5	4	3	2	1	0
Function	SMOD0	--	CPU_IDLE	PWE	STOP_RST_EN	--	STOP	--
Default	0	0	0	0	0	0	0	0

Bit	Function	Type	Description	Condition
7	SMOD0	R/W	UART0 double baud rate bit when clocked by Timer1	
6	--	R/W	Reserved	
5	CPU_IDLE	R/W	IDLE mode enable bit 0: IDLE mode disabled ; 1: IDLE mode entered	
4	PWE	R/W	Program Write Enable (PWE) 0: Disable Flash write activity during MOVX instruction 1: Enable Flash write activity during MOVX instruction	
3	STOP_RST_EN	R/W	Wakeup state selection bit 0: Next instruction state after wakeup 1: Reset state afer wakeup	
2	--	R/W	Reserved	

Bit	Function	Type	Description	Condition
1	STOP	R/W	STOP mode enable bit 0: Disabled 1: Enabled	
0	--	R/W	Reserved	

Table 5-8 The PCON register

DPH0			Address: 0x83		Data Pointer Register - high byte			
Bit	7	6	5	4	3	2	1	0
Function	DPTR0[15:8]							
Default	0	0	0	0	0	0	0	0

Bit	Function	Type	Description	Condition
7:0	DPTR0[15:8]	R/W	Data pointer register DPTR0 - high byte	

Table 5-9 The DPH0 register

DPL0			Address: 0x82		Data Pointer Register - low byte			
Bit	7	6	5	4	3	2	1	0
Function	DPTR0[7:0]							
Default	0	0	0	0	0	0	0	0

Bit	Function	Type	Description	Condition
7:0	DPTR0[7:0]	R/W	Data pointer register DPTR0 - low byte	

Table 5-10 The DPL0 register

DPH1			Address: 0x85		Data Pointer 1 Register - high byte			
Bit	7	6	5	4	3	2	1	0
Function	DPTR1[15:8]							
Default	0	0	0	0	0	0	0	0

Bit	Function	Type	Description	Condition
7:0	DPTR1[15:8]	R/W	Data pointer 1 register DPTR1 - high byte	

Table 5-11 The DPH1 register

DPL1			Address: 0x84		Data Pointer 1 Register - low byte			
Bit	7	6	5	4	3	2	1	0
Function	DPTR1[7:0]							
Default	0	0	0	0	0	0	0	0

Bit	Function	Type	Description	Condition
7:0	DPTR1[7:0]	R/W	Data pointer 1 register DPTR1 - low byte	

Table 5-12 The DPL1 register

DPS			Address: 0x86		Data Pointer Select Register			
Bit	7	6	5	4	3	2	1	0
Function	ID1	ID0	TSL	-	-	-	-	SEL
Default	0	0	0	0	0	0	0	0

Bit	Function	Type	Description	Condition
7:6	ID[1:0]	R/W	Increment/decrement function select. See Table 5-14	
5	TSL	R/W	Toggle select enable bit 0: DPTR related instructions do not affect state of SEL bit 1: DPTR related instructions to toggle the SEL bit	
4:1	--	R/W	Reserved	
0	SEL	R/W	Active data pointer select bit See Table 5-14	

Table 5-13 The DPS register

ID1	ID0	SEL=0	SEL=1
0	0	INC DPTR0	INC DPTR1
0	1	DEC DPTR0	INC DPTR1
1	0	INC DPTR0	DEC DPTR1
1	1	DEC DPTR0	DEC DPTR1

Table 5-14 DPTR0/DPTR1 operations

SP			Address: 0x81		Stack Pointer Register			
Bit	7	6	5	4	3	2	1	0
Function	SP[7:0]							
Default	0	0	0	0	0	1	1	1

Bit	Function	Type	Description	Condition
7:0	SP[7:0]	R/W	Stack pointer	

Table 5-15 The SP register

5.3. Special Function Registers(SFR)

GPM8F3132A/3116A/3108A has up to 120/118/117 control registers for special function registers. All of the SFRs are used by MCU and peripheral function block for controlling the desired operation. Some of the SFRs contain control and status bits for peripheral module such as Timer unit, Interrupt control unit, etc. Some of bits in SFRs are read only, so write to those bits don't

have any effect on corresponding bits. Some SFRs have key code design that KEYCODE register must be written with correct key codes, in sequence, before writing a value to it for software security. The following table shows the summary of the SFRs. The detailed information of each SFRs are explained in each peripheral section.

Addr	Function	Key Code	Reset Value	7	6	5	4	3	2	1	0
0x80	P0		0xFF	Port 0							
0x81	SP		0x07	Stack Pointer							
0x82	DPL0		0x00	Data pointer register DPTR0 - low byte							
0x83	DPH0		0x00	Data pointer register DPTR0 - high byte							

Addr	Function	Key Code	Reset Value	7	6	5	4	3	2	1	0
0x84	DPL1		0x00	Data pointer register DPTR1 - low byte							
0x85	DPH1		0x00	Data pointer register DPTR1 - high byte							
0x86	DPS		0x00	ID1	ID0	TSL	--	--	--	--	SEL
0x87	PCON		0x00	SMOD0	--	CPU_IDLE	PWE	STOP_RST_EN	--	STOP	--
0x88	TCON		0x00	TF1	TR1	TF0	TR0	IE1	IT1	IE0	IT0
0x89	TMOD		0x00	GATE1	CT1	M11	M10	GATE0	CT0	M01	M00
0x8A	TL0		0x00	Timer 0 Load value – low byte							
0x8B	TL1		0x00	Timer 1 Load value – low byte							
0x8C	TH0		0x00	Timer 0 Load value – high byte							
0x8D	TH1		0x00	Timer 1 Load value – high byte							
0x8E	CKCON		0x01	WD1	WD0	--	T1M	T0M	--	--	--
0x8F	RSTCON	4F,72,7A	0x10	CB_P_ENB	LP_E_ENB	FLASH_FLOW_ENB	XADDR_ENB	--	CHIP_E_ENB	MISS_CLK_ENB	FLASH_ERR_ENB
0x90	P1		0xff	Port 1							
0x91	EIF		0x00	--	--	--	INT6F	INT5F	INT4F	INT3F	--
0x94	RSTSTS		0x00	--	MISS_CLK_RST	STOP_RST	FLASH_ERR_RST	S/W_RST	WDT_RST	LVR_RST	RAD_RST
0x96	BIP		0x00	--	--	POC	PAUDIO	PADC	PHS_CHG	PMOTOR	PMERR
0x97	BIF		0x00	--	--	OCF	AUDIOF	ADCF	HS_CHGF	MOTORF	MERRF
0x98	SCON0		0x00	SM00	SM01	SM02	REN0	TB08	RB08	TI0	RI0
0x99	SBUF0		0x00	UART 0 buffer							
0x9A	P0_PU		0xFF	P07_PU	P06_PU	P05_PU	P04_PU	P03_PU	P02_PU	P01_PU	P00_PU
0x9B	P0_PD		0x00	P07_PD	P06_PD	P05_PD	P04_PD	P03_PD	P02_PD	P01_PD	P00_PD
0x9C	P1_PU		0xFF	P17_PU	P16_PU	P15_PU	P14_PU	P13_PU	P12_PU	P11_PU	P10_PU
0x9D	P1_PD		0x00	P17_PD	P16_PD	P15_PD	P14_PD	P13_PD	P12_PD	P11_PD	P10_PD
0x9E	P2_PU		0xFF	P27_PU	P26_PU	P25_PU	P24_PU	P23_PU	P22_PU	P21_PU	P20_PU
0x9F	P2_PD		0x00	P27_PD	P26_PD	P25_PD	P24_PD	P23_PD	P22_PD	P21_PD	P20_PD
0xA0	P2		0xFF	Port 2							
0xA1	P4		0xFF	Port 4							
0xA2	P3_PU		0xFF	P37_PU	P36_PU	P35_PU	P34_PU	P33_PU	P32_PU	P31_PU	P30_PU
0xA3	P3_PD		0x00	P37_PD	P36_PD	P35_PD	P34_PD	P33_PD	P32_PD	P31_PD	P30_PD
0xA4	P4_PU		0xFF	--	P46_PU	P45_PU	P44_PU	P43_PU	P42_PU	P41_PU	P40_PU
0xA5	P4_PD		0x00	--	P46_PD	P45_PD	P44_PD	P43_PD	P42_PD	P41_PD	P40_PD
0xA6	FLASHERRF		0x00	CB_P_F	LP_E_F	FLASH_FLOW_F	XADDR_F	--	CHIP_E_F	--	--
0xA7	SYSCON2	FF,00	0x00	ADCLKX2	--	INT_filter_en	GPIO_SSO	SCHMIT_DIS_P3	SCHMIT_DIS_P2	SCHMIT_DIS_P1	SCHMIT_DIS_P0
0xA8	IE		0x00	EA	--	ET2	ES0	ET1	EX1	ET0	EX0
0xA9	PWMCON9		0x00	--	--	PWM5_POL	PWM4_POL	PWM3_POL	PWM2_POL	PWM1_POL	PWM0_POL
0xAA	CMPCON1 (GPM8F3132A) (GPM8F3116A)		0x04	--	--	--	P41_AEN	P40_AEN	HU_DET_SEL	SCHMIT_EN	CMP_EN
0xAB	CMPCON2		0x00	--	--	OC_status	TRIM_VOSP	TRIM_VOSN	OC_SEL	CMPOC_EN	OP_EN
0xAD	SRCON		0xFF	--	--	--	P4_SR	P3_SR	P2_SR	P1_SR	P0_SR

Addr	Function	Key Code	Reset Value	7	6	5	4	3	2	1	0
0xAE	SYSCON0	FF,00	0x00	LVRENB	--	--	AUDIO_N DIS	--	CLKOUT_EN	CCOUTENB	SCHMIT_D IS_P4
0xAF	SYSCON1	FF,00	0x03	T2CLK_SW	HV_SEL	SPI1_EN	SPIO_EN	--	--	--	--
0xB0	P3		0xFF	Port 3							
0xB1	PWMIF		0x00	--	HS_CHGF	PERIODF	CAP2F	CAP1F	CAP0F	--	OCF
0xB2	PWMIE		0x00	MATCHIE	HS_CHGIE	PERIODIE	CAP2IE	CAP1IE	CAP0IE	--	OCIE
0xB3	AUDCON		0x00	--	--	--	--	AUDIO_MODE	AUDIOIE	AUDIO_FRE Q_SEL	AUDIO_EN
0xB4	AUDBUF		0x80	AUDBUF[7:0]							
0xB5	PWMCON8		0x00	SIN_LOSE_LEVEL[3:0]				--	MOS_PRO_SEL[1:0]		MOS_PRO_EN
0xB6	WKUEN	AF,50	0x07	--	INT6_WKUEN	INT5_WKUEN	INT4_WKUEN	INT3_WKUEN	--	INT1_WKUEN	INT0_WKUEN
0xB7	CONFIG_BYTE		0xFF	--	--	LVRVSEL	--	--	--	IOSEL	CODE_LOCK
0xB8	IP		0x00	--	--	PT2	PS0	PT1	PX1	PT0	PX0
0xB9	PWMCON1		0x00	PWM_EN	MATCH_EN	TMR5EN	--	SYNC_DECT	TYPE	PWMCK_SEL[1:0]	
0xBA	MDPRDL		0x01	PWM Period : MDPRD[7:0]							
0xBB	MDPRDH		0x00	--	--	--	--	PWM Period : MDPRD[11:8]			
0xBC	DTR		0x00	PWM Dead Time Period : DTR[7:0]							
0xBD	PWMSINCON (GPM8F3132A)		0x00	SFR_ANG_ EN	--	--	--	PHASE_ DIRECT	HALL_SA TRT	FLOAT_DI S	SIN_EN
0xBE	ADDR_OFFSETL (GPM8F3132A)		0x00	ADDR_OFFSET[7:0]							
0xBF	ADDR_OFFSETH (GPM8F3132A)		0x00	ADDR_OFFSET[15:8]							
0xC2	CCL1		0x00	Timer2cc compare/capture 1 low byte							
0xC3	CCH1		0x00	Timer2cc compare/capture 1 high byte							
0xC4	CCL2		0x00	Timer2cc compare/capture 2 low byte							
0xC5	CCH2		0x00	Timer2cc compare/capture 2 high byte							
0xC6	CCL3		0x00	Timer2cc compare/capture 3 low byte							
0xC7	CCH3		0x00	Timer2cc compare/capture 3 high byte							
0xC8	T2CON		0x00	T2PS	I3FR	--	T2R1	T2R0	T2CM	T2I1	T2I0
0xC9	T2IF		0x00	--	--	--	--	--	EXEN2	EXF2	TF2
0xCA	CRCL		0x00	CRC register – Low byte							
0xCB	CRCH		0x00	CRC register – High Byte							
0xCC	TL2		0x00	Timer 2 Load value – low byte							
0xCD	TH2		0x00	Timer 2 Load value – high byte							
0xCE	CCEN		0x00	CMH3	CML3	CMH2	CML2	CMH1	CML1	CMH0	CML0
0xCF	PWMCON5		0x00	OC_FILTER_ SEL	TIMER5_CKSEL[2:0]			PERIOD_TRIG_MD [1:0]		--	OC_EN
0xD0	PSW		0x00	CY	AC	F0	RS1	RS0	OV	F1	P
0xD1	CMP0L		0xa0	CMP0 compare level: CMP0[7:0]							
0xD2	CMP0H		0x00	--	--	--	--	CMP0[11:8]			
0xD3	CMP1L		0xb0	CMP1 compare level: CMP1[7:0]							
0xD4	CMP1H		0x00	--	--	--	--	CMP1[11:8]			
0xD5	CMP2L		0xc0	CMP2 compare level: CMP2[7:0]							

Addr	Function	Key Code	Reset Value	7	6	5	4	3	2	1	0	
0xD6	CMP2H		0x00	--	--	--	--	CMP2[11:8]				
0xD7	PWMCON6		0x00	HS_SWITCH[2:0]			HW_INV	HV_INV	HU_INV	CAP_SEL	HS_SEL	
0xD8	WDCON		0x00	--	--	--	--	WDIF	WTRF	EWT	RWT	
0xD9	PWMCON2		0x00	PWMSYNC_ADC	--	PWM45_EN	PWM23_EN	PWM01_EN	PWM45_MODE	PWM23_MODE	PWM01_MODE	
0xDA	PWMCON3		0x00	PWM_SYNC	--	PWM5_AUTO	PWM4_AUTO	PWM3_AUTO	PWM2_AUTO	PWM1_AUTO	PWM0_AUTO	
0xDB	PWMOV RD		0x00	--	--	PWM5_OVRD	PWM4_OVRD	PWM3_OVRD	PWM2_OVRD	PWM1_OVRD	PWM0_OVRD	
0xDC	PWMCON3_BUF		0x00	--	--	PWMCON3_BUF[5:0]						
0xDD	CAP0CON		0x00	--	--	--	TF5	CAP0_TMR5_RST	--	CAP0_MODE[1:0]		
0xDE	CAP1CON		0x00	--	--	--	--	CAP1_TMR5_RST	--	CAP1_MODE[1:0]		
0xDF	CAP2CON		0x00	--	--	--	--	CAP2_TMR5_RST	--	CAP2_MODE[1:0]		
0xE0	ACC		0x00	ACC register								
0xE1	PWMCON4		0x00	ROTOR_STATUS[2:0]			--	MATCHF	MATCH_VALUE[2:0]			
0xE2	CAP0BUFL		0x9C	CAP0BUF[7:0]								
0xE3	CAP0BUFH		0x02	CAP0BUF[15:8]								
0xE4	CAP1BUFL		0x9C	CAP1BUF[7:0]								
0xE5	CAP1BUFH		0x02	CAP1BUF[15:8]								
0xE6	CAP2BUFL		0x9C	CAP2BUF[7:0]								
0xE7	CAP2BUFH		0x02	CAP2BUF[15:8]								
0xE8	EIE		0x00	-	-	EWDI	EINT6	EINT5	EINT4	EINT3	--	
0xEA	PWMOV RD_BUF		0x00	PWMOV RD_BUF[5:0]								
0xEB	TA		0x00	Timed Access protection register (0xaa→0x55)								
0xEC	FLASHCON		0x00	--	--	--	--	--	M_ERASE	P_ERASE	PROG	
0xED	FL_LEVEL		0x00	--	--	FLASH_LEVEL[5:0]						
0xEE	ADCPWM		0x00	ADC_SYNC_SHIFT[2:0]					ADC_SYNC_MODE[1:0]			
0xEF	KEYCODE		0x00	KC7	KC6	KC5	KC4	KC3	KC2	KC1	KC0	
0xF0	B		0x00	B register								
0xF1	ADCON		0x00	WINF	READYF	WIN_SEL	WINIE	ADIE	--	PSIDLE	START	
0xF2	ADCFG		0x00	AD_BITSEL	CH_SEL[2:0]			SHCLK[1:0]		ADCLK[1:0]		
0xF3	ADAEN		0x00	P07_AEN	P06_AEN	P05_AEN	P04_AEN	P03_AEN	P02_AEN	P01_AEN	P00_AEN	
0xF4	ADOL			--	--	--	--	ADO[3:0]				
0xF5	ADOH			ADO[11:4]								
0xF6	ADLB		0x00	ADLB[7:0]								
0xF7	ADUB		0x00	ADUB[7:0]								
0xF8	EIP		0x00	--	--	PWDI	PINT6	PINT5	PINT4	PINT3	--	
0xF9	IOSCCON		0x09	XTO_AEN	XTI_AEN	XTAL_PAD_EN	OSC_SEL[1:0]		CLKDIV[2:0]			
0xFA	IOSCT0		0x18	--	--	TEMP_TRIM[2:0]			XFCN[2:0]			
0xFB	IOSCT1			OSC_TRIM[2:0]			OSC_TUNE[4:0]					
0xFC	SPICON		0x00	PO-LARITY	PHASE	SPI_CLK_SEL[1:0]		CSB_KEEP	--	SPI_RD	SPI_START	
0xFD	SPITXD		0x00	SPI TX Data[7:0]								

Addr	Function	Key Code	Reset Value	7	6	5	4	3	2	1	0
0xFE	SPIRXD		0x00	SPI RX Data[7:0]							

5.4. Clock Source

GPM8F3132A/3116A/3108A has three clock sources including internal oscillator (24.5MHz), external crystal and external clock source. These three clocks are chosen to be system clock source by controlling OSC_SEL[1:0] bits of IOSCCON register. In addition, a clock divisor for the system clock source is contained to obtain different frequencies. There are eight selection totally and

can be controlled by CLKDIV[2:0] bits of IOSCCON register. User can monitor the frequency of SYSCLK on P35 by setting SYSCON0[2]. The block diagram of clock source and detailed description of IOSCCON register are shown in Figure 5-5 and Table 5-16 respectively.

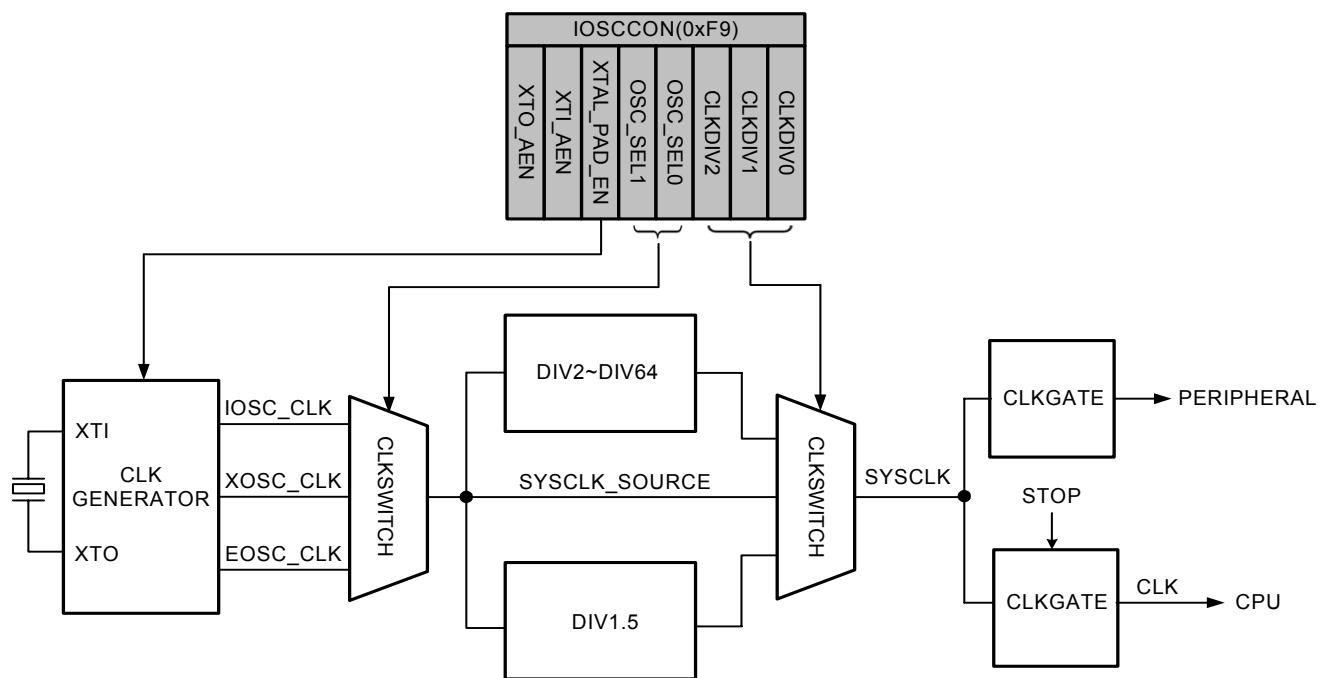


Figure 5-5 The block diagram of clock sources

If crystal mode is utilized, different frequencies can be selected by IOSCT0[2:0] as shown in Table 5-18 and software should delay a period of time according to different crystals for clock stable time. In order to enter stop mode, XTAL_PAD_EN should be turned off before PCON[1] is set to '1'. If internal oscillator mode is utilized,

tuning frequencies is possible through IOSCT1[7:0]. If IOSCT1[7:5] is used for trimming bit, each step of frequency is 10%. If IOSCT1[4:0] is used for trimming bit, each step of frequency is 0.4% for fine-tuning. The IOSCT1 register is shown in Table 5-19.

IOSCCON			Address: 0xF9		IOSC Control Register				
Bit	7	6	5	4	3	2	1	0	
Function	XTO_AEN	XTI_AEN	XTAL_PAD_EN	OSC_SEL[1:0]		CLKDIV[2:0]			
Default	0	0	0	0	1	0	0	1	

Bit	Function	Type	Description
7	XTO_AEN	R/W	XTO analog PAD enable control bit 0: XTO can be I/O PAD 1: XTO can be analog PAD

Bit	Function	Type	Description																		
6	XTI_AEN	R/W	XTI analog PAD enable control bit 0: XTI can be I/O PAD 1: XTI can be analog PAD																		
5	XTAL_PAD_EN	R/W	If using XTAL or ECLK, XTAL_PAD_EN should be set first for OSC_SEL selection.																		
4:3	OSC_SEL[1:0]	R/W	00: Internal ROSC 01: Internal ROSC 10: XTAL 11: External CLK If using XTAL, OSC_SEL[1](XTAL_EN) should be set after XOSC_CLK is stable																		
2:0	CLK_DIV	R/W	System Clock source divider <table border="1" style="margin-left: 20px;"> <thead> <tr> <th>CLK_DIV</th> <th>Clock control</th> </tr> </thead> <tbody> <tr> <td>000</td> <td>SYSCLK_SOURCE</td> </tr> <tr> <td>001</td> <td>SYSCLK_SOURCE/2</td> </tr> <tr> <td>010</td> <td>SYSCLK_SOURCE/4</td> </tr> <tr> <td>011</td> <td>SYSCLK_SOURCE/8</td> </tr> <tr> <td>100</td> <td>SYSCLK_SOURCE/16</td> </tr> <tr> <td>101</td> <td>SYSCLK_SOURCE/32</td> </tr> <tr> <td>110</td> <td>SYSCLK_SOURCE/64</td> </tr> <tr> <td>111</td> <td>SYSCLK_SOURCE/1.5</td> </tr> </tbody> </table>	CLK_DIV	Clock control	000	SYSCLK_SOURCE	001	SYSCLK_SOURCE/2	010	SYSCLK_SOURCE/4	011	SYSCLK_SOURCE/8	100	SYSCLK_SOURCE/16	101	SYSCLK_SOURCE/32	110	SYSCLK_SOURCE/64	111	SYSCLK_SOURCE/1.5
CLK_DIV	Clock control																				
000	SYSCLK_SOURCE																				
001	SYSCLK_SOURCE/2																				
010	SYSCLK_SOURCE/4																				
011	SYSCLK_SOURCE/8																				
100	SYSCLK_SOURCE/16																				
101	SYSCLK_SOURCE/32																				
110	SYSCLK_SOURCE/64																				
111	SYSCLK_SOURCE/1.5																				

Table 5-16 The IOSCCON register

SYSCON0			Address: 0xAE		SYSTEM control0 Register			
Bit	7	6	5	4	3	2	1	0
Function	LVRENB	--	--	AUDIO_N_DIS	--	CLKOUT_EN	CCOUTENB	SCHMIT_DIS_P4
Default	0	0	0	0	0	0	0	0
Key Code	FF,00							

Bit	Function	Type	Description	Condition
7	LVRENB	R/W	LVR enable control 0: enable LVR function 1: disable LVR function	
6:5	--	--	Reserved	
4	AUDIO_N_DIS	R/W	AUDIO_N disable bit available only if audio function is enabled 0: P36/P37 are output simultaneously as AUDIO_N/P 1: Only P37 is output as AUDIO_P	
3	--	--	Reserved	
2	CLKOUT_EN	R/W	Clock output enable bit (SYSCLK is output on P35)	
1	CCOUTENB	R/W	Disable output function of compare mode in Timer2 0: P1[3:1] = {compare3,compare2,compare1} 1: P1[3:1] is GPIO	
0	SCHMIT_DIS_P4	R/W	P4 schmitt trigger function disable control bit	

Table 5-17 SYSCON0 register

IOSCT0			Address: 0xFA		IOSC Timing 0 Register			
Bit	7	6	5	4	3	2	1	0
Function	--	--	TEMP_TRIM[2:0]			XFCN[2:0]		
Default	0	0	0	1	1	0	0	0

Bit	Function	Type	Description	Condition	
7:6	--	R/W	Reserved		
5:3	TEMP_TRIM[2:0]	R/W	Temperature coefficient trimming(011: default)		
2:0	XFCN[2:0]	R/W	External XTAL Freq control bit (XTAL_PAD_EN need to be1)		
			XFCN	XTAL(HZ)	
			000	F=32768Hz(weak)	
			001	F=32768Hz(strong)	
			010	1MHz<F<4MHz	
			011	4MHz<F<8MHz	
			100	8MHz<F<12MHz	
			101	12MHz<F<16MHz	
			110	16MHz<F<20MHz	
111	25MHz>F>20MHz				

Table 5-18 The IOSCT0 register

IOSCT1			Address: 0xFB		IOSC Control Timing 1 Register			
Bit	7	6	5	4	3	2	1	0
Function	OSC_TRIM[2:0]			OSC_TUNE[4:0]				
Default								

Bit	Function	Type	Description	Condition
7:5	OSC_TRIM[2:0]	R/W	Internal OSC frequency trimming bit, 10% each step	
4:0	OSC_TUNE[4:0]	R/W	Internal OSC frequency trimming bit, 0.4% each step	

Table 5-19 The IOSCT1 register

5.5. Power Saving Mode

5.5.1. Introduction

Although GPM8F3132A/3116A/3108A is a high-speed microcontrollers designed for maximum performance, it also provide Power Management Unit (PMU) with two advanced power conservation modes. These modes are IDLE mode, and STOP mode. In order to reduce the current consumption when system does not need to be active, STOP mode can be utilized. For more information about these two modes, please see the following two sections.

5.5.2. IDLE mode

The IDLE Mode reduces power consumption by turning off the clock provided to the microcontroller, causing MCU to stop to execute following instruction. IDLE mode is entered by setting the CPU_IDLE bit (PCON[5]). In this mode, peripheral clock is

not turned off, so peripheral device can still work normally.

5.5.3. STOP mode

STOP mode is the lowest power states that the microcontroller can enter. It is achieved by cutting-off frequency provided to SYSCLK, resulting in a fully static condition. No processing is possible, timers are stopped, and no serial communication is executed. Processor operation will be postponed on the instruction that sets the STOP bit. STOP mode can be exited in the following ways:

- i. A non-clocked interrupt such as the external interrupts INT0-INT6 can be used. Clocked interrupts such as the watchdog timer, internal timers, and serial ports do not operate in STOP mode. Processor operation will resume with the fetching of the interrupt vector associated with the interrupt that caused the exit from STOP mode. When the interrupt service routine is

completed, RETI returns the program to the instruction immediately following the one that invoked the STOP mode. When INT0~INT6 are used for wakeup source, WKUEN register must be set as shown in Table 5-22. There are two selections of the place of instruction execution after wakeup when entering STOP mode and the control bit is in POCN[3]. If STOP_RST_EN

is set to '1', reset state will take place after wakeup; otherwise, next instruction will be executed. Table 5-20 shows the three modes in GPM8F3132A/3116A/3108A.

ii. RESET pin cause exit from stop mode and the processor operation will resume execution at address 0x0000.

	System Clock	Peripheral clock	Wakeup source	After wakeup
RUN Mode	Register setting	Register setting	--	--
IDLE Mode	OFF	ON	1. All wakeup sources 2. All interrupt sources	Next instruction state
STOP Mode	OFF	OFF	1. All wakeup sources	Reset state or next instruction state base on PCON[3]

Table 5-20 The three operation modes for GPM8F3132A/3116A/3108A

PCON			Address: 0x87		Power Configuration Register			
Bit	7	6	5	4	3	2	1	0
Function	SMOD0	--	CPU_IDLE	PWE	STOP_RST_EN	--	STOP	--
Default	0	0	0	0	0	0	0	0

Bit	Function	Type	Description	Condition
7	SMOD0	R/W	UART0 double baud rate bit when clocked by Timer1	
6	--	R/W	Reserved	
5	CPU_IDLE	R/W	IDLE mode enable bit 0: IDLE mode disabled ; 1: IDLE mode entered	
4	PWE	R/W	Program Write Enable (PWE) 0: Disable Flash write activity during MOVX instruction 1: Enable Flash write activity during MOVX instruction	
3	STOP_RST_EN	R/W	Wakeup state selection bit 0: Next instruction state after wakeup 1: Reset state afer wakeup	
2	--	R/W	Reserved	
1	STOP	R/W	STOP mode enable bit 0: Disabled 1: Enabled	
0	--	R/W	Reserved	

Table 5-21 The PCON register

WKUEN			Address: 0xB6		Wake Up Enable Register			
Bit	7	6	5	4	3	2	1	0
Function	--	INT6_WKUEN	INT5_WKUEN	INT4_WKUEN	INT3_WKUEN	--	INT1_WKUEN	INT0_WKUEN
Default	0	0	0	0	0	1	1	1
Key Code	AF, 50							

Bit	Function	Type	Description	Condition
7	--	R/W	Reserved	

Bit	Function	Type	Description	Condition
6	INT6_WKUEN	R/W	INT6 PAD wake up enable control, active high	
5	INT5_WKUEN	R/W	INT5 PAD wake up enable control, active high	
4	INT4_WKUEN	R/W	INT4 PAD wake up enable control, active high	
3	INT3_WKUEN	R/W	INT3 PAD wake up enable control, active high	
2	--	R/W	Reserved	
1	INT1_WKUEN	R/W	INT1 PAD wake up enable control, active high	
0	INT0_WKUEN	R/W	INT0 PAD wake up enable control, active high	

Table 5-22 The WKUEN register

5.6. Interrupt System

5.6.1. Introduction

The GPM8F3132A/3116A/3108A provides 22 types of interrupt sources (including 16 interrupt sources of standard 8051 and additional 6 interrupt sources) with two levels interrupt priority control which tabled in Table 5-23. For standard 8051 interrupt sources, each interrupt can be in high or low level priority group by setting or clearing a bit in the IP(0xB8) and EIP(0xF8) registers. INT0 has the top priority in default state and user can choose the related interrupt source to be the top priority by IP register. For additional interrupt sources, high or low level priority group is set or cleared a bit in the BIP(0x96).

Interrupt requests are sampled each system clock at the rising edge of clock control. Each interrupt vector can be individually enabled or disabled by setting or clearing a corresponding bit in the IE(0xA8), EIE(0xE8). The IE contains global interrupt system disable(0) / enable(1) bit called EA.

In general, once an interrupt event occurs, the corresponding flag bit will be set. The related registers of interrupt flag are described as below.

If the related interrupt control bit is set to enable interrupt, an

interrupt request signal will be generated and then CPU executes service routine. If the related interrupt control bit is disabled, programmer still can observe the corresponding flag bit, but no interrupt request signal will be generated. The interrupt flag bits must be cleared in the interrupt service routine to prevent program from deadlock in interrupt service routine. With any instruction, interrupts pending during the previous instruction is served. Before entering interrupt service routine, the system saves the current PC address into top of stack pointer and jumps to corresponding vector to execute the interrupt service. After finishing the interrupt service, the system abstract the return PC address from the top of the stack to execute the following instruction.

As to additional six interrupt sources, each interrupt vector can be individually enabled or disabled by setting or clearing a corresponding bit in the AUDCON(0xB3), PWMIE(0xB2), ADCON(0xF1) and RSTCON(0x8F). The corresponding flag can be found in BIF(0x97), PWMIF(0xB1) and ADCON(0xF1). For detail description, please refer to related block.

Interrupt flag	Function	Active level/edge	Flag resets	Vector	Vector number	Priority
IE0	Device pin INT 0	Low/Falling	Hardware	0x03	0	1
TF0	Internal Timer 0	-	Hardware	0x0B	1	2
IE1	Device pin INT 1	Low/Falling	Hardware	0x13	2	3
TF1	Internal Timer 1	-	Hardware	0x1B	3	4
AUDIOF TI0 & RI0	AUDIO interrupt Internal UART0	-	Software(cleared by 1) Software(cleared by 0)	0x23	4	5
MOTORF TF2 EXF2	MOTOR_PWM interrupt Internal Timer2 Timer2 external reload	-	Software(cleared by 1) Software(cleared by 0) Software(cleared by 0)	0x2B	5	6
ADCF	ADC interrupt	-	Software(cleared by 1)	0x33	6	7
Reserved	--	--	--	0x3B	7	8
INT3F	Device pin /INT3 Internal Compare 0	Low	Hardware Software(cleared by 1)	0x43	8	9
INT4F	Device pin /INT4 Internal Compare 1	Low	Hardware Software(cleared by 1)	0x4B	9	10

Interrupt flag	Function	Active level/edge	Flag resets	Vector	Vector number	Priority
INT5F	Device pin /INT5 Internal Compare 2	Falling	Software(cleared by 1) Software(cleared by 1)	0x53	10	11
INT6F	Device pin /INT6 Internal Compare 3	Falling	Software(cleared by 1) Software(cleared by 1)	0x5B	11	12
WDIF	Internal Watchdog	-	Software(cleared by 0)	0x63	12	13
MERRF	Memory access Error	-	Software(cleared by 1)	0x6B	13	14
OCF	Over-current interrupt	Falling	Software(cleared by 1)	0x73	14	15
HS_CHGF	HS changes interrupt	Falling	Software(cleared by 1)	0x7B	15	16

Note1: Interrupt is also generated at falling edge of T2EX pin, while EXEN2 bit is set. This interrupt doesn't set TF2 flag, but EXF2 only and uses 0x2B vector.

Note2: External interrupt pins are activated at low level or by a falling edge.

Note3: MOTORF can only be read in BIF register. It contains five kinds of flags which are described in PWMIF register.

Table 5-23 Summaries of all interrupt sources

IP			Address: 0xB8		Interrupt Priority Register			
Bit	7	6	5	4	3	2	1	0
Function	-	--	PT2	PS0	PT1	PX1	PT0	PX0
Default	0	0	0	0	0	0	0	0

Bit	Function	Type	Description	Condition
7:6	--	R/W	Reserved	
5	PT2	R/W	Timer 2 priority level control (1: high level)	
4	PS0	R/W	UART0 priority level control (1: high level)	
3	PT1	R/W	Timer 1 priority level control (1: high level)	
2	PX1	R/W	INT1 priority level control (1: high level)	
1	PT0	R/W	Timer 0 priority level control (1: high level)	
0	PX0	R/W	INT0 priority level control (1: high level)	

Table 5-24 IP register

EIP			Address: 0xF8		Extended Interrupt Priority Register			
Bit	7	6	5	4	3	2	1	0
Function	--	--	PWDI	PINT6	PINT5	PINT4	PINT3	--
Default	0	0	0	0	0	0	0	0

Bit	Function	Type	Description	Condition
7	--	R/W	Reserved	
6	--	R/W	Reserved	
5	PWDI	R/W	Watchdog priority level control (1: high level)	
4	PINT6	R/W	INT6/Compare3 priority level control (1: high level)	
3	PINT5	R/W	INT5/Compare2 priority level control (1: high level)	
2	PINT4	R/W	INT4/Compare1 priority level control (1: high level)	
1	PINT3	R/W	INT3/Compare0 priority level control (1: high level)	
0	--	R/W	Reserved	

Table 5-25 EIP register

BIP			Address: 0x96		Additional Interrupt Priority Register			
Bit	7	6	5	4	3	2	1	0
Function	--	--	POC	PAUDIO	PADC	PHS_CHG	PMOTOR	PMERR
Default	0	0	0	0	0	0	0	0

Bit	Function	Type	Description	Condition
7	--	R/W	Reserved	
6	--	R/W	Reserved	
5	POC	R/W	Over-current priority level control (1: high level)	
4	PAUDIO	R/W	AUDIO priority level control (1: high level)	
3	PADC	R/W	ADC priority level control (1: high level)	
2	PHS_CHG	R/W	Hall-sensor change priority level control (1: high level)	
1	PMOTOR	R/W	MOTOR_PWM priority level control (1: high level)	
0	PMERR	R/W	MERR priority level control (1: high level)	

Table 5-26 BIP register

IE			Address: 0xA8		Interrupt Enable Register			
Bit	7	6	5	4	3	2	1	0
Function	EA	--	ET2	ES0	ET1	EX1	ET0	EX0
Default	0	0	0	0	0	0	0	0

Bit	Function	Type	Description	Condition
7	EA	R/W	Enable global interrupts	
6	--	R/W	Reserved	
5	ET2	R/W	Enable Timer 2 interrupt	
4	ES0	R/W	Enable UART0 interrupt	
3	ET1	R/W	Enable Timer 1 interrupt	
2	EX1	R/W	Enable INT1 interrupt	
1	ET0	R/W	Enable Timer 0 interrupt	
0	EX0	R/W	Enable INT0 interrupt	

Table 5-27 IE register

EIE			Address: 0xE8		Extended Interrupt Enable Register			
Bit	7	6	5	4	3	2	1	0
Function	-	-	EWDI	EINT6	EINT5	EINT4	EINT3	--
Default	0	0	0	0	0	0	0	0

Bit	Function	Type	Description	Condition
7	--	R/W	Reserved	
6	--	R/W	Reserved	
5	EWDI	R/W	Enable watchdog interrupt	
4	EINT6	R/W	Enable INT6/Compare3 interrupts	
3	EINT5	R/W	Enable INT5/Compare2 interrupts	
2	EINT4	R/W	Enable INT4/Compare1 interrupts	
1	EINT3	R/W	Enable INT3/Compare0 interrupts	
0	--	R/W	Reserved	

Table 5-28 EIE register

TCON			Address: 0x88		Timer0/1 Configuration Register			
Bit	7	6	5	4	3	2	1	0
Function	TF1	TR1	TF0	TR0	IE1	IT1	IE0	IT0
Default	0	0	0	0	0	0	0	0

Bit	Function	Type	Description	Condition
7	TF1	R/W	Timer 1 interrupt (overflow) flag	
6	TR1	R/W	Timer 1 run control bit 0: disabled ; 1: enabled	
5	TF0	R/W	Timer 0 interrupt (overflow) flag	
4	TR0	R/W	Timer 0 run control bit 0: disabled ; 1: enabled	
3	IE1	R/W	INT1 interrupt flag	
2	IT1	R/W	INT1 level (at 0) / edge (at 1) sensitivity	
1	IE0	R/W	INT0 interrupt flag	
0	IT0	R/W	INT0 level (at 0) / edge (at 1) sensitivity	

Table 5-29 TCON register

T2IF			Address: 0xC9		Timer 2 Interrupt Flag Register			
Bit	7	6	5	4	3	2	1	0
Function	--	--	--	--	--	EXEN2	EXF2	TF2
Default	0	0	0	0	0	0	0	0

Bit	Function	Type	Description	Condition
7:3	--	R/W	Reserved	
2	EXEN2	R/W	Timer 2 external reload interrupt enable 0: external reload interrupt is disabled 1: external reload interrupt is enabled.	
1	EXF2	R/W	Timer 2 external reload flag Cleared by the software	
0	TF2	R/W	Timer 2 overflow flag Cleared by the software	

Table 5-30 T2IF register

WDCON			Address: 0xD8		Watchdog Control Register			
Bit	7	6	5	4	3	2	1	0
Function	--	--	--	--	WDIF	WTRF	EWT	RWT
Default	0	0	0	0	0	0	0	0

Bit	Function	Type	Description	Condition
7:4	--	R/W	Reserved	
3	WDIF	R/W	Watchdog interrupt flag	
2	WTRF	R/W	Watchdog timer reset flag	
1	EWT	R/W	Watchdog timer reset enable bit 0: Disable; 1: Enable	
0	RWT	R/W	Reset watchdog timer	

Bit	Function	Type	Description	Condition
			0: NA; 1: Reset	

Table 5-31 WDCON register

SCON0			Address: 0x98		UART0 configuration register			
Bit	7	6	5	4	3	2	1	0
Function	SM00	SM01	SM02	REN0	TB08	RB08	TIO	RI0
Default	0	0	0	0	0	0	0	0

Bit	Function	Type	Description	Condition
7:6	SM0[1:0]	R/W	Mode and baud rate setting	
5	SM02	R/W	Enables a multiprocessor communication feature	
4	REN0	R/W	Enable serial reception.	
3	TB08	R/W	The 9th transmitted data bit in Modes 2 and Mode 3	
2	RB08	R/W	In Mode 0, this bit is not used In Mode 1, if SM02 is 0, RB08 is the stop bit. In Mode 2 and Mode 3, it is the 9 th data bit received.	
1	TIO	R/W	UART0 transmitter interrupt flag	
0	RI0	R/W	UART0 receiver interrupt flag	

Table 5-32 SCON0 register

EIF			Address: 0x91		Extended interrupt flag			
Bit	7	6	5	4	3	2	1	0
Function	--	--	--	INT6F	INT5F	INT4F	INT3F	--
Default	0	0	0	0	0	0	0	0

Bit	Function	Type	Description	Condition
7:5	--	R/W	Reserved	
4	INT6F	R/W	INT6 interrupt flag/ Compare3 interrupt flag	
3	INT5F	R/W	INT5 interrupt flag/ Compare2 interrupt flag	
2	INT4F	R/W	INT4 interrupt flag/ Compare1 interrupt flag	
1	INT3F	R/W	INT3 interrupt flag/ Compare0 interrupt flag	
0	--	R/W	Reserved	

Table 5-33 EIF register

BIF			Address: 0x97		Additional interrupt flag			
Bit	7	6	5	4	3	2	1	0
Function	--	--	OCF	AUDIOF	ADCF	HS_CHGF	MOTORF	MERRF
Default	0	0	0	0	0	0	0	0

Bit	Function	Type	Description	Condition
7:6	--	R/W	Reserved	
5	OCF	R	Over-current interrupt flag, cleared by 1 in PWMIF[0]	
4	AUDIOF	R/W	AUDIO interrupt flag, cleared by 1	
3	ADCF	R	ADC interrupt flag, cleared by 1 in ADCON register	
2	HS_CHGF	R	Hall-sensor change interrupt flag, cleared by 1 in PWMIF[6]	

Bit	Function	Type	Description	Condition
1	MOTORF	R	MOTOR_PWM interrupt flag, cleared by 1 in PWMIF register	
0	MERRF	R/W	Memory related error interrupt flag, cleared by 1	

Table 5-34 BIF register

5.7. Reset Sources

5.7.1. Introduction

There are eight types of reset sources for the GPM8F3132A/3116A/3108A including Power-On Reset (POR), Low Voltage Reset (LVR), Pad Reset (RAD_RST), Watchdog

Timer Reset (WDT_RST), Software Reset (S/W_RST), STOP mode Reset (STOP_RST), Flash Error Reset (FLASH_ERR_RST), and missing system clock Reset (MISS_CLK_RST). Figure 5-6 shows the block diagram of each reset source.

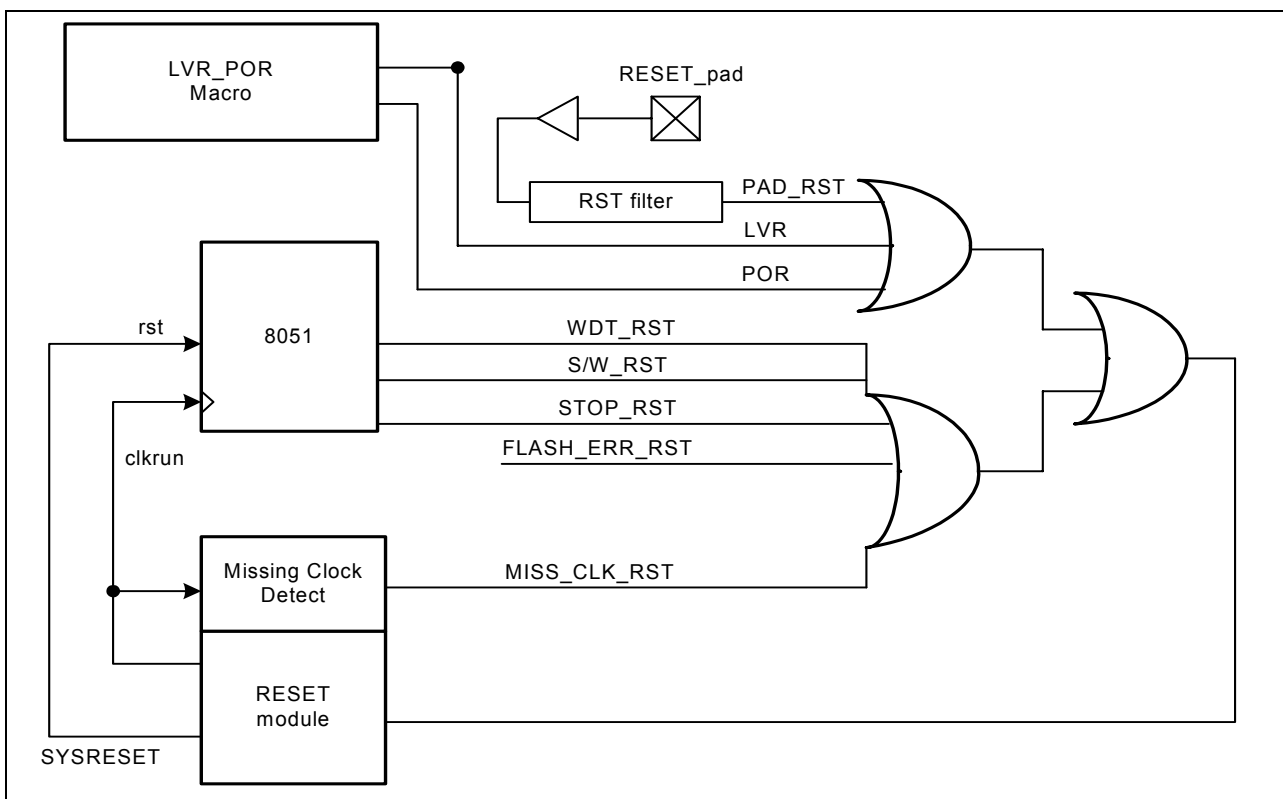


Figure 5-6 Reset sources

5.7.2. Power-On Reset (POR)

A POR is generated when VDD is rising from 0v. When VDD rises to an acceptable level (~1.5V), the power on reset circuit will start a power-on sequence. After that, the system starts to activate and will operate in target speed. The POR will reset whole chip and registers.

5.7.3. Low Voltage Reset (LVR)

The on-chip Low Voltage Reset (LVR) circuitry forces the system entering reset state when power supplying voltage falls below the specific LVR trigger voltage. This function prevents MCU from working at an invalid operating voltage range.

To enable or disable this function, SYSCON0[7] can be set. If this

function is enabled, the LVR circuit will monitor power level while chip is operating. And the LVR voltage level can be 2.2V or 3.9V by setting CONFIG_BYTE[5] through 2-wire interface. If the power is lower than the specific level for a specific period, the system reset will take place and go to initial state.

5.7.4. Pad Reset (PAD_RST)

The GPM8F3132A/3116A/3108A provides an external pin to force the system returning to its initial status. The RESET pin is high active as shown in Figure 5-7. When the RESET pin equals to VDD, system will be forced to enter reset state, execute instruction from address 0x0000 and all registers go to default state.

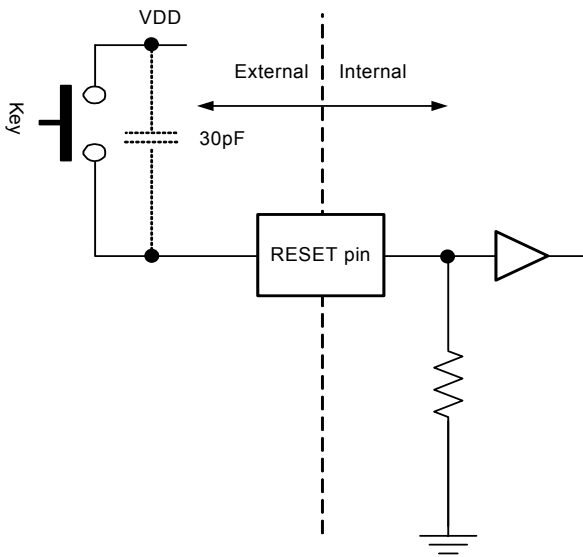


Figure 5-7 Pad reset circuit

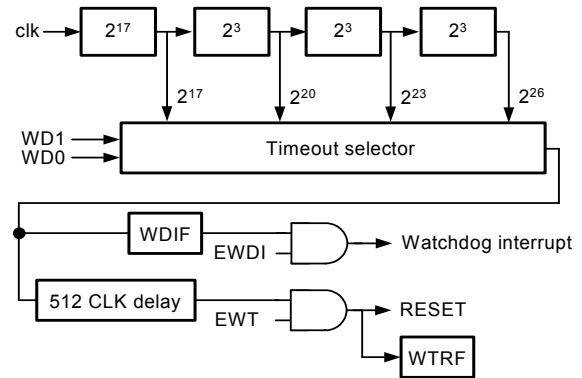


Figure 5-8 The block diagram of Watchdog timer

5.7.5. Watchdog Timer Reset (WDT_RST)

On-chip watchdog circuitry makes the device entering reset state when MCU goes into unknown state and has no watchdog cleared information. This function prevents the MCU to be stuck in an abnormal condition. The WDT can be enabled or disabled through WDCON register bit 1. At any time prior to reaching its user selected terminal value, software can set the Reset Watchdog Timer (WDCON[0]) bit. If RWT is set before the timeout is reached, the timer will start over. If timeout is reached without RWT being set, the watchdog will reset the CPU. Hardware will automatically clear RWT after software sets it. When the reset occurs, the Watchdog Timer Reset Flag (WDCON[2]) will automatically be set to indicate the cause of the reset, however software must clear this bit manually.

WDCON register is a timed access register that prevent it from accidental writes. TA is located at 0xEB. Correct sequence, 0xAA and 0x55, is required before write to WDCON register. Reading from such register is not protected.

The Watchdog has four timeout selections based on the system clock frequency. The selections are a pre-selected number of clocks and can be set by CKCON[7:6]. Therefore, the actual timeout interval is dependent on the SYSCLK frequency. Figure 5-8 shows the block diagram of Watchdog timer.

5.7.6. Other Reset Sources

Other reset sources includes Software Reset (S/W_RST), STOP mode Reset (STOP_RST), Flash Error Reset (FLASH_ERR_RST), and missing system clock Reset (MISS_CLK_RST). Software Reset is occurred when writing KEY code to KEYCODE register(0xEF). The key codes are 0x3c and 0xc3. The timing does not matter, but the key codes must be written in order before SW reset is take place. STOP mode Reset is enabled by setting PCON[3] bit. This is the reset when system is reset from STOP mode.

Flash Error Reset is the reset when five flash related errors are arisen. The first error is to execute whole chip erase by software. The second error is to access the wrong address. The third error is when flash is programmed in a wrong way or to program READONLY_PAGE. The forth error is to erase LAST_PAGE and the last error is to program CONFIG_BYTE. Each flash error related reset source can be enabled or disabled by clearing or setting a bit in the RSTCON(0x8F) as shown in Table 5-42. The corresponding flag when flash error reset occurs can be observed in FLASHERRF register which is shown in Table 5-43. Missing system clock Reset is the reset when system clock is missed over 4095 IOSCK clocks if external crystal is utilized as clock source. There are seven reset status flag can be monitored by RSTSTS register which is shown as Table 5-44.

CONFIG_BYTE			Address: 0xB7		CONFIG_BYTE Register			
Bit	7	6	5	4	3	2	1	0
Function	--	--	LVRVSEL	--	--	--	IOSEL	CODE Lock
Default	1	1	1	1	1	1	1	1

Bit	Function	Type	Description	Condition
7:6	--	R	Reserved	

Bit	Function	Type	Description	Condition
5	LVRVSEL	R	LVR voltage level selection 0: 3.9V 1: 2.2V	
4:2	--	R	Reserved	
1	IOSEL	R	IO initial state selection bit 0: Input pull high 1: floating	
0	CODE Lock	R	0 : CODE is locked; 1 : CODE is unlocked	

Table 5-35 The CONFIG_BYTE register

SYSCON0			Address: 0xAE		SYSTEM control0 Register			
Bit	7	6	5	4	3	2	1	0
Function	LVRENB	--	--	AUDIO_N_DIS	--	CLKOUT_EN	CCOUTENB	SCHMIT_DIS_P4
Default	0	0	0	0	0	0	0	0
Key Code	FF,00							

Bit	Function	Type	Description	Condition
7	LVRENB	R/W	LVR enable control 0: enable LVR function 1: disable LVR function	
6:5	--	--	Reserved	
4	AUDIO_N_DIS	R/W	AUDIO_N disable bit available only if audio function is enabled 0: P36/P37 are output simultaneously as AUDIO_N/P 1: Only P37 is output as AUDIO_P	
3	--	--	Reserved	
2	CLKOUT_EN	R/W	Clock output enable bit (SYSCLK is output on P35)	
1	CCOUTENB	R/W	Disable output function of compare mode in Timer2 0: P1[3:1] = {compare3,compare2,compare1} 1: P1[3:1] is GPIO	
0	SCHMIT_DIS_P4	R/W	P4 schmitt trigger function disable control bit	

Table 5-36 SYSCON0 register

WDCON			Address: 0xD8		Watchdog Control Register			
Bit	7	6	5	4	3	2	1	0
Function	--	--	--	--	WDIF	WTRF	EWT	RWT
Default	0	0	0	0	0	0	0	0

Bit	Function	Type	Description	Condition
7:4	--	R/W	Reserved	
3	WDIF	R/W	Watchdog interrupt flag	
2	WTRF	R/W	Watchdog timer reset flag	
1	EWT	R/W	Watchdog timer reset enable bit 0: Disable 1: Enable	

Bit	Function	Type	Description	Condition
0	RWT	R/W	Reset watchdog timer 0: NA 1: Reset	

Table 5-37 WDCON register

TA			Address: 0xEB		Timed Access Protection Register			
Bit	7	6	5	4	3	2	1	0
Function	Timed Access protection register (0xaa→0x55)							
Default	0	0	0	0	0	0	0	0

Bit	Function	Type	Description	Condition
7:0	TA[7:0]	R/W	Timed Access protection register (0xaa→0x55)	

Table 5-38 TA register

CKCON			Address: 0x8E		Clock Control Register			
Bit	7	6	5	4	3	2	1	0
Function	WD1	WD0	--	T1M	T0M	--	--	--
Default	0	0	0	0	0	0	0	1

Bit	Function	Type	Description	Condition		
7:6	WD[1:0]	R/W	Watchdog timeout selection bits			
			WD[1:0]		Watchdog internal	Number of clocks
			00		2 ¹⁷	131072
			01		2 ²⁰	1048576
			10		2 ²³	8388608
11	2 ²⁶	67108864				
5	--	R/W	Reserved			
4	T1M	R/W	Division selection of the system clock that drives Timer 1 0: Timer 1 uses a divided-by-12 of the system clock frequency 1: Timer 1 uses a divided-by-4 of the system clock frequency			
3	T0M	R/W	Division selection of the system clock that drives Timer 0 0: Timer 0 uses a divided-by-12 of the system clock frequency 1: Timer 0 uses a divided-by-4 of the system clock frequency			
2:0	--	R/W	Reserved			

Table 5-39 CKCON register

KEYCODE			Address: 0xEF		KEYCODE Register			
Bit	7	6	5	4	3	2	1	0
Function	KC7	KC6	KC5	KC4	KC3	KC2	KC1	KC0
Default	0	0	0	0	0	0	0	0

Bit	Function	Type	Description	Condition
7:0	KEYCODE[7:0]	R/W	KEYCODE register	

Note: Some protected registers are needed to write correct key code to KEYCODE register before write data to them.

Table 5-40 KEYCODE register

PCON			Address: 0x87		Power Configuration Register			
Bit	7	6	5	4	3	2	1	0
Function	SMOD0	--	CPU_IDLE	PWE	STOP_RST_EN	--	STOP	--
Default	0	0	0	0	0	0	0	0

Bit	Function	Type	Description	Condition
7	SMOD0	R/W	UART0 double baud rate bit when clocked by Timer1	
6	--	R/W	Reserved	
5	CPU_IDLE	R/W	IDLE mode enable bit 0: IDLE mode disabled ; 1: IDLE mode entered	
4	PWE	R/W	Program Write Enable (PWE) 0: Disable Flash write activity during MOVX instruction 1: Enable Flash write activity during MOVX instruction	
3	STOP_RST_EN	R/W	Wakeup state selection bit 0: Next instruction state after wakeup 1: Reset state after wakeup	
2	--	R/W	Reserved	
1	STOP	R/W	STOP mode enable bit 0: Disabled 1: Enabled	
0	--	R/W	Reserved	

Table 5-41 PCON register

RSTCON			Address: 0x8F		Flash Error RESET Enable Control Register			
Bit	7	6	5	4	3	2	1	0
Function	CB_P_ENB	LP_E_ENB	FLASH_FLOW_ENB	XADDR_ENB	--	CHIP_E_ENB	MISS_CLK_ENB	FLASH_ERR_ENB
Default	0	0	0	1	0	0	0	0
Key Code	4F,72,7A							

Bit	Function	Type	Description	Condition
7	CB_P_ENB	R/W	CONFIG_BYTE program reset disable control bit	
6	LP_E_ENB	R/W	LAST_PAGE erase reset disable control bit	
5	FLASH_FLOW_ENB	R/W	Error flash flow/READONLY_PAGE program reset disable control bit	
4	XADDR_ENB	R/W	Error flash address access reset disable control bit	
3	--	R/W	Reserved	
2	CHIP_E_ENB	R/W	Whole chip erase reset disable control bit	
1	MISS_CLK_ENB	R/W	Miss clock reset disable control bit	
0	FLASH_ERR_ENB	R/W	Global Flash related error reset disable control bit	

Table 5-42 RSTCON register

FLASHERRF			Address: 0xA6		Flash Error RESET Status Flag Register			
Bit	7	6	5	4	3	2	1	0
Function	CB_P_F	LP_E_F	FLASH_FLOW_F	XADDR_F	--	CHIP_E_F	--	--
Default	0	0	0	0	0	0	0	0

Bit	Function	Type	Description	Condition
7	CB_P_F	R/W	Error CONFIG_BYTE program reset flag	
6	LP_E_F	R/W	Error LAST_PAGE erase reset flag	
5	FLASH_FLOW_F	R/W	Error flash flow/ READONLY_PAGE program reset flag	
4	XADDR_F	R/W	Error flash address access reset flag	
3	--	R/W	Reserved	
2	CHIP_E_F	R/W	Error Macro erase reset flag	
1	--	R/W	Reserved	
0	--	R/W	Reserved	

Table 5-43 FLASHERRF register

RSTSTS		Address: 0x94			RESET Status Flag Register			
Bit	7	6	5	4	3	2	1	0
Function	--	MISS_CLK_RST	STOP_RST	FLASH_ERR_RST	S/W_RST	WDT_RST	LVR_RST	RAD_RST
Default	0	0	0	0	0	0	0	0

Bit	Function	Type	Description	Condition
7	--	R/W	Reserved	
6	MISS_CLK_RST	R/W	RESET from system clock missing clock	
5	STOP_RST	R/W	RESET from STOP mode	
4	FLASH_ERR_RST	R/W	RESET from FLASH error	
3	SW_RST	R/W	RESET from SW RST	
2	WDT_RST	R/W	RESET from WDT	
1	LVR_RST	R/W	RESET from LVR	
0	PAD_RST	R/W	RESET from RESET PAD	

Table 5-44 RSTSTS register

5.8. I/O Ports

5.8.1. Introduction

The GPM8F3132A/3116A/3108A has five ports, including standard Port 0, Port 1, Port 2, Port 3 and additional Port 4. These port pins may be multiplexed with an alternate function for the peripheral features on the device. In general, when an initial reset state occurs, all ports are used as a general purpose input port with open-drain structure and Schmitt trigger function. User can change IO initial state by CONFIG_BYTE[1] through the SCK/SDA interface. The Schmitt trigger function can be controlled by SYSCON2[3:0] and SYSCON0[0]. All the input ports can be programmable pull high/low by PU and PD registers. The PU and PD registers of Port 0 are controlled by 0x9A and 0x9B, the PU and PD registers of Port 1 are controlled by 0x9C and 0x9D, the PU and PD registers of Port 2 are controlled by 0x9E and 0x9F, the PU and PD registers of P3 are controlled by 0xA2 and 0xA3 and the PU and PD registers of P4 are controlled by 0xA4 and 0xA5. Read and write accesses to the I/O port are performed via their corresponding SFRs P0(0x80), P1(0x90), P2(0xA0), P3(0xB0) and P4(0xA1). When PU and PD are enabled at the same time, the port can output high or low depending on the data. Table 5-45 and Table 5-46 show the truth table of analog pad and digital pad respectively. In GPM8F3132A/3116A/3108A, P0[7:0], P2[6:5] and P4[1:0] can be analog pad for special function. P0[7:0] are used for ADC input. P2[6:5] are used for external crystal input and output. P4[1:0] are used for compare input. The detail descriptions of analog function are in corresponding sections. The built-in pull high/low resistor is 50KΩ. In addition to this, there is a register, SRCON, for slew rate control (0xAD) of P0~P4. If IO ports are needed to change immediately without slew rate control, the corresponding control bit of each port can be set to '0'. The default state of SRCON register is '0xFF' with 30ns slew rate control. Figure 5-9 and Figure 5-10 show the block diagrams of analog pad and digital pad respectively.

PU	PD	DATA	ADAEN	PAD
0	0	0	0	Driving Low
0	0	1	0	Floating
0	1	0	0	Driving Low
0	1	1	0	Pull low
1	0	0	0	Illegal
1	0	1	0	Pull high
1	1	0	0	Driving Low
1	1	1	0	Driving High
x	x	x	1	Floating

Table 5-45 The truth table of analog pad

PU	PD	DATA	PAD
0	0	0	Driving Low
0	0	1	Floating
0	1	0	Driving Low
0	1	1	Pull low
1	0	0	Illegal
1	0	1	Pull high
1	1	0	Driving Low
1	1	1	Driving High

Table 5-46 The truth table of digital pad

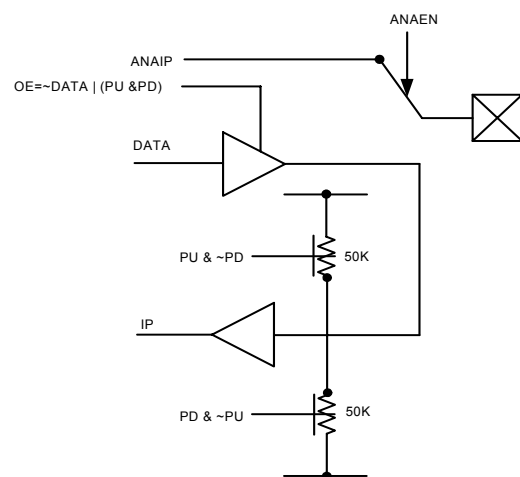


Figure 5-9 The block diagram of analog pad

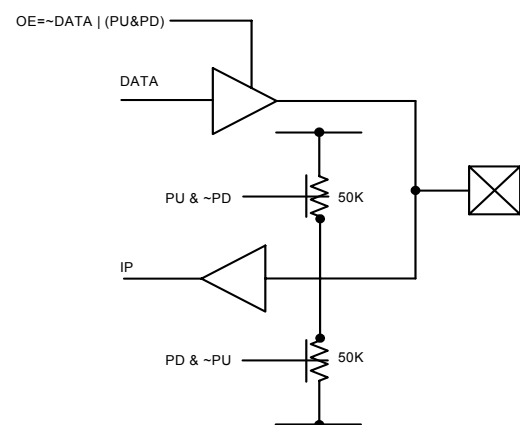


Figure 5-10 The block diagram of digital pad

CONFIG_BYTE			Address: 0xB7		CONFIG_BYTE Register			
Bit	7	6	5	4	3	2	1	0
Function	--	--	LVRVSEL	--	--	--	IOSEL	CODE Lock
Default	1	1	1	1	1	1	1	1

Bit	Function	Type	Description	Condition
7:6	--	R	Reserved	
5	LVRVSEL	R	LVR voltage level selection 0: 3.9V 1: 2.2V	
4:2	--	R	Reserved	
1	IOSEL	R	IO initial state selection bit 0: Input pull high 1: floating	
0	CODE Lock	R	0 : CODE is locked; 1 : CODE is unlocked	

Table 5-47 The CONFIG_BYTE register

P0			Address: 0x80		Port0 Register			
Bit	7	6	5	4	3	2	1	0
Function	P07	P06	P05	P04	P03	P02	P01	P00
Default	1	1	1	1	1	1	1	1

Bit	Function	Type	Description	Condition
7:0	P0[7:0]	R/W	Port0	

Table 5-48 P0 register

P1			Address: 0x90		Port1 Register			
Bit	7	6	5	4	3	2	1	0
Function	P17	P16	P15	P14	P13	P12	P11	P10
Default	1	1	1	1	1	1	1	1

Bit	Function	Type	Description	Condition
7:0	P1[7:0]	R/W	Port1	

Table 5-49 P1 register

P2			Address: 0xA0		Port2 Register			
Bit	7	6	5	4	3	2	1	0
Function	P27	P26	P25	P24	P23	P22	P21	P20
Default	1	1	1	1	1	1	1	1

Bit	Function	Type	Description	Condition
7:0	P2[7:0]	R/W	Port2	

Table 5-50 P2 register

P3			Address: 0xB0		Port3 Register			
Bit	7	6	5	4	3	2	1	0
Function	P37	P36	P35	P34	P33	P32	P31	P30
Default	1	1	1	1	1	1	1	1

Bit	Function	Type	Description	Condition
7:0	P3[7:0]	R/W	Port3	

Table 5-51 P3 register

P4			Address: 0xA1		Port4 Register			
Bit	7	6	5	4	3	2	1	0
Function	P47	P46	P45	P44	P43	P42	P41	P40
Default	1	1	1	1	1	1	1	1

Bit	Function	Type	Description	Condition
7:0	P4[7:0]	R/W	Port4	

Table 5-52 P4 register

P0_PU			Address: 0x9A		Port0 pull up configuration Register			
Bit	7	6	5	4	3	2	1	0
Function	P07_PU	P06_PU	P05_PU	P04_PU	P03_PU	P02_PU	P01_PU	P00_PU
Default	0	0	0	0	0	0	0	0

Bit	Function	Type	Description	Condition
7:0	P0_PU[7:0]	R/W	Port0 pull up control bits 0: floating; 1: pull up	

Table 5-53 P0_PU register

P0_PD			Address: 0x9B		Port0 pull down configuration Register			
Bit	7	6	5	4	3	2	1	0
Function	P07_PD	P06_PD	P05_PD	P04_PD	P03_PD	P02_PD	P01_PD	P00_PD
Default	0	0	0	0	0	0	0	0

Bit	Function	Type	Description	Condition
7:0	P0_PD[7:0]	R/W	Port0 pull down control bits 0: floating 1: pull down	

Note: If P0_PU and P0_PD are setting to '1' simultaneously, P0 will be output mode

Table 5-54 P0_PD register

P1_PU			Address: 0x9C		Port1 pull up configuration Register			
Bit	7	6	5	4	3	2	1	0
Function	P17_PU	P16_PU	P15_PU	P14_PU	P13_PU	P12_PU	P11_PU	P10_PU
Default	0	0	0	0	0	0	0	0

Bit	Function	Type	Description	Condition
7:0	P1_PU[7:0]	R/W	Port1 pull up control bits 0: floating 1: pull up	

Table 5-55 P1_PU register

P1_PD			Address: 0x9D		Port1 pull down configuration Register			
Bit	7	6	5	4	3	2	1	0
Function	P17_PD	P16_PD	P15_PD	P14_PD	P13_PD	P12_PD	P11_PD	P10_PD
Default	0	0	0	0	0	0	0	0

Bit	Function	Type	Description	Condition
7:0	P1_PD[7:0]	R/W	Port1 pull down control bits 0: floating 1: pull down	

Note: If P1_PU and P1_PD are setting to '1' simultaneously, P1 will be output mode.

Table 5-56 P1_PD register

P2_PU			Address: 0x9E		Port2 pull up configuration Register			
Bit	7	6	5	4	3	2	1	0
Function	P27_PU	P26_PU	P25_PU	P24_PU	P23_PU	P22_PU	P21_PU	P20_PU
Default	0	0	0	0	0	0	0	0

Bit	Function	Type	Description	Condition
7:0	P2_PU[7:0]	R/W	Port2 pull up control bits 0: floating 1: pull up	

Table 5-57 P2_PU register

P2_PD			Address: 0x9F		Port2 pull down configuration Register			
Bit	7	6	5	4	3	2	1	0
Function	P27_PD	P26_PD	P25_PD	P24_PD	P23_PD	P22_PD	P21_PD	P20_PD
Default	0	0	0	0	0	0	0	0

Bit	Function	Type	Description	Condition
7:0	P2_PD[7:0]	R/W	Port2 pull down control bits 0: floating 1: pull down	

Note: If P2_PU and P2_PD are setting to '1' simultaneously, P2 will be output mode

Table 5-58 P2_PD register

P3_PU			Address: 0xA2		Port3 pull up configuration Register			
Bit	7	6	5	4	3	2	1	0
Function	P37_PU	P36_PU	P35_PU	P34_PU	P33_PU	P32_PU	P31_PU	P30_PU
Default	0	0	0	0	0	0	0	0

Bit	Function	Type	Description	Condition
7:0	P3_PU[7:0]	R/W	Port3 pull up control bits 0: floating 1: pull up	

Table 5-59 P3_PU register

P3_PD			Address: 0xA3		Port3 pull down configuration Register			
Bit	7	6	5	4	3	2	1	0
Function	P37_PD	P36_PD	P35_PD	P34_PD	P33_PD	P32_PD	P31_PD	P30_PD
Default	0	0	0	0	0	0	0	0

Bit	Function	Type	Description	Condition
7:0	P3_PD[7:0]	R/W	Port3 pull down control bits 0: floating 1: pull down	

Note: If P3_PU and P3_PD are setting to '1' simultaneously, P3 will be output mode.

Table 5-60 P3_PD register

P4_PU			Address: 0xA4		Port4 pull up configuration Register			
Bit	7	6	5	4	3	2	1	0
Function	P47_PU	P46_PU	P45_PU	P44_PU	P43_PU	P42_PU	P41_PU	P40_PU
Default	0	0	0	0	0	0	0	0

Bit	Function	Type	Description	Condition
7:0	P4_PU[7:0]	R/W	Port4 pull up control bits 0: floating 1: pull up	

Table 5-61 P4_PU register

P4_PD			Address: 0xA5		Port4 pull down configuration Register			
Bit	7	6	5	4	3	2	1	0
Function	P47_PD	P46_PD	P45_PD	P44_PD	P43_PD	P42_PD	P41_PD	P40_PD
Default	0	0	0	0	0	0	0	0

Bit	Function	Type	Description	Condition
7:0	P4_PD[7:0]	R/W	Port4 pull down control bits 0: floating; 1: pull down	

Note: If P4_PU and P4_PD are setting to '1' simultaneously, P4 will be output mode.

Table 5-62 P4_PD register

SRCON			Address: 0xAD		Slew Rate Control Register			
Bit	7	6	5	4	3	2	1	0
Function	--	--	--	P4_SR	P3_SR	P2_SR	P1_SR	P0_SR
Default	1	1	1	1	1	1	1	1

Bit	Function	Type	Description	Condition
7:5	--	R/W	Reserved	
4	P4_SR	R/W	Port4 slew rate control bit 0: slew rate control disable 1: slew rate control enable 30ns	
3	P3_SR	R/W	Port3 slew rate control bit 0: slew rate control disable 1: slew rate control enable 30ns	
2	P2_SR	R/W	Port2 slew rate control bit 0: slew rate control disable 1: slew rate control enable 30ns	
1	P1_SR	R/W	Port1 slew rate control bit 0: slew rate control disable 1: slew rate control enable 30ns	
0	P0_SR	R/W	Port0 slew rate control bit 0: slew rate control disable 1: slew rate control enable 30ns	

Table 5-63 SRCON register

SYSCON2			Address: 0xA7		SYSTEM control2 Register			
Bit	7	6	5	4	3	2	1	0
Function	ADCLKX2	--	INT_filter_en	GPIO_SSO	SCHMIT_DIS_P3	SCHMIT_DIS_P2	SCHMIT_DIS_P1	SCHMIT_DIS_P0
Default	0	0	0	0	0	0	0	0
Key Code	FF,00							

Bit	Function	Type	Description	Condition
7	ADCLKX2	R/W	ADCLK double enable bit	
6	--	R/W	Reserved	
5	INT_filter_en	R/W	INT0~INT2 pad filter enable bit 0: no filter 1: 2us	
4	GPIO_SSO	R/W	GPIO SSO function enable bit (Avoid GPIO change simultaneously)	
3	SCHMIT_DIS_P3	R/W	P3 schmitt trigger function disable control bit	
2	SCHMIT_DIS_P2	R/W	P2 schmitt trigger function disable control bit	
1	SCHMIT_DIS_P1	R/W	P1 schmitt trigger function disable control bit	
0	SCHMIT_DIS_P0	R/W	P0 schmitt trigger function disable control bit	

Table 5-64 SYSCON2 register

SYSCON0			Address: 0xAE		SYSTEM control0 Register			
Bit	7	6	5	4	3	2	1	0
Function	LVRENB	--	--	AUDIO_N_DIS	--	CLKOUT_EN	CCOUTENB	SCHMIT_DIS_P4
Default	0	0	0	0	0	0	0	0
Key Code	FF,00							

Bit	Function	Type	Description	Condition
7	LVRENB	R/W	LVR enable control 0: enable LVR function 1: disable LVR function	
6:5	--	--	Reserved	
4	AUDIO_N_DIS	R/W	AUDIO_N disable bit available only if audio function is enabled 0: P36/P37 are output simultaneously 1: Only P37 is output	
3	--	--	Reserved	
2	CLKOUT_EN	R/W	Clock output enable bit (SYSCLK is output on P35)	
1	CCOUTENB	R/W	Disable output function of compare mode in Timer2 0: P1[3:1] = {compare3,compare2,compare1} 1: P1[3:1] is GPIO	
0	SCHMIT_DIS_P4	R/W	P4 schmitt trigger function disable control bit	

Table 5-65 SYSCON0 register

ADAEN			Address: 0xF3		ADC analog PAD enable Register			
Bit	7	6	5	4	3	2	1	0
Function	P07_AEN	P06_AEN	P05_AEN	P04_AEN	P03_AEN	P02_AEN	P01_AEN	P00_AEN
Default	0	0	0	0	0	0	0	0

Bit	Function	Type	Description	Condition
7	P07_AEN	R/W	P07 analog PAD enable control bit 0: P07 can be I/O PAD 1: P07 can be analog PAD	
6	P06_AEN	R/W	P06 analog PAD enable control bit 0: P06 can be I/O PAD 1: P06 can be analog PAD	
5	P05_AEN	R/W	P05 analog PAD enable control bit 0: P05 can be I/O PAD 1: P05 can be analog PAD	
4	P04_AEN	R/W	P04 analog PAD enable control bit 0: P04 can be I/O PAD 1: P04 can be analog PAD	
3	P03_AEN	R/W	P03 analog PAD enable control bit 0: P03 can be I/O PAD 1: P03 can be analog PAD	
2	P02_AEN	R/W	P02 analog PAD enable control bit 0: P02 can be I/O PAD 1: P02 can be analog PAD	
1	P01_AEN	R/W	P01 analog PAD enable control bit 0: P01 can be I/O PAD 1: P01 can be analog PAD	
0	P00_AEN	R/W	P00 analog PAD enable control bit 0: P00 can be I/O PAD 1: P00 can be analog PAD	

Table 5-66 ADAEN register

IOSCCON			Address: 0xF9		IOSC Control Register			
Bit	7	6	5	4	3	2	1	0
Function	XTO_AEN	XTI_AEN	XTAL_PAD_EN	OSC_SEL[1:0]		CLKDIV[2:0]		
Default	0	0	0	0	1	0	0	1

Bit	Function	Type	Description																		
7	XTO_AEN	R/W	XTO analog PAD enable control bit 0: XTO can be I/O PAD 1: XTO can be analog PAD																		
6	XTI_AEN	R/W	XTI analog PAD enable control bit 0: XTI can be I/O PAD 1: XTI can be analog PAD																		
5	XTAL_PAD_EN	R/W	If using XTAL or ECLK, XTAL_PAD_EN should be set first for OSC_SEL selection.																		
4:3	OSC_SEL[1:0]	R/W	00: Internal ROSC 01: Internal ROSC 10: XTAL 11: External CLK If using XTAL, OSC_SEL[1](XTAL_EN) should be set after XOSC_CLK is stable																		
2:0	CLK_DIV	R/W	System Clock source divider <table border="1" style="margin-left: 20px;"> <thead> <tr> <th>CLK_DIV</th> <th>Clock control</th> </tr> </thead> <tbody> <tr> <td>000</td> <td>SYSCLK_source</td> </tr> <tr> <td>001</td> <td>SYSCLK_source/2</td> </tr> <tr> <td>010</td> <td>SYSCLK_source/4</td> </tr> <tr> <td>011</td> <td>SYSCLK_source/8</td> </tr> <tr> <td>100</td> <td>SYSCLK_source/16</td> </tr> <tr> <td>101</td> <td>SYSCLK_source/32</td> </tr> <tr> <td>110</td> <td>SYSCLK_source/64</td> </tr> <tr> <td>111</td> <td>SYSCLK_source/1.5</td> </tr> </tbody> </table>	CLK_DIV	Clock control	000	SYSCLK_source	001	SYSCLK_source/2	010	SYSCLK_source/4	011	SYSCLK_source/8	100	SYSCLK_source/16	101	SYSCLK_source/32	110	SYSCLK_source/64	111	SYSCLK_source/1.5
CLK_DIV	Clock control																				
000	SYSCLK_source																				
001	SYSCLK_source/2																				
010	SYSCLK_source/4																				
011	SYSCLK_source/8																				
100	SYSCLK_source/16																				
101	SYSCLK_source/32																				
110	SYSCLK_source/64																				
111	SYSCLK_source/1.5																				

Table 5-67 The IOSCCON register

CMPCON1			Address: 0xAA		Comparator Control Register 1			
Bit	7	6	5	4	3	2	1	0
Function	--	--	--	P41_AEN	P40_AEN	HU_DET_SEL	SCHMIT_EN	CMP_EN
Default	0	0	0	0	0	1	0	0

Bit	Function	Type	Description	Condition
7:5	--	R/W	Reserved	
4	P41_AEN	R/W	P41 analog PAD enable control bit 0: P41 can be I/O PAD 1: P41 can be analog PAD	
3	P40_AEN	R/W	P40 analog PAD enable control bit 0: P40 can be I/O PAD 1: P40 can be analog PAD	
2	HU_DET_SEL	R/W	HU_DET pad select control bit 0: P43 is used as HU_DET pad 1: P07 is used as HU_DET pad	

Bit	Function	Type	Description	Condition
1	SCHMIT_EN	R/W	0: Disable schmitt window 1: Enable schmitt window (30mV)	
0	CMP_EN	R/W	Enable three comparators to produce sensorless signals	

Table 5-68 CMPCON1 register

5.9. Timer Module

5.9.1. Introduction

GPM8F3132A/3116A/3108A is equipped with three timers. They are Timer 0, Timer 1 and Timer 2 respectively. In addition, Timer 2 also features Compare/Capture/Reload function. All of these three timers are up-count timers and 16-bit timer/counter. Each timer's function is described in the following sections.

5.9.2. Timer 0/1

Timer 0 and Timer 1 are fully compatible with the standard 8051 timers. Each timer consists of two 8-bit registers TH0(0x8C),

TL0(0x8A), TH1(0x8D), TL1(0x8B). Timers 0 and Timer 1 work in the same three modes except for mode 3 and the related control registers are TMOD(0x89), TCON(0x88) and CKCON(0x8E) registers. In the timer mode, timer registers are incremented every 4/12 SYSCLK periods depends on CKCON(0x8E) setting, when appropriate timer is enabled. In the counter mode, the timer registers are incremented every falling transition on their corresponding input pins: T0 or T1. The input pins are sampled every CLK period.

TH0		Address: 0x8C			Timer0 High Byte Register			
Bit	7	6	5	4	3	2	1	0
Function	TH0[7:0]							
Default	0	0	0	0	0	0	0	0

Bit	Function	Type	Description	Condition
7:0	TH0[7:0]	R/W	Timer 0 Load value – high byte	

Table 5-69 TH0 register

TL0		Address: 0x8A			Timer0 Low Byte Register			
Bit	7	6	5	4	3	2	1	0
Function	TL0[7:0]							
Default	0	0	0	0	0	0	0	0

Bit	Function	Type	Description	Condition
7:0	TL0[7:0]	R/W	Timer 0 Load value – low byte	

Table 5-70 TL0 register

TH1		Address: 0x8D			Timer1 High Byte Register			
Bit	7	6	5	4	3	2	1	0
Function	TH1[7:0]							
Default	0	0	0	0	0	0	0	0

Bit	Function	Type	Description	Condition
7:0	TH1[7:0]	R/W	Timer 1 Load value – high byte	

Table 5-71 TH1 register

TL1			Address: 0x8B		Timer1 Low Byte Register			
Bit	7	6	5	4	3	2	1	0
Function	TL1[7:0]							
Default	0	0	0	0	0	0	0	0

Bit	Function	Type	Description	Condition
7:0	TL1[7:0]	R/W	Timer 1 Load value – low byte	

Table 5-72 TL1 register

TMOD			Address: 0x89		Timer0/1 Control Mode Register			
Bit	7	6	5	4	3	2	1	0
Function	GATE1	CT1	M11	M10	GATE0	CT0	M01	M00
Default	0	0	0	0	0	0	0	0

Bit	Function	Type	Description	Condition
7	GATE1	R/W	Gating control 0: Timer 1 enabled while TR1 control bit is set 1: Timer 1 enabled while GATE1 pin is high and TR1 control bit is set	
6	CT1	R/W	Counter or timer select bit 0: Timer mode, internally clocked 1: Counter mode, Timer 1 clock source is from T1 pin	
5:4	M1[1:0]	R/W	Mode select bits of timer 1, which is tabled as Table 5-74	
3	GATE0	R/W	Gating control 0: Timer 0 enabled while TR0 control bit is set 1: Timer 0 enabled while GATE0 pin is high and TR0 control bit is set	
2	CT0	R/W	Counter or timer select bit 0: Timer mode, internally clocked 1: Counter mode, Timer 0 clock source is from T0 pin	
1:0	M0[1:0]	R/W	Mode select bits of timer 0, which is tabled as Table 5-74	

Table 5-73 TMOD register

M1	M0	Mode	Function description
0	0	0	TH0/1 operates as 8-bit timer/counter with a divide by 32 pre-scaler served by lower 5-bit of TL0/1.
0	1	1	16-bit timer/counter. TH0/1 and TL0/1 are cascaded
1	0	2	TL0/1 operates as 8-bit timer/counter with 8-bit auto-reload by TH0/1
1	1	3	TL0 is configured as 8-bit timer/counter controlled by the standard Timer 0 bits. TH0 is an 8-bit timer controlled by the Timer 1 controls bits. Timer 1 holds its count.

Table 5-74 Four modes of Timer 0 and Timer 1

TCON			Address: 0x88		Timer0/1 Configuration Register			
Bit	7	6	5	4	3	2	1	0
Function	TF1	TR1	TF0	TR0	IE1	IT1	IE0	IT0
Default	0	0	0	0	0	0	0	0

Bit	Function	Type	Description	Condition
7	TF1	R/W	Timer 1 interrupt (overflow) flag	
6	TR1	R/W	Timer 1 run control bit 0: disabled ; 1: enabled	
5	TF0	R/W	Timer 0 interrupt (overflow) flag	
4	TR0	R/W	Timer 0 run control bit 0: disabled ; 1: enabled	
3	IE1	R/W	INT1 interrupt flag	
2	IT1	R/W	INT1 level (at 0)/ edge (at 1) sensitivity	
1	IE0	R/W	INT0 interrupt flag	
0	IT0	R/W	INT0 level (at 0)/ edge (at 1) sensitivity	

Table 5-75 TCON register

CKCON			Address: 0x8E		Clock Control Register			
Bit	7	6	5	4	3	2	1	0
Function	WD1	WD0	--	T1M	T0M	MD2	MD1	MD0
Default	0	0	0	0	0	0	0	1

Bit	Function	Type	Description	Condition															
7:6	WD[1:0]	R/W	Watchdog timeout selection bits <table border="1" data-bbox="671 1137 1190 1335"> <thead> <tr> <th>WD[1:0]</th> <th>Watchdog internal</th> <th>Number of clocks</th> </tr> </thead> <tbody> <tr> <td>00</td> <td>2^{17}</td> <td>131072</td> </tr> <tr> <td>01</td> <td>2^{20}</td> <td>1048576</td> </tr> <tr> <td>10</td> <td>2^{23}</td> <td>8388608</td> </tr> <tr> <td>11</td> <td>2^{26}</td> <td>67108864</td> </tr> </tbody> </table>	WD[1:0]	Watchdog internal	Number of clocks	00	2^{17}	131072	01	2^{20}	1048576	10	2^{23}	8388608	11	2^{26}	67108864	
WD[1:0]	Watchdog internal	Number of clocks																	
00	2^{17}	131072																	
01	2^{20}	1048576																	
10	2^{23}	8388608																	
11	2^{26}	67108864																	
5	--	R/W	Reserved																
4	T1M	R/W	Division selection of the system clock that drives Timer 1 0: Timer 1 uses a divide-by-12 of the system clock frequency 1: Timer 1 uses a divide-by-4 of the system clock frequency																
3	T0M	R/W	Division selection of the system clock that drives Timer 0 0: Timer 0 uses a divide-by-12 of the system clock frequency 1: Timer 0 uses a divide-by-4 of the system clock frequency																
2:0	--	R/W	Reserved																

Table 5-76 CKCON register

5.9.2.1. Timer 0: Mode 0 (13-Bit Timer/Counter)

In this mode, Timer 0 register is configured as a 13-bit register. As the count rolls over from all 1s to all 0s, Timer 0 interrupt flag TF0 is set. The counted input is enabled to the Timer 0 when TR0(TCON[4]) = 1 and either GATE0(TMOD[3]) = 0 or GATE0 input pin(P36)= 1. (Setting GATE0(TMOD[3]) = 1 allows the

Timer 0 to be controlled by external input GATE0(P36), to facilitate pulse width measurements). The 13-bit register consists of all 8 bits of TH0 and the lower 5 bits of TL0. The upper 3 bits of TL0 are indeterminate and should be ignored. Figure 5-11 shows the block diagram of Timer 0 for Mode 0.

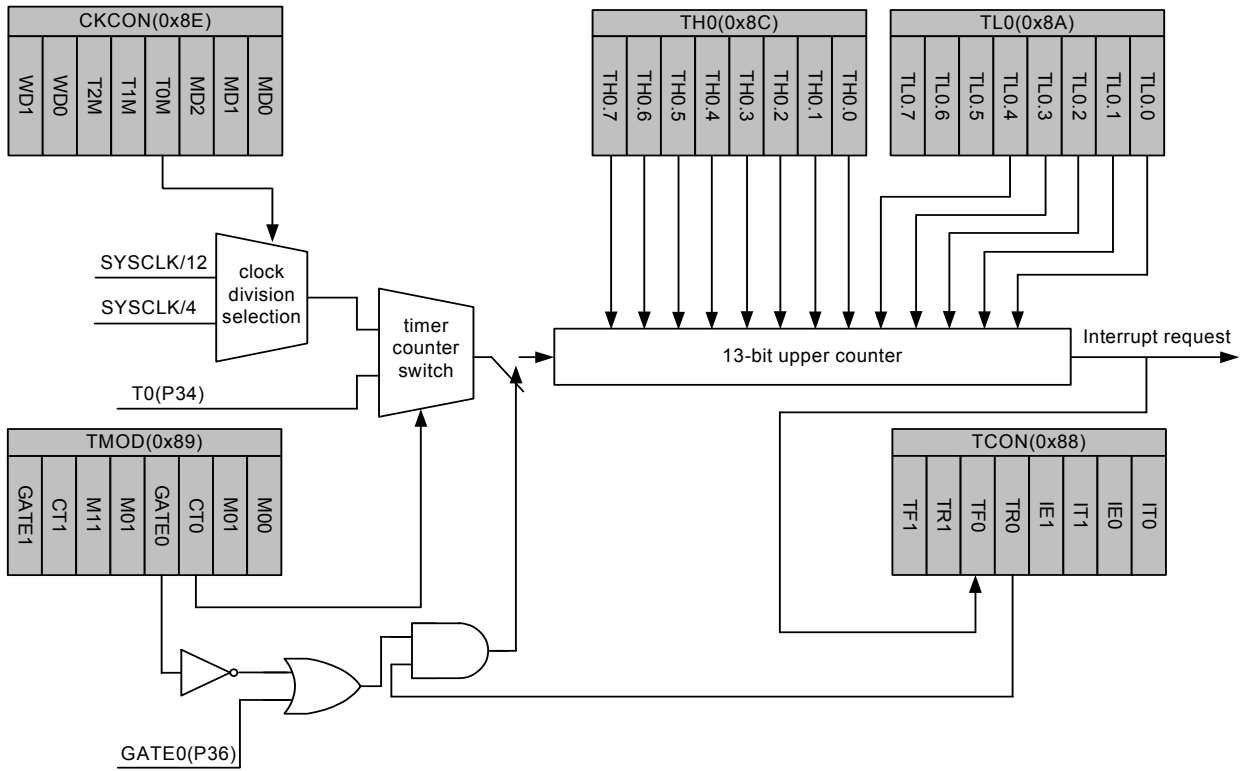


Figure 5-11 The block diagram of Timer 0 for Mode 0

5.9.2.2. Timer 0: Mode 1 (16-Bit Timer/Counter)

Mode 1 is the same as Mode 0, except that the timer register is running with all 16 bits. The block diagram of Mode 1 is shown in Figure 5-12.

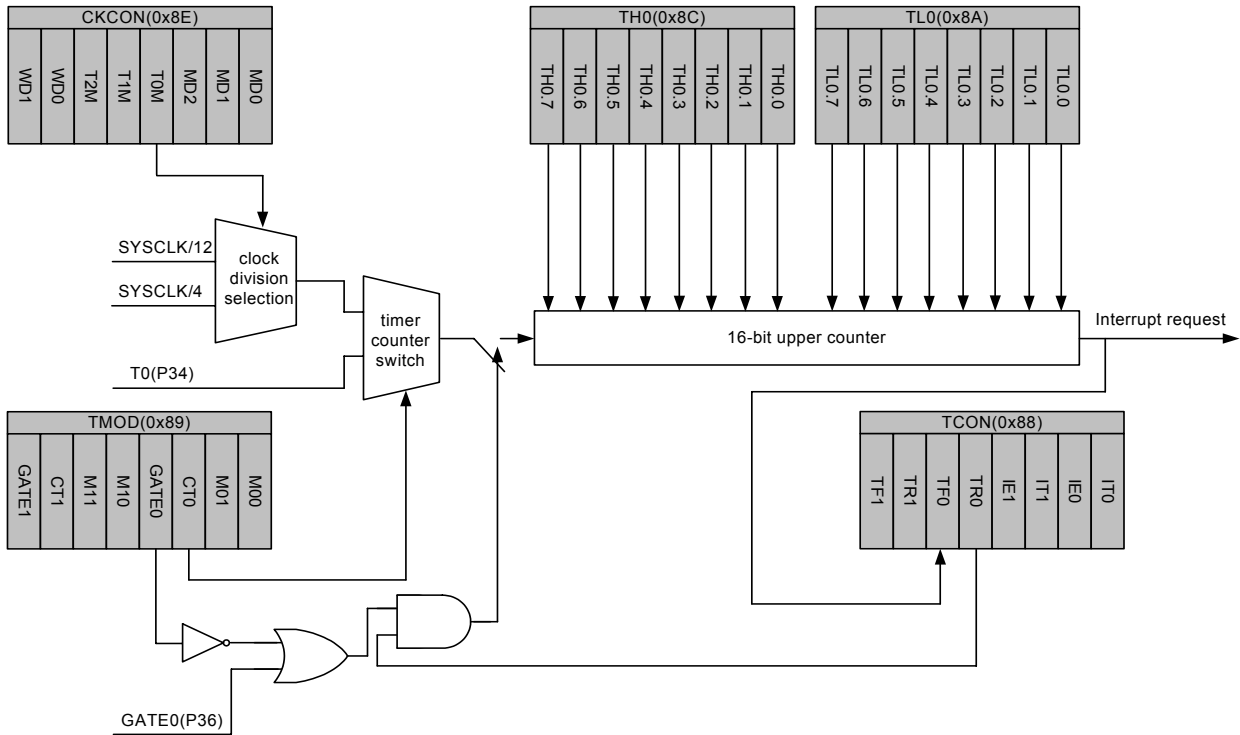


Figure 5-12 The block diagram of Timer 0 for Mode 1

5.9.2.3. Timer 0: Mode 2 (8-bit Timer/Counter with Auto-reload Function)

Mode 2 configures the timer register as an 8-bit counter (TL0) with automatic reloads, as shown in Figure 5-13. Overflow from TL0 not only sets TF0, but also reloads TL0 with the contents of TH0, which is loaded by software. The reload leaves TH0 unchanged.

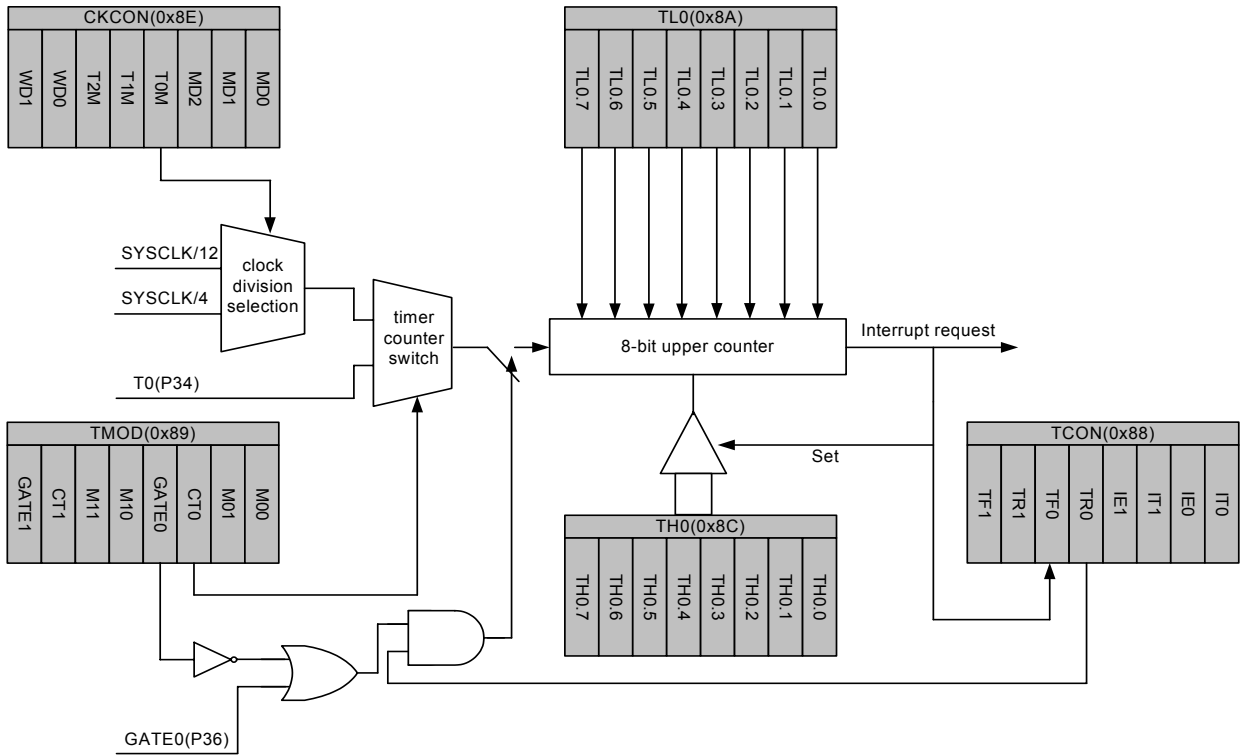


Figure 5-13 The block diagram of Timer 0 for Mode 2

5.9.2.4. Timer 0: Mode 3 (Two 8-Bit Timers/Counters)

Timer 0 in Mode 3 establishes TL0 and TH0 as two separate counters. The block diagram for Mode 3 on Timer 0 is shown in Figure 5-14. TL0 uses the Timer 0 control bits: CT0, GATE0, TR0, and TF0. TH0 is locked into a timer function and uses the TR1 and TF1 flags from Timer 1 and controls Timer 1 interrupt. Mode

3 is provided for applications requiring an extra 8-bit timer/counter. When Timer 0 is in Mode 3, Timer 1 can be turned off by switching it into its own Mode 3, or can still be used by the serial channel as a baud rate generator, or in any application where interrupt from Timer 1 is not required.

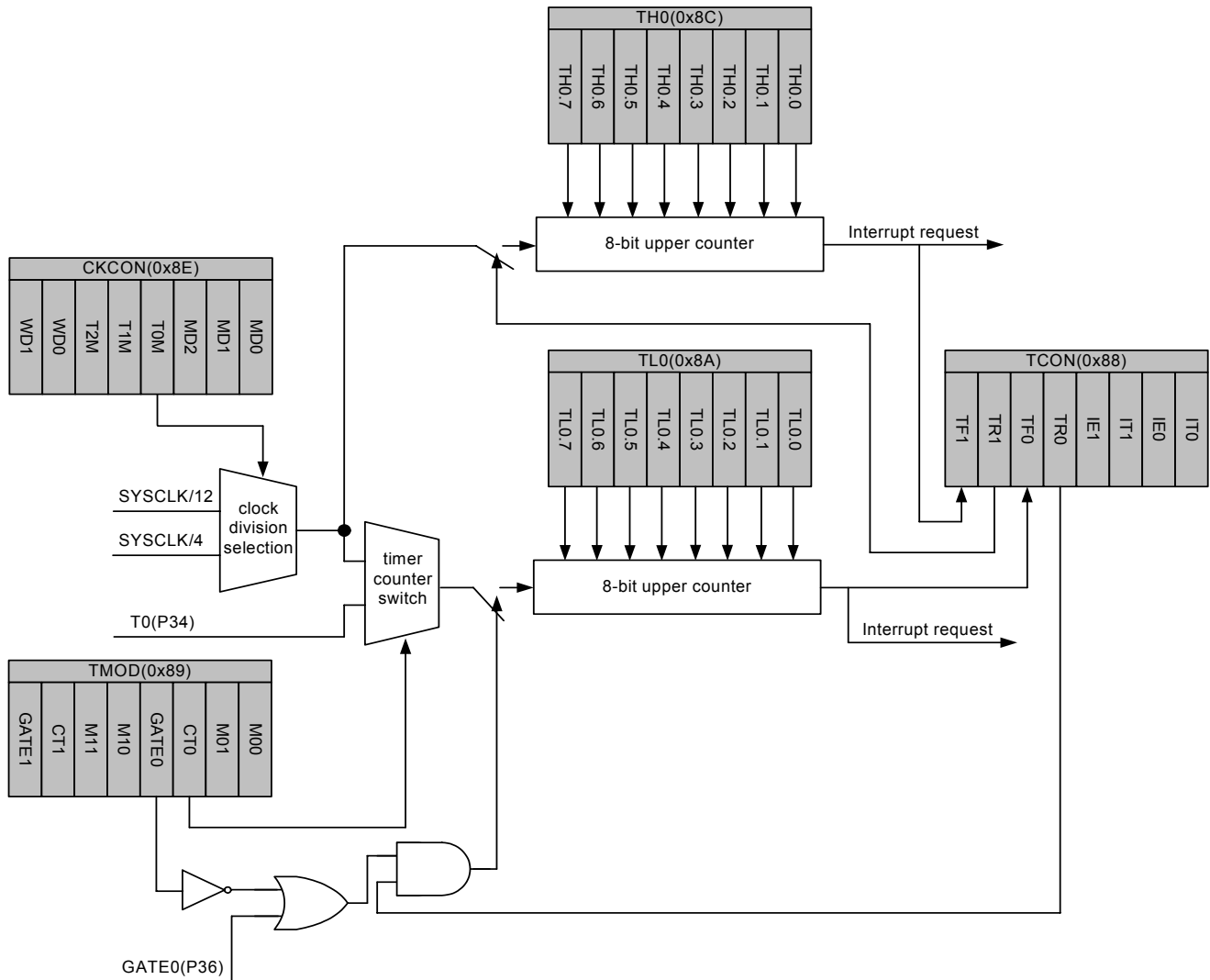


Figure 5-14 The block diagram of Timer 0 for Mode 3

5.9.2.5. Timer 1: Mode 0 (13-Bit Timer/Counter)

In this mode, the Timer 1 register is configured as a 13-bit register. As the count rolls over from all 1s to all 0s, Timer 1 interrupt flag TF1 is set. The counted input is enabled to the Timer1 when TR1(TCON[6]) = 1 and either GATE1(TMOD[7]) = 0 or GATE1 input pin(P37)= 1. (Setting GATE1(TMOD[7]) = 1 allows the

Timer1 to be controlled by external input GATE1(P37), to facilitate pulse width measurements). The 13-bit register consists of all 8 bits of TH1 and the lower 5 bits of TL1. The upper 3 bits of TL1 are indeterminate and should be ignored. Figure 5-15 shows the block diagram of Timer1 for Mode 0.

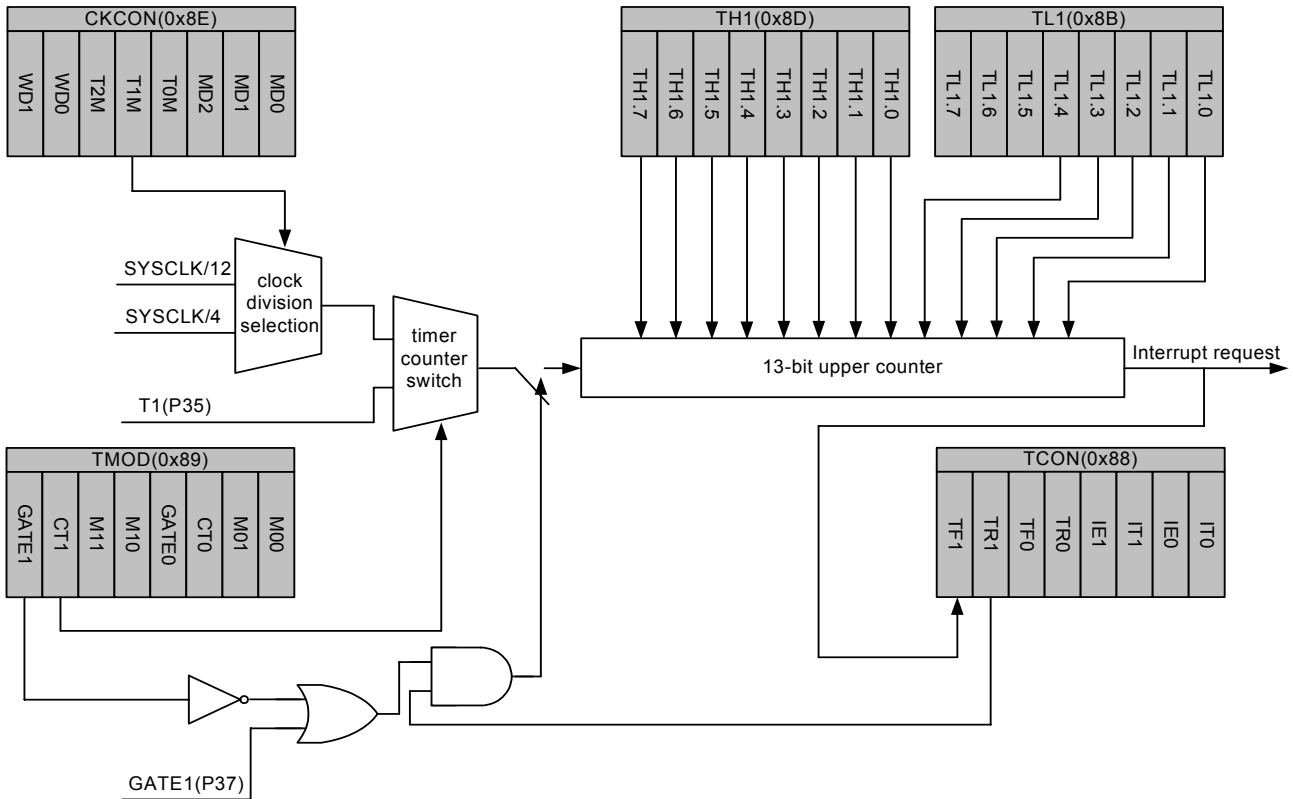


Figure 5-15 The block diagram of Timer 1 for Mode 0

5.9.2.6. Timer 1: Mode 1 (16-Bit Timer/Counter)

Mode 1 is the same as Mode 0, except that the timer register is running with all 16 bits. The block diagram of Mode 1 is shown in Figure 5-16.

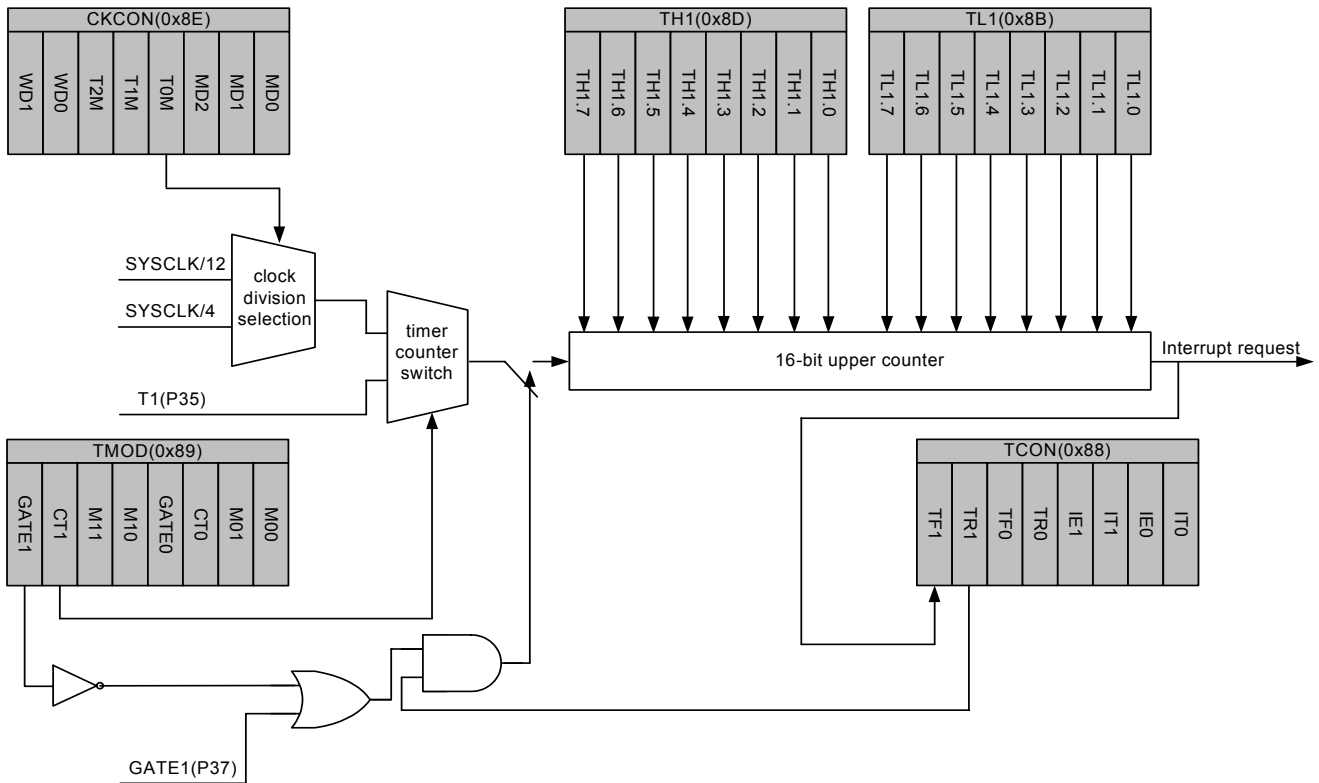


Figure 5-16 The block diagram of Timer 1 for Mode 1

5.9.2.7. Timer 1: Mode 2 (8-Bit Timer/Counter with Auto-reload Function)

Mode 2 configures the timer register as an 8-bit counter (TL1) with automatic reloads, as shown in Figure 5-17. Overflow from TL1 not only sets TF1, but also reloads TL1 with the

contents of TH1, which is loaded by software. The reload leaves TH1 unchanged.

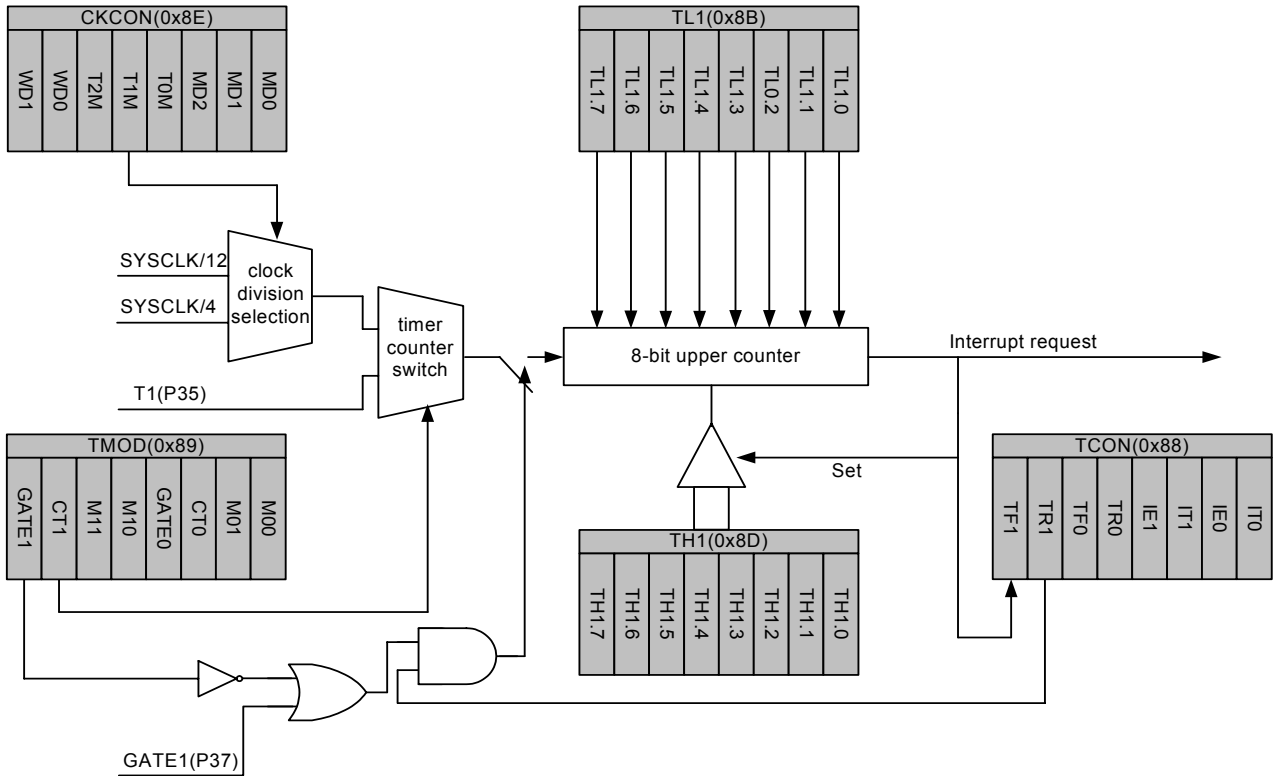


Figure 5-17 The block diagram of Timer 1 for Mode 2

5.9.2.8. Timer 1: Mode 3

Timer 1 in Mode 3 is has no timer function. The effect is the same as setting TR1=0.

5.9.3. Timer 2

The Timer 2, which is a 16-bit-wide register, can operate as timer. The additional Compare/Capture/Reload feature is one of the most powerful peripheral units of the core. It can be used for all kinds of digital signal generation and event capturing like pulse

generation, pulse width modulation, pulse width measuring etc. Figure 5-18 shows the block diagram of compare/capture function for Timer 2.

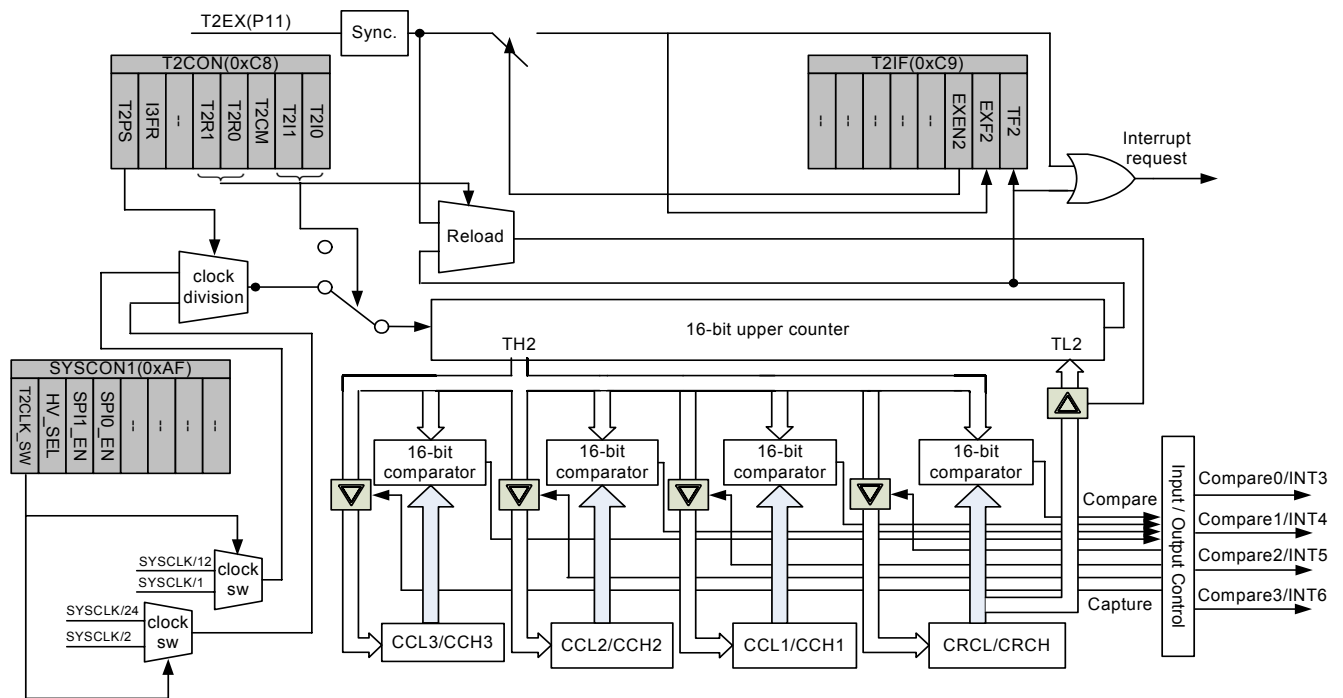


Figure 5-18 The block diagram of compare/capture function for Timer 2

5.9.3.1. Timer mode

In timer function, the count rate is derived from the oscillator frequency. A 2:1 pre-scaler offers the possibility of selecting a count rate of 1/12(1/1) or 1/24(1/2) of an oscillator frequency. Thus, the 16-bit timer register (consisted of TH2 and TL2) is either

incremented in every 1/12(1/1) clock periods or in every 1/24(1/2) clock periods. The pre-scaler is selected by bit T2PS of T2CON and the clock switch is selected by bit T2CLK_SW of SYSCON1.

5.9.3.2. Reload of Timer 2

The reload mode for Timer 2 is selected by T2R0 and T2R1 bits of T2CON. In mode 0, when Timer2 rolls over from all 1's to all 0's, not only TF2 is set but also Timer 2 registers is loaded with the 16-bit value from CRC register. Required CRC value can be preset by software. The reload occurs in the same clock cycle in which TF2 is set, thus overwriting the count value 0x0000. In

mode 1, a 16-bit reload from the CRC register is caused by a negative transition at the corresponding T2EX input pin(P11). In addition, this transition sets EXF2 flag, if bit EXEN2 is set. Setting EXF2 will generate an interrupt, if Timer 2 interrupt is enabled.

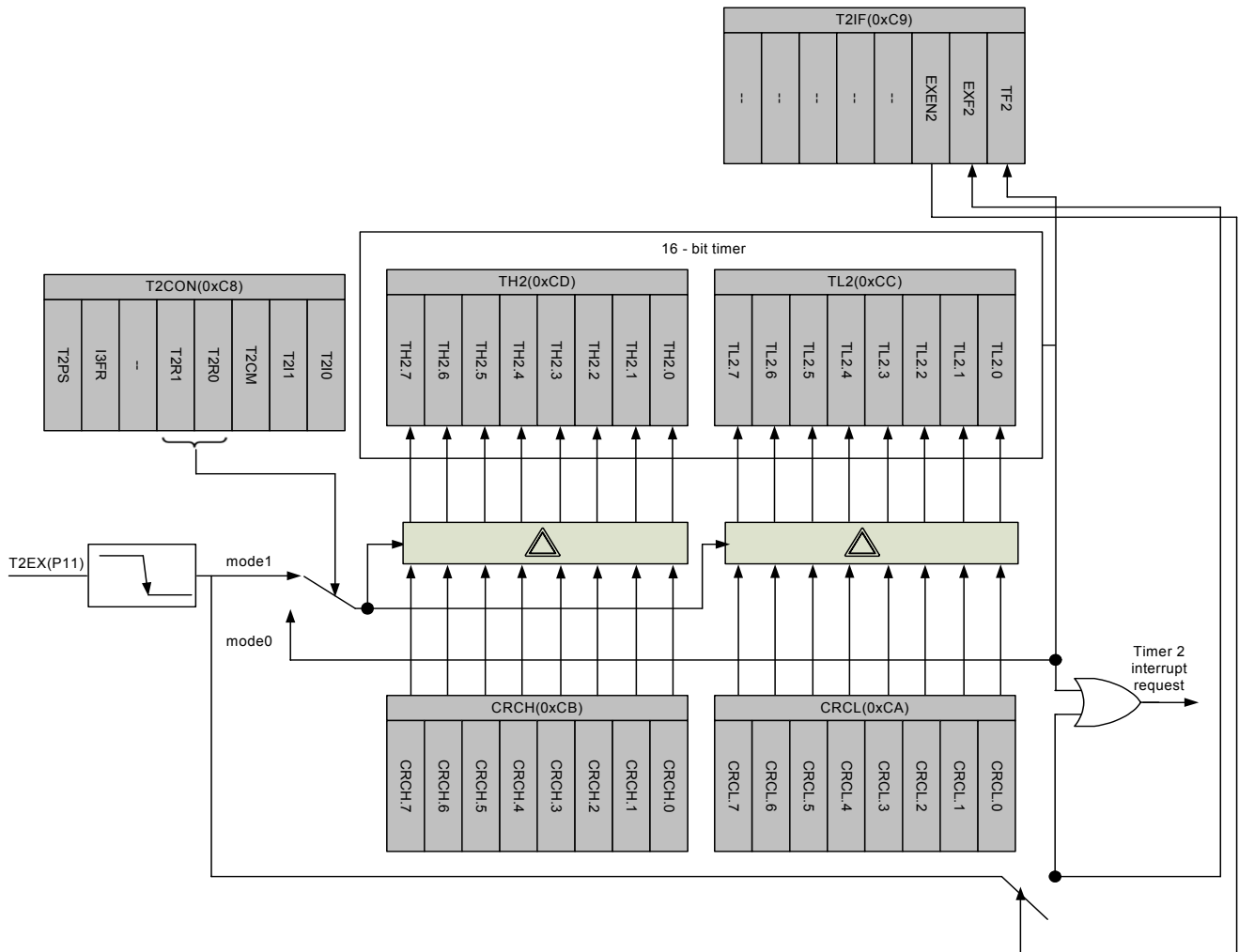


Figure 5-19 The block diagram of reload function for Timer 2

5.9.3.3. Compare functions

The 16-bit value stored in a compare/capture register is compared with the contents of the timer register. If the count value in the timer register matches the stored value, an appropriate output signal is generated at a corresponding port pin, and an interrupt is requested. The contents of a compare register can be considered as time stamp at which a dedicated output reacts in a predefined way (either with a positive or negative transition). Variation of this time stamp somehow changes the wave of a rectangular output signal at a port pin. This may - as a variation of the duty cycle of a periodic signal - be used for pulse width modulation as well as for a continually controlled generation of any kind of square waveforms. Two compare modes are implemented to cover a wide range of possible applications. The compare modes 0 and 1 are selected by bit T2CM in special

function register T2CON. In both compare modes, the new value arrives at certain pin of P1[3:1] within the same clock cycle in which the internal compare signal is activated.

Compare mode 0

In mode 0, upon matching the timer and compare register contents, an output signal changes from low to high. It goes back to a low level on timer overflow. As long as compare mode 0 is enabled, the appropriate output pin is controlled by the timer circuit exclusively. It means that instructions writing to the P1 pin will have no effect. Figure 5-20 shows a functional diagram of a port register in compare mode 0. The port register is directly controlled by the two signals: timer overflow and compare.

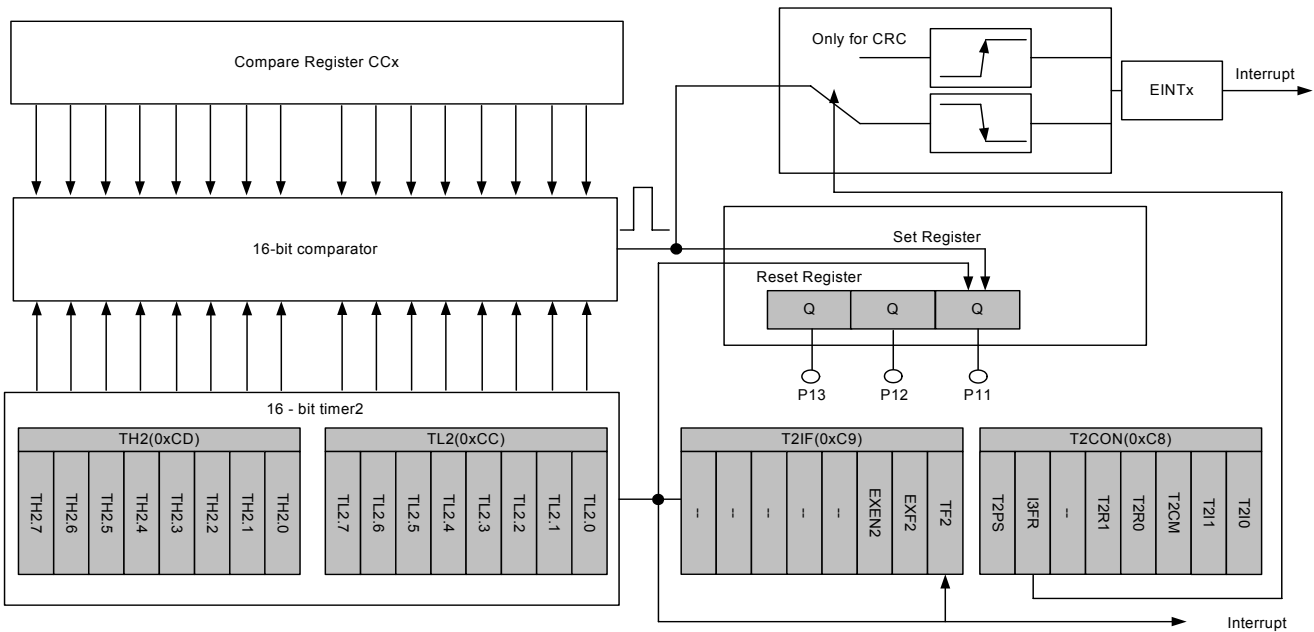


Figure 5-20 The block diagram of compare mode 0 for Timer 2

□ Compare mode 1

In compare mode 1, the software adaptively determines the transition of the output signal. It is commonly used when output signals are not related to a constant signal period. In compare mode 1, both transitions of a signal can be controlled. If mode 1 is enabled, and the software writes to an appropriate output register of P1, a new value will not appear at the output pin until

the next compare match occurs. User can select this way whether the output signal should make a new transition or should keep its old value, until the Timer 2 counter matches the stored compare value. Figure 5-21 shows a functional diagram of Timer 2 in compare mode 1.

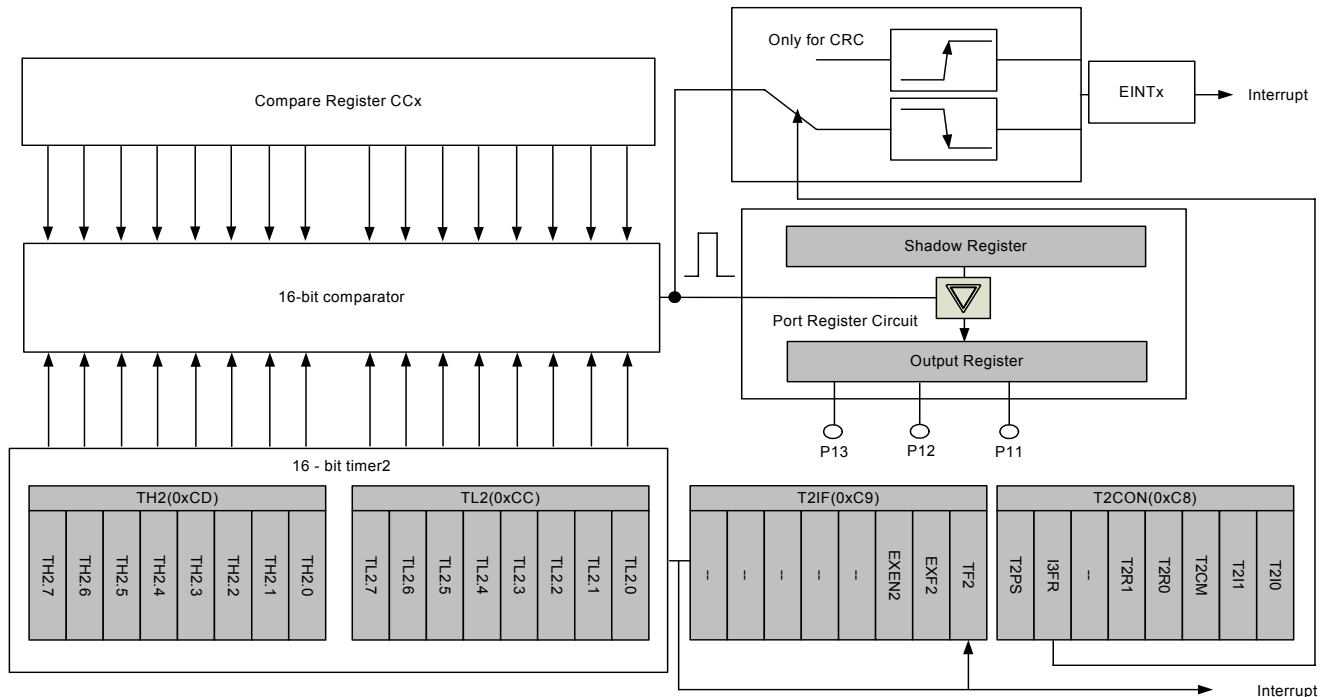


Figure 5-21 The block diagram of compare mode 1 for Timer 2

5.9.3.4. Capture functions

Each of compare/capture registers from CC1, CC2 and CC3 to CRC register can be used to latch the current 16-bit value of the Timer 2 registers TL2 and TH2. Two different modes are provided for this function.

□ Capture mode 0

In mode 0, an external event latches Timer 2 contents to a dedicated capture register. The external event causing a capture is

- for the CC registers 1 to 3: a positive transition on pins CAPTURE1 to CAPTURE3
- for the CRC register: a positive or negative transition on the CAPTURE0 pin, depending on the bit I3FR of T2CON. If the I3FR flag is cleared, a capture occurs in response to a negative transition; otherwise, a capture occurs in response to a positive transition on compare0 pin.

□ Capture mode 1

In mode 1, a capture will occur upon writing to the low order byte of the dedicated 16-bit capture register. This mode is provided to allow software reading of Timer 2 contents on-the fly. The capture occurs in response to a write instruction to the low order byte of a capture register. The write-to-register signal (e.g. write-to-CRCL) is used to initiate a capture. The value written to the dedicated capture register is irrelevant for this function. The Timer 2 contents will be latched into the appropriate capture register in the cycle following the write instruction. In this mode, no interrupt request will be generated.

Figure 5-22 and Figure 5-23 show functional diagrams of the Timer 2 capture function.

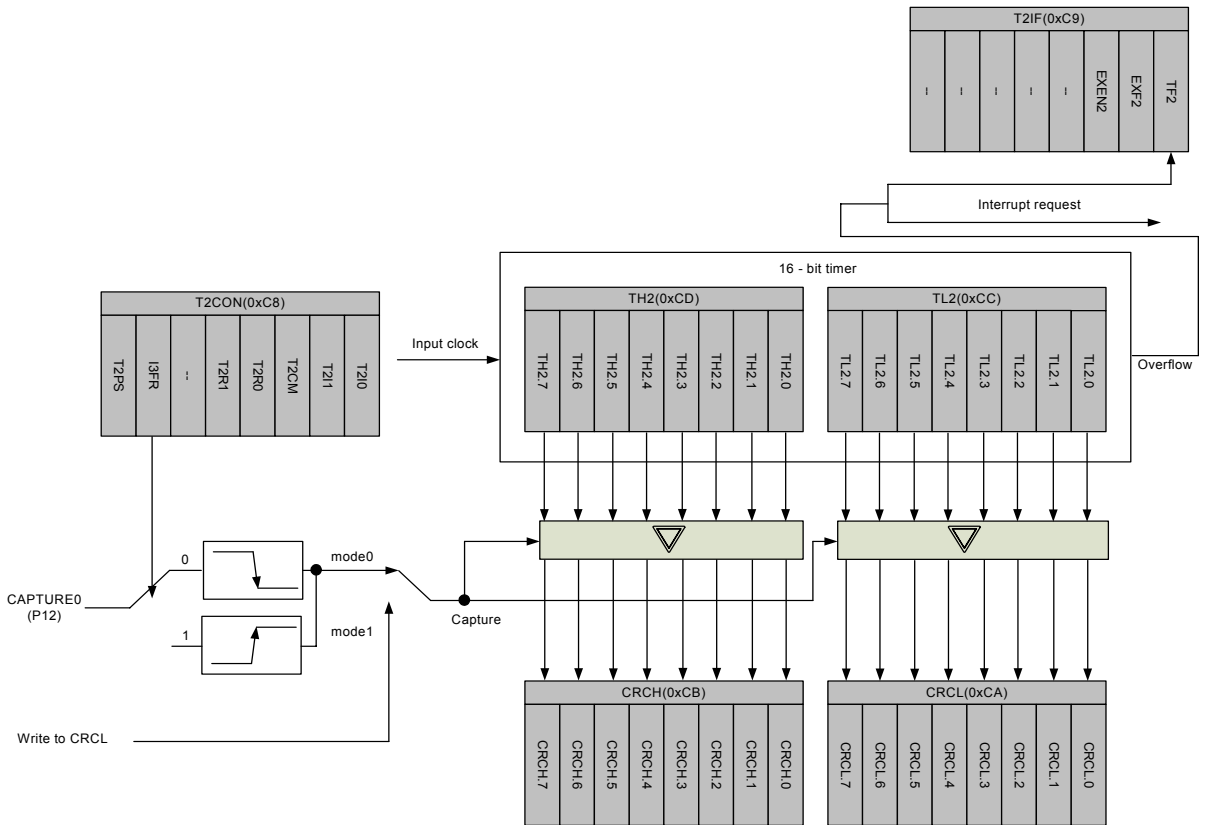


Figure 5-22 The block diagram of Timer 2 capture mode 0 for CRCL and CRCH

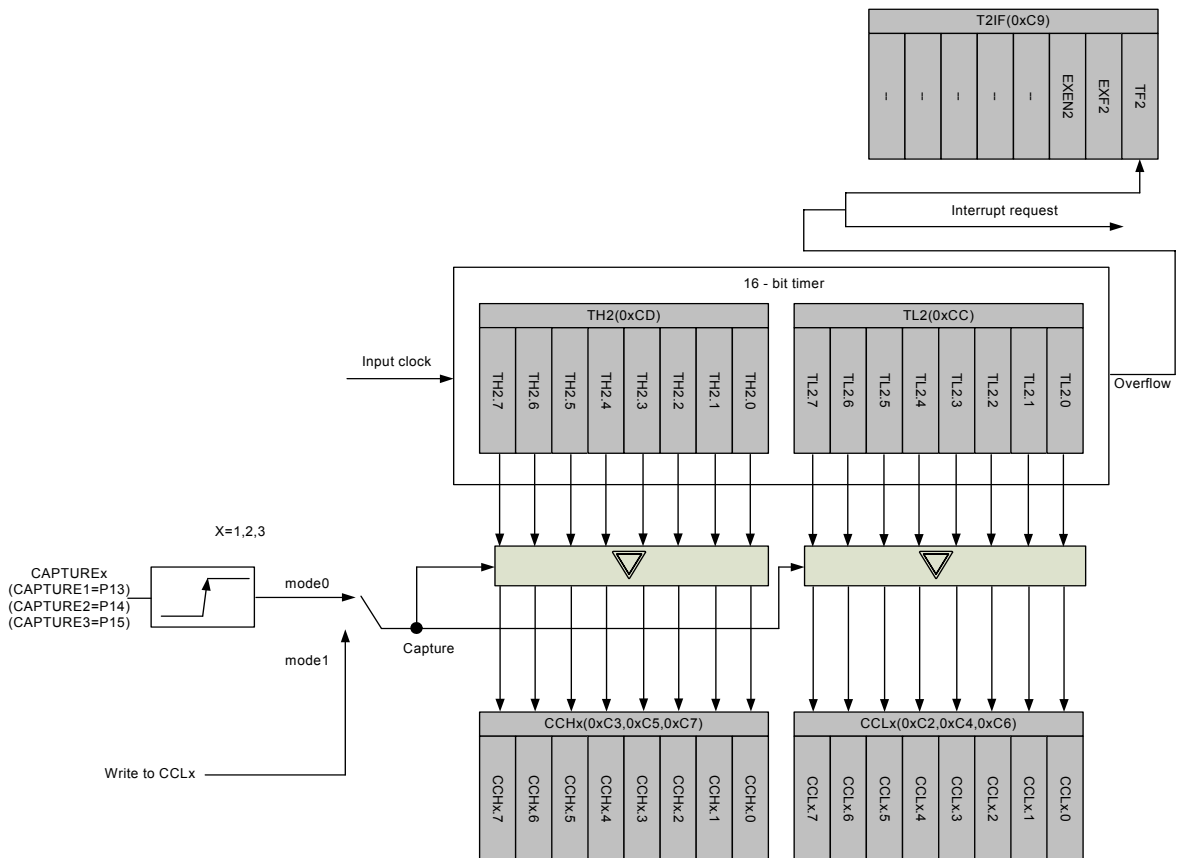


Figure 5-23 The block diagram of Timer 2 capture mode 0 for CCLx and CCHx (x=1,2,3)

5.9.3.5. Timer 2 Related Registers

SYSCON1			Address: 0xAF		SYSTEM Control1 Register			
Bit	7	6	5	4	3	2	1	0
Function	T2CLK_SW	HV_SEL	SPI1_EN	SPI0_EN	--	--	--	--
Default	0	0	0	0	0	0	1	1
Key Code	FF,00							

Bit	Function	Type	Description	Condition
7	T2CLK_SW	R/W	Timer 2 timer function input frequency switch 0: SYSCLK/12 (T2PS=0) or SYSCLK/24 (T2PS=1) 1: SYSCLK/1 (T2PS=0) or SYSCLK/2 (T2PS=1)	
6	HV_SEL	R/W	0: P07/P40/P41 are used as hall-sensors 1: P07/P05/P41 are used as hall-sensors	
5	SPI1_EN	R/W	SPI signals forward to P3[6:4] enable P3[4]: SPI_CLK P3[5]: SPI_TX P3[6]: SPI_RX	
4	SPI0_EN	R/W	SPI signals forward to P0[7:4] enable P0[4]: SPI_CSB P0[5]: SPI_CLK P0[6]: SPI_TX P0[7]: SPI_RX	
3:0	--	R/W	Reserved	

Table 5-77 SYSCON1 register

T2CON			Address: 0xC8		Timer2 Configuration Register			
Bit	7	6	5	4	3	2	1	0
Function	T2PS	I3FR	--	T2R1	T2R0	T2CM	T2I1	T2I0
Default	0	0	0	0	0	0	0	0

Bit	Function	Type	Description	Condition									
7	T2PS	R/W	Prescaler select bit 0: SYSCLK/12 or SYSCLK/1 1: SYSCLK/24 or SYSCLK/2										
6	I3FR	R/W	Interrupt edge activity selection bit of compare 0 function in combination with capture 0 function and register CRC Compare 0: 0: a negative transition on compare0 output can generate interrupt 1: a positive transition on compare0 output can generate interrupt Capture 0: 0: capture to CRC register occurs on a positive transition of CAPTURE0 pin 1: capture to CRC register occurs on a positive transition of CAPTURE0 pin										
5	--	R/W	Reserved										
4:3	T2R[1:0]	R/W	Timer 2 reload mode selection bit <table border="1" style="margin-left: 20px;"> <thead> <tr> <th>T2R1</th> <th>T2R0</th> <th>Function</th> </tr> </thead> <tbody> <tr> <td>0</td> <td>X</td> <td>Reload disabled</td> </tr> <tr> <td>1</td> <td>0</td> <td>Mode 0: auto-reload upon Timer 2 overflow</td> </tr> </tbody> </table>	T2R1	T2R0	Function	0	X	Reload disabled	1	0	Mode 0: auto-reload upon Timer 2 overflow	
T2R1	T2R0	Function											
0	X	Reload disabled											
1	0	Mode 0: auto-reload upon Timer 2 overflow											

Bit	Function	Type	Description	Condition															
			<table border="1"> <tr> <td>1</td> <td>1</td> <td>Mode 1: reload upon falling edge at pin T2EX</td> </tr> </table>	1	1	Mode 1: reload upon falling edge at pin T2EX													
1	1	Mode 1: reload upon falling edge at pin T2EX																	
2	T2CM	R/W	Compare mode select bit for registers CRC, CC1, CC2, and CC3 0: compare mode 0 is selected 1: compare mode 1 is selected																
1:0	T2[1:0]	R/W	Timer 2 input selection bit <table border="1"> <thead> <tr> <th>T21</th> <th>T2I0</th> <th>Function</th> </tr> </thead> <tbody> <tr> <td>0</td> <td>0</td> <td>No input selected, Timer 2 is stopped</td> </tr> <tr> <td>0</td> <td>1</td> <td>Timer function input frequency SYSCLK/12 or SYSCLK/1(T2PS=0) SYSCLK/24 or SYSCLK/2(T2PS=1)</td> </tr> <tr> <td>1</td> <td>0</td> <td>No input selected, Timer 2 is stopped</td> </tr> <tr> <td>1</td> <td>1</td> <td>No input selected, Timer 2 is stopped</td> </tr> </tbody> </table>	T21	T2I0	Function	0	0	No input selected, Timer 2 is stopped	0	1	Timer function input frequency SYSCLK/12 or SYSCLK/1(T2PS=0) SYSCLK/24 or SYSCLK/2(T2PS=1)	1	0	No input selected, Timer 2 is stopped	1	1	No input selected, Timer 2 is stopped	
T21	T2I0	Function																	
0	0	No input selected, Timer 2 is stopped																	
0	1	Timer function input frequency SYSCLK/12 or SYSCLK/1(T2PS=0) SYSCLK/24 or SYSCLK/2(T2PS=1)																	
1	0	No input selected, Timer 2 is stopped																	
1	1	No input selected, Timer 2 is stopped																	

Table 5-78 T2CON register

CCEN			Address: 0xCE		Compare/Capture Enable Register			
Bit	7	6	5	4	3	2	1	0
Function	CMH3	CML3	CMH2	CML2	CMH1	CML1	CMH0	CML0
Default	0	0	0	0	0	0	0	0

Bit	Function	Type	Description	Condition															
7:6	CM3[1:0]	R/W	Compare/capture mode for CC3 register <table border="1"> <thead> <tr> <th>CMH3</th> <th>CML3</th> <th>Function</th> </tr> </thead> <tbody> <tr> <td>0</td> <td>0</td> <td>Compare/capture disabled</td> </tr> <tr> <td>0</td> <td>1</td> <td>Capture on rising edge of CAPTURE3 pin</td> </tr> <tr> <td>1</td> <td>0</td> <td>Compare enabled</td> </tr> <tr> <td>1</td> <td>1</td> <td>Capture on write operation into register CCL3</td> </tr> </tbody> </table>	CMH3	CML3	Function	0	0	Compare/capture disabled	0	1	Capture on rising edge of CAPTURE3 pin	1	0	Compare enabled	1	1	Capture on write operation into register CCL3	
CMH3	CML3	Function																	
0	0	Compare/capture disabled																	
0	1	Capture on rising edge of CAPTURE3 pin																	
1	0	Compare enabled																	
1	1	Capture on write operation into register CCL3																	
5:4	CM2[1:0]	R/W	Compare/capture mode for CC2 register <table border="1"> <thead> <tr> <th>CMH2</th> <th>CML2</th> <th>Function</th> </tr> </thead> <tbody> <tr> <td>0</td> <td>0</td> <td>Compare/capture disabled</td> </tr> <tr> <td>0</td> <td>1</td> <td>Capture on rising edge of CAPTURE2 pin</td> </tr> <tr> <td>1</td> <td>0</td> <td>Compare enabled</td> </tr> <tr> <td>1</td> <td>1</td> <td>Capture on write operation into register CCL2</td> </tr> </tbody> </table>	CMH2	CML2	Function	0	0	Compare/capture disabled	0	1	Capture on rising edge of CAPTURE2 pin	1	0	Compare enabled	1	1	Capture on write operation into register CCL2	
CMH2	CML2	Function																	
0	0	Compare/capture disabled																	
0	1	Capture on rising edge of CAPTURE2 pin																	
1	0	Compare enabled																	
1	1	Capture on write operation into register CCL2																	
3:2	CM1[1:0]	R/W	Compare/capture mode for CC1 register <table border="1"> <thead> <tr> <th>CMH1</th> <th>CML1</th> <th>Function</th> </tr> </thead> <tbody> <tr> <td>0</td> <td>0</td> <td>Compare/capture disabled</td> </tr> <tr> <td>0</td> <td>1</td> <td>Capture on rising edge of CAPTURE1 pin</td> </tr> <tr> <td>1</td> <td>0</td> <td>Compare enabled</td> </tr> <tr> <td>1</td> <td>1</td> <td>Capture on write operation into register CCL1</td> </tr> </tbody> </table>	CMH1	CML1	Function	0	0	Compare/capture disabled	0	1	Capture on rising edge of CAPTURE1 pin	1	0	Compare enabled	1	1	Capture on write operation into register CCL1	
CMH1	CML1	Function																	
0	0	Compare/capture disabled																	
0	1	Capture on rising edge of CAPTURE1 pin																	
1	0	Compare enabled																	
1	1	Capture on write operation into register CCL1																	
1:0	CM0[1:0]	R/W	Compare/capture mode for CRC register <table border="1"> <thead> <tr> <th>CMH2</th> <th>CML2</th> <th>Function</th> </tr> </thead> <tbody> <tr> <td>0</td> <td>0</td> <td>Compare/capture disabled</td> </tr> <tr> <td>0</td> <td>1</td> <td>Capture on falling/rising edge of CAPTURE0 pin</td> </tr> <tr> <td>1</td> <td>0</td> <td>Compare enabled</td> </tr> <tr> <td>1</td> <td>1</td> <td>Capture on write operation into register CRCL</td> </tr> </tbody> </table>	CMH2	CML2	Function	0	0	Compare/capture disabled	0	1	Capture on falling/rising edge of CAPTURE0 pin	1	0	Compare enabled	1	1	Capture on write operation into register CRCL	
CMH2	CML2	Function																	
0	0	Compare/capture disabled																	
0	1	Capture on falling/rising edge of CAPTURE0 pin																	
1	0	Compare enabled																	
1	1	Capture on write operation into register CRCL																	

Table 5-79 CCEN register

T2IF			Address: 0xC9		Timer 2 Interrupt Flag Register			
Bit	7	6	5	4	3	2	1	0
Function	--	--	--	--	--	EXEN2	EXF2	TF2
Default	0	0	0	0	0	0	0	0

Bit	Function	Type	Description	Condition
7:3	--	R/W	Reserved	
2	EXEN2	R/W	Timer 2 external reload interrupt enable 0: external reload interrupt is disabled 1: external reload interrupt is enabled	
1	EXF2	R/W	Timer 2 external reload flag Cleared by the software	
0	TF2	R/W	Timer 2 overflow flag Cleared by the software	

Table 5-80 T2IF register

CCH1			Address: 0xC3		Timer 2 CC1 Register - high byte			
Bit	7	6	5	4	3	2	1	0
Function	CC1[15:8]							
Default	0	0	0	0	0	0	0	0

Bit	Function	Type	Description	Condition
7:0	CC1[15:8]	R/W	Timer2 compare/capture 1 - high byte	

Table 5-81 The CCH1 register

CCL1			Address: 0xC2		Timer 2 CC1 Register - low byte			
Bit	7	6	5	4	3	2	1	0
Function	CC1[7:0]							
Default	0	0	0	0	0	0	0	0

Bit	Function	Type	Description	Condition
7:0	CC1[7:0]	R/W	Timer2 compare/capture 1 - low byte	

Table 5-82 The CCL1 register

CCH2			Address: 0xC5		Timer 2 CC2 Register - high byte			
Bit	7	6	5	4	3	2	1	0
Function	CC2[15:8]							
Default	0	0	0	0	0	0	0	0

Bit	Function	Type	Description	Condition
7:0	CC2[15:8]	R/W	Timer2 compare/capture 2 - high byte	

Table 5-83 The CCH2 register

CCL2			Address: 0xC4		Timer 2 CC2 Register - low byte			
Bit	7	6	5	4	3	2	1	0
Function	CC2[7:0]							
Default	0	0	0	0	0	0	0	0

Bit	Function	Type	Description	Condition
7:0	CC2[7:0]	R/W	Timer2 compare/capture 2 - low byte	

Table 5-84 The CCL2 register

CCH3			Address: 0xC7		Timer 2 CC3 Register - high byte			
Bit	7	6	5	4	3	2	1	0
Function	CC3[15:8]							
Default	0	0	0	0	0	0	0	0

Bit	Function	Type	Description	Condition
7:0	CC3[15:8]	R/W	Timer2 compare/capture 3 - high byte	

Table 5-85 The CCH3 register

CCL3			Address: 0xC6		Timer 2 CC3 Register - low byte			
Bit	7	6	5	4	3	2	1	0
Function	CC3[7:0]							
Default	0	0	0	0	0	0	0	0

Bit	Function	Type	Description	Condition
7:0	CC3[7:0]	R/W	Timer2 compare/capture 3 - low byte	

Table 5-86 The CCL3 register

CRCH			Address: 0xCB		CRC Register - high byte			
Bit	7	6	5	4	3	2	1	0
Function	CRC[15:8]							
Default	0	0	0	0	0	0	0	0

Bit	Function	Type	Description	Condition
7:0	CRC[15:8]	R/W	CRC - high byte	

Table 5-87 The CRCH register

CRCL			Address: 0xCA		CRC Register - low byte			
Bit	7	6	5	4	3	2	1	0
Function	CRC[7:0]							
Default	0	0	0	0	0	0	0	0

Bit	Function	Type	Description	Condition
7:0	CRC[7:0]	R/W	CRC - low byte	

Table 5-88 The CRCL register

TH2			Address: 0xCD		Timer 2 High Byte Register			
Bit	7	6	5	4	3	2	1	0
Function	TH2[7:0]							
Default	0	0	0	0	0	0	0	0

Bit	Function	Type	Description	Condition
7:0	TH2[7:0]	R/W	Timer 2 Load value – high byte	

Table 5-89 TH2 register

TL2			Address: 0xCC		Timer 2 Low Byte Register			
Bit	7	6	5	4	3	2	1	0
Function	TL2[7:0]							
Default	0	0	0	0	0	0	0	0

Bit	Function	Type	Description	Condition
7:0	TL2[7:0]	R/W	Timer 2 Load value – low byte	

Table 5-90 TL2 register

5.10. UART0

UART0 has the same functionality as a standard 8051 UART. The serial port is full duplex, meaning it can transmit and receive concurrently. It is receive double-buffered, meaning it can commence reception of a second byte before a previously received byte has been read from the receive register. Writing to SBUF0 loads the transmit register, and reading SBUF0 reads a physically separate receive register. The serial port can operate in 4 modes: one synchronous and three asynchronous modes. Mode 2 and 3 have a special feature for multiprocessor communications. This feature is enabled by setting SM02 bit in SCON0 register. The master processor first sends out an address byte, which identifies the target slave. An address byte differs from a data byte in that the 9th bit is 1 in an address byte and 0 in a data byte. With SM02 = 1, no slave will be interrupted by a data byte. An address byte will interrupt all slaves. The

addressed slave will clear its SM02 bit and prepare to receive the data bytes that will be coming. The slaves that were not being addressed leave their SM02 set and ignoring the incoming data.

5.10.1. UART0: Mode 0 (Synchronous Shift register)

This mode is used as shift register IO control, and not for real communication application. The baud rate is fixed at 1/12 of the system clock frequency and TXD0(P31) output is a shift clock. Eight bits are transmitted with LSB first. Reception is initialized by setting the flags in SCON0 as follows: RI0 = 0 and REN0 = 1. Figure 5-24 shows the timing diagram of UART0 transmission mode 0.

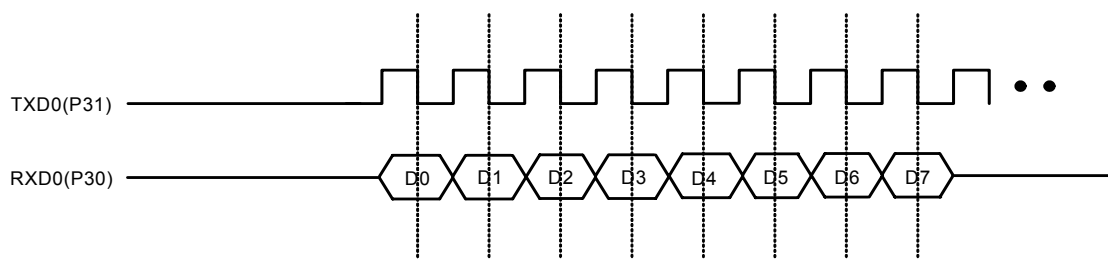


Figure 5-24 The timing diagram of UART0 transmission mode 0

5.10.2. UART0: Mode 1 (8-Bit UART, Variable Baud Rate, Timer1 Clock Source)

In mode 1, TXD0 serves as serial output. 10 bits are transmitted: a start bit (always 0), 8 data bits (LSB first), and a stop bit (always

1). On receive, a start bit synchronizes the reception, 8 data bits are available by reading SBUF0 and stop bit sets the flag RB08 in

the SFR SCON0. The baud rate is variable and depends from transmission mode 1.
Timer 1 mode. Figure 5-25 shows the timing diagram of UART0

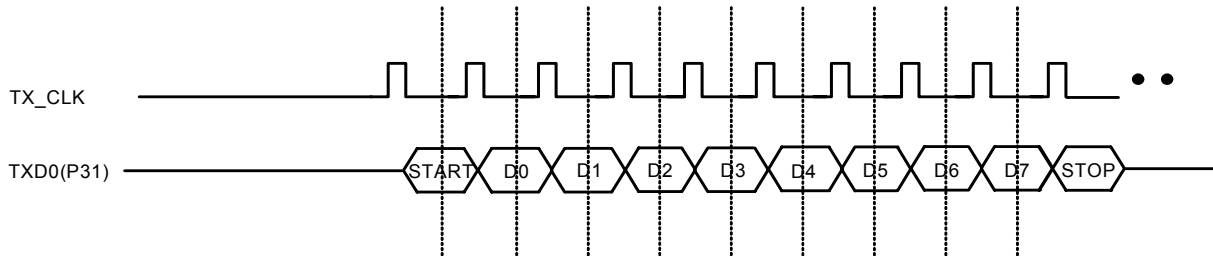


Figure 5-25 The timing diagram of UART0 transmission mode 1

5.10.3. UART0: Mode 2 (9-Bit UART, Fixed Baud Rate)

This mode is similar to Mode 1 with two differences. The baud rate is fixed at 1/32 or 1/64 of system clock frequency, and 11 bits are transmitted or received: a start bit (0), 8 data bits (LSB first), a programmable 9th bit, and a stop bit (1). The 9th bit can be used

to control the parity of the UART0 interface: at transmission, bit TB08 in SCON0 is output as the 9th bit, and at receive, the 9th bit affects RB08 in SCON0. Figure 5-26 shows the timing diagram of UART0 transmission mode 2.

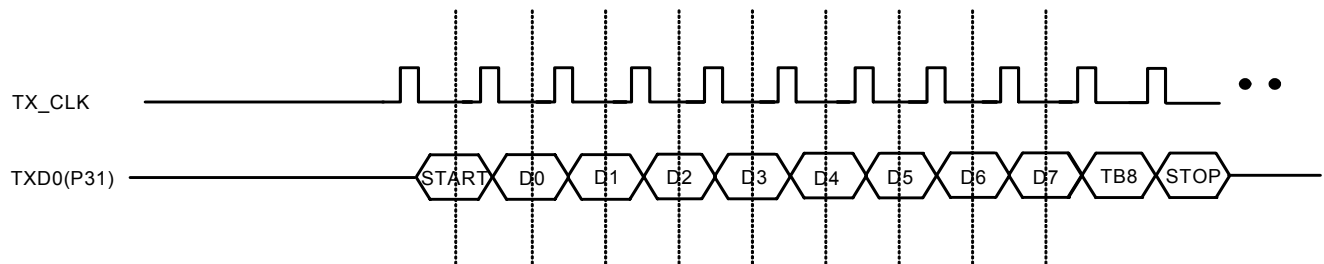


Figure 5-26 The timing diagram of UART0 transmission mode 2

5.10.4. UART0: Mode 3 (9-Bit UART, Variable Baud Rate, Timer1 Clock Source)

The only difference between Mode 2 and Mode 3 is that the baud rate is a variable in Mode 3. When RENO =1 data receiving is

enabled. The baud rate is variable and depends from Timer 1 mode.

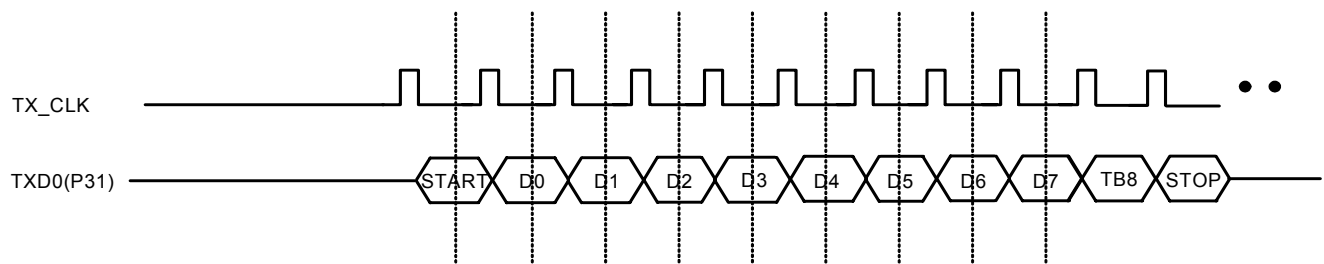


Figure 5-27 The timing diagram of UART0 transmission mode 3

5.10.5. UART0 Related Registers

The UART0 related registers are: SBUF0(0x99), SCON0(0x98), PCON(0x87), IE(0xA8) and IP(0xB8). The UART0 data buffer (SBUF0) consists of two separate registers: transmit and receive

registers. A data written into SBUF0 sets this data in UART0 output register and starts a transmission. A data read from SBUF0, reads data from the UART0 receive register.

SBUF0			Address: 0x99		UART0 Buffer Register			
Bit	7	6	5	4	3	2	1	0
Function	SBUF0[7:0]							
Default	0	0	0	0	0	0	0	0

Bit	Function	Type	Description	Condition
2:0	SBUF0[7:0]	R/W	UART0 buffer	

Table 5-91 SBUF0 register

SCON0			Address: 0x98		UART0 Configuration Register			
Bit	7	6	5	4	3	2	1	0
Function	SM00	SM01	SM02	REN0	TB08	RB08	TI0	RI0
Default	0	0	0	0	0	0	0	0

Bit	Function	Type	Description	Condition
7:6	SM0[1:0]	R/W	Mode and baud rate setting which described as below table	
5	SM02	R/W	Enables a multiprocessor communication feature	
4	REN0	R/W	Enable serial reception.	
3	TB08	R/W	The 9 th transmitted data bit in Modes 2 and Mode 3	
2	RB08	R/W	In Mode 0, this bit is not used In Mode 1, if SM02 is 0, RB08 is the stop bit. In Mode 2 and Mode 3, it is the 9th data bit received	
1	TI0	R/W	UART0 transmitter interrupt flag	
0	RI0	R/W	UART0 receiver interrupt flag	

Table 5-92 SCON0 register

SM00	SM01	Mode	Function	Baud rate
0	0	0	Shift register	SYSCLK/12
0	1	1	8-bit UART	variable
1	0	2	9-bit UART	SYSCLK/64(SMOD0=0) SYSCLK/32(SMOD0=1)
1	1	3	9-bit UART	variable

variable: in Mode1 and Mode 3

Timer	Baud rate
Timer 1 overflow rate	T1 _{ov} /32 (SMOD0=0)
Timer 1 overflow rate	T1 _{ov} /16 (SMOD0=1)

PCON			Address: 0x87		Power Configuration Register			
Bit	7	6	5	4	3	2	1	0
Function	SMOD0	--	CPU_IDLE	PWE	STOP_RST_EN	--	STOP	--
Default	0	0	0	0	0	0	0	0

Bit	Function	Type	Description	Condition
7	SMOD0	R/W	UART0 double baud rate bit when clocked by Timer1	
6	--	R/W	Reserved	
5	CPU_IDLE	R/W	IDLE mode enable bit 0: IDLE mode disabled; 1: IDLE mode entered	
4	PWE	R/W	Program Write Enable (PWE) 0: Disable Flash write activity during MOVX instruction	

Bit	Function	Type	Description	Condition
			1: Enable Flash write activity during MOVX instruction	
3	STOP_RST_EN	R/W	Wakeup state selection bit 0: Next instruction state after wakeup 1: Reset state after wakeup	
2	--	R/W	Reserved	
1	STOP	R/W	STOP mode enable bit 0: Disabled 1: Enabled	
0	--	R/W	Reserved	

Table 5-93 PCON register

IE			Address: 0xA8		Interrupt Enable Register			
Bit	7	6	5	4	3	2	1	0
Function	EA	--	ET2	ES0	ET1	EX1	ET0	EX0
Default	0	0	0	0	0	0	0	0

Bit	Function	Type	Description	Condition
7	EA	R/W	Enable global interrupts	
6	--	R/W	Reserved	
5	ET2	R/W	Enable Timer 2 interrupt	
4	ES0	R/W	Enable UART0 interrupt	
3	ET1	R/W	Enable Timer 1 interrupt	
2	EX1	R/W	Enable INT1 interrupt	
1	ET0	R/W	Enable Timer 0 interrupt	
0	EX0	R/W	Enable INT0 interrupt	

Table 5-94 IE register

IP			Address: 0xB8		Interrupt Priority Register			
Bit	7	6	5	4	3	2	1	0
Function	-	PS1	PT2	PS0	PT1	PX1	PT0	PX0
Default	0	0	0	0	0	0	0	0

Bit	Function	Type	Description	Condition
7:6	--	R/W	Reserved	
5	PT2	R/W	Timer 2 priority level control (1: high level)	
4	PS0	R/W	UART0 priority level control (1: high level)	
3	PT1	R/W	Timer 1 priority level control (1: high level)	
2	PX1	R/W	INT1 priority level control (1: high level)	
1	PT0	R/W	Timer 0 priority level control (1: high level)	
0	PX0	R/W	INT0 priority level control (1: high level)	

Table 5-95 IP register

5.11. SPI

A Serial Peripheral Interface (SPI) controller is built in devices and components. The SPI controller includes four GPM8F3132A/3116A/3108A to facilitate communicating with other master modes. There are four control signals on SPI including

SPI_CSB, SPI_CLK, SPI_TX, and SPI_RX, these four signals are shared with P0[7:4] or {PXX, P3[6:4]} (PXX is used for SPICSN and can be a random pin as long as it is not utilized for any other function) based on SPI0 or SPI1 is chosen. The control share I/O is set by SYSCON1[5:4]. While SPI module is enabled by corresponding control bit, these four pins cannot be GPIOs. In other words, any setting on corresponding GPIO control register will have no effect. The SPI provides following features.

- Programmable phase and polarity of master clock
- Programmable master SPI_CLK clock frequency

In master mode, the shifting clock (SPI_CLK) is generated by SPI

block. There are two control bits to control the clock phase and polarity. The transmission starts immediately after SPI_START is set (SPICON[0]=1,0xFC). The SPI shifts the 8-bit data from MSB to LSB through the SPI_TX pin during 8 SCK cycles. Programmer can read SPI data from SPIRXD control register by setting SPI_RD =1. The following four diagrams depict the timing scheme on SPI master mode for different operation types (polarity control bit equals "1" or "0", phase control bit equals "1" or "0"). The related registers are SYSCON1 register, SPICON register, SPITXD register and SPIRXD registers which are tabled as Table 5-96 to Table 5-99.

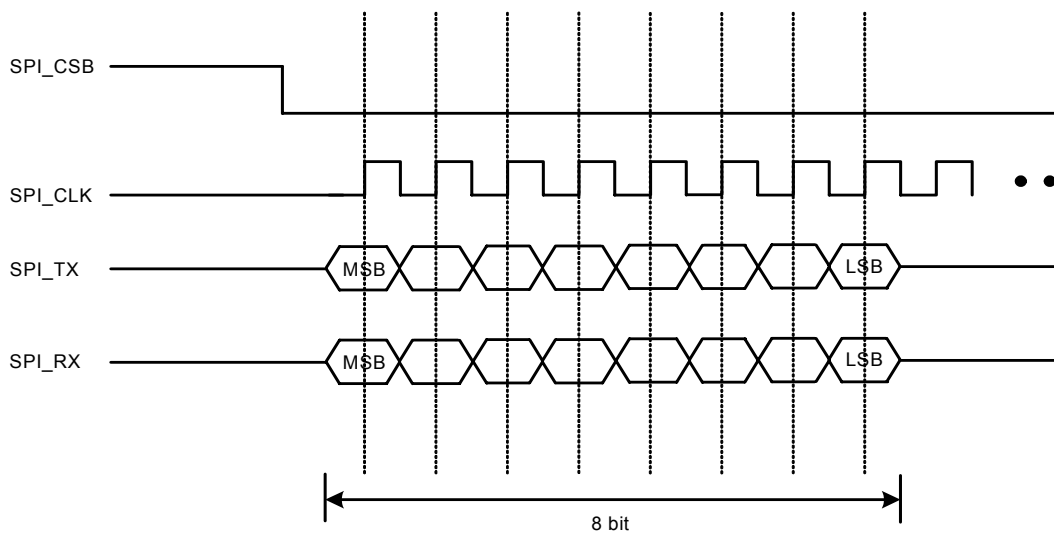


Figure 5-28 Master Mode, POLARITY=0, PHASE=0

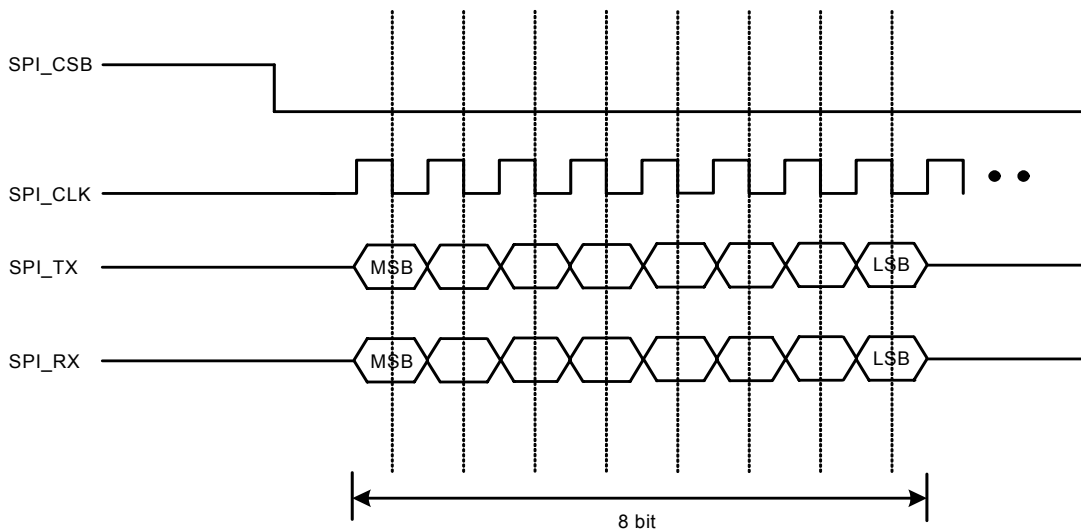


Figure 5-29 Master Mode, POLARITY=0, PHASE=1

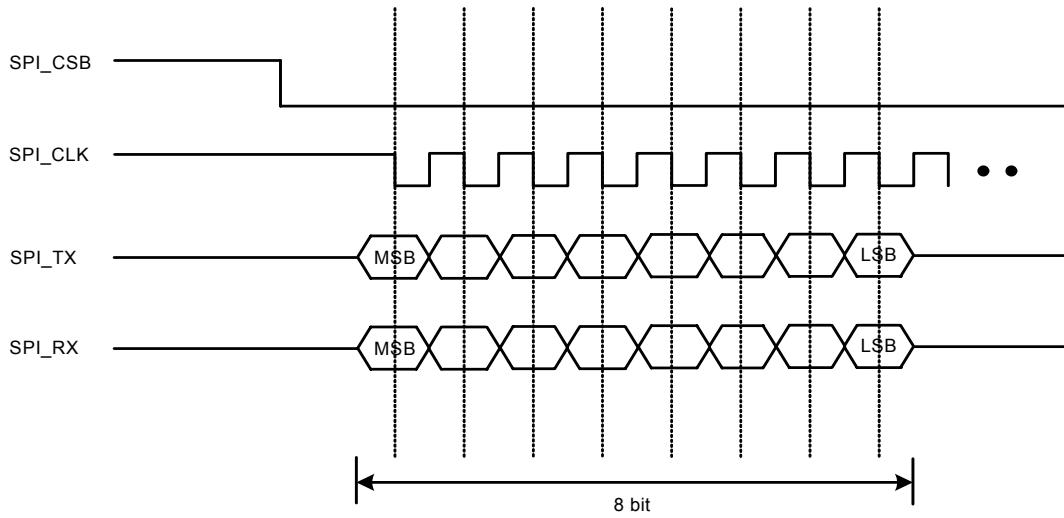


Figure 5-30 Master Mode, POLARITY=1, PHASE=0

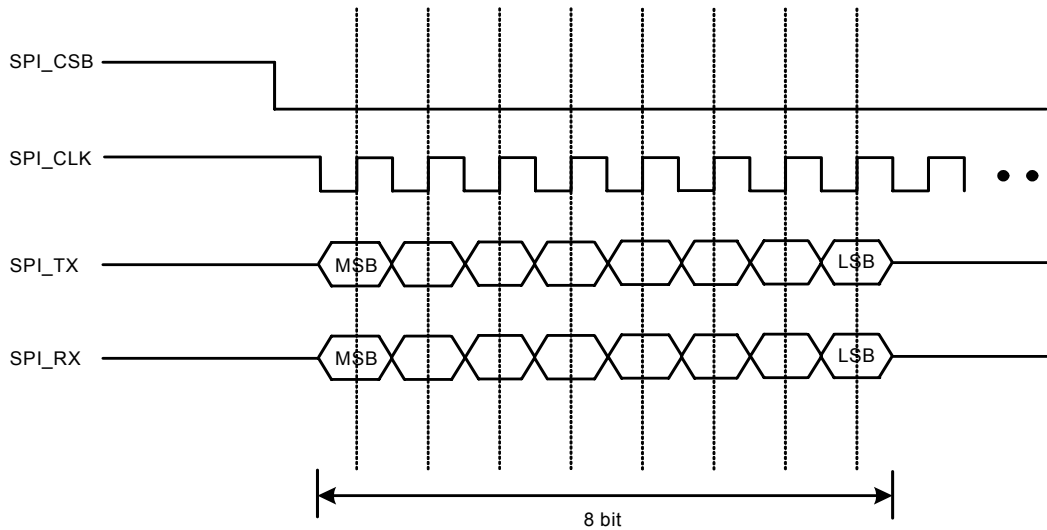


Figure 5-31 Master Mode, POLARITY=1, PHASE=1

SYSCON1			Address: 0xAF		SYSTEM Control1 Register			
Bit	7	6	5	4	3	2	1	0
Function	T2CLK_SW	HV_SEL	SPI1_EN	SPI0_EN	--	--	--	--
Default	0	0	0	0	0	0	1	1
Key Code	FF,00							

Bit	Function	Type	Description	Condition
7	T2CLK_SW	R/W	Timer 2 timer function input frequency switch 0: SYSCLK/12 (T2PS=0) or SYSCLK/24 (T2PS=1) 1: SYSCLK/1 (T2PS=0) or SYSCLK/2 (T2PS=1)	
6	HV_SEL	R/W	0: P07/P40/P41 are used as hall-sensors 1: P07/P05/P41 are used as hall-sensors	
5	SPI1_EN	R/W	SPI signals forward to P3[6:4] enable P3[4]: SPI_CLK P3[5]: SPI_TX P3[6]: SPI_RX	

Bit	Function	Type	Description	Condition
4	SPI0_EN	R/W	SPI signals forward to P0[7:4] enable P0[4]: SPI_CSB P0[5]: SPI_CLK P0[6]: SPI_TX P0[7]: SPI_RX	
3:0	--	R/W	Reserved	

Table 5-96 SYSCON1 register

SPICON			Address: 0xFC		SPI Control Register			
Bit	7	6	5	4	3	2	1	0
Function	POLARITY	PHASE	SPI_CLK_SEL[1:0]		CSB_KEEP	--	SPI_RD	SPI_START
Default	0	0	0	0	0	0	0	0

Bit	Function	Type	Description	Condition
7	POLARITY	R/W	SPI CLK initial state 0: low state; 1: high state	
6	PHASE	R/W	SPI CLK type control 0: rising sample; 1: falling sample	
5:4	SPI_CLK_SEL[1:0]	R/W	SPI Clock output selection: 00: SYSCLK/2 01: SYSCLK/4 10: SYSCLK/8 11: SYSCLK/16	
3	CSB_KEEP	R/W	SPI CSB keep low control, high active	
2	--	R/W	Reserved	
1	SPI_RD	R/W	SPI read command	
0	SPI_START	R/W	SPI enable(W)/SPI busy flag(R)	

Table 5-97 SPICON register

SPITXD			Address: 0xFD		SPI Output Buffer Register			
Bit	7	6	5	4	3	2	1	0
Function	SPITXD[7:0]							
Default	0	0	0	0	0	0	0	0

Bit	Function	Type	Description	Condition
7:0	SPITXD	R/W	SPI output buffer	

Table 5-98 SPITXD register

SPIRXD			Address: 0xFE		SPI Input Buffer Register			
Bit	7	6	5	4	3	2	1	0
Function	SPIRXD[7:0]							
Default	0	0	0	0	0	0	0	0

Bit	Function	Type	Description	Condition
7:0	SPIRXD	R/W	SPI input buffer	

Table 5-99 SPIRXD register

5.12. ADC

There is one Analog-to-Digital-Converter (ADC) in GPM8F3132A/3116A/3108A. It provides general purpose usages such as voice record feature and any other analog functions.

- 8 Channels, 12-bit resolution (11-bit no-missing code) ADC
- Supports programming sample hold and ADC clock function

5.12.1. ADC Control

Eight channels of 12-bit SAR ADC are built in GPM8F3132A/3116A/3108A. They are defined as general-purpose line input P00, P01 ... P07. These eight channels are very suitable for system voltage detection and other general-purpose usages. In addition, there is an AD_BITSEL control pin which can choose 8-bit ADC or 12-bit ADC to be used. Figure 5-32 and Figure 5-33 show the related timing and block diagrams.

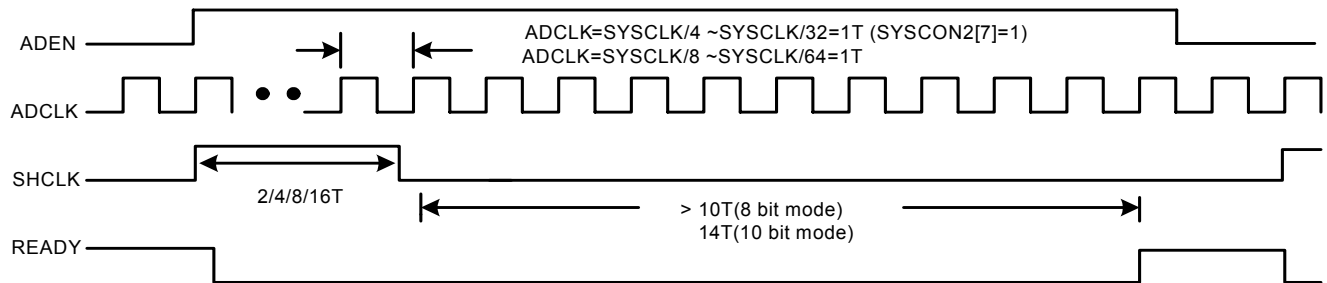


Figure 5-32 The timing diagram of ADC control

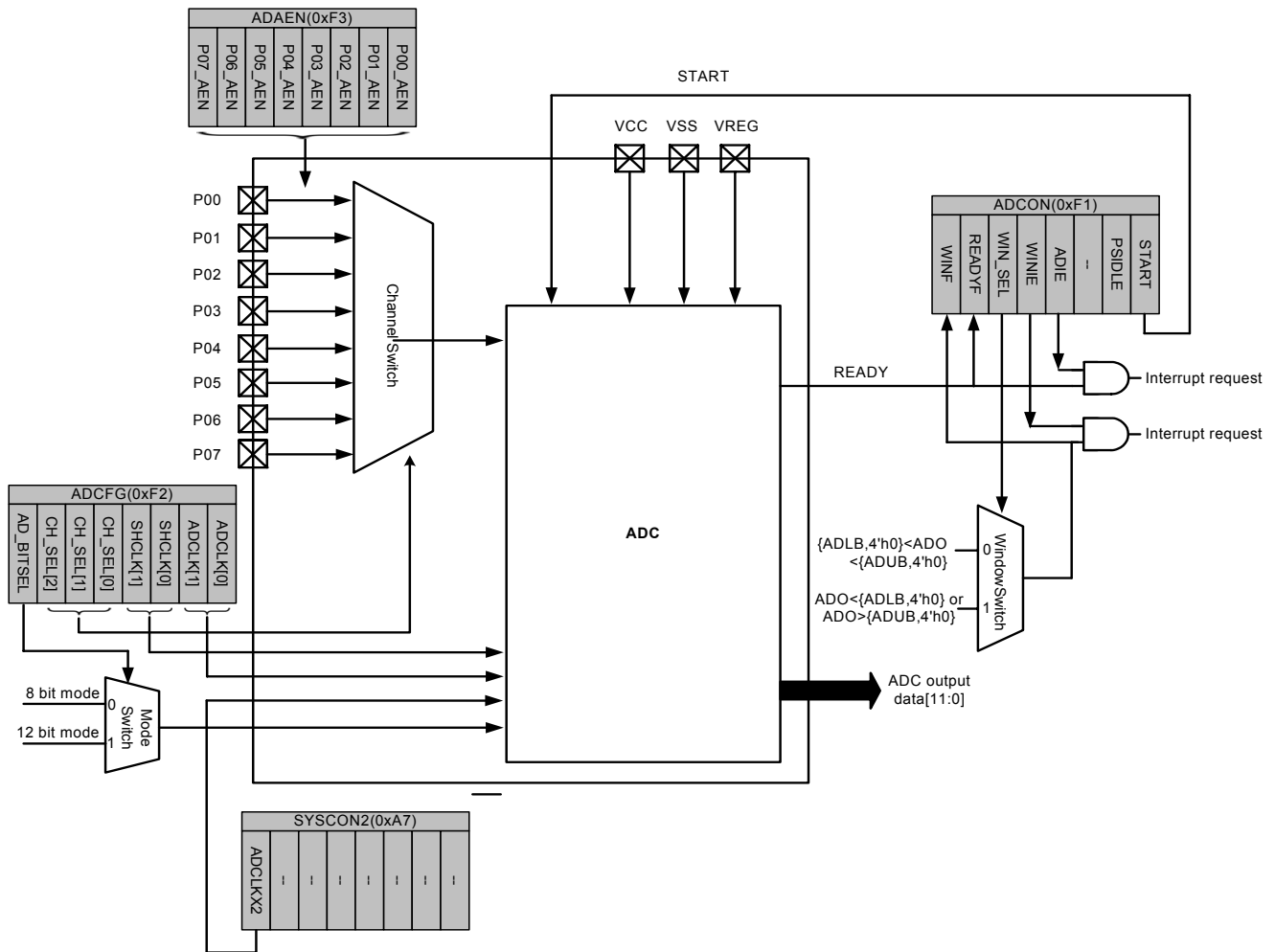


Figure 5-33 The block diagram of ADC

ADC Related Register

ADCON			Address: 0xF1		ADC Control Register			
Bit	7	6	5	4	3	2	1	0
Function	WINF	READYF	WIN_SEL	WINIE	ADIE	--	PSIDLE	START
Default	0	0	0	0	0	0	0	0

Bit	Function	Type	Description	Condition
7	WINF	R/W	Window detect flag, cleared by 1.	
6	READYF	R/W	ADC transfer ready flag, cleared by 1.	
5	WIN_SEL	R/W	ADC output window selection 0: ADC output is between ADLB and ADUB 1: ADC output isn't between ADLB and ADUB	
4	WINIE	R/W	ADC window interrupt enable	
3	ADIE	R/W	ADC transfer ready interrupt enable	
2	--	R/W	Reserved	
1	PSIDLE	R/W	IDLE mode enable bit (ADC start transfer with suspending CPU clock)	
0	START	R/W	ADC start transfer control	

Table 5-100 ADCON register

ADCFG			Address: 0xF2		ADC Configuration Register			
Bit	7	6	5	4	3	2	1	0
Function	AD_BITSEL	CH_SEL[2:0]			SHCLK[1:0]		ADCLK[1:0]	
Default	0	0	0	0	0	0	0	0

Bit	Function	Type	Description	Condition
7	AD_BITSEL	R/W	0: 8-bit ADC; 1: 12-bit ADC	
6:4	CH_SEL[2:0]	R/W	ADC channel selection 0: P00 is selected 1: P01 is selected 2: P02 is selected 3: P03 is selected 4: P04 is selected 5: P05 is selected 6: P06 is selected 7: P07 is selected	
3:2	SHCLK[1:0]	R/W	ADC sample and hold period 0: 2T of ADCLK 1: 4T of ADCLK 2: 8T of ADCLK 3: 16T of ADCLK	
1:0	ADCLK	R/W	ADC clock selection 0: ADC conversion clock = 3.0625MHz (F _{OSC} /8) 1: ADC conversion clock = 1.53MHz (F _{OSC} /16) 2: ADC conversion clock = 765.625KHz (F _{OSC} /32) 3: ADC conversion clock = 382.81KHz (F _{OSC} /64)	

Table 5-101 ADCFG register

ADAEN			Address: 0xF3		ADC Analog PAD Enable Register			
Bit	7	6	5	4	3	2	1	0
Function	P07_AEN	P06_AEN	P05_AEN	P04_AEN	P03_AEN	P02_AEN	P01_AEN	P00_AEN
Default	0	0	0	0	0	0	0	0

Bit	Function	Type	Description	Condition
7	P07_AEN	R/W	P07 analog PAD enable control bit 0: P07 can be I/O PAD 1: P07 can be analog PAD	
6	P06_AEN	R/W	P06 analog PAD enable control bit 0: P06 can be I/O PAD 1: P06 can be analog PAD	
5	P05_AEN	R/W	P05 analog PAD enable control bit 0: P05 can be I/O PAD 1: P05 can be analog PAD	
4	P04_AEN	R/W	P04 analog PAD enable control bit 0: P04 can be I/O PAD 1: P04 can be analog PAD	
3	P03_AEN	R/W	P03 analog PAD enable control bit	

Bit	Function	Type	Description	Condition
			0: P03 can be I/O PAD 1: P03 can be analog PAD	
2	P02_AEN	R/W	P02 analog PAD enable control bit 0: P02 can be I/O PAD 1: P02 can be analog PAD	
1	P01_AEN	R/W	P01 analog PAD enable control bit 0: P01 can be I/O PAD 1: P01 can be analog PAD	
0	P00_AEN	R/W	P00 analog PAD enable control bit 0: P00 can be I/O PAD 1: P00 can be analog PAD	

Table 5-102 ADAEN register

ADOL			Address: 0xF4		ADC Output Low Data Register			
Bit	7	6	5	4	3	2	1	0
Function					ADO[3:0]			
Default	0	0	0	0				

Bit	Function	Type	Description	Condition
7:4	--	R/W	Reserved	
3:0	ADO[3:0]	R/W	ADC output data[3:0]	

Table 5-103 ADOL register

ADOH			Address: 0xF5		ADC Output High Data Register			
Bit	7	6	5	4	3	2	1	0
Function	ADO[11:4]							
Default								

Bit	Function	Type	Description	Condition
7:0	ADO[11:4]	R/W	ADC output data[11:4]	

Table 5-104 ADOH register

ADLB			Address: 0xF6		ADC Low Boundary register			
Bit	7	6	5	4	3	2	1	0
Function	ADLB[7:0]							
Default	0	0	0	0	0	0	0	0

Bit	Function	Type	Description	Condition
7:0	ADLB	R/W	ADC low boundary, compare to ADC[11:4]	

Table 5-105 ADLB register

ADUB			Address: 0xF7		ADC UP Boundary register			
Bit	7	6	5	4	3	2	1	0
Function	ADUB[7:0]							
Default	0	0	0	0	0	0	0	0

Bit	Function	Type	Description	Condition
7:0	ADUB	R/W	ADC up boundary, compare to ADC[11:4]	

Table 5-106 ADUB register

SYSCON2			Address: 0xA7		SYSTEM control2 Register			
Bit	7	6	5	4	3	2	1	0
Function	ADCLKX2	--	INT_filter_en	GPIO_SSO	SCHMIT_DIS_P3	SCHMIT_DIS_P2	SCHMIT_DIS_P1	SCHMIT_DIS_P0
Default	0	0	0	0	0	0	0	0
Key Code	FF,00							

Bit	Function	Type	Description	Condition
7	ADCLKX2	R/W	ADCLK double enable bit	
6	--	R/W	Reserved	
5	INT_filter_en	R/W	INT0~INT2 pad filter enable bit 0: no filter 1: 2us	
4	GPIO_SSO	R/W	GPIO SSO function enable bit (Avoid GPIO change simultaneously)	
3	SCHMIT_DIS_P3	R/W	P3 schmitt trigger function disable control bit	
2	SCHMIT_DIS_P2	R/W	P2 schmitt trigger function disable control bit	
1	SCHMIT_DIS_P1	R/W	P1 schmitt trigger function disable control bit	
0	SCHMIT_DIS_P0	R/W	P0 schmitt trigger function disable control bit	

Table 5-107 SYSCON2 register

5.13. Motor Control Unit

In GPM8F3132A/3116A/3108A, there is one motor control module utilized to control motors by {P26, P25, P24, P23, P22, P21}. P21 and P22 are used as PWM0 output and PWM1 output. P23 and P24 are used as PWM2 output and PWM3 output. P25 and P26 are used as PWM4 output and PWM5 output. The related registers are tabled as follows. MDPRL register and MDPDH register control PWM frequency. CMP0, CMP1, and CMP2 registers control PWM duty for PWM0/1, PWM2/3 and PWM4/5

separately. In PWMCON1 register, PWMCON1[2] controls the PWM mode which is edge-aligned or center-aligned. Figure 5-34 and Figure 5-35 show the waveforms of PWM output for these two modes. PWMCON1[3] control synchronous function of PWM output. If this bit is set to '1', PWM0/2/4 are complementary to PWM1/3/5, otherwise, PWM output is controlled by PWMCON2[2:0] setting.

PWMCON1			Address: 0xB9		PWM Control Register 1			
Bit	7	6	5	4	3	2	1	0
Function	PWM_EN	MATCH_EN	TMR5EN	--	SYNC_RECT	TYPE	PWMCK_SEL[1:0]	
Default	0	0	0	0	0	0	0	0

Bit	Function	Type	Description	Condition
7	PWM_EN	R/W	Enable PWM function	
6	MATCH_EN	R/W	Auto phase changing function enable bit 0: Disable auto phase changing function 1: Enable auto phase changing function	

Bit	Function	Type	Description	Condition
5	TMR5EN	R/W	Enable Timer 5	
4	--	R/W	Reserved	
3	SYNC_RECT	R/W	Enable synchronous function 0: PWM0~PWM5 output mode is decided by PWMCON2[2:0] 1: PWM0/2/4 are complementary to PWM1/3/5	
2	TYPE	R/W	0: edge-aligned (sawtooth wave PWM) 1: center aligned (triangular wave PWM)	
1:0	PWMCK_SEL[1:0]	R/W	PWM clock divider 00: SYSCLK 01: SYSCLK/2 10: SYSCLK/4 11: SYSCLK/8	

Table 5-108 PWMCON1 register

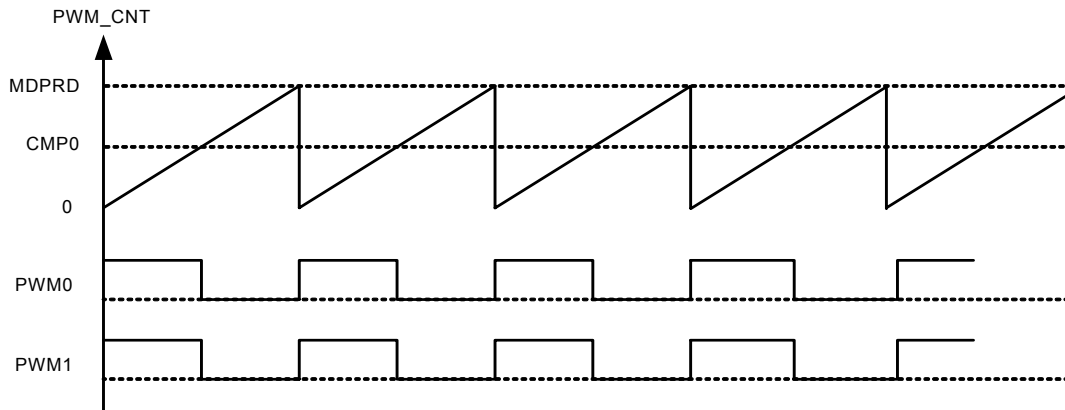


Figure 5-34 PWM output if PWM_MODE is edge-aligned(sawtooth wave PWM), independent mode, polarity=0

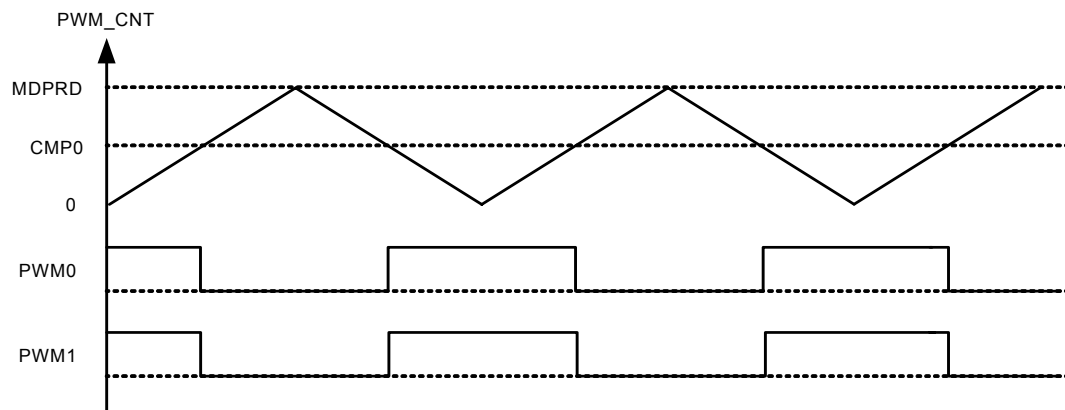


Figure 5-35 PWM output if PWM_MODE is center-aligned(triangular wave PWM), independent mode, polarity=0

MDPRDH			Address: 0xBB		MSB of PWM Cycle Register			
Bit	7	6	5	4	3	2	1	0
Function	--	--	--	--	MDPRD[11:8]			
Default	0	0	0	0	0	0	0	0

MDPRDL		Address: 0xBA			LSB of PWM Cycle Register			
Bit	7	6	5	4	3	2	1	0
Function	MDPRD[7:0]							
Default	0	0	0	0	0	0	0	1

Note: MDPRD can not be 0xFFFF

Table 5-109 MDPRD register

CMP0H		Address: 0xD2			MSB of PWM Duty Register 0			
Bit	7	6	5	4	3	2	1	0
Function	--	--	--	--	CMP0 compare level: CMP0[11:8]			
Default	0	0	0	0	0	0	0	0

CMP0L		Address: 0xD1			LSB of PWM Duty Register 0			
Bit	7	6	5	4	3	2	1	0
Function	CMP0[7:0]							
Default	1	0	1	0	0	0	0	0

Table 5-110 CMP0 register

CMP1H		Address: 0xD4			MSB of PWM Duty Register 1			
Bit	7	6	5	4	3	2	1	0
Function	--	--	--	--	CMP1 compare level: CMP1[11:8]			
Default	0	0	0	0	0	0	0	0

CMP1L		Address: 0xD3			LSB of PWM Duty Register 1			
Bit	7	6	5	4	3	2	1	0
Function	CMP1[7:0]							
Default	1	0	1	1	0	0	0	0

Table 5-111 CMP1 register

CMP2H		Address: 0xD6			MSB of PWM Duty Register 2			
Bit	7	6	5	4	3	2	1	0
Function	--	--	--	--	CMP2 compare level: CMP2[11:8]			
Default	0	0	0	0	0	0	0	0

CMP2L		Address: 0xD5			LSB of PWM Duty Register 2			
Bit	7	6	5	4	3	2	1	0
Function	CMP2[7:0]							
Default	1	1	0	0	0	0	0	0

Table 5-112 CMP2 register

DTR controls if the dead-time function is enabled. If DTR register is not equal to zero, dead-time function is enabled, and the period of dead time is equal to $PWMCK * DTR$ value.

Figure 5-36 and Figure 5-37 show the examples of sawtooth wave PWM and triangular wave PWM if DTR is not "0".

DTR		Address: 0xBC			Dead-timer period Register			
Bit	7	6	5	4	3	2	1	0
Function	PWM Dead Time Period : DTR[7:0]							
Default	0	0	0	0	0	0	0	0

Table 5-113 DTR register

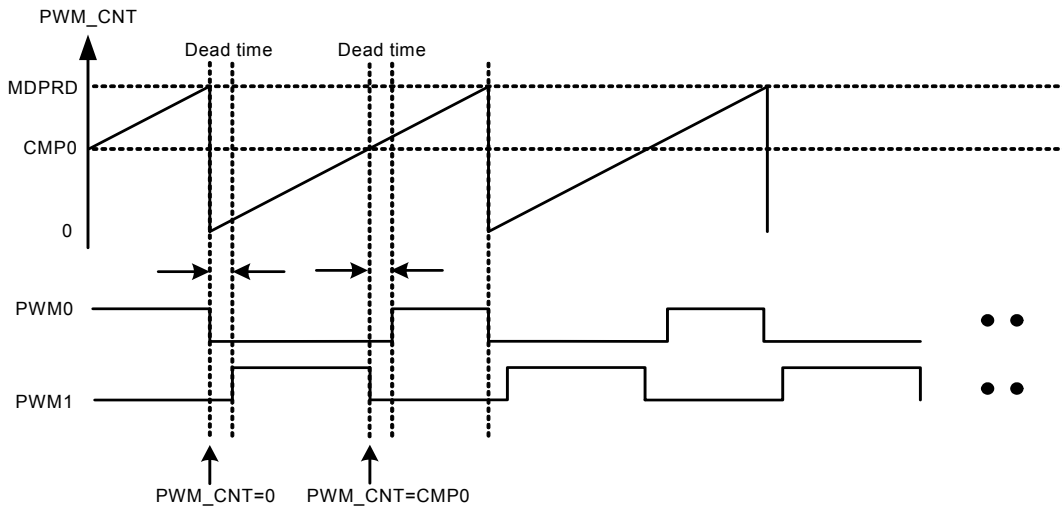


Figure 5-36 PWM output if dead-time function is enabled. Complementary mode and polarity =0 (sawtooth wave PWM)

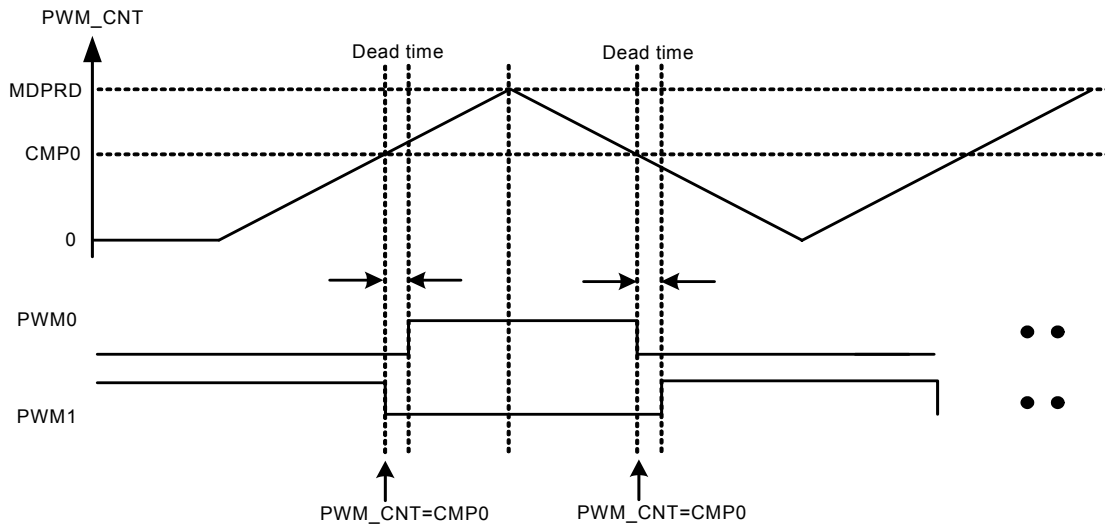


Figure 5-37 PWM output if dead-time function is enabled. Complementary mode and polarity =0 (triangular wave PWM)

In PWMCON2 register, PWMCON2[2:0] decides the PWM output mode of PWM0/1, PWM2/3 and PWM4/5 respectively. If bit 0 is set to '0', independent mode is chosen for PWM0 and PWM1. On the contrary, complementary mode is selected. Figure 5-38 and Figure 5-39 show the examples of PWM output of these two modes. PWMCON2[5:3] control whether the PWM output is output on {P26, P25, P24, P23, P22, P21}. PWMCON2[7] offers a mode that ADC conversion can synchronize to PWM output.

There are four positions totally which user can choose where ADC starts to work in the ADCPWM register. Figure 5-40 and Figure 5-41 show the diagrams of four positions when PWMCON2[7] = 1 for sawtooth wave PWM and triangular wave PWM. In addition, there is a special function in position 2 that user can shift the position forward a period which equals to {ADC_SYNC_SHIFT[2:0], 3'b000} * SYSCLK.

PWMCON2			Address: 0xD9		PWM Control Register 2			
Bit	7	6	5	4	3	2	1	0
Function	PWMSYNC_ADC	--	PWM45_EN	PWM23_EN	PWM01_EN	PWM45_MODE	PWM23_MODE	PWM01_MODE
Default	0	0	0	0	0	0	0	0

Bit	Function	Type	Description	Condition
7	PWMSYNC_ADC	R/W	Enable ADC conversion sync to PWM mode	
6	--	R/W	Reserved	
5	PWM45_EN	R/W	0: Disable PWM4/5 output 1: P25 and P26 are PWM4 and PWM5	
4	PWM23_EN	R/W	0: Disable PWM3/2 output 1: P23 and P24 are PWM2 and PWM3	
3	PWM01_EN	R/W	0: Disable PWM0/1 output 1: P21 and P22 are PWM0 and PWM1	
2	PWM45_MODE	R/W	PWM4/5 output mode 0: PWM4 and PWM5 are in independent mode 1: PWM4 and PWM5 are in complementary mode	
1	PWM23_MODE	R/W	PWM2/3 output mode 0: PWM2 and PWM3 are in independent mode 1: PWM2 and PWM3 are in complementary mode	
0	PWM01_MODE	R/W	PWM0/1 output mode 0: PWM0 and PWM1 are in independent mode 1: PWM0 and PWM1 are in complementary mode	

Table 5-114 PWMCON2 register

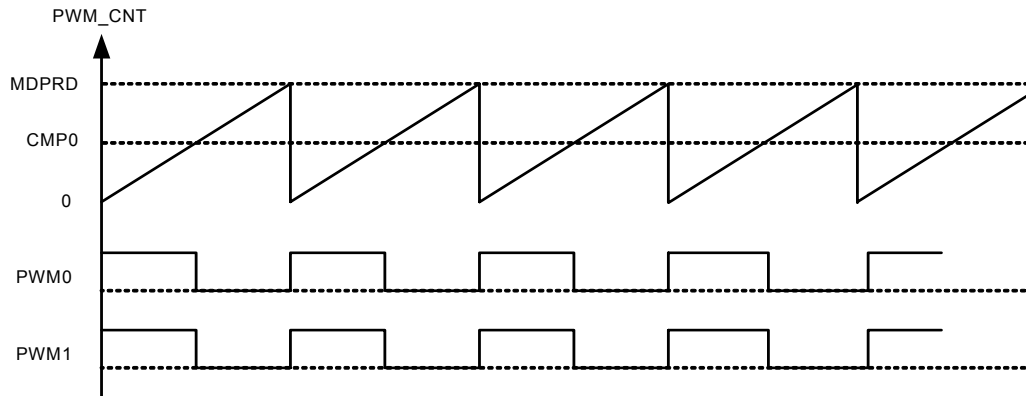


Figure 5-38 PWM output in independent mode, polarity =0

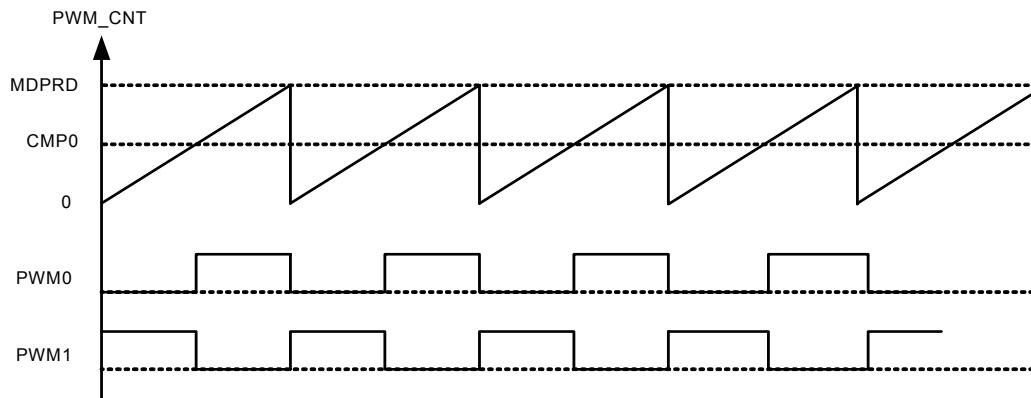
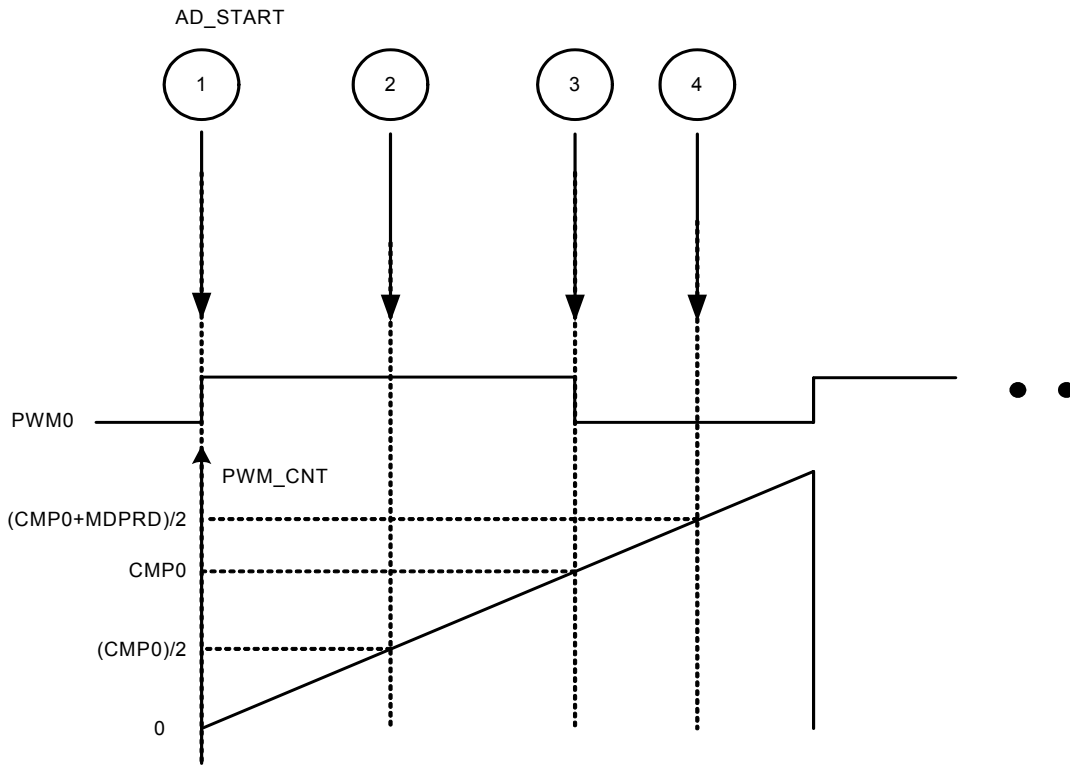


Figure 5-39 PWM output in complementary mode, polarity =0

ADCPWM			Address: 0xEE		ADCPWM Control Register			
Bit	7	6	5	4	3	2	1	0
Function	--	--	--	ADC_SYNC_SHIFT[2:0]			ADC_SYNC_MODE[1:0]	
Default	0	0	0	0	0	0	0	0

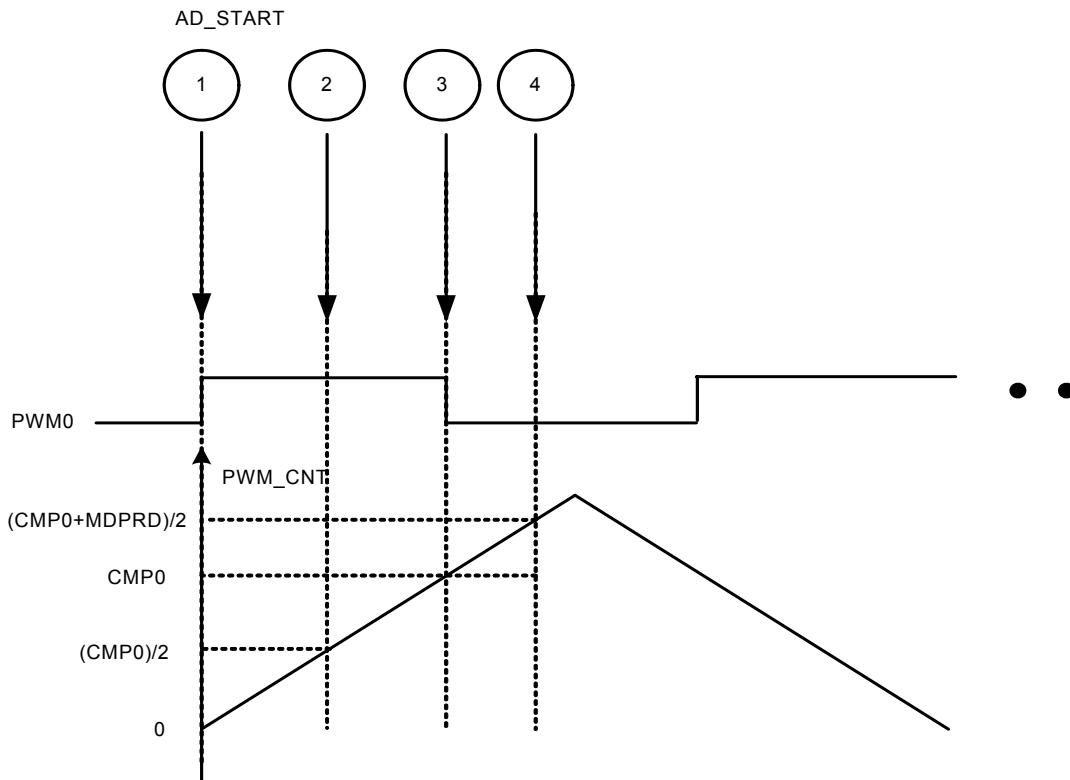
Bit	Function	Type	Description	Condition
7:5	--	R/W	Reserved	
4:2	ADC_SYNC_SHIFT[2:0]	R/W	ADC_SYNC PWM shift forward period	only in position 2
1:0	ADC_SYNC_MODE[1:0]	R/W	ADC sync PWM mode 0: ADC start to convention at position 1 1: ADC start to convention at position 2 2: ADC start to convention at position 3 3: ADC start to convention at position 4	

Table 5-115 PWMCON2 register



If PWMCON2[7]=1 , ADC sync mode

Figure 5-40 ADC sync to PWM mode, independent mode, polarity =0 (sawtooth wave PWM)



If PWMCON2[7]=1 , ADC sync mode

Figure 5-41 ADC sync to PWM mode, independent mode, polarity =0 (triangular wave PWM)

Besides independent mode and complementary mode, user can still control PWM polarity respectively by PWMCON9[5:0] register. In independent mode, If PWMOCN9[0] is set to '0', PWM0 outputs low when PWM counter equals to CMP0. On the contrary, PWM0 outputs high when PWM counter equals to CMP0 if PWMCON9[0] is set to '1'. In complementary mode, If

PWMOCN9[1:0] is set to '2'b00', PWM0 outputs high and PWM1 outputs low when PWM counter equals to CMP0. On the contrary, PWM0 outputs low and PWM1 outputs high when PWM counter equals to CMP0 if PWMCON9[1:0] is set to '2'b11'. Figure 5-42 and Figure 5-43 show the four modes of PWM0 and PWM1 for different PWMCON9[1:0] setting and different modes.

PWMCON9			Address: 0xA9		PWM Control Register 9			
Bit	7	6	5	4	3	2	1	0
Function	--	--	PWM5_POL	PWM4_POL	PWM3_POL	PWM2_POL	PWM1_POL	PWM0_POL
Default	0	0	0	0	0	0	0	0

Bit	Function	Type	Description	Condition
7:6	--	R/W	Reserved	
5	PWM5_POL	R/W	PWM5 polarity setting Independent mode: 0: PWM5 output low when PWM_cnt = CMP2 1: PWM5 output high when PWM_cnt = CMP2 Complementary mode: 0: PWM5 output low when PWM_cnt = CMP2 1: PWM5 output high when PWM_cnt = CMP2	
4	PWM4_POL	R/W	PWM4 polarity setting Independent mode: 0: PWM4 output low when PWM_cnt = CMP2 1: PWM4 output high when PWM_cnt = CMP2 Complementary mode: 0: PWM4 output high when PWM_cnt = CMP2 1: PWM4 output low when PWM_cnt = CMP2	
3	PWM3_POL	R/W	PWM3 polarity setting Independent mode: 0: PWM3 output low when PWM_cnt = CMP1 1: PWM3 output high when PWM_cnt = CMP1 Complementary mode: 0: PWM3 output low when PWM_cnt = CMP1 1: PWM3 output high when PWM_cnt = CMP1	
2	PWM2_POL	R/W	PWM2 polarity setting Independent mode: 0: PWM2 output low when PWM_cnt = CMP1 1: PWM2 output high when PWM_cnt = CMP1 Complementary mode: 0: PWM2 output high when PWM_cnt = CMP1 1: PWM2 output low when PWM_cnt = CMP1	
1	PWM1_POL	R/W	PWM1 polarity setting Independent mode: 0: PWM1 output low when PWM_cnt = CMP0 1: PWM1 output high when PWM_cnt = CMP0 Complementary mode:	

Bit	Function	Type	Description	Condition
			0: PWM1 output low when PWM_cnt = CMP0 1: PWM1 output high when PWM_cnt = CMP0	
0	PWM0_POL	R/W	PWM0 polarity setting Independent mode: 0: PWM0 output low when PWM_cnt = CMP0 1: PWM0 output high when PWM_cnt = CMP0 Complementary mode: 0: PWM0 output high when PWM_cnt = CMP0 1: PWM0 output low when PWM_cnt = CMP0	

Table 5-116 PWMCON9 register

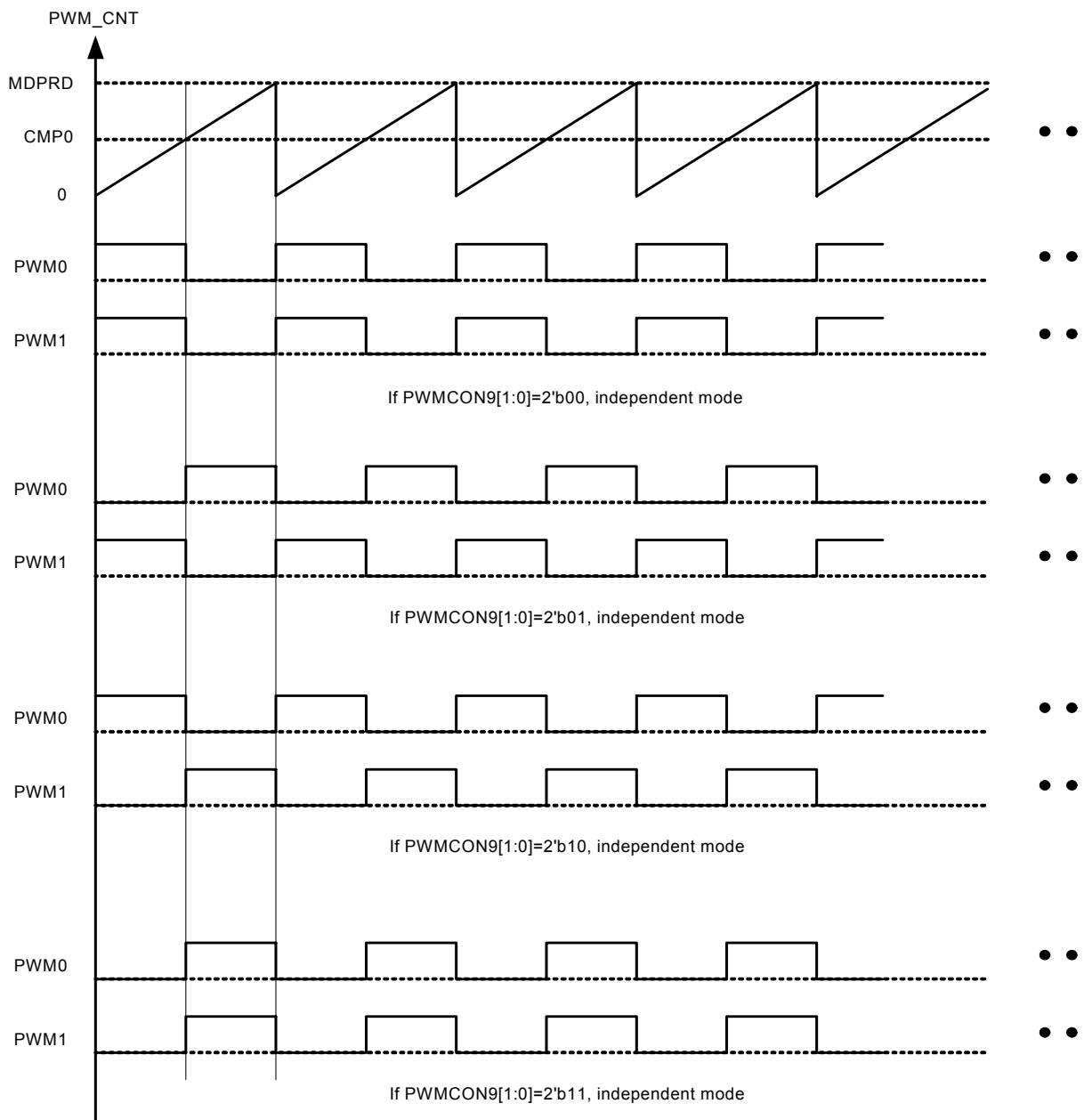


Figure 5-42 PWM output for different PWMCON9[1:0] setting under independent mode

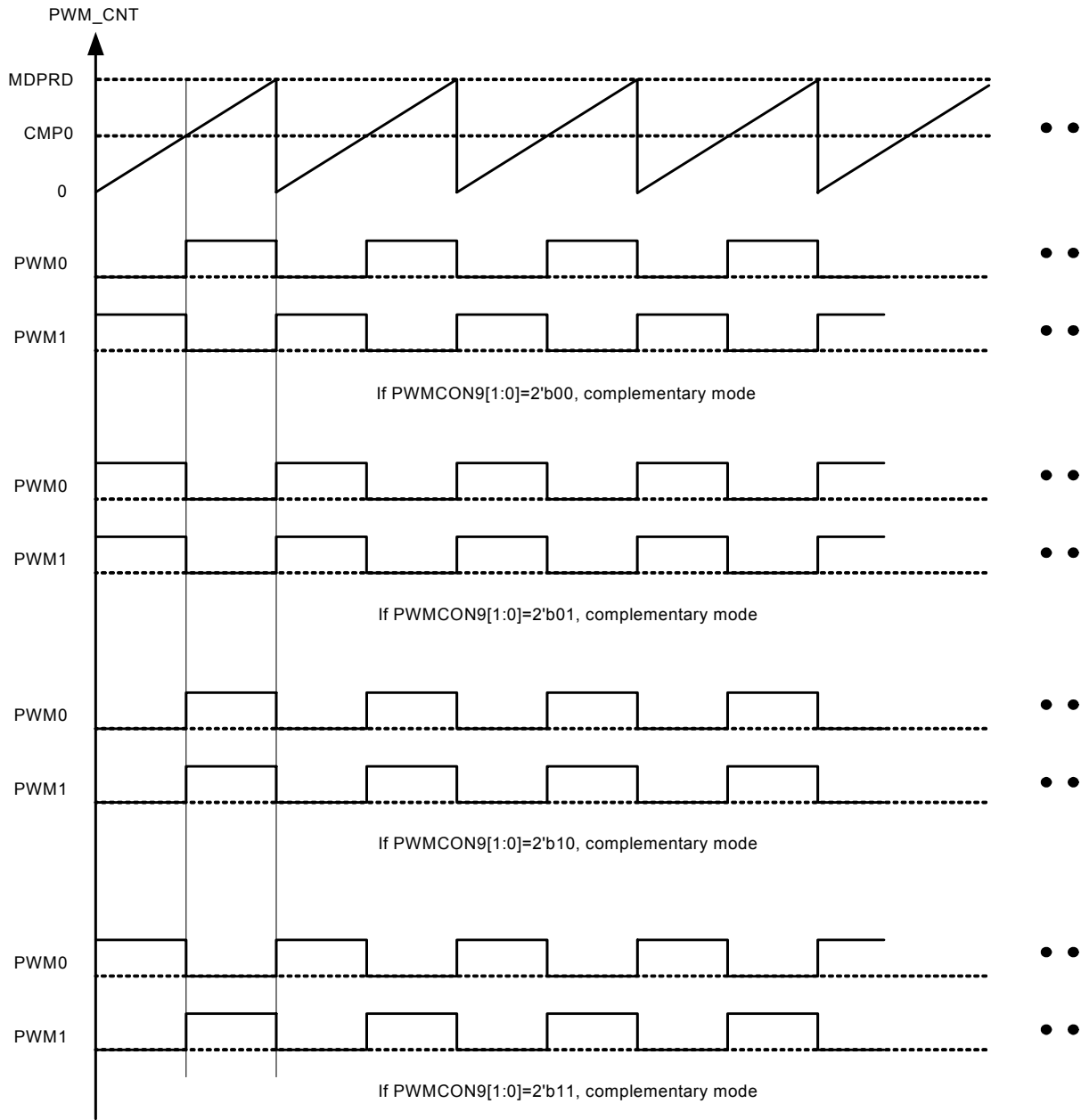


Figure 5-43 PWM output for different PWMCON9[1:0] setting under complementary mode

In PWMCON3 register, PWMCON3[7] controls if writing data to PWMCON3[5:0] register by software is synchronized to PWM counter. If this bit is set, writing to PWMCON3 register is succeeded when a complete PWM output is accomplished to avoid glitch of PWM output. PWMCON3[5:0] control the PWM

output condition respectively. If corresponding bit is set to '1', PWM output is controlled by PWM time base such. On the contrary, PWM output is controlled by the setting of PWMOVRD register. Figure 5-44 shows the diagram of PWM output for different PWMCON3[1:0] setting.

PWMCON3			Address: 0xDA		PWM Control Register 3			
Bit	7	6	5	4	3	2	1	0
Function	PWM_SYNC	--	PWM5_AUTO	PWM4_AUTO	PWM3_AUTO	PWM2_AUTO	PWM1_AUTO	PWM0_AUTO
Default	0	0	0	0	0	0	0	0

Bit	Function	Type	Description	Condition
7	PWM_SYNC	R/W	Synchronous PWM output mode 0: S/W Directly control PWM output 1: Sync S/W control to PWM output to avoid PWM glitch	
6	--	R/W	Reserved	
5:0	PWMx_AUTO (x=0~5)	R/W	PWM auto function mode 0: PWM output is controlled by PWMOVRD register 1: PWM output is controlled by PWM time base	

Table 5-117 PWMCON3 register

PWMOVRD			Address: 0xDB		PWM Output Override Register			
Bit	7	6	5	4	3	2	1	0
Function			PWM5_OVRD	PWM4_OVRD	PWM3_OVRD	PWM2_OVRD	PWM1_OVRD	PWM0_OVRD
Default	0	0	0	0	0	0	0	0

Bit	Function	Type	Description	Condition
5:0	PWMx_OVRD (x=0~5)	R/W	PWM override level 0: PWM output is forced to output low level 1: PWM output is forced to output high level	

Table 5-118 PWMOVRD register

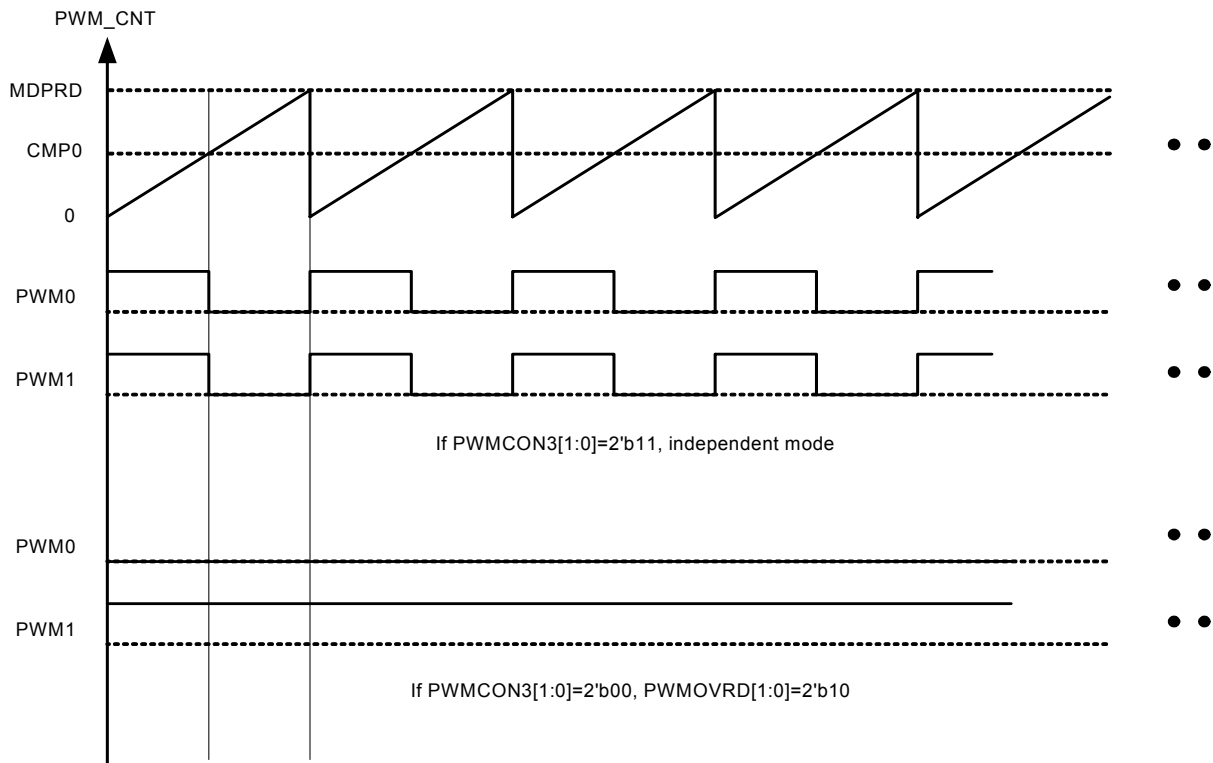


Figure 5-44 PWM output for different PWMCON3[1:0] setting

5.13.1. Hall Sensors Detection and Built-in Comparators Control

In PWMCON4 register, PWMCON4[7:5] latch the data of HU/HV/HW, the value of PWMCON4[7:5] equals to {HW, HV, HU}. User can read this register to know the condition of three phases of hall-sensors which shows the three positions of rotors. PWMCON4[3:0] is related to auto phase changing function. The

enable bit is setting by PWMCON1[6]. If ROTOR_STATUS[2:0] equals to MATCH_VALUE[2:0], MATCHF is set to '1' and the PWMCON3_BUF[5:0] and PWMOVRD_BUF[5:0] would copy to PWMCON3[5:0] and PWMOVRD[5:0] automatically.

PWMCON4			Address: 0xE1		PWM Control Register 4			
Bit	7	6	5	4	3	2	1	0
Function	ROTOR_STATUS[2:0]			--	MATCHF	MATCH_VALUE[2:0]		
Default	0	0	0	0	0	0	0	0

Bit	Function	Type	Description	Condition
7:5	ROTOR_STATUS[2:0]	R	ROTOR_STATUS[2:0] = {HW/HV/HU}	
4	--	R/W	Reserved	
3	MATCHF	R/W	Match flag when ROTOR_STATUS[2:0]= MATCH_VALUE[2:0], cleared by 1	
2:0	MATCH_VALUE[2:0]	R/W	Matching values in auto phase changing mode	

Table 5-119 PWMCON4 register

PWMCON1			Address: 0xB9		PWM Control Register 1			
Bit	7	6	5	4	3	2	1	0
Function	PWM_EN	MATCH_EN	TMR5EN	--	SYNC_RECT	TYPE	PWMCK_SEL[1:0]	
Default	0	0	0	0	0	0	0	0

Bit	Function	Type	Description	Condition
7	PWM_EN	R/W	Enable PWM function	
6	MATCH_EN	R/W	Auto phase changing function enable bit 0: Disable auto phase changing function 1: Enable auto phase changing function	
5	TMR5EN	R/W	Enable Timer 5	
4	--	R/W	Reserved	
3	SYNC_RECT	R/W	Enable synchronous function 0: PWM0~PWM5 output mode is decided by PWMCON2[2:0] 1: PWM0/2/4 are complementary to PWM1/3/5	
2	TYPE	R/W	0: edge-aligned (sawtooth wave PWM) 1: center aligned (triangular wave PWM)	
1:0	PWMCK_SEL[1:0]	R/W	PWM clock divider 00: SYSCLK 01: SYSCLK/2 10: SYSCLK/4 11: SYSCLK/8	

Table 5-120 PWMCON1 register

PWMCON3_BUF			Address: 0xDC		PWMCON3 Buffer Register			
Bit	7	6	5	4	3	2	1	0
Function	PWMCON3_BUF[5:0]							
Default	0	0	0	0	0	0	0	0

Table 5-121 PWMCON3_BUF register

PWMOVRD_BUF			Address: 0xEA		PWMOVRD Buffer Register			
Bit	7	6	5	4	3	2	1	0
Function	PWMOVRD_BUF[5:0]							
Default	0	0	0	0	0	0	0	0

Table 5-122 PWMOVRD_BUF register

PWMCON6[1:0] and SYSCON1[6] choose which of three inputs are used as hall-sensors. They can come from GPIOs or three built-in comparator outputs. PWMCON6[7:5] can switch the hall-sensor signals and PWMCON6[4:2] can even inverse the hall-sensors. Figure 5-45 shows the overall diagram of HU/HV/HW for each case.

PWMCON6			Address: 0xD7		PWM Control Register 6			
Bit	7	6	5	4	3	2	1	0
Function	HS_SWITCH[2:0]		HW_INV	HV_INV	HU_INV	CAP_SEL	HS_SEL	
Default	0	0	0	0	0	0	0	0

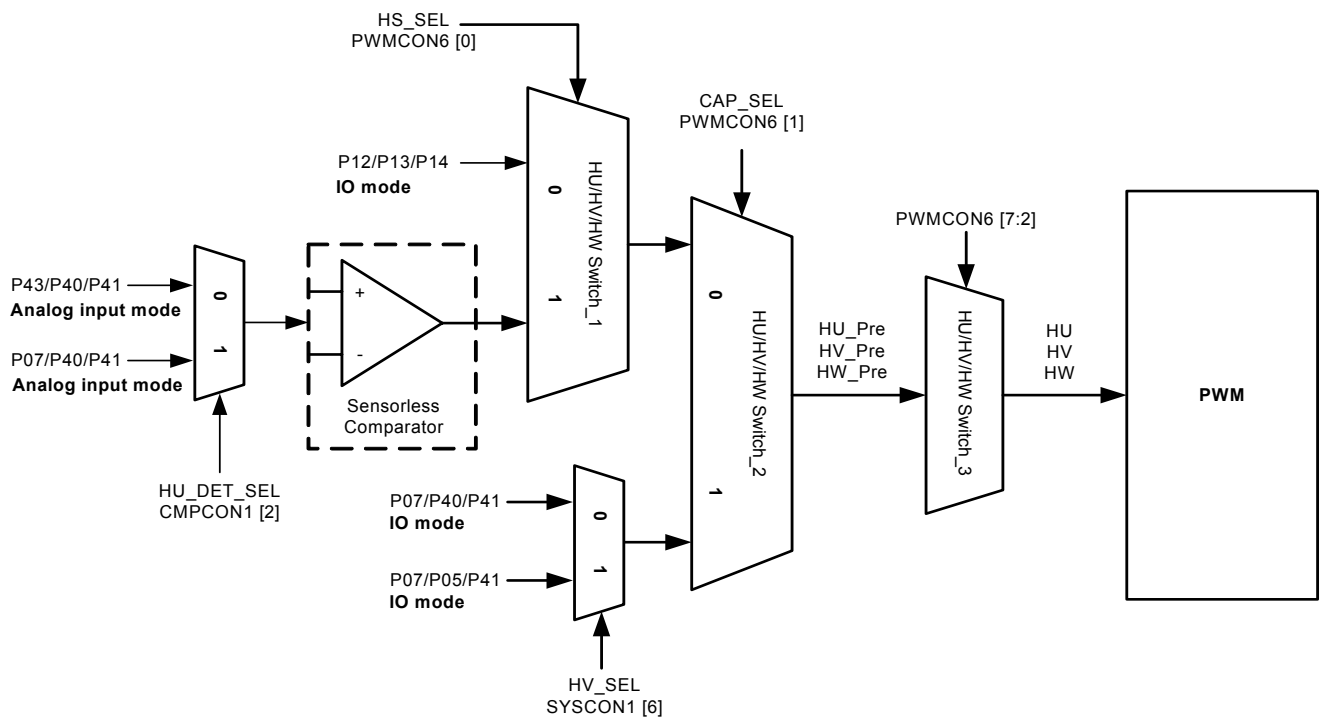
Bit	Function	Type	Description	Condition			
7:5	HS_SWITCH[2:0]	R/W	PWMCON6[7:5]	HU_pre_o	HV_pre_o	HW_pre_o	
			0	HU_pre	HV_pre	HW_pre	
			1	HU_pre	HW_pre	HV_pre	
			2	HV_pre	HU_pre	HW_pre	
			3	HV_pre	HW_pre	HU_pre	
			4	HW_pre	HU_pre	HV_pre	
			5	HW_pre	HV_pre	HU_pre	
			6	HU_pre	HV_pre	HW_pre	
7	HU_pre	HV_pre	HW_pre				
4	HW_INV	R/W	HW inverse control bit 0: HW=HW_pre_o 1: HW=~HW_pre_o				
3	HV_INV	R/W	HV inverse control bit 0: HV=HV_pre_o 1: HV=~HV_pre_o				
2	HU_INV	R/W	HU inverse control bit 0: HU=HU_pre_o 1: HU=~HU_pre_o				
1	CAP_SEL	R/W	Hall-sensors switch bit				
0	HS_SEL	R/W	0: P12/P13/P14 are used as hall-sensors 1: Built-in comparator output are used as hall-sensors				

Table 5-123 PWMCON6 register

SYSICON1			Address: 0xAF		SYSTEM Control1 Register			
Bit	7	6	5	4	3	2	1	0
Function	T2CLK_SW	HV_SEL	SPI1_EN	SPI0_EN	--	--	--	--
Default	0	0	0	0	0	0	1	1
Key Code	FF,00							

Bit	Function	Type	Description	Condition
7	T2CLK_SW	R/W	Timer 2 timer function input frequency switch 0: SYSCCLK/12 (T2PS=0) or SYSCCLK/24 (T2PS=1) 1: SYSCCLK/1 (T2PS=0) or SYSCCLK/2 (T2PS=1)	
6	HV_SEL	R/W	0: P07/P40/P41 are used as hall-sensors 1: P07/P05/P41 are used as hall-sensors	
5	SPI1_EN	R/W	SPI signals forward to P3[6:4] enable P3[4]: SPI_CLK P3[5]: SPI_TX P3[6]: SPI_RX	
4	SPI0_EN	R/W	SPI signals forward to P0[7:4] enable P0[4]: SPI_CSB P0[5]: SPI_CLK P0[6]: SPI_TX P0[7]: SPI_RX	
3:0	--	R/W	Reserved	

Table 5-124 SYSICON1 register



HU/HV/HW Switch3:

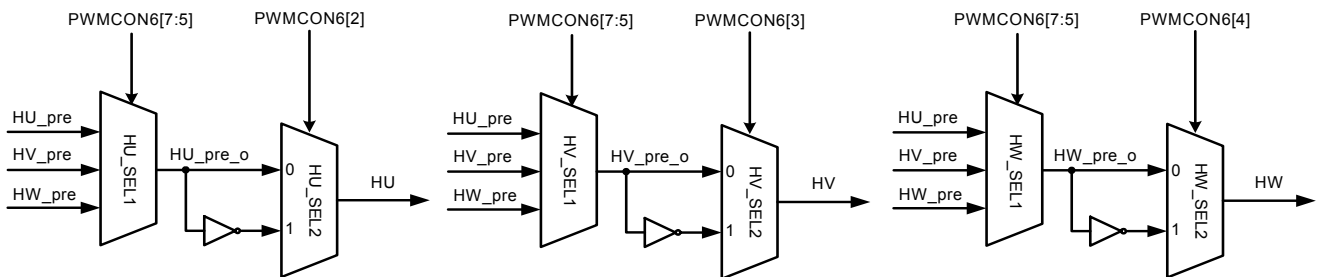


Figure 5-45 HU/HV/HW input diagrams

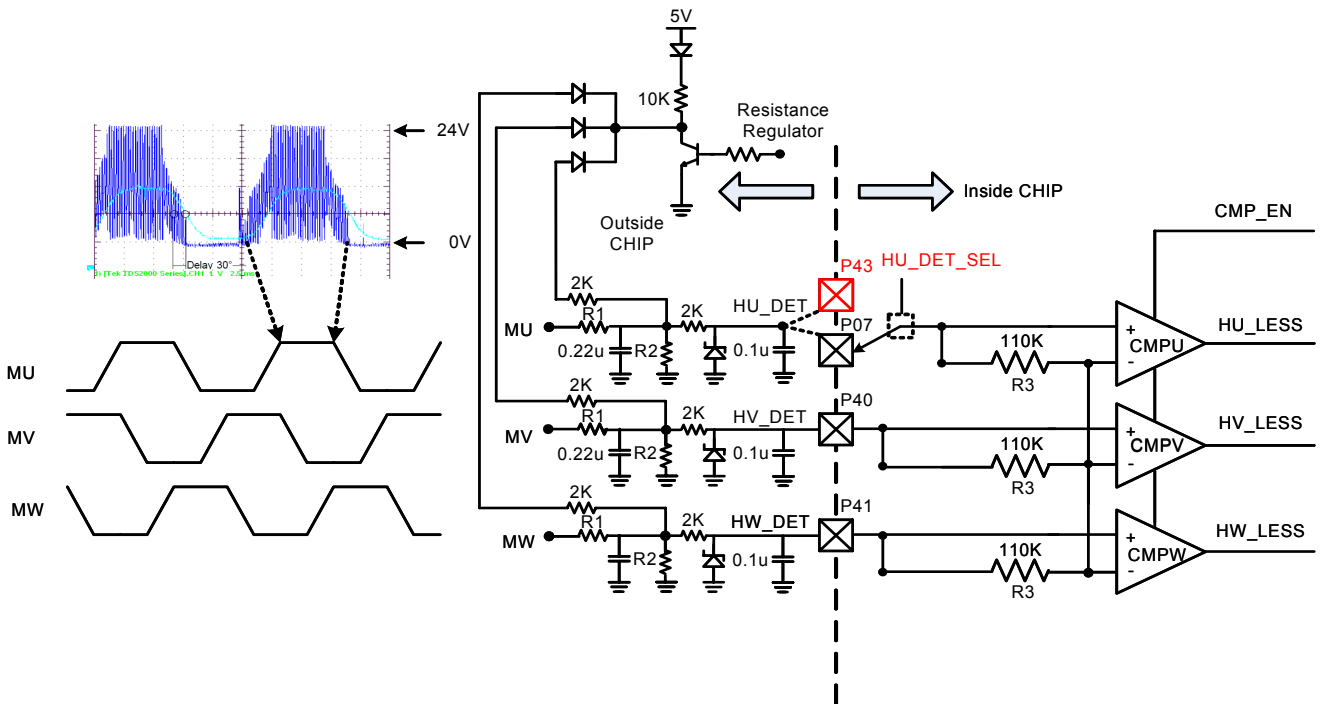
For cost consideration or possible damage of hall sensors, sensorless motor are developed. In GPM8F3132A/3116A, built-in three comparators are used to replace hall sensors to

provide the position of the rotors and the related control registers are CMPCON1. Figure 5-46 shows the diagram of built-in three comparators.

CMPCON1			Address: 0xAA		Comparator Control Register 1			
Bit	7	6	5	4	3	2	1	0
Function	--	--	--	P41_AEN	P40_AEN	HU_DET_SEL	SCHMIT_EN	CMP_EN
Default	0	0	0	0	0	1	0	0

Bit	Function	Type	Description	Condition
7:5	--	R/W	Reserved	
4	P41_AEN	R/W	P41 analog PAD enable control bit 0: P41 can be I/O PAD 1: P41 can be analog PAD	
3	P40_AEN	R/W	P40 analog PAD enable control bit 0: P40 can be I/O PAD 1: P40 can be analog PAD	
2	HU_DET_SEL	R/W	HU_DET pad select control bit 0: P43 is used as HU_DET pad 1: P07 is used as HU_DET pad	
1	SCHMIT_EN	R/W	0: Disable schmitt window 1: Enable schmitt window (30mV)	
0	CMP_EN	R/W	Enable three comparators to produce sensorless signals	

Table 5-125 CMPCON1 register



Note: 1. $R1 < R3/(5-7)$, $R3=110K$ or $160K$
 2. $24V * R2 / (R1 + R2) < 4V$
 3. CMPU/V/W schmitt-window = 0V @SCHMIT_EN=0 (default)
 schmitt-window = 30mV @SCHMIT_EN=1

Figure 5-46 Built-in three comparators

5.13.2. Protective Circuits

In GPM8F3132A/3116A/3108A, there is a protective circuit for over-current protective circuit. The related control register are in PWMCON5[0] as tabled in Table 5-126. PWMCON5[0] is the enable bit of protection of over-current. If PWMCON5[0] is set to '1', PWM output will be disabled while the input of OC(P15 or CMPOC output) is low. Meanwhile, the related flag(OCF) is set to '1' (falling edge active). When the OC is keep in low state, it is useless to enable PWM output(PWMCON2[5:3]) and PWM function(PWMCON1[7]) by software. In addition to this, for

protecting power switches against burnout, MOS protect function is also achieved in this chip. User can turn on the protect function by PWMCON8[0] and choose different protection ways by PWMCON8[2:1]. For measuring the current of power switches, additional OP and comparator are also included, and the related control registers are CMPCON2. If P0[6:2] are needed to be analog pad, ADAEN must be set first to enable analog pad function. Figure 5-47 shows the diagram of built-in OP and comparators.

PWMCON5				Address: 0xCF		PWM Control Register 5			
Bit	7	6	5	4	3	2	1	0	
Function	OC_FILTER_SEL	TIMER5_CKSEL[2:0]			PERIOD_TRIG_MD[1:0]		--	OC_EN	
Default	0	0	0	0	0	0	0	0	

Bit	Function	Type	Description	Condition
7	OC_FILTER_SEL	R/W	Over-current pad filter selection 0: 4us filter 1: 0.4us filter	
6:4	TIMER5_CKSEL[2:0]	R/W	Timer 5 clock select bits 000: SYSCLK /8 001: SYSCLK /16 010: SYSCLK /32	

Bit	Function	Type	Description	Condition
			011: SYSCLK /64 100: SYSCLK /128 101: SYSCLK /256 110: SYSCLK /512 111: SYSCLK /1024	
3:2	PERIOD_TRIG_MD[1:0]	R/W	PWM period triggered mode 00: every 1 PWM period trigger 01: every 2 PWM periods trigger 10: every 4 PWM periods trigger 11: every 8 PWM periods trigger	
1	--	R/W	Reserved	
0	OC_EN	R/W	Enable over-current protection	

Table 5-126 PWMCON5 register

PWMCON8		Address: 0xB5			PWM Control Register 8			
Bit	7	6	5	4	3	2	1	0
Function	SIN_LOSE_LEVEL[3:0]			--	MOS_PRO_SEL[1:0]		MOS_PRO_EN	
Default	0	0	0	0	0	0	0	0

Bit	Function	Type	Description	Condition
7:4	SIN_LOSE_LEVEL[3:0]	R/W	0: 7'h07 1: 7'h0F 2: 7'h17 3: 7'h1F 4: 7'h27 5: 7'h2F 6: 7'h37 7: 7'h3F 8: 7'h47 9: 7'h4F 10: 7'h57 11: 7'h5F 12: 7'h67 13: 7'h6F 14: 7'h77 15: 7'h7F	
3	--	R/W	Reserved	
2:1	MOS_PRO_SEL[1:0]	R/W	Power MOS protection mode selection 00: disable PWM output if PWM0/PWM2/PWM4 and PWM1/PWM3/PWM5 output low 01: disable PWM output if PWM0/PWM2/PWM4 output high and PWM1/PWM3/PWM5 output low 10: disable PWM output if PWM0/PWM2/PWM4 output low and PWM1/PWM3/PWM5 output high 11: disable PWM output if PWM0/PWM2/PWM4 and PWM1/PWM3/PWM5 output high	

Bit	Function	Type	Description	Condition
0	MOS_PRO_EN	R/W	Enable power MOS protect function	

Table 5-127 PWMCON8 register

CMPCON2			Address: 0xAB		Comparator Control Register 2			
Bit	7	6	5	4	3	2	1	0
Function	--	--	OC_status	TRIM_VOSP	TRIM_VOSN	OC_SEL	CMPOC_EN	OP_EN
Default	0	0	0	0	0	0	0	0

Bit	Function	Type	Description	Condition
7:6	--	R/W	Reserved	
5	OC_status	R/W	OC status	
4	TRIM_VOSP	R/W	Trimming bit for OP offset (V+)	
3	TRIM_VOSN	R/W	Trimming bit for OP offset (V-)	
2	OC_SEL	R/W	0: OC is come from built-in CMPOC output 1: OC is come from P15	
1	CMPOC_EN	R/W	Enable CMPOC function for current measuring	
0	OP_EN	R/W	Enable OP function	

Table 5-128 CMPCON2 register

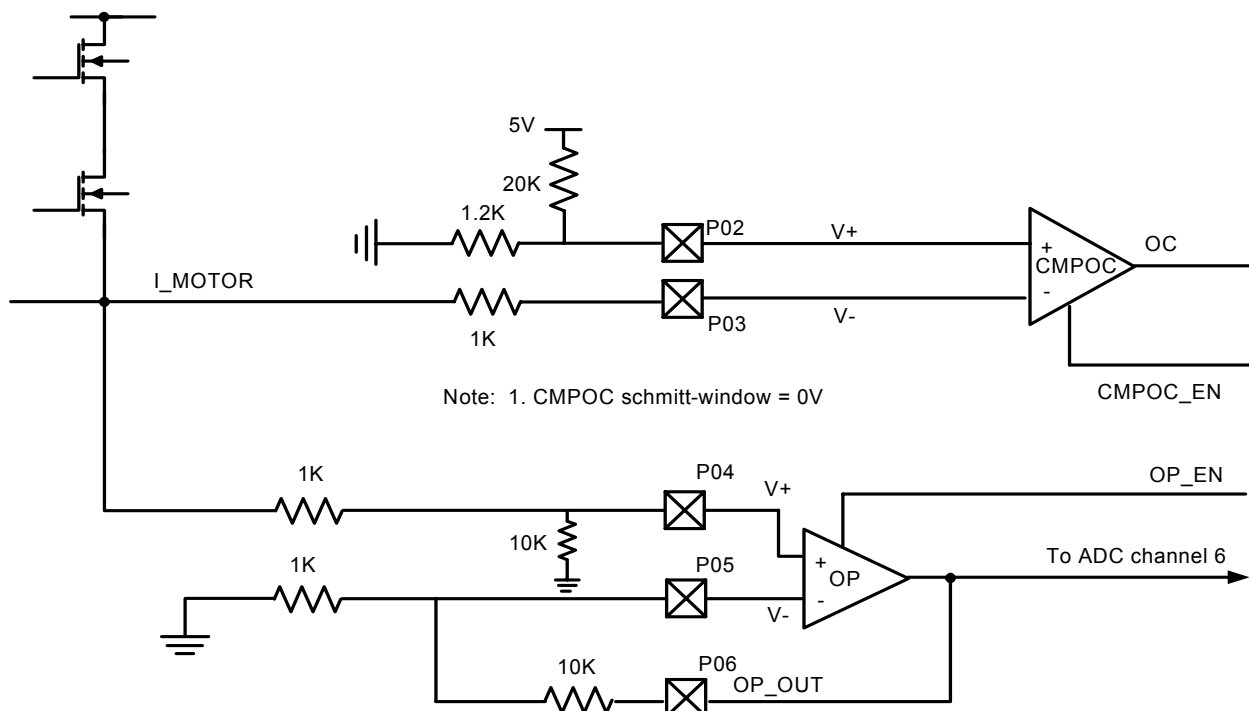


Figure 5-47 Built-in OP and comparator

5.13.3. 16-bit Capture Unit Control

Besides PWM output, there is a TIMER 5 for counting periods of HU/HV/HW signals. PWMCON1[5] is set to '1' to enable TIMER 5 function and the counting frequency is controlled by PWMCON5[6:4]. CAP0CON, CAP1CON and CAP2CON register control the capture modes of HU/HV/HW respectively. In CAPnCON register, CAPnCON[1:0] determine the condition of capture. If CAPnCON[1:0] is set to '00', capture function is turned off. If CAPnCON[1:0] is set to '01', capture occurs at

every falling edge of capture signal. If CAPnCON[1:0] is set to '10', capture occurs at every rising edge of capture signal. If CAPnCON[1:0] is set to '11', capture occurs at every falling and rising edge of capture signal. At each capture, the current 16-bit value of TIMER5 is latched to CAPnBUF register. As to CAPnCON[3], it controls whether TIMER5 is reset for every capture. Figure 5-48 and Figure 5-49 show the diagram of capture function for different CAPnCON setting.

PWMCON1			Address: 0xB9		PWM Control Register 1			
Bit	7	6	5	4	3	2	1	0
Function	PWM_EN	MATCH_EN	TMR5EN	--	SYNC_RECT	TYPE	PWMCK_SEL[1:0]	
Default	0	0	0	0	0	0	0	0

Bit	Function	Type	Description	Condition
7	PWM_EN	R/W	Enable PWM function	
6	MATCH_EN	R/W	Auto phase changing function enable bit 0: Disable auto phase changing function 1: Enable auto phase changing function	
5	TMR5EN	R/W	Enable Timer 5	
4	--	R/W	Reserved	
3	SYNC_RECT	R/W	Enable synchronous function 0: PWM0~PWM5 output mode is decided by PWMCON2[2:0] 1: PWM0/2/4 are complementary to PWM1/3/5	
2	TYPE	R/W	0: edge-aligned (sawtooth wave PWM) 1: center aligned (triangular wave PWM)	
1:0	PWMCK_SEL[1:0]	R/W	PWM clock divider 00: SYSCLK 01: SYSCLK/2 10: SYSCLK/4 11: SYSCLK/8	

Table 5-129 PWMCON1 register

PWMCON5			Address: 0xCF		PWM Control Register 5			
Bit	7	6	5	4	3	2	1	0
Function	OC_FILTER_SEL	TIMER5_CKSEL[2:0]			PERIOD_TRIG_MD[1:0]		--	OC_EN
Default	0	0	0	0	0	0	0	0

Bit	Function	Type	Description	Condition
7	OC_FILTER_SEL	R/W	Over-current pad filter selection 0: 4us filter 1: 0.4us filter	
6:4	TIMER5_CKSEL[2:0]	R/W	Timer 5 clock select bits 000: SYSCLK /8 001: SYSCLK /16	

Bit	Function	Type	Description	Condition
			010: SYSCLK /32 011: SYSCLK /64 100: SYSCLK /128 101: SYSCLK /256 110: SYSCLK /512 111: SYSCLK /1024	
3:2	PERIOD_TRIG_MD[1:0]	R/W	PWM period triggered mode 00: every 1 PWM period trigger 01: every 2 PWM periods trigger 10: every 4 PWM periods trigger 11: every 8 PWM periods trigger	
1	--	R/W	Reserved	
0	OC_EN	R/W	Enable over-current protection	

Table 5-130 PWMCON5 register

CAP0CON			Address: 0xDD		PWM CAP0 Control Register			
Bit	7	6	5	4	3	2	1	0
Function	--	--	--	TF5	CAP0_TMR5_RST	--	CAP0_MODE[1:0]	
Default	0	0	0	0	0	0	0	0

Bit	Function	Type	Description	Condition
7:5	--	R/W	Reserved	
4	TF5	R/W	Timer 5 overflow flag	
3	CAP0_TMR5_RST	R/W	1: Timer 5 will be reset while CAPTURE0 is triggered	
1:0	CAP0_MODE[1:0]	R/W	00: CAPTURE0 is off 01: CAPTURE0 captures at every falling edge 10: CAPTURE0 captures at every rising edge 11: CAPTURE0 captures at every state change	

Table 5-131 CAP0CON register

CAP1CON			Address: 0xDE		PWM CAP1 Control Register			
Bit	7	6	5	4	3	2	1	0
Function	--	--	--	--	CAP1_TMR5_RST	--	CAP1_MODE[1:0]	
Default	0	0	0	0	0	0	0	0

Bit	Function	Type	Description	Condition
7:4	--	R/W	Reserved	
3	CAP1_TMR5_RST	R/W	1: Timer 5 will be reset while CAPTURE1 is triggered	
1:0	CAP1_MODE[1:0]	R/W	00: CAPTURE1 is off 01: CAPTURE1 captures at every falling edge 10: CAPTURE1 captures at every rising edge 11: CAPTURE1 captures at every state change	

Table 5-132 CAP1CON register

CAP2CON			Address: 0xDF		PWM CAP2 Control Register			
Bit	7	6	5	4	3	2	1	0
Function	--	--	--	--	CAP2_TMR5_RST	--	CAP2_MODE[1:0]	
Default	0	0	0	0	0	0	0	0

Bit	Function	Type	Description	Condition
7:4	--	R/W	Reserved	
3	CAP2_TMR5_RST	R/W	1: Timer 5 will be reset while CAPTURE2 is triggered	
1:0	CAP2_MODE[1:0]	R/W	00: CAPTURE 2 is off 01: CAPTURE 2 captures at every falling edge 10: CAPTURE 2 captures at every rising edge 11: CAPTURE 2 captures at every state change	

Table 5-133 CAP2CON register

CAP0BUFH			Address: 0xE3		MSB of PWM Capture0 Buffer			
Bit	7	6	5	4	3	2	1	0
Function	CAP0BUF[15:8]							
Default	0	0	0	0	0	0	1	0

CAP0BUFL			Address: 0xE2		LSB of PWM Capture0 Buffer			
Bit	7	6	5	4	3	2	1	0
Function	CAP0BUF[7:0]							
Default	1	0	0	1	1	1	0	0

Table 5-134 CAP0BUF register

CAP1BUFH			Address: 0xE5		MSB of PWM Capture1 Buffer			
Bit	7	6	5	4	3	2	1	0
Function	CAP1BUF[15:8]							
Default	0	0	0	0	0	0	1	0

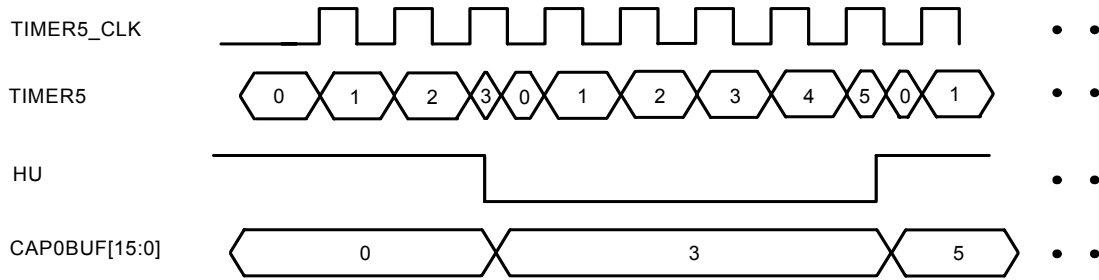
CAP1BUFL			Address: 0xE4		LSB of PWM Capture1 Buffer			
Bit	7	6	5	4	3	2	1	0
Function	CAP1BUF[7:0]							
Default	1	0	0	1	1	1	0	0

Table 5-135 CAP1BUF register

CAP2BUFH			Address: 0xE7		MSB of PWM Capture2 Buffer			
Bit	7	6	5	4	3	2	1	0
Function	CAP2BUF[15:8]							
Default	0	0	0	0	0	0	1	0

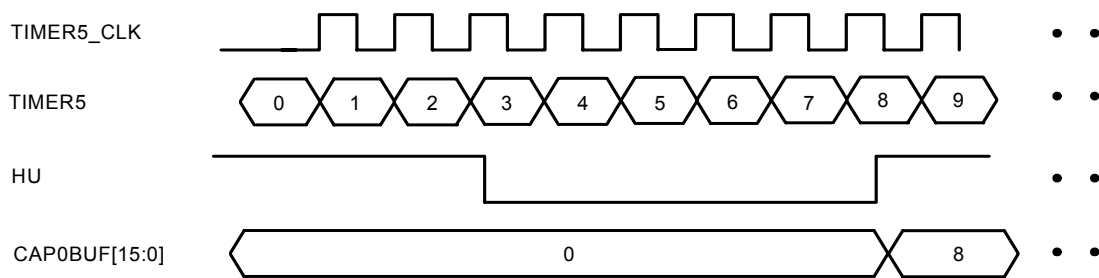
CAP2BUFL			Address: 0xE6		LSB of PWM Capture2 Buffer			
Bit	7	6	5	4	3	2	1	0
Function	CAP2BUF[7:0]							
Default	1	0	0	1	1	1	0	0

Table 5-136 CAP2BUF register



If CAP0CON[1:0]=2'b11, CAP0CON[3]=1

Figure 5-48 The diagram of capture function if CAP0CON[1:0]=2'b11 and CAP0CON[3]=1



If CAP0CON[1:0]=2'b10, CAP0CON[3]=0

Figure 5-49 The diagram of capture function if CAP0CON[1:0]=2'b10 and CAP0CON[3]=0

5.13.4. Interrupt Sources

In GPM8F3132A/3116A/3108A, there are seven types for interrupt sources for PWM module. Each interrupt source can be individually enabled or disabled by setting or cleaning a corresponding bit in PWMIE register. If PWM interrupt is occurred, PWMIF register can be monitored to see which interrupt source is produced except MATCHF and the PWM flag is need to be cleared by software. OCF is set to be '1' if protect function is enabled and corresponding OC is low. CAP0F~CAP2F are set to be '1' if capture function is occurred. In PWMCON5, PWMCON5[3:2] controls the mode of period interrupt of PWMIE[5] and PWMIF[5], and the related flag is PERIODF. If PWMCON5[3:2] is set to 2'b00, period interrupt will occur while

each PWM period is completed. If PWMCON5[3:2] is set to 2'b01, period interrupt will occur while every two PWM period is completed. If PWMCON5[3:2] is set to 2'b10, period interrupt will occur while every four PWM period is completed. If PWMCON5[3:2] is set to 2'b11, period interrupt will occur while every eight PWM period is completed. HS_CHGF is set to be '1' if Hall-sensor changes. MATCHF (shown by PWMCON4[3]) is set to be '1' if ROTOR_STATUS[2:0]= MATCH_VALUE[2:0] while MATCH function is enabled. Figure 5-50 and Figure 5-51 show the diagram of period interrupt for different PWMCON5[3:2] and PWMCON1[2] setting.

PWMIF			Address: 0xB1		PWM Interrupt Flag Register			
Bit	7	6	5	4	3	2	1	0
Function	--	HS_CHGF	PERIODF	CAP2F	CAP1F	CAP0F	--	OCF
Default	0	0	0	0	0	0	0	0

Bit	Function	Type	Description	Condition
7	--	R/W	Reserved	
6	HS_CHGF	R/W	HS change interrupt flag, cleared by 1	
5	PERIODF	R/W	PWM period interrupt flag, cleared by 1	

Bit	Function	Type	Description	Condition
4	CAP2F	R/W	CAPTURE2 pad interrupt flag, cleared by 1	
3	CAP1F	R/W	CAPTURE 1 pad interrupt flag, cleared by 1	
2	CAP0F	R/W	CAPTURE 0 pad interrupt flag, cleared by 1	
1	--	R/W	Reserved	
0	OCF	R/W	Over-current interrupt flag, cleared by 1	

Table 5-137 PWMIF register

PWMIE			Address: 0xB2		PWM Interrupt enable Register			
Bit	7	6	5	4	3	2	1	0
Function	MATCHIE	HS_CHGIE	PERIODIE	CAP2IE	CAP1IE	CAP0IE	--	OCIE
Default	0	0	0	0	0	0	0	0

Bit	Function	Type	Description	Condition
7	MATCHIE	R/W	Enable MATCH interrupt	
6	HS_CHGIE	R/W	Enable Hall-sensor changes interrupt	
5	PERIODIE	R/W	Enable PWM period interrupt	
4	CAP2IE	R/W	Enable CAPTURE 2 pad interrupt	
3	CAP1IE	R/W	Enable CAPTURE 1 pad interrupt	
2	CAP0IE	R/W	Enable CAPTURE 0 pad interrupt	
1	--	R/W	Reserved	
0	OCIE	R/W	Enable over-current interrupt	

Table 5-138 PWMIE register

PWMCON5		Address: 0xCF			PWM Control Register 5			
Bit	7	6	5	4	3	2	1	0
Function	OC_FILTER_SEL	TIMER5_CKSEL[2:0]			PERIOD_TRIG_MD[1:0]		--	OC_EN
Default	0	0	0	0	0	0	0	0

Bit	Function	Type	Description	Condition
7	OC_FILTER_SEL	R/W	Over-current pad filter selection 0: 4us filter 1: 0.4us filter	
6:4	TIMER5_CKSEL[2:0]	R/W	Timer 5 clock select bits 000: SYSCLK /8 001: SYSCLK /16 010: SYSCLK /32 011: SYSCLK /64 100: SYSCLK /128 101: SYSCLK /256 110: SYSCLK /512 111: SYSCLK /1024	
3:2	PERIOD_TRIG_MD[1:0]	R/W	PWM period triggered mode 00: every 1 PWM period trigger 01: every 2 PWM periods trigger 10: every 4 PWM periods trigger	

Bit	Function	Type	Description	Condition
			11: every 8 PWM periods trigger	
1	--	R/W	Reserved	
0	OC_EN	R/W	Enable over-current protection	

Table 5-139 PWMCON5 register

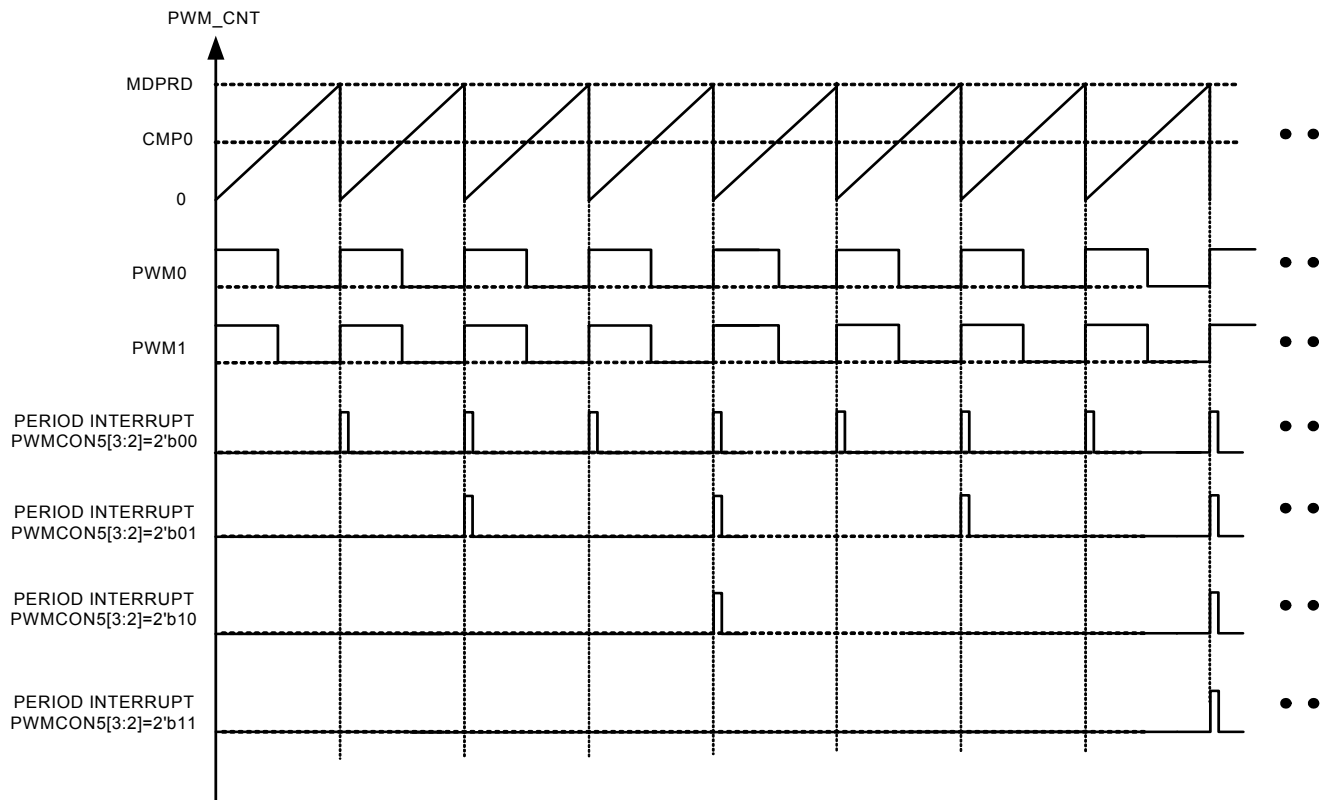


Figure 5-50 The diagram of period interrupt for different PWMCON5[3:2] setting(sawtooth wave PWM)

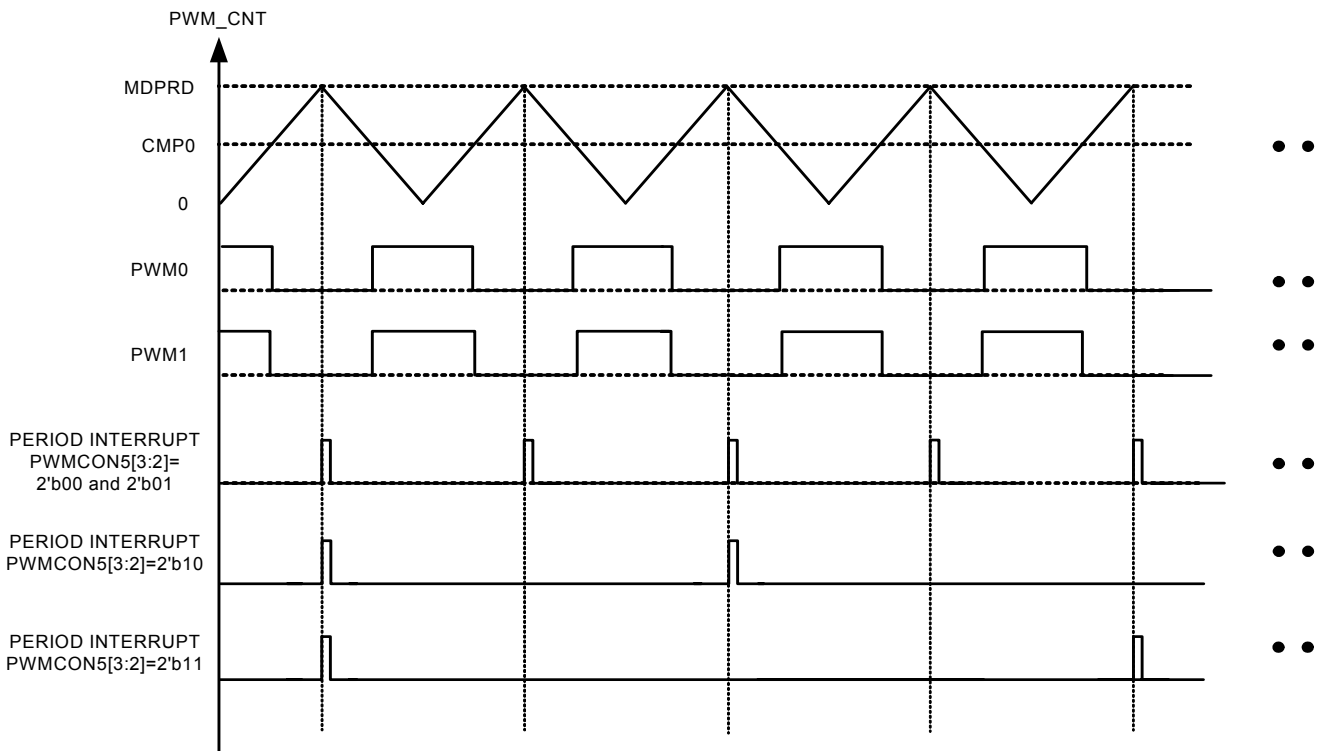


Figure 5-51 The diagram of period interrupt for different PWMCON5[3:2] setting (triangular wave PWM)

5.13.5. Sine-wave PWM control (only in GPM8F3132A)

In addition to traditional PWM output for trapezoid waveform, PWM output for sinusoidal waveform is also realized in this chip. The related control registers are PWMSINCON, ADDR_OFFSET[15:0] and PWMCON8[7:4], which are described as below. PWMSINCON[2] and PWMSINCON[3] control the start

position of hall U and motor rotate direction. If PWMSINCON[2] is set to '1', rising of Hall U is the start position, otherwise, falling of Hall U is the start position. If PWMSINCON[3] is set to '1' motor rotate direction is reverse, otherwise, rotate direction is forward.

PWMSINCON			Address: 0xBD		PWMSIN Control Register			
Bit	7	6	5	4	3	2	1	0
Function	SFR_ANG_EN	--	--	--	PHASE_DIRECT	HALL_SATRT	FLOAT_DIS	SIN_EN
Default	0	0	0	0	0	0	0	0

Bit	Function	Type	Description	Condition
7	SFR_ANG_EN	R/W	Angle address readable enable bit 0: NA 1: ANGLE_ADDRESS[8:0]= ADDR_OFFSET[15:7] LOSE_ADDR[6:0] = ADDR_OFFSET[6:0]	
6:4	--	R/W	Reserved	
3	PHASE_DIRECT	R/W	Motor rotate direction 0: Forward 1: Reverse	
2	HALL_SATRT	R/W	Hall U start position 0: Falling 1: Rising	
1	FLOAT_DIS	R/W	PWM output control while angle address equals to 512	

Bit	Function	Type	Description	Condition
0	SIN_EN	R/W	0: PWMs keep on output 1: PWMs output low Enable sin wave function	

Table 5-140 PWMSINCON register

ADDR_OFFSETH		Address: 0xBF			ADDR_OFFSETH Register			
Bit	7	6	5	4	3	2	1	0
Function	ADDR_OFFSET[15:8]							
Default	0	0	0	0	0	0	0	0

ADDR_OFFSETL		Address: 0xBE			ADDR_OFFSETL Register			
Bit	7	6	5	4	3	2	1	0
Function	ADDR_OFFSET[7:0]							
Default	0	0	0	0	0	0	0	0

Table 5-141 ADDR_OFFSET register

PWMCON8		Address: 0xB5			PWM Control Register 8			
Bit	7	6	5	4	3	2	1	0
Function	SIN_LOSE_LEVEL[3:0]				--	MOS_PRO_SEL[1:0]		MOS_PRO_EN
Default	0	0	0	0	0	0	0	0

Bit	Function	Type	Description	Condition
7:4	SIN_LOSE_LEVEL[3:0]	R/W	0: 7'h07 1: 7'h0F 2: 7'h17 3: 7'h1F 4: 7'h27 5: 7'h2F 6: 7'h37 7: 7'h3F 8: 7'h47 9: 7'h4F 10: 7'h57 11: 7'h5F 12: 7'h67 13: 7'h6F 14: 7'h77 15: 7'h7F	
3	--	R/W	Reserved	
2:1	MOS_PRO_SEL[1:0]	R/W	Power MOS protection mode selection 00: disable PWM output if PWM0/PWM2/PWM4 and PWM1/PWM3/PWM5 output low 01: disable PWM output if PWM0/PWM2/PWM4 output high and PWM1/PWM3/PWM5 output low 10: disable PWM output if PWM0/PWM2/PWM4 output low and PWM1/PWM3/PWM5 output high	

Bit	Function	Type	Description	Condition
			11: disable PWM output if PWM0/PWM2/PWM4 and PWM1/PWM3/PWM5 output high	
0	MOS_PRO_EN	R/W	Enable power MOS protect function	

Table 5-142 PWMCON8 register

5.14. Audio Unit

In GPM8F3132A/3116A/3108A, there is one audio control unit utilized for audio application. The related control registers are AUDCON and AUDBUF. When audio function is enabled, P36 and P37 are used as AUDIO_N and AUDIO_P in default setting,

user can disable the output of AUDIO_N and leave P36 as GPIO by setting SYSCON0[4]. Figure 5-52 shows the diagram of P36 and P37 output for different AUDCON settings.

AUDCON			Address: 0xB3		Audio Control Register			
Bit	7	6	5	4	3	2	1	0
Function	-	-	--	--	AUDIO_MODE	AUDIOIE	AUDIO_FREQ_SEL	AUDIO_EN
Default	0	0	0	0	0	0	0	0

Bit	Function	Type	Description	Condition
7:4	--	R/W	Reserved	
3	AUDIO_MODE	R/W	Audio mode selection 0: x 1: PWM mode	
2	AUDIOIE	R/W	Enable audio interrupt	
1	AUDIO_FREQ_SEL	R/W	Audio output frequency selection 0: AUDIO_24KHz output 1: AUDIO_32KHz output	
0	AUDIO_EN	R/W	Enable audio function	

Table 5-143 AUDCON register

AUDBUF			Address: 0xB4		Audio Buffer Register			
Bit	7	6	5	4	3	2	1	0
Function	AUDBUF[7:0]							
Default	1	0	0	0	0	0	0	0

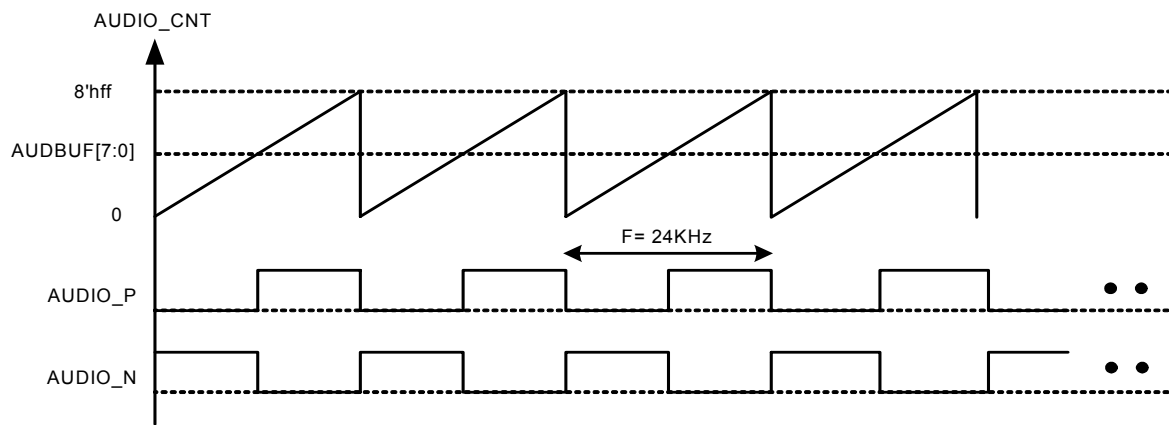
Table 5-144 AUDBUF register

SYSCON0			Address: 0xAE		SYSTEM control0 Register			
Bit	7	6	5	4	3	2	1	0
Function	LVRENB	--	--	AUDIO_N_DIS	--	CLKOUT_EN	CCOUTENB	SCHMIT_DIS_P4
Default	0	0	0	0	0	0	0	0
Key Code	FF,00							

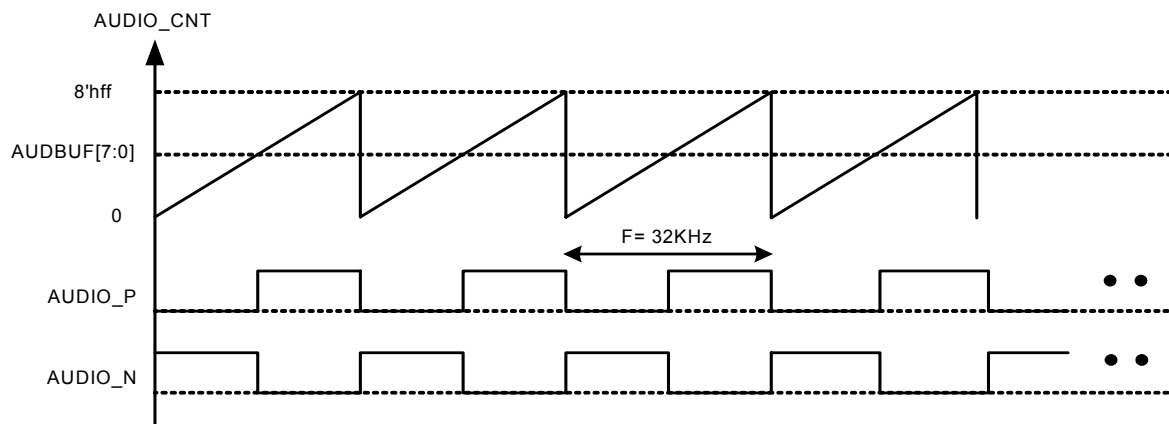
Bit	Function	Type	Description	Condition
7	LVRENB	R/W	LVR enable control 0: enable LVR function 1: disable LVR function	
6:5	--	--	Reserved	

Bit	Function	Type	Description	Condition
4	AUDIO_N_DIS	R/W	AUDIO_N disable bit available only if audio function is enabled 0: P36/P37 are output simultaneously as AUDIO_N/P 1: Only P37 is output as AUDIO_P	
3	--	--	Reserved	
2	CLKOUT_EN	R/W	Clock output enable bit (SYSCLK is output on P35)	
1	CCOUTENB	R/W	Disable output function of compare mode in Timer2 0: P1[3:1] = {compare3,compare2,compare1} 1: P1[3:1] is GPIO	
0	SCHMIT_DIS_P4	R/W	P4 schmitt trigger function disable control bit	

Table 5-145 SYSCON0 register



If AUDCON[7:0]=8'h09 (Audio 24KHz output)



If AUDCON[7:0]=8'h0A (Audio 32KHz output)

Figure 5-52 The diagram of P36(AUDIO_N) and P37(AUDIO_P) output for audio application

5.15. Alphabetical List of Instruction Set

5.15.1. Arithmetic Operations

Mnemonic	Description	Code	Bytes	Cycles
ADD A,Rn	Add register to accumulator	0x28-0x2F	1	1
ADD A,direct	Add direct byte to accumulator	0x25	2	2
ADD A,@Ri	Add indirect RAM to accumulator	0x26-0x27	1	2
ADD A,#data	Add immediate data to accumulator	0x24	2	2
ADDC A,Rn	Add register to accumulator with carry flag	0x38-0x3F	1	1
ADDC A,direct	Add direct byte to A with carry flag	0x35	2	2
ADDC A,@Ri	Add indirect RAM to A with carry flag	0x36-0x37	1	2
ADDC A,#data	Add immediate data to A with carry flag	0x34	2	2
SUBB A,Rn	Subtract register from A with borrow	0x98-0x9F	1	1
SUBB A,direct	Subtract direct byte from A with borrow	0x95	2	2
SUBB A,@Ri	Subtract indirect RAM from A with borrow	0x96-0x97	1	2
SUBB A,#data	Subtract immediate data from A with borrow	0x94	2	2
INC A	Increment accumulator	0x04	1	1
INC Rn	Increment register	0x08-0x0F	1	2
INC direct	Increment direct byte	0x05	2	3
INC @Ri	Increment indirect RAM	0x06-0x07	1	3
DEC A	Decrement accumulator	0x14	1	1
DEC Rn	Decrement register	0x18-0x1F	1	2
DEC direct	Decrement direct byte	0x15	1	3
DEC @Ri	Decrement indirect RAM	0x16-0x17	2	3
INC DPTR	Increment data pointer	0xA3	1	1
MUL A,B	Multiply A and B	0xA4	1	2
DIV A,B	Divide A by B	0x84	1	6
DA A	Decimal adjust accumulator	0xD4	1	3

5.15.2. Logic Operations

Mnemonic	Description	Code	Bytes	Cycles
ANL A,Rn	AND register to accumulator	0x58-0x5F	1	1
ANL A,direct	AND direct byte to accumulator	0x55	2	2
ANL A,@Ri	AND indirect RAM to accumulator	0x56-0x57	1	2
ANL A,#data	AND immediate data to accumulator	0x54	2	2
ANL direct,A	AND accumulator to direct byte	0x52	2	3
ANL direct,#data	AND immediate data to direct byte	0x53	3	3
ORL A,Rn	OR register to accumulator	0x48-0x4F	1	1
ORL A,direct	OR direct byte to accumulator	0x45	2	2
ORL A,@Ri	OR indirect RAM to accumulator	0x46-0x47	1	2
ORL A,#data	OR immediate data to accumulator	0x44	2	2
ORL direct,A	OR accumulator to direct byte	0x42	2	3
ORL direct,#data	OR immediate data to direct byte	0x43	3	3
XRL A,Rn	Exclusive OR register to accumulator	0x68-0x6F	1	1
XRL A,direct	Exclusive OR direct byte to accumulator	0x65	2	2
XRL A,@Ri	Exclusive OR indirect RAM to accumulator	0x66-0x67	1	2
XRL A,#data	Exclusive OR immediate data to accumulator	0x64	2	2

Mnemonic	Description	Code	Bytes	Cycles
XRL direct,A	Exclusive OR accumulator to direct byte	0x62	2	3
XRL direct,#data	Exclusive OR immediate data to direct byte	0x63	3	3
CLR A	Clear accumulator	0xE4	1	1
CPL A	Complement accumulator	0xF4	1	1
RL A	Rotate accumulator left	0x23	1	1
RLC A	Rotate accumulator left through carry	0x33	1	1
RR A	Rotate accumulator right	0x03	1	1
RRC A	Rotate accumulator right through carry	0x13	1	1
SWAP A	Swap nibbles within the accumulator	0xC4	1	1

5.15.3. Boolean Operations

Mnemonic	Description	Code	Bytes	Cycles
CLR C	Clear carry flag	0xC3	1	1
CLR bit	Clear direct bit	0xC2	2	3
SETB C	Set carry flag	0xD3	1	1
SETB bit	Set direct bit	0xD2	2	3
CPL C	Complement carry flag	0xB3	1	1
CPL bit	Complement direct bit	0xB2	2	3
ANL C,bit	AND direct bit to carry flag	0x82	2	2
ANL C,/bit	AND complement of direct bit to carry	0xB0	2	2
ORL C,bit	OR direct bit to carry flag	0x72	2	2
ORL C,/bit	OR complement of direct bit to carry	0xA0	2	2
MOV C,bit	Move direct bit to carry flag	0xA2	2	2
MOV bit,C	Move carry flag to direct bit	0x92	2	3

5.15.4. Data Transfers

Mnemonic	Description	Code	Bytes	Cycles
MOV A,Rn	Move register to accumulator	0xE8-0xEF	1	1
MOV A,direct	Move direct byte to accumulator	0xE5	2	2
MOV A,@Ri	Move indirect RAM to accumulator	0xE6-0xE7	1	2
MOV A,#data	Move immediate data to accumulator	0x74	2	2
MOV Rn,A	Move accumulator to register	0xF8-0xFF	1	1
MOV Rn,direct	Move direct byte to register	0xA8-0xAF	2	3
MOV Rn,#data	Move immediate data to register	0x78-0x7F	2	2
MOV direct,A	Move accumulator to direct byte	0xF5	2	2
MOV direct,Rn	Move register to direct byte	0x88-0x8F	2	2
MOV direct1,direct2	Move direct byte to direct byte	0x85	3	3
MOV direct,@Ri	Move indirect RAM to direct byte	0x86-0x87	2	3
MOV direct,#data	Move immediate data to direct byte	0x75	3	3
MOV @Ri,A	Move accumulator to indirect RAM	0xF6-0xF7	1	2
MOV @Ri,direct	Move direct byte to indirect RAM	0xA6-0xA7	2	3
MOV @Ri,#data	Move immediate data to indirect RAM	0x76-0x77	2	2
MOV DPTR,#data16	Load 16-bit constant into active DPH and DPL in LARGE mode	0x90	3	3
MOVC A,@A+DPTR	Move code byte relative to DPTR to accumulator	0x93	1	5
MOVC A,@A+PC	Move code byte relative to PC to accumulator	0x83	1	4

Mnemonic	Description	Code	Bytes	Cycles	
MOVX A,@Ri	Move external RAM (8-bit address) to A	XDM	0xE2-0xE3	1	3*
		SXDM			3
MOVX A,@DPTR	Move external RAM (16-bit address) to A	XDM	0xE0	1	2*
		SXDM			2
MOVX @Ri,A	Move A to external XDM (8-bit address)	ODE inside ROM/RAM	0xF2-0xF3	1	4*
		Other cases			5*
	Move A to external SXDM (8-bit address)	All cases			3
MOVX @DPTR,A	Move A to external XDM (16-bit address)	CODE inside ROM/RAM	0xF0	1	3*
		Other cases			4*
	Move A to external SXDM (16-bit address)	All cases			2
PUSH direct	Push direct byte onto IDM stack	0xC0	2	3	
POP direct	Pop direct byte from IDM stack	0xD0	2	2	
XCH A,Rn	Exchange register with accumulator	0xC8-0xCF	1	2	
XCH A,direct	Exchange direct byte with accumulator	0xC5	2	3	
XCH A,@Ri	Exchange indirect RAM with accumulator	0xC6-0xC7	1	3	
XCHD A,@Ri	Exchange low-order nibble indirect RAM with A	0xD6-0xD7	1	3	

5.15.5. Program Branches

Mnemonic	Description	Code	Bytes	Cycles
ACALL addr11	Absolute subroutine call	0x11-0xF1	2	4
LCALL addr16	Long subroutine call	0x12	3	4
RET	Return from subroutine	0x22	1	4
RETI	Return from interrupt	0x32	1	4
AJMP addr11	Absolute jump	0x01-0xE1	2	3
LJMP addr16	Long jump	0x02	3	4
SJMP rel	Short jump (relative address)	0x80	2	3
JMP @A+DPTR	Jump indirect relative to the DPTR	0x73	1	5
JZ rel	Jump if accumulator is zero	0x60	2	4
JNZ rel	Jump if accumulator is not zero	0x70	2	4
JC rel	Jump if carry flag is set	0x40	2	3
JNC	Jump if carry flag is not set	0x50	2	3
JB bit,rel	Jump if direct bit is set	0x20	3	5
JNB bit,rel	Jump if direct bit is not set	0x30	3	5
JBC bit,direct rel	Jump if direct bit is set and clear bit	0x10	3	5
CJNE A,direct rel	Compare direct byte to A and jump if not equal	0xB5	3	5
CJNE A,#data rel	Compare immediate to A and jump if not equal	0xB4	3	4
CJNE Rn,#data rel	Compare immediate to reg. and jump if not equal	0xB8-0xBF	3	4
CJNE @Ri,#data rel	Compare immediate to ind. and jump if not equal	0xB6-0xB7	3	5
DJNZ Rn,rel	Decrement register and jump if not zero	0xD8-0xDF	2	4
DJNZ direct,rel	Decrement direct byte and jump if not zero	0xD5	3	5
NOP	No operation	0x00	1	1

6. ELECTRICAL CHARACTERISTICS

6.1. Absolute Maximum Ratings

Characteristics	Symbol	Ratings
DC Supply Voltage	V_+	-0.3V ~ 6.0V
Input Voltage Range	V_{IN}	-0.3V to V_+ + 0.3V
Operating Temperature	T_A	-40°C to +85°C
VDD Total MAX Current	I_{VDDM}	100mA
VSS Total MAX Current	I_{VSSM}	150mA

Note: Stresses beyond those given in the Absolute Maximum Rating table may cause operational errors or damage to the device. For normal operational conditions see AC/DC Electrical Characteristics.

6.2. AC Characteristics ($T_A = 25^\circ\text{C}$)

Characteristics	Symbol	Limit			Unit	Test Condition
		Min.	Typ.	Max.		
IOSC Frequency	F_{OSC}	24.5*(1-2%)	24.5	24.5*(1+2%)	MHz	±2% at 2.4V~5.5V

6.3. DC Characteristics ($T_A = 25^\circ\text{C}$)

Characteristics	Symbol	Limit			Unit	Test Condition
		Min.	Typ.	Max.		
Operating Voltage	VDD	V_{LVR}	-	5.5	V	
Operating Current	I_{OP}	-	-	10.0	mA	SYSCLK= 24.5MHz @ 5.0V, no load
Standby Current	I_{STBY}	-	-	5.0	uA	VDD = 5.5V
Input High Level	V_{IH}	0.7*VDD	-	-	V	VDD = 5.0V(with Schmitt trigger)
Input Low Level	V_{IL}	-	-	0.3*VDD	V	VDD = 5.0V(with Schmitt trigger)
Output High Level	V_{OH}	0.8*VDD	-	-	V	$I_{OH} = -8\text{mA}$ at VDD = 5.0V
Output Low Level	V_{OL}	-	-	0.2*VDD	V	$I_{OL} = 20\text{mA}$ at VDD = 5.0V
Input Pull High Resistor 1	R_{PH1}	30	50	70	KΩ	VDD = 5.0V
Input Pull High Resistor 1	R_{PL1}	30	50	70	KΩ	VDD = 5.0V
Low Voltage Reset 1	V_{LVR1}	2.2*(1-5%)	2.2	2.2*(1+5%)	V	CONGIF_BYTE[5]=1
Low Voltage Reset 2	V_{LVR2}	3.9*(1-5%)	3.9	3.9*(1+5%)	V	CONGIF_BYTE[5]=0

6.4. ADC Characteristics ($T_A = 25^\circ\text{C}$)

6.4.1. 12 bit mode

Characteristics	Symbol	Limit			Unit	Test Condition
		Min.	Typ.	Max.		
Operating Voltage	VDD	V_{LVR}	-	5.5	V	
ADC Input Voltage Range	V_{ADCIN}	0	-	VDD	V	
ADC Clock Period	T_{AD}	0.3265	-	-	us	ADCLKmax=24.5MHz/8
Input Channel		-	-	8	channel	
Resolution			12		Bit	
No Missing Code			10		bits	
ADC Conversion Time	T_{CON}	5.224	-	-	us	ADCLK*16@ADCFG[1:0]=2'b00
Integral Linearity Error	E_{INL}	-	±2	±3	LSB	
Differential Linearity Error	E_{DNL}	-	-1~+2	-1~+3	LSB	

6.4.2. 8 bit mode

Characteristics	Symbol	Limit			Unit	Test Condition
		Min.	Typ.	Max.		
Operating Voltage	VDD	V_{LVR}	-	5.5	V	
ADC Input Voltage Range	V_{ADCIN}	0	-	VDD	V	
ADC Clock Period	T_{AD}	0.3265	-	-	us	ADCLKmax=24.5MHz/8
Input Channel		-	-	8	channel	
Resolution		8			Bit	
No Missing Code		8			bits	
ADC Conversion Time	T_{CON}	3.918	-	-	us	ADCLK*12@ADCFG[1:0]=2'b00
Integral Linearity Error	E_{INL}	-	± 0.5	± 1	LSB	
Differential Linearity Error	E_{DNL}	-	± 0.25	± 0.5	LSB	

6.5. OP and Comparators Characteristics ($T_A = 25^\circ\text{C}$)

Characteristics	Symbol	Limit			Unit	Test Condition
		Min.	Typ.	Max.		
Operating Voltage	VDD	V_{LVR}	-	5.5	V	
OP Input Offset	V_{in_op}	-	7	-	mV	VDD=5.0V
Built-in Resistor	R_{110K}	88	110	132	K Ω	VDD=5.0V

7. PACKAGE INFORMATION

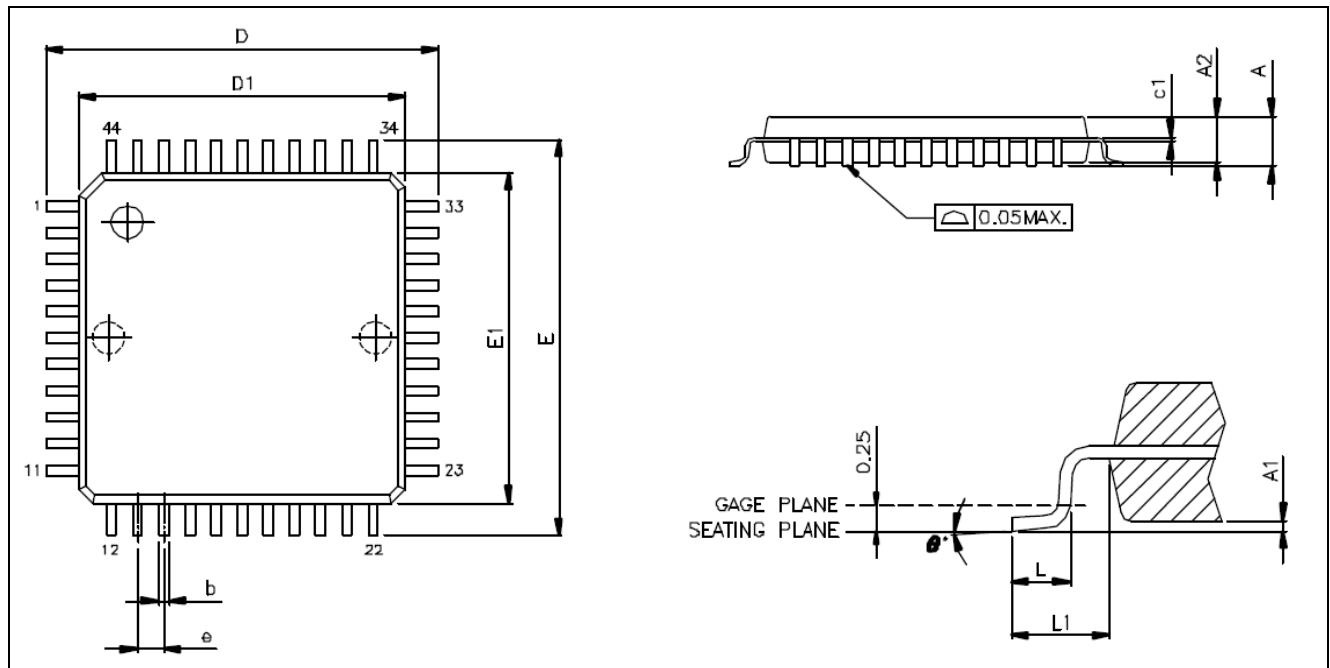
7.1. Ordering Information

Product Number	Package Type
GPM8F3132A – QL01x	Halogen Free Package
GPM8F3116A – QL01x	Halogen Free Package
GPM8F3108A – QL01x	Halogen Free Package

Note1: Package form number (x = 1 - 9, serial number).

7.2. Package Information

7.2.1. LQFP 44



Symbol	Millimeter		
	Min.	Nom.	Max.
A	-	-	1.60
A1	0.05	-	0.15
A2	1.35	1.40	1.45
c1	0.09	-	0.16
D	12.00 BSC		
D1	10.00 BSC		
E	12.00 BSC		
E1	10.00 BSC		
e	0.80 BSC		
b	0.30	0.37	0.45
L	0.45	0.60	0.75
L1	1.00 REF		
θ °	0 °	3.5 °	7 °

8.DISCLAIMER

The information appearing in this publication is believed to be accurate.

Integrated circuits sold by Generalplus Technology are covered by the warranty and patent indemnification provisions stipulated in the terms of sale only. GENERALPLUS makes no warranty, express, statutory implied or by description regarding the information in this publication or regarding the freedom of the described chip(s) from patent infringement. FURTHERMORE, GENERALPLUS MAKES NO WARRANTY OF MERCHANTABILITY OR FITNESS FOR ANY PURPOSE. GENERALPLUS reserves the right to halt production or alter the specifications and prices at any time without notice. Accordingly, the reader is cautioned to verify that the data sheets and other information in this publication are current before placing orders. Products described herein are intended for use in normal commercial applications. Applications involving unusual environmental or reliability requirements, e.g. military equipment or medical life support equipment, are specifically not recommended without additional processing by GENERALPLUS for such applications. Please note that application circuits illustrated in this document are for reference purposes only.

9. REVISION HISTORY

Date	Revision #	Description	Page
Nov. 07, 2014	0.6	1. Modify Figure 5-45. 2. Modify UART mode2 spec. 3. Add FLASHCON register description.	114
Dec. 01, 2010	0.4	Modify electrical characteristics	114
Oct. 21, 2010	0.3	Add body GPM8F3116A and GPM8F3108A.	104
Aug. 23, 2010	0.2	1. Modify the Table 5-75 CCEN register. 2. Modify the Figure 5-46 Built-in three comparators. 3. Modify the Figure 5-47 Built-in OP and comparator.	56 81 83
Jul. 07, 2010	0.1	Original	99