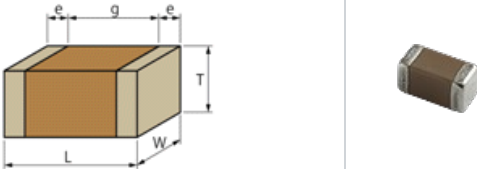




< List of part numbers with package codes >
GRM55DB11E106MA01L , GRM55DB11E106MA01K

Shape



L size	5.7 ±0.25mm
W size	5.0 +0/-0.4mm
T size	2.0 ±0.1mm
External terminal width e	1.1±0.3mm
Distance between external terminals g	3.5mm min.
Size code in inch(mm)	2220 (5750M)

References

Packaging	Specifications	Minimum quantity
L	φ 180mm Embossed taping	1000
K	φ 330mm Embossed taping	4000

Mass (typ.)	
1 piece	290.0mg
φ 180mm Reel	347g

Specifications

Capacitance	10μF ±20%
Rated voltage	25Vdc
Temperature characteristics (complied standard)	B(JIS)
Capacitance change rate	±10.0%
Temperature range of temperature characteristics	-25 to 85°C
Operating temperature range	-25 to 85°C

Attention

- 1.This datasheet is downloaded from the website of Murata Manufacturing Co., Ltd. Therefore, it's specifications are subject to change or our products in it may be discontinued without advance notice. Please check with our sales representatives or product engineers before ordering.
- 2.This datasheet has only typical specifications because there is no space for detailed specifications. Therefore, please review our product specifications or consult the approval sheet for product specifications before ordering.