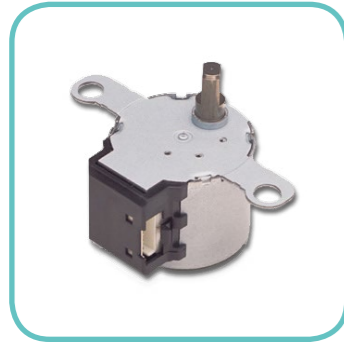
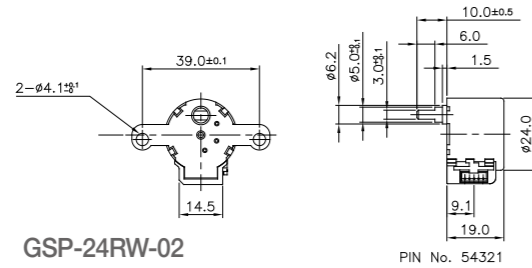


STEPPING MOTOR

GSP-24RW Non Bush Type



• DIMENSIONS(mm)



GSP-24RW-02

• SPECIFICATION

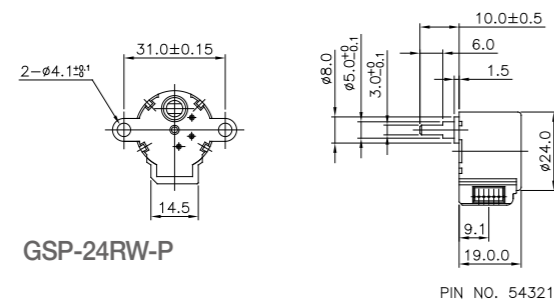
Model	Step Angle Degree	Drive Volt VDC	Phase	Resistance Ω±7%	Drive Circuit	Max. No Road Response PPS	Max. Slew speed PPS	Noise 100PPS	Torque (gf-cm)			Lead Wire Ass'y		
									Pull-in (PPS)	Friction	Detent	Housing	Contact Terminal	L mm
02	5.625/64	12	1-2	300	UNIPOLAR	400	700	Max 40dB	Min 600(100)	700~2400	Min 600	Without lead wire		
011(60)	5.625/64	12	1-2	300	UNIPOLAR	400	700	Max 40dB	Min 650(100)	700~2400	Min 600	Without lead wire		
011F	11.25/64	12	2-2	190	UNIPOLAR	450	900	Max 40dB	Min 900(182)	Non Friction	Min 600	SMH250-05L	YST025L-3	145
SP1	5.625/64	12	1-2	300	UNIPOLAR	400	700	Max 40dB	Min 650(100)	700~2400	Min 600	JST PAP-05V-S	JST SPHD-002T-P0.5	260
PS1	5.625/64	12	1-2	300	UNIPOLAR	400	700	Max 40dB	Min 650(100)	700~2400	Min 600	JST PAP-05V-S	JST SPHD-002T-P0.5	145

• APPLICATION : Air Conditioner / Ice maker / Electric Fan / Bidet / Automobile

GSP-24RW Bush Type



• DIMENSIONS(mm)



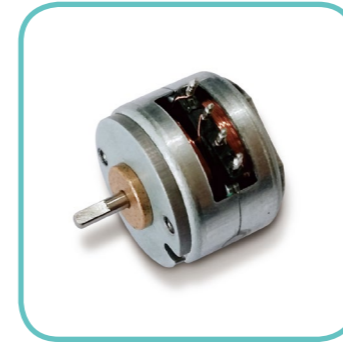
GSP-24RW-P

• SPECIFICATION

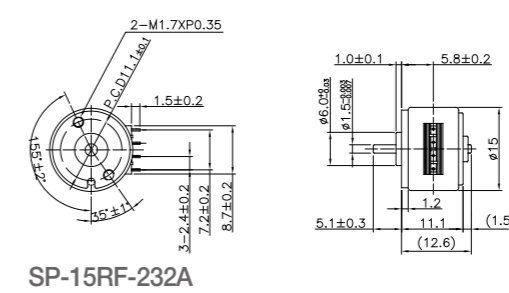
Model	Step Angle Degree	Drive Volt VDC	Phase	Resistance Ω±7%	Drive Circuit	Max. No Road Response PPS	Max. Slew speed PPS	Noise 100PPS	Torque (gf-cm)			Lead Wire Ass'y		
									Pull-in (PPS)	Friction	Detent	Housing	Contact Terminal	L mm
P	5.625/64	12	1-2	300	UNIPOLAR	500	800	Max 40dB	Min 600(100)	600~2000	Min 600	Without lead wire		
PA	5.625/64	12	1-2	300	UNIPOLAR	500	800	Max 40dB	Min 600(100)	600~2000	Min 600	Without lead wire		

• APPLICATION : Air Conditioner, Auto Mobile

SP-15RF Type

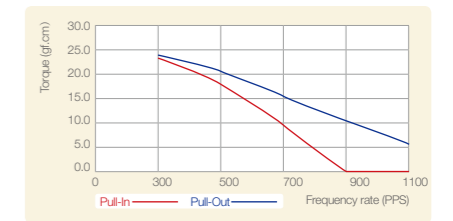


• DIMENSIONS(mm)



SP-15RF-232A

• CHARACTERISTICS (gf-Cm)



• SPECIFICATION

Series	Step Angle Degree	Voltage VDC	Resistance Ω±7%	Phase	Drive Circuit	Max. No Road Response PPS	Max. Slew Speed PPS	Torque (gf-cm)			Pinion			L/W Ass'y				
								Holding	Pull in (PPS)	Pull out (PPS)	Module	PCD	Z	Housing Terminal	L/W	L(mm)		
011K	18	7.2	30	2-2	Bipolar V Const	930	-	24	-	14 (800)	0.25	φ3.5	14	NONE				
015K		8.5	20			1050	-	40	-	20/16 (800/1200)	0.3	φ4.2	14	MOLEX 5264-04P MOLEX 5263 PBT	UL1007 AWG#26	110		
080K		7.2	17.7			1100	-	35	-	19.4 (800)	0.3	φ4.8	16	MOLEX 51021-0900 MOLEX 50058-8000	UL1685 AWG#30	170		
082		8.5	5			1100	2500	30	-	13 (1500)	0.25	φ3.0	12	MOLEX 51021-0900 MOLEX 50058-8000	UL1685 AWG#30	140		
085		8.5	7			1100	2500	30	-	22 (1280)	0.25	φ3.0	12	MOLEX 51021-0900 MOLEX 50058-8000	UL1685 AWG#30	140		
210AP		8.5	43			980	-	40	-	7 (1200)	NONE		NONE					
232A		4.2	10			1000	1200	35	-	23 (600)	NONE		NONE					
600K		5	30			700	-	25	-	8 (800)	0.35	φ4.55	13	FPC(SPS15RF 100K 공용)		45		
235		5	4.7					Bipolar A Const (370mA)	1000	2500	28	-	15 (1440)	NONE		NONE		

• APPLICATION : Mini printer, Camera, DVD-Plater, Medical Instrument, etc.