

GT15 Series

— HID Lamp DII Sockets —

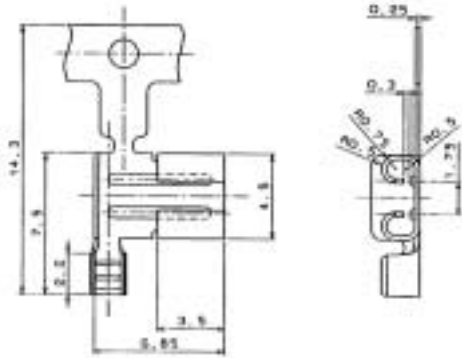


■ Features

- Engages with P32d type lamp base conforming to the IEC61-1 standard.
- Crimping is used as the wiring method with the cable to make assembly very easy.
- A bulb check function is available with some types (e.g., GT15A and B).
- GT15B permits shielded mounting.

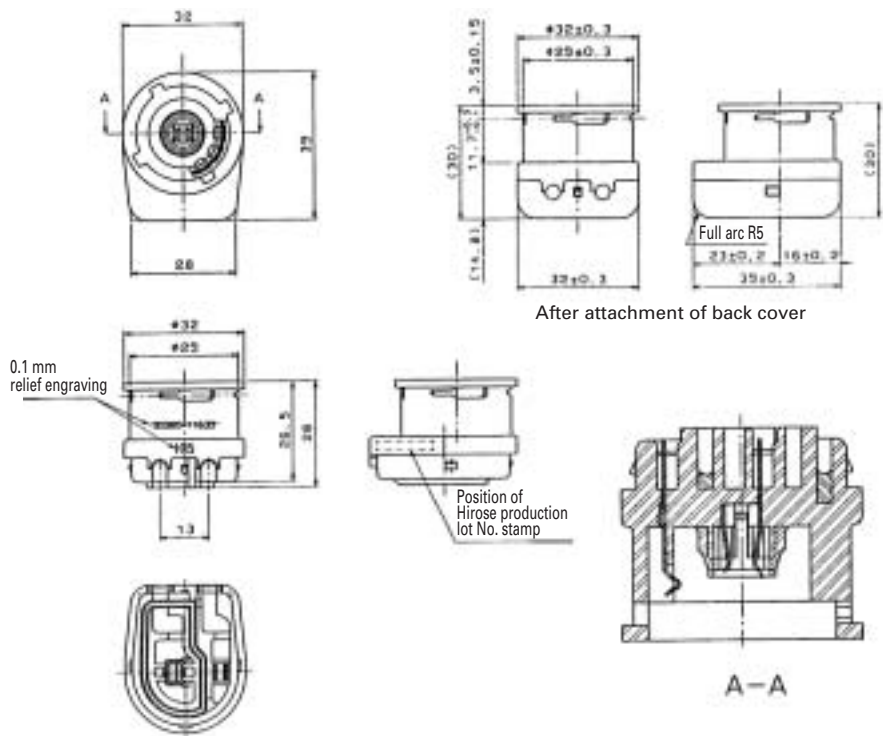
HID Lamp Sockets

● Terminals



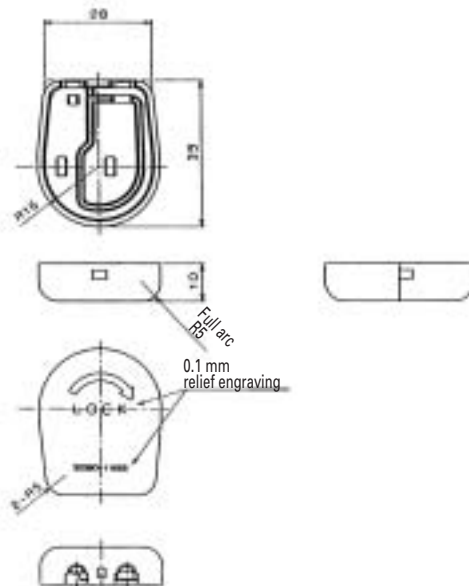
Part Number	CL No.	Packaging
GT15T-2024SCF (A)	765-0008-5	5,000 pcs. per reel

● Body



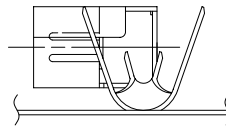
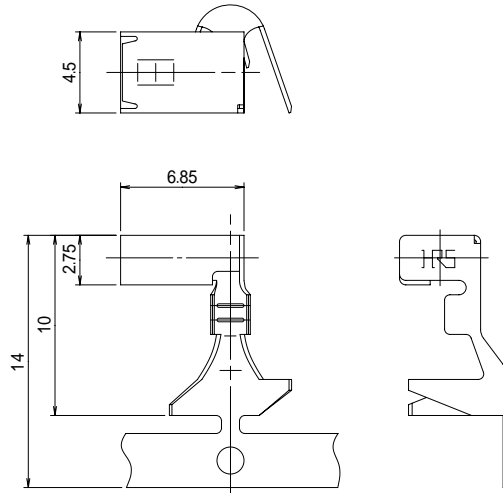
Part Number	CL No.
GT15T-2S	765-0006-0

● Cover



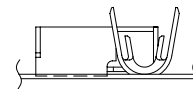
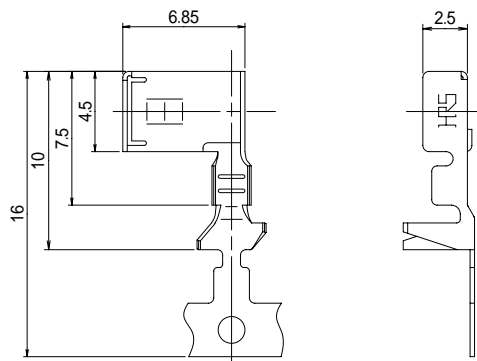
Part Number	CL No.
GT15T-2S-F	765-0007-2

● Terminals



Part Number	CL No.	Conductor Size (AWG)	Outer Diameter
GT15B-2024SCF	765-0022-6	#20 to 24	3.6 to 4.0 mm

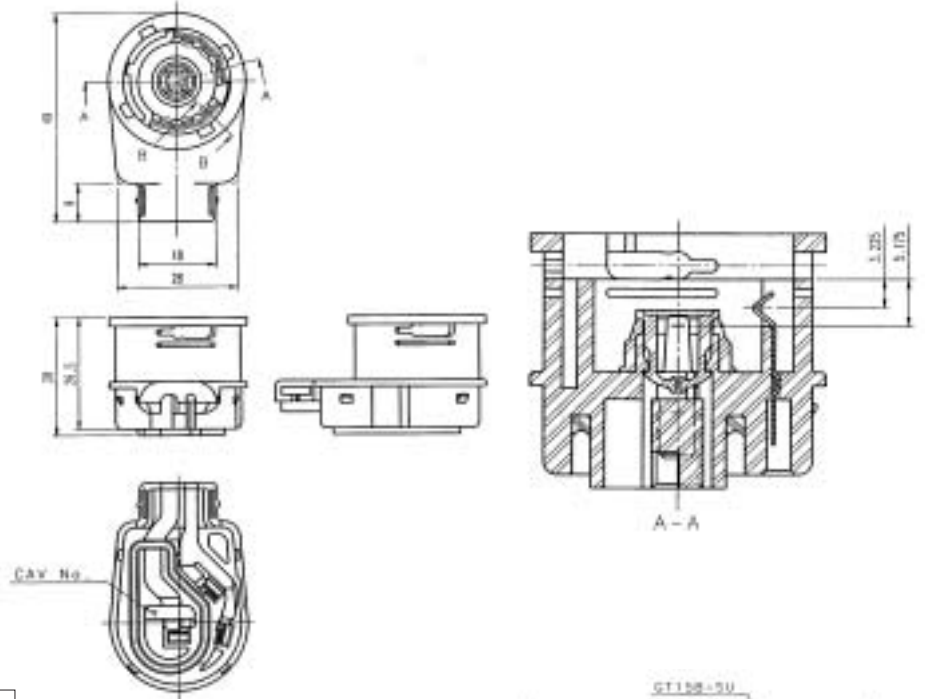
* For high-voltage cables



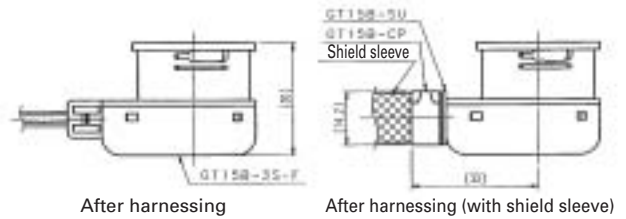
Part Number	CL No.	Conductor Size (AWG)	Outer Diameter
GT15A-2024SCF (A)	765-0014-8	#20 to 24	1.8 to 2.2 mm
GT15A-2024SCF (B)	765-0025-4	#20 to 24	2.4 to 2.7 mm

* For low-voltage check cables

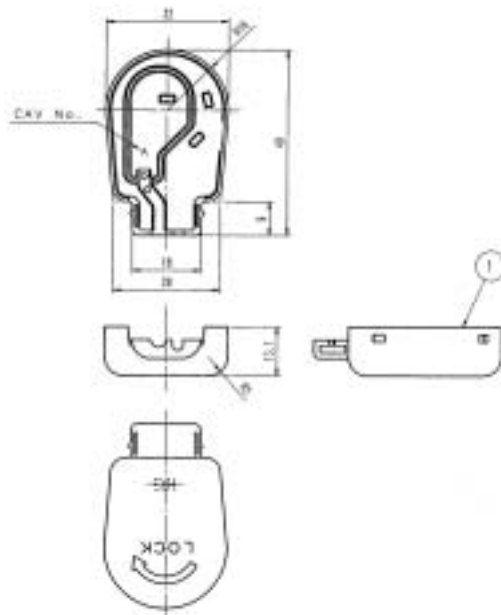
● Body



Part Number	CL No.
GT15B-3S	765-0020-0

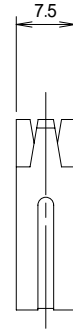
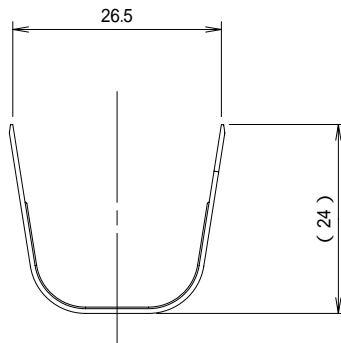


● Cover



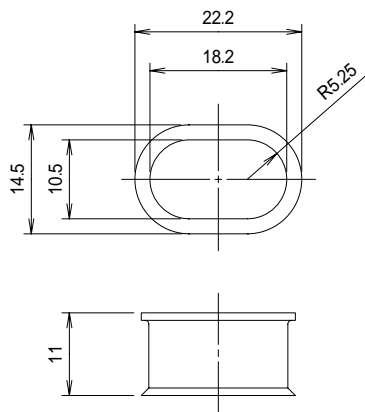
Part Number	CL No.
GT15B-3S-F	765-0021-3

● Shield Clamp



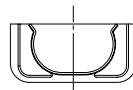
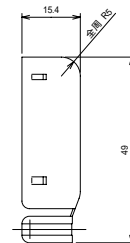
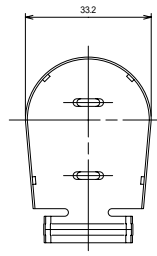
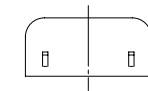
Part Number	CL No.
GT15B-CP	765-0023-9

● Shield Sleeve



Part Number	CL No.
GT15B-SU	765-0024-1

● Shield Cover



Part Number	CL No.
GT15B-SC-K	765-0037-3

◆ Termination Tools

User's manuals are available. Please contact your Hirose Electric account representative.

● Automatic Crimping Machine

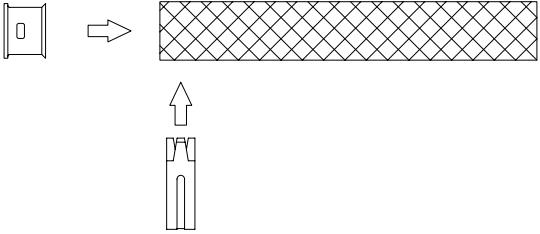
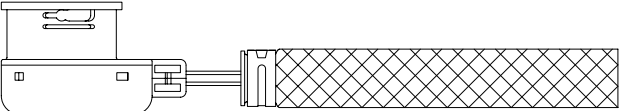
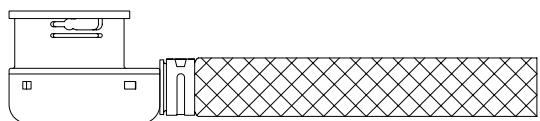
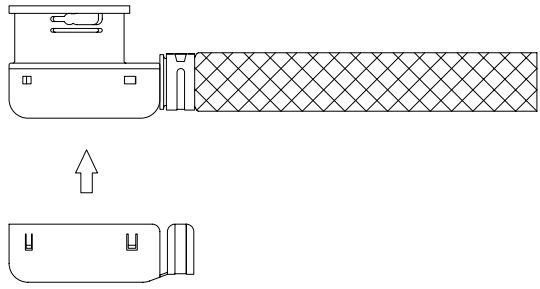


Part number CM-105

Specifications

Item	Specification	Remarks
Specification	1.5ton	
Stroke length	30mm	
Number of strokes	200spm (50Hz)	240spm (60Hz)
Wight	75kg	
Motor	0.2kW	AC100V
Crimping speed	2,000 to 4,000 pcs. per Hour	

◆ Method of Using GT15B-SU, GT15B-CP, and GT15B-SC-K

<p>1. Insert GT15B-SU into the shield sleeve and crimp with GT15B-CP.</p>	
<p>2. Insert the wire of harnessed GT15B-3S into the shield sleeve.</p>	
<p>3. Push in until the stopper catches.</p>	
<p>4. Push in GT15B-SC-K until the stopper catches.</p>	
<p>5. Completion</p>	