

Scale 3:1

Features

- ▶ **Supply voltages from 2.7V ~ 5.5V**
- ▶ **Low power consumption**
- ▶ **1.9mm maximum height**
- ▶ **Excellent frequency stability**

Standard Frequencies

Frequencies in MHz		
10.00000	15.36000	19.68000
12.80000	16.00000	19.80000
13.00000	19.20000	26.00000
14.40000	19.44000	

Specifications

GTXO-71T: TCXO, no frequency adjustment

GTXO-71V: TCXO with VC frequency adjustment

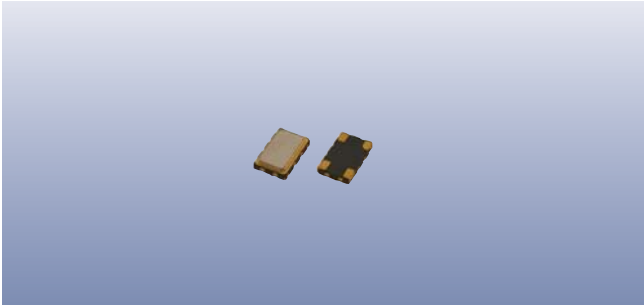
Parameters	Variant		Option Codes
	T	V	
Frequency range: 10.0 ~ 26.0MHz	■	■	
Frequency stability:			
±3.0ppm	□	□	K
±2.5ppm	■	■	J
±2.0ppm	□	□	H
±1.5ppm	□	□	G
±1.0ppm	□	□	F
Temperature range:			
0 to +50°C	□	□	R
-10 to +60°C	□	□	C
-20 to +70°C	□	□	N
-30 to +75°C	■	■	S
Storage temperature range:			
-40 to +85°C	■	■	
Frequency vs supply voltage:			
±0.3ppm, V _{DD} ±5%	■	■	
Ageing: ±1.0ppm max first year	■	■	
Supply voltage (V_{DD}):			
+2.7V ~ +5.5V (see note 1)	■	■	
Supply current: 2.0mA max	■	■	
Output waveform:			
Clipped sine, 0.8V p-p (see note 2)	■	■	
Test load: 10kΩ // 10pF	■	■	
Start up time: 3ms max	■	■	
Frequency adjustment: None	■	■	
±8ppm min, +1.5V ±1.0V			
Phase noise:			
-50dBc/Hz typ @ 1Hz	■	■	
-80dBc/Hz typ @ 10Hz	■	■	
-125dBc/Hz typ @ 1kHz	■	■	
-140dBc/Hz typ @ 100kHz	■	■	
Stability 24hrs after reflow:			
±1.0ppm max	■	■	
Preset frequency:			
±0.5ppm / +25°C ±2°C	■	■	

■ Standard. □ Optional - Please specify required code(s) when ordering

Ordering Information

Product name + variant + option codes + frequency
 Option codes must be included to properly specify a model.
 eg: **GTXO-71V/JS 13.00MHz** ±2.5ppm -30+75°C TCXO with VC
GTXO-71T/HN 14.40MHz ±2.0ppm -20+70°C TCXO no VC
 Option code X (eg GTXO-71V/X) denotes a custom spec.


- ◆ 1: Will operate within specification on any supply voltage from +2.7V to +5.5V.
- ◆ 2: The output is not DC-free. A coupling capacitor (10nF) may be required.



Construction

- ▄▄▄▄ **Ceramic body with gold-plated pads**
- ▄▄▄▄ **Metal lid, seam sealed**

Composition

 This product is lead-free
WARNING: It is not designed to withstand 260°C processing

Packaging & Handling

Production quantities supplied on T & R, 1k pcs per reel.
 Small quantities may be supplied on tape (no reel), or in bulk.

 ♦ Static sensitive product. Observe proper handling precautions

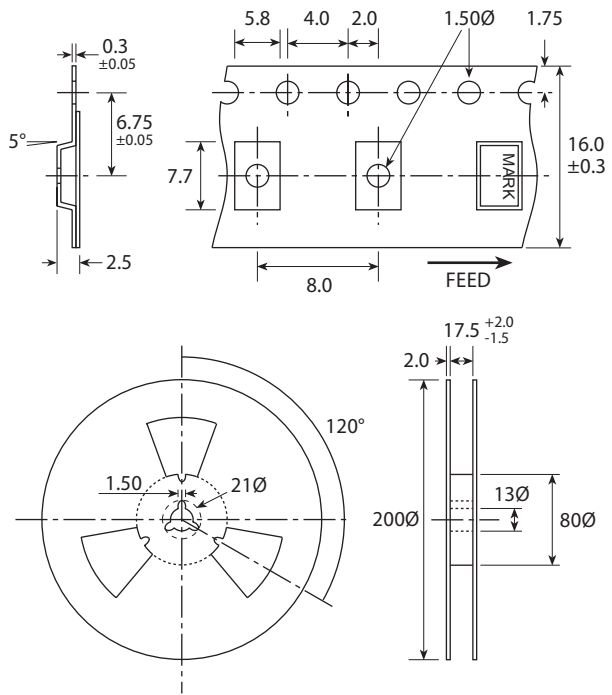
Marking

S71 DC
 • FREQUENCY

• Pin 1
 Marking type: Laser
 DC = Date code in YM, eg "CE" = May 2003

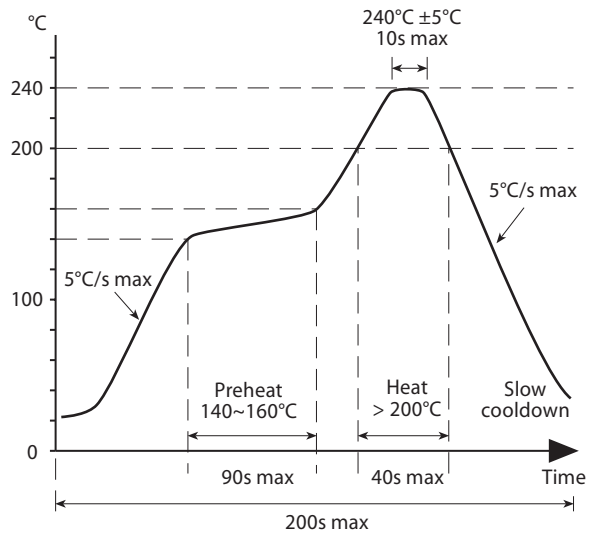
	A	B	C	D	E	F	G	H	J	K	L	M
Y	1	2	3	4	5	6	7	8	9	0		
M	Jan	Feb	Mar	Apr	May	Jun	Jul	Aug	Sep	Oct	Nov	Dec

Tape & Reel Specification



Not to scale. Dimensions in mm. Tolerances ±0.1mm unless otherwise stated

Soldering Profile



Solder resistance: 240°C x 10 secs x 2.

♦ This product is not designed to withstand 260°C processing