

**Microwave Hybrid Junction**  
**30 MHz - 3 GHz**

**H-183-4**  
**V2**

**Features**

- 0°-180° Hybrid
- Seven Octave Frequency Range

**Guaranteed Specifications\***  
**(From -55°C to +85°C)**

Frequency Range		30-3000 MHz
Insertion Loss (Less Coupling)	30-100 MHz	1.2 dB Max
	100-1500 MHz	1.5 dB Max
	1500-3000 MHz	2.5 dB Max
Isolation	30-100 MHz	25 dB Max
	100-1500 MHz	20 dB Max
	1500-3000 MHz	20 dB Max
Amplitude Balance	30-3000 MHz	0.4 dB Max
VSWR	30-100 MHz	1.6:1
	100-1500 MHz	1.6:1
	1500-3000 MHz	2.5:1
Phase Unbalance	30-100 MHz	3° Max
	100-1500 MHz	7.5° Max
	1500-3000 MHz	15° Max

**Operating Characteristics**

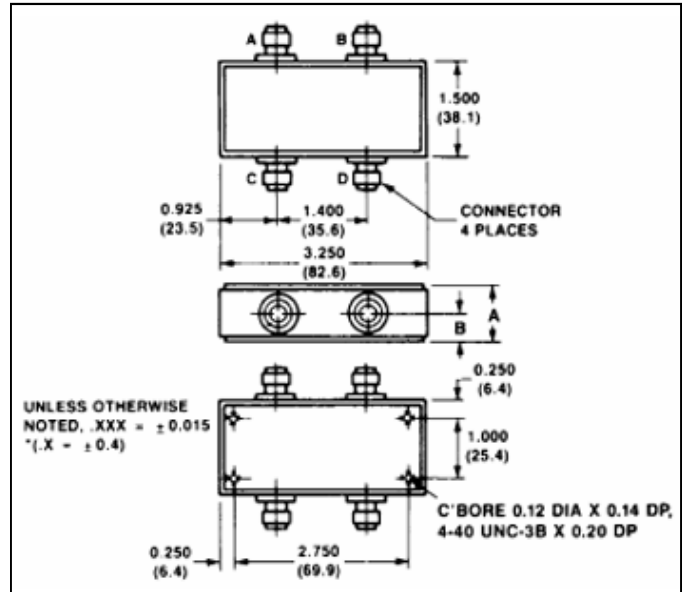
Impedance	50 Ohms Nominal
Input Power	5 Watts Max
Environmental MIL-STD-883 Screening available.	

All specification apply with 50 ohm source and load impedance.  
This product contains elements protected by United States Patent  
Number 3,508,171.

**Ordering Information**

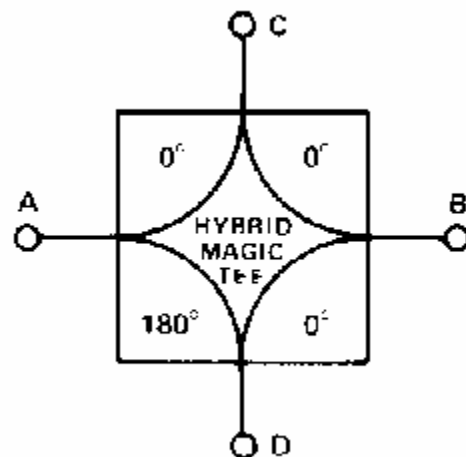
Model No.	Package
H-183-4 SMA	Connectorized

**C-11**



	A	B
H-183-4	1.207 ± 0.020 (30.6 ± 0.5)	0.592 ± 0.020 (15.03 ± 0.5)

**Functional Diagram**



**Typical Performance**

