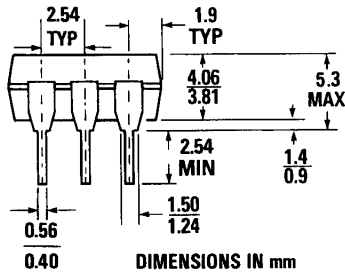
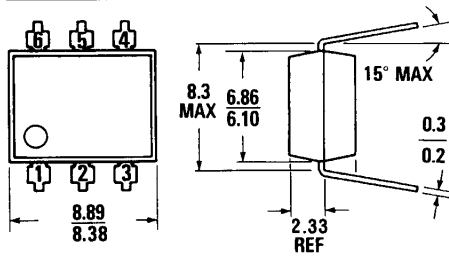
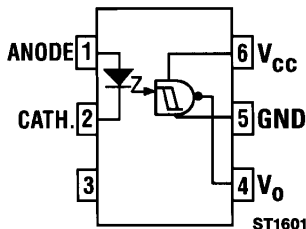


PACKAGE DIMENSIONS



ST1603A



Equivalent Circuit

DESCRIPTION

The H11L series has a medium-to-high speed integrated circuit detector optically coupled to a gallium-arsenide infrared emitting diode. The output incorporates a Schmitt trigger, which provides hysteresis for noise immunity and pulse shaping. The detector circuit is optimized for simplicity of operation and utilizes an open collector output for maximum application flexibility.

FEATURES

- High data rate, 1 MHz typical (NRZ)
- Free from latch up and oscillation throughout voltage and temperature ranges.
- Microprocessor compatible drive
- Logic compatible output sinks 16 mA at 0.4 V maximum
- Guaranteed on/off threshold hysteresis
- High common mode rejection ratio
- Fast switching: $t_r, t_f=100$ ns typical
- Wide supply voltage capability, compatible with all popular logic systems
- Underwriters Laboratory (UL) recognized — file #E90700

APPLICATIONS

- Logic to logic isolator
- Programmable current level sensor
- Line receiver—eliminate noise and transient problems
- A.C. to TTL conversion—square wave shaping
- Digital programming of power supplies
- Interfaces computers with peripherals

ABSOLUTE MAXIMUM RATINGS

TOTAL PACKAGE

Storage temperature -55°C to 150°C
 Operating temperature -55°C to 100°C
 Lead solder temperature 260°C for 10 sec

INPUT DIODE

Power dissipation (25°C ambient) 100 mW
 Derate linearly (above 25°C ambient) 1.33 mW/ $^{\circ}\text{C}$
 Continuous forward current 60 mA
 Peak forward current ($1\ \mu\text{s}$ pulse, 300pps) 3 A
 Reverse voltage 6 V

DETECTOR

Power dissipation (at 25°C ambient) 150 mW
 Derate linearly (above 25°C ambient) 2 mW/ $^{\circ}\text{C}$
 V_{45} allowed range 0 to 16 V
 V_{65} allowed range 0 to 16 V
 I_a output current 50 mA



**MICROPROCESSOR COMPATIBLE GaAs
SCHMITT TRIGGER OPTOCOUPLERS**

ELECTRICAL CHARACTERISTICS ($T_A = 0-70^\circ\text{C}$ Unless Otherwise Specified)

INDIVIDUAL COMPONENT CHARACTERISTICS						
PARAMETER	SYMBOL	MIN.	TYP.	MAX.	UNITS	TEST CONDITIONS
INPUT DIODE						
Forward voltage	V_F		1.1	1.5	V	$I_f = 10 \text{ mA}$
	V_F	0.75	0.95		V	$I_f = 0.3 \text{ mA}$
Reverse current	I_R			10	μA	$V_R = 3 \text{ V}$
Capacitance	C_J			100	pF	$V = 0, f = 1 \text{ MHz}$
OUTPUT DETECTOR						
Operating voltage range	V_{CC}	3		15	V	
Supply current	$I_{c(off)}$		1.0	5.0	mA	$I_e = 0, V_{CC} = 5 \text{ V}$
Output current, high	I_{OH}			100	μA	$I_e = 0, V_{CC} = V_O = 15 \text{ V}$

TRANSFER CHARACTERISTICS						
CHARACTERISTIC	SYMBOL	MIN.	TYP.	MAX.	UNITS	TEST CONDITIONS
Supply current	$I_{e(on)}$		1.6	5	mA	$I_e = 10 \text{ mA}, V_{CC} = 5 \text{ V}$
Output voltage, low	V_{OL}		0.2	0.4	V	$R_L = 270 \Omega, V_{CC} = 5 \text{ V}, I_e = I_{F(on)} \text{ max.}$
Turn-on threshold current	(H11L1) $I_{F(on)}$		1.0	1.6	mA	$R_L = 270 \Omega, V_{CC} = 5 \text{ V}$
	(H11L2) $I_{F(on)}$		6.0	10.0	mA	$R_L = 270 \Omega, V_{CC} = 5 \text{ V}$
	(H11L3) $I_{F(on)}$		3.0	5.0	mA	$R_L = 270 \Omega, V_{CC} = 5 \text{ V}$
Turn-off threshold current	$I_{F(off)}$	0.3	1.0		mA	$R_L = 270 \Omega, V_{CC} = 5 \text{ V}$
Hysteresis ratio	$I_{F(off)} / I_{F(on)}$	0.50	0.75	0.90		$R_L = 270 \Omega, V_{CC} = 5 \text{ V}$

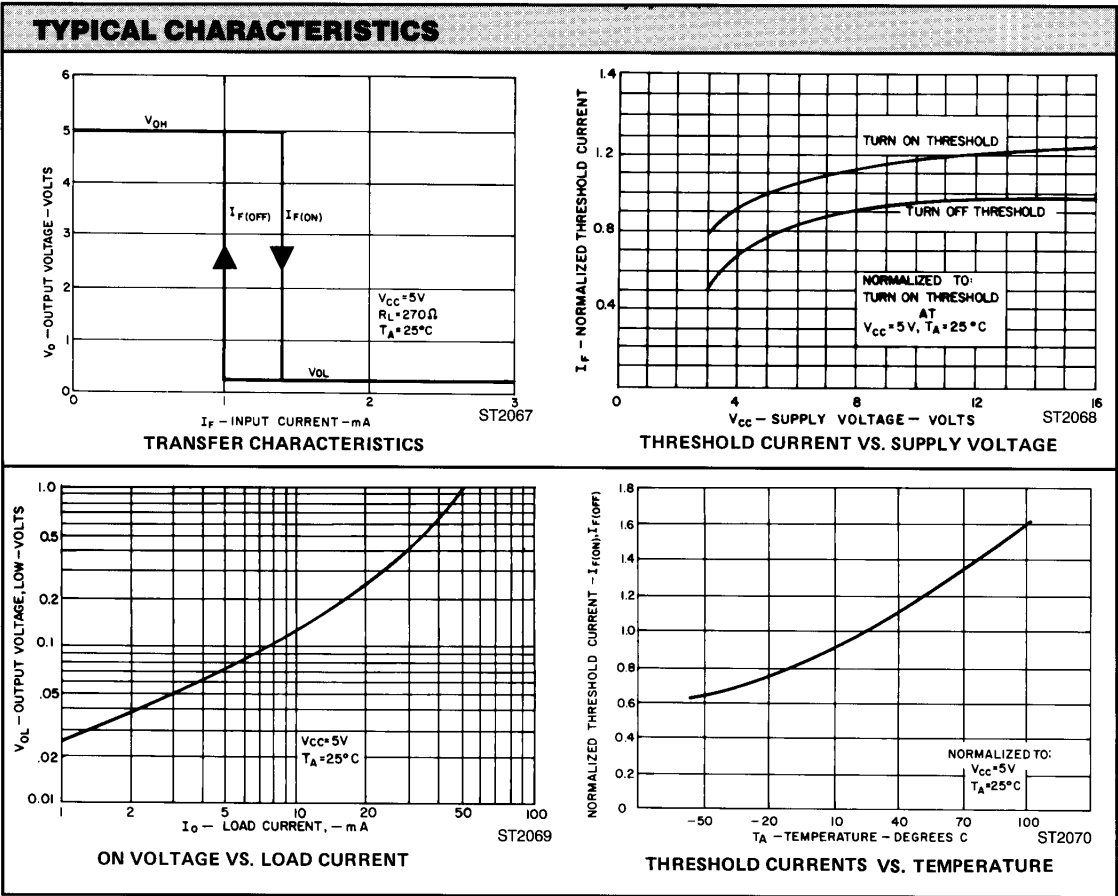
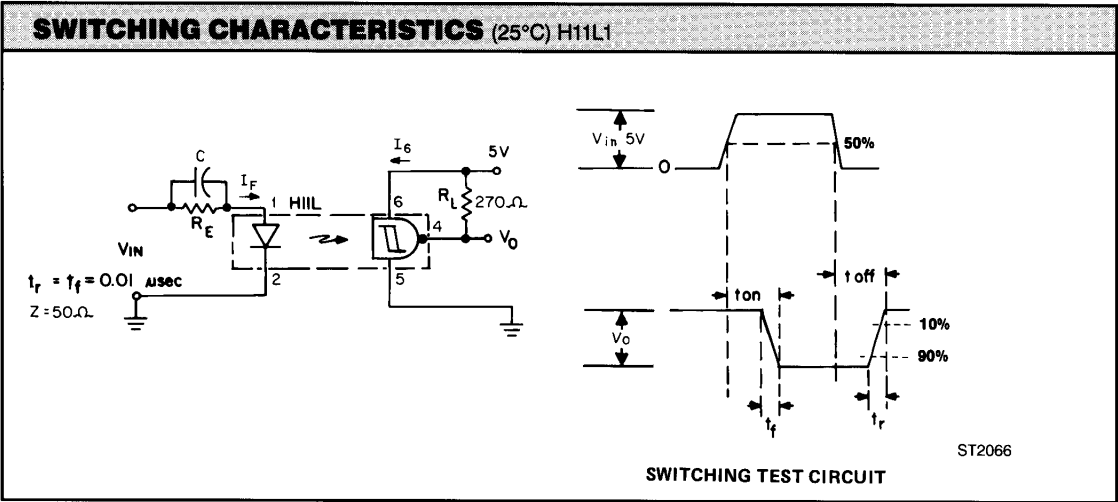


MICROPROCESSOR COMPATIBLE GaAs SCHMITT TRIGGER OPTOCOUPLEDERS

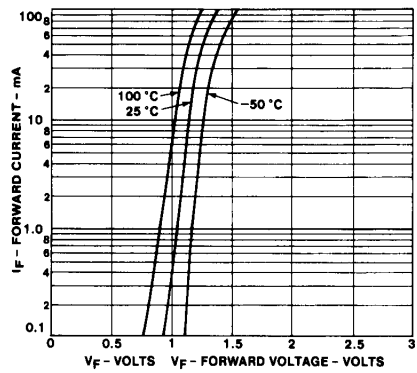
DYNAMIC CHARACTERISTICS						
PARAMETER	SYMBOL	MIN.	TYP.	MAX.	UNITS	TEST CONDITIONS
SWITCHING SPEED						
Turn-on time	t_{ON}		1.0		μS	$C=0, R_E=1.2\ k\Omega$
	t_{ON}		0.65		μS	$C=270\ pF, R_E=1.2\ k\Omega$ $f \leq 100\ KHz, t_p \geq 1\ \mu s$
Fall time	t_f		0.1		μS	$C=0, R_E=1.2\ k\Omega$
	t_f		0.05		μS	$C=270\ pF, R_E=1.2\ k\Omega$ $f \leq 100\ KHz, t_p \geq 1\ \mu s$
Turn-off time	t_{OFF}		2.0		μS	$C=0, R_E=1.2\ k\Omega$
	t_{OFF}		1.20		μS	$C=270\ pF, R_E=1.2\ k\Omega$ $f \leq 100\ KHz, t_p \geq 1\ \mu s$
Rise time	t_r		0.1		μS	$C=0, R_E=1.2\ k\Omega$
	t_r		0.07		μS	$C=270\ pF, R_E=1.2\ k\Omega$ $f \leq 100\ KHz, t_p \geq 1\ \mu s$
Data rate			1.0*		MHz	

ISOLATION CHARACTERISTICS						
CHARACTERISTIC	SYMBOL	MIN.	TYP.	MAX.	UNITS	TEST CONDITIONS
Surge isolation voltage	V_{ISO}	7500			V_{PEAK}	1 Minute
Surge isolation voltage	V_{ISO}	5300			V_{RMS}	1 Minute

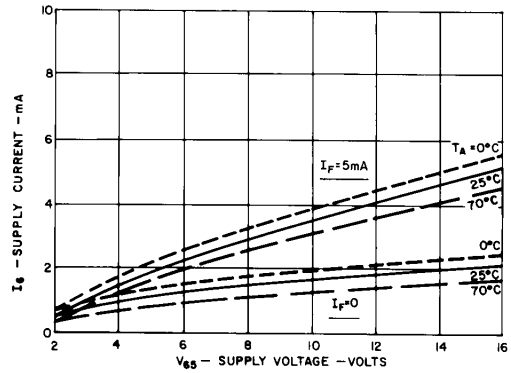
*Maximum data rate will vary depending on the bias conditions and is usually highest when R_E and C are matched to $I_{F(ON)}$ and V_{CC} is between 3 and 15 V. With this optimized bias, most units will operate over 1.5 MHz (NRZ).



TYPICAL CHARACTERISTICS (Cont'd)

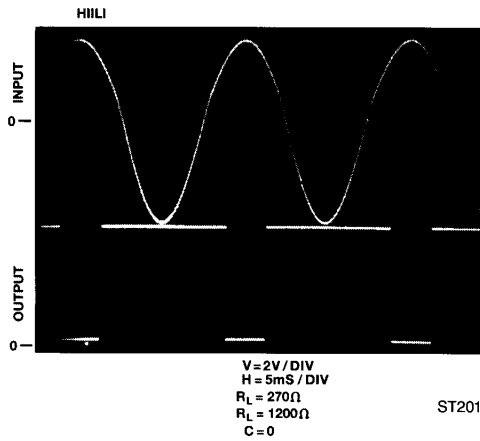


ST2015



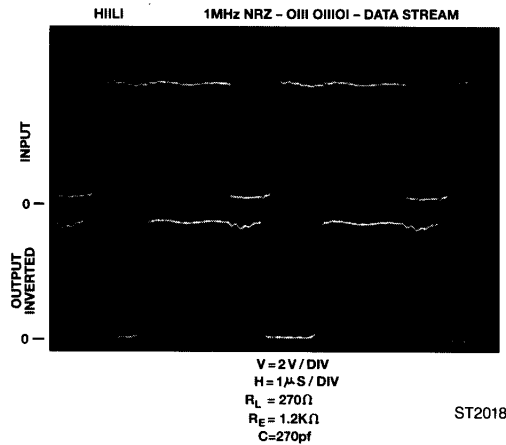
ST2016

FORWARD VOLTAGE VS. FORWARD CURRENT



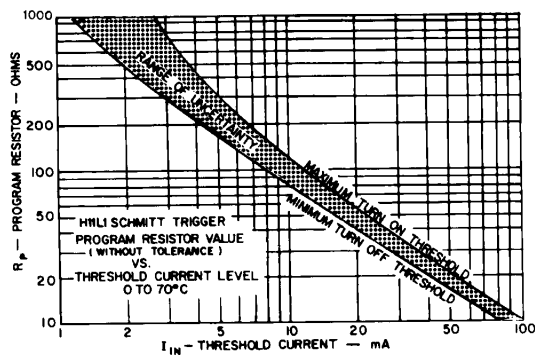
ST2017

SUPPLY CURRENT VS. SUPPLY VOLTAGE

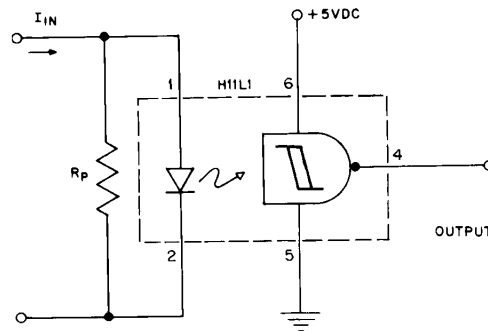


ST2018

TYPICAL APPLICATION



ST2019



**PROGRAMMABLE CURRENT
THRESHOLD SENSING CIRCUIT**



MICROPROCESSOR COMPATIBLE GaAs SCHMITT TRIGGER OPTOCOUPLEDERS

DISCLAIMER

FAIRCHILD SEMICONDUCTOR RESERVES THE RIGHT TO MAKE CHANGES WITHOUT FURTHER NOTICE TO ANY PRODUCTS HEREIN TO IMPROVE RELIABILITY, FUNCTION OR DESIGN. FAIRCHILD DOES NOT ASSUME ANY LIABILITY ARISING OUT OF THE APPLICATION OR USE OF ANY PRODUCT OR CIRCUIT DESCRIBED HEREIN; NEITHER DOES IT CONVEY ANY LICENSE UNDER ITS PATENT RIGHTS, NOR THE RIGHTS OF OTHERS.

LIFE SUPPORT POLICY

FAIRCHILD'S PRODUCTS ARE NOT AUTHORIZED FOR USE AS CRITICAL COMPONENTS IN LIFE SUPPORT DEVICES OR SYSTEMS WITHOUT THE EXPRESS WRITTEN APPROVAL OF THE PRESIDENT OF FAIRCHILD SEMICONDUCTOR CORPORATION. As used herein:

1. Life support devices or systems are devices or systems which, (a) are intended for surgical implant into the body, or (b) support or sustain life, and (c) whose failure to perform when properly used in accordance with instructions for use provided in the labeling, can be reasonably expected to result in a significant injury of the user.
2. A critical component in any component of a life support device or system whose failure to perform can be reasonably expected to cause the failure of the life support device or system, or to affect its safety or effectiveness.