

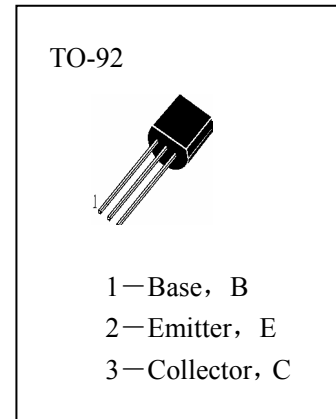


APPLICATIONS

TV FINAL PICTURE IF AMPLIFIER APPLICATIONS.

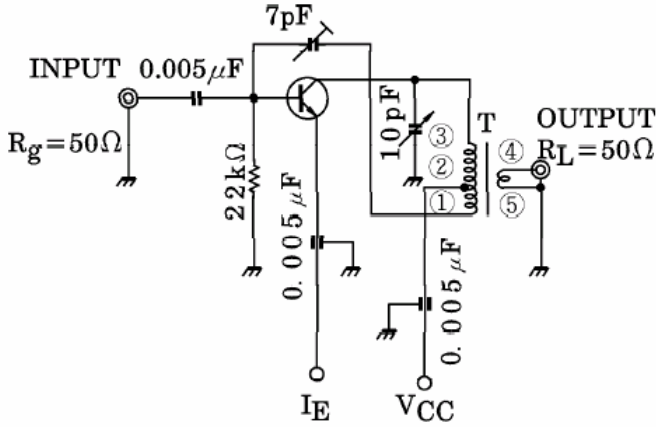
ABSOLUTE MAXIMUM RATINGS (Ta=25°C)

- Tstg—Storage Temperature..... -55~150°C
Tj—Junction Temperature.....150°C
Pc—Collector Dissipation.....300mW
Vcbo—Collector-Base Voltage.....30V
Vceo—Collector-Emitter Voltage.....25V
Veb0—Emitter-Base Voltage.....4V
Ic—Collector Current.....50mA
Ie—Emitter Current.....-50mA



ELECTRICAL CHARACTERISTICS (Ta=25°C)

Table with 7 columns: Symbol, Characteristics, Min, Typ, Max, Unit, Test Conditions. Rows include BVcbo, BVceo, BVebo, Icbo, Iebo, HFE, Vce(sat), Vbe(sat), Cob, ft, Gpe.



COIL DATA

0.20mm  $\phi$  Cu WIRE  
 $L = 1.2\mu\text{H}$  WITH M-5 CORE  
 T : ①-② 3.0T  
       ②-③ 8.0T  
       ④-⑤ 1.0T

Fig. 45MHz  $G_{pe}$  TEST CIRCUIT

STATIC CHARACTERISTICS

