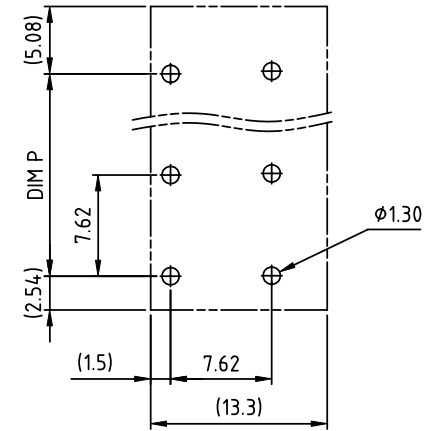
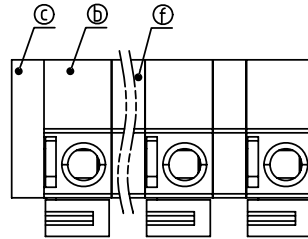
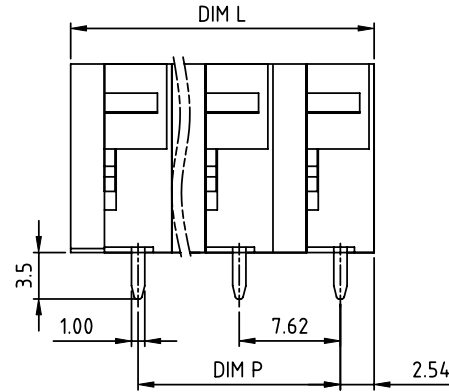
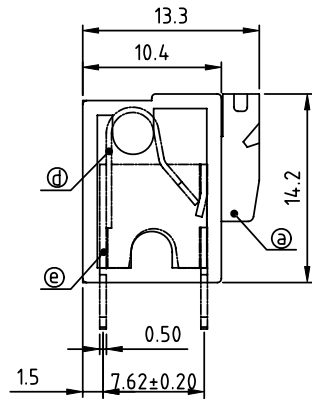


PRODUCT NUMBER	PITCH
HAxx20x000J0G	7.62 mm



RECOMMENDED P.C.B LAYOUT
TOP VIEW



Material:

- Item@ Lever: Thermoplastic (UL94V-0) Orange RAL2011/P
- ItemⓅ Terminal body: Thermoplastic (UL94V-0)
- ItemⓄ cover: Thermoplastic (UL94V-0)
- ItemⓈ Spring clamp: Stainless steel
- ItemⓂ Pin: Brass, Tin plated
- ItemⓅ Pad board: Thermoplastic (UL94V-0)

Electrical cULus/VDE

- Voltage rating: 300VAC/450VAC
- Current rating: 10A/10A
- Wire range: 0.75-1.5mm²
- Solid wire(AWG): 14-24
- Stranded wire(AWG): 14-24
- Pull force:
- Screw:
- Wire strip length: 9-10mm
- Withstanding Voltage: 1.6KV/2.5KV
- Operating temperature: -40°C to +115°C
- Soldering temperature: 260°C±5°C/5 Sec
- Safety Approval:

N=Number of poles
Dim L=Nx7.62
Dim P=(N-1)x7.62

Poles	Dim L	Dim P
2-6p	±0.20	±0.20
7-12p	±0.30	±0.25
13-16p	±0.40	±0.30

PART NO.: HA xx 20 x 0 00J0 G

	End stackable	No. of poles	Color	RoHS compliant
0	0	2	Black (RAL9005)	(lead<4%) In copper Alloy
02	2	2	Red (RAL3001/D)	
03	3	3	Orange(RAL2011/P)	
...	...	4	Yellow(RAL1018/A)	
...	...	5	Green(RAL6018/T)	
16	16	6	Blue (RAL5015/A)	
		8	Grey(RAL7004/P)	
		9	White(RAL1102)	
		C	Multiple colors	

mat'l. code		surface ASME Y14.5	tolerance ASME Y14.5	projection	product family TERMINAL BLOCK	
ltr	ecn no	dr	date		title	
					TERMINAL BLOCK	SPRING CLAMP, 90D WIRE INLET
angles				MM	scale	
X°±1°					X.XX±0.1	
dr	EVIN ZHONG		052314		dwg no	
enr	EVIN ZHONG		052314		sheet 1 of 1	
chr	HANKE FENG		052314		size	
appd	SHI JUN		052314		A4	
sheet index	revision	A		type CUSTOMER Drawing		
	sheet	1				