
HA12219NT

Audio Signal Processor for Cassette Deck

HITACHI

ADE-207-258A

2nd Edition
July 1998

Description

HA12219NT is silicon monolithic bipolar IC providing PB equalizer, REC equalizer system and each electronic control switch in one chip.

Functions

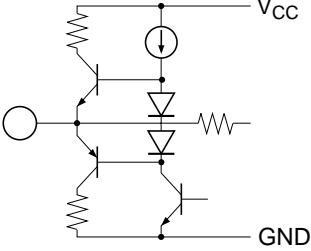
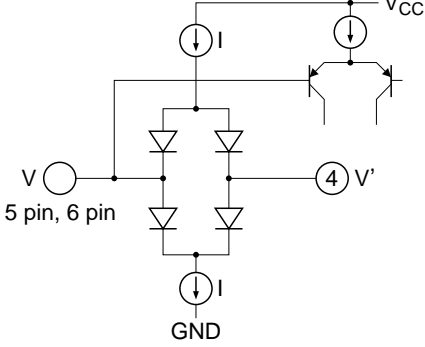
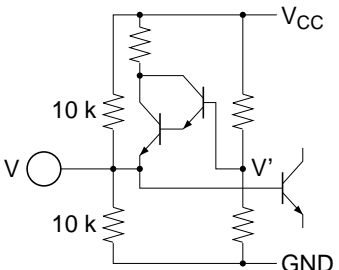
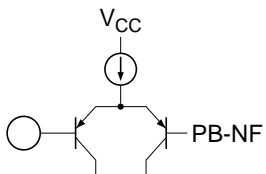
- PB equalizer × 2 channel
- REC equalizer × 2 channel
- Each electronic control switch to change REC/PB etc.
- REC MUTE
- REC head return switch

Features

- REC equalizer is very small number of external parts, built-in 2 types of frequency characteristics.
- PB equalizer circuit built-in.
- REC /PB are possible with TYPE I/II.
- Controllable from direct micro-computer output.
- Available to reduce substrate-area because of high integration and small external parts.

HA12219NT

Pin Description, Equivalent Circuit ($V_{CC} = 12\text{ V}$, $V_{ref} = 5.6\text{ V}$, $T_a = 25^\circ\text{C}$, No signal, The value in the table show typical value.)

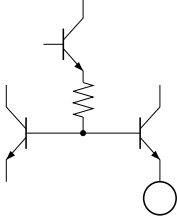
Pin No.	Pin Name	Note	Equivalent Circuit	Pin Description
1	V_{CC}	$V = V_{CC}$		V_{CC} pin
2	REC-OUT(L)	$V = V_{ref}$		REC-EQ output
3	REC-OUT(R)			
4	REC-RETURN	$V = V_{ref}$ $V' = V_{ref}$		REC return
5	PB-IN B(L)			PB B deck input
6	PB-IN B(R)			
7	VREF	$V = V_{ref}$ $V' = V_{CC} / 2$		Reference
8	PB-IN A(L)	$V = V_{ref}$		PB A deck input
9	PB-IN A(R)			

Pin Description, Equivalent Circuit ($V_{CC} = 12\text{ V}$, $V_{ref} = 5.6\text{ V}$, $T_a = 25^\circ\text{C}$, No signal, The value in the table show typical value.) (cont)

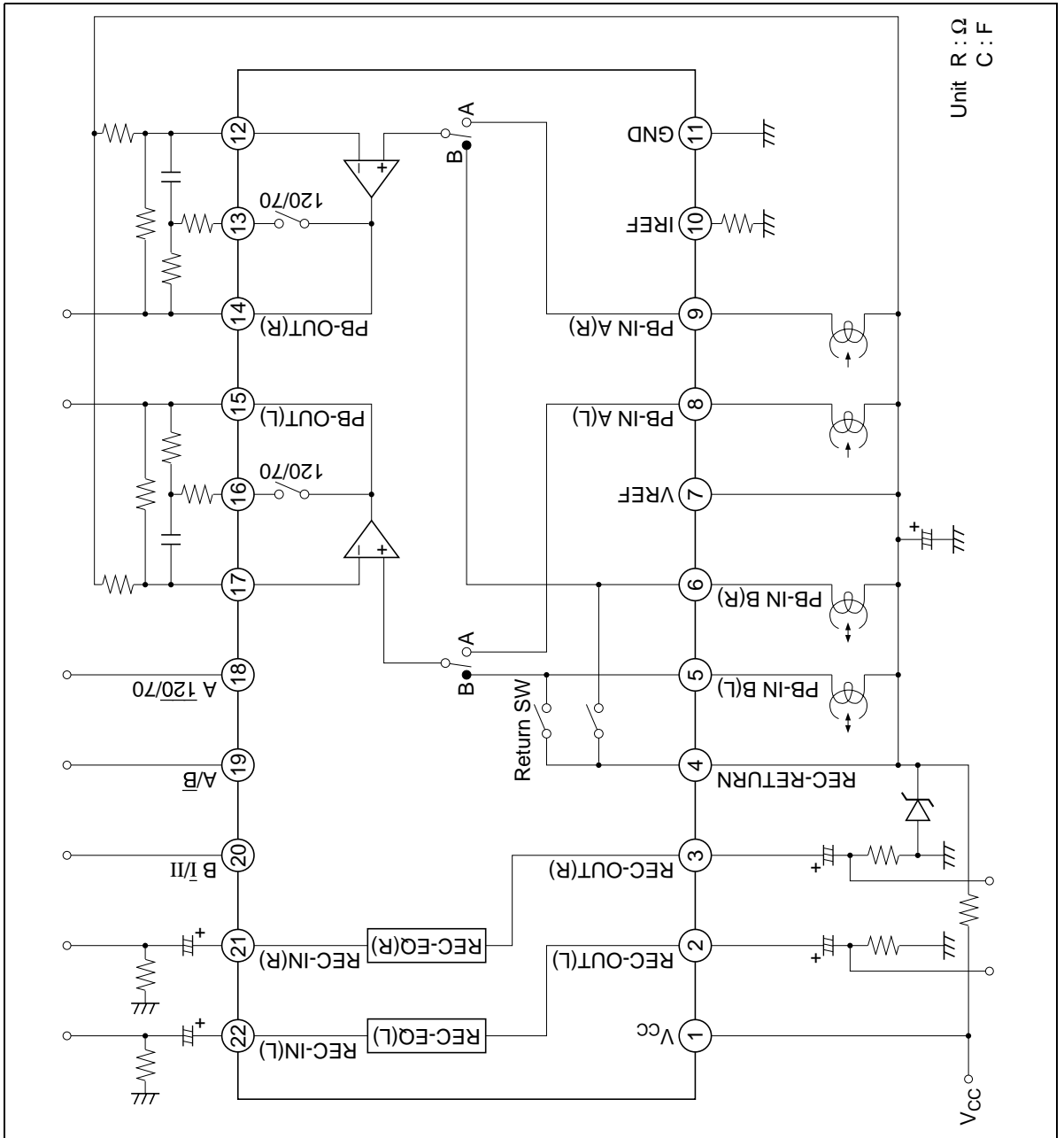
Pin No.	Pin Name	Note	Equivalent Circuit	Pin Description
12	PB-NF(R)	PB-IN = V_{ref}		PB-EQ feed back
17	PB-NF(L)			
13	PB-EQ(R)	PB-OUT = V_{ref}		NAB output
16	PB-EQ(L)			
21	REC-IN(R)	$V = V_{ref}$		REC-EQ input
22	REC-IN(L)			
14	PB-OUT(R)	$V = V_{ref}$		PB output
15	PB-OUT(L)			
18	A $\bar{I}0/70$	$I = 20\ \mu\text{A}$		Mode control input
19	A/ \bar{B}			
20	B \bar{I}/I			

HA12219NT

Pin Description, Equivalent Circuit ($V_{CC} = 12\text{ V}$, $V_{ref} = 5.6\text{ V}$, $T_a = 25^\circ\text{C}$, No signal, The value in the table show typical value.) (cont)

Pin No.	Pin Name	Note	Equivalent Circuit	Pin Description
10	IREF	$V = 1.2\text{ V}$		Equalizer reference current input
11	GND			GND pin

Block Diagram



HA12219NT

Parallel Data Format

Pin No.	Pin Name	Lo	Mid	Hi
18	A $\overline{120/70}$	*	—	*
19	A \overline{B}	B Return SW OFF REC Mute ON	A Return SW ON REC Mute ON	A Return SW ON REC Mute OFF
20	B $\overline{I/II}$	REC-EQ * TYPE I	—	REC-EQ * TYPE II

Note: PB-EQ 120/70 logic

A $\overline{120/70}$	B $\overline{I/II}$	A \overline{B}		
		Lo	Mid	Hi
Lo	Lo	120 μ	120 μ	120 μ
Lo	Hi	70 μ	120 μ	120 μ
Hi	Lo	120 μ	70 μ	70 μ
Hi	Hi	70 μ	70 μ	70 μ

Functional Description

Power Supply Range

HA12219NT is designed to operate on single supply, shown by table 1.

Table 1 Supply Voltage

Item	Power Supply Range
Single Supply	9.5 V to 15.0 V

Reference Voltage

As AC reference (V_{ref}) of this IC has not a current drivability, V_{ref} fluctuates by A/B switching of PB-EQ.

Provided it causes you anxiety, please supply 7 pin with approximate $1/2 V_{CC}$ voltage.

For example, a suitable circuit is shown by figure 1.

This IC has a capacitor charger for the V_{ref} , indicated to the pin interface circuit figure.

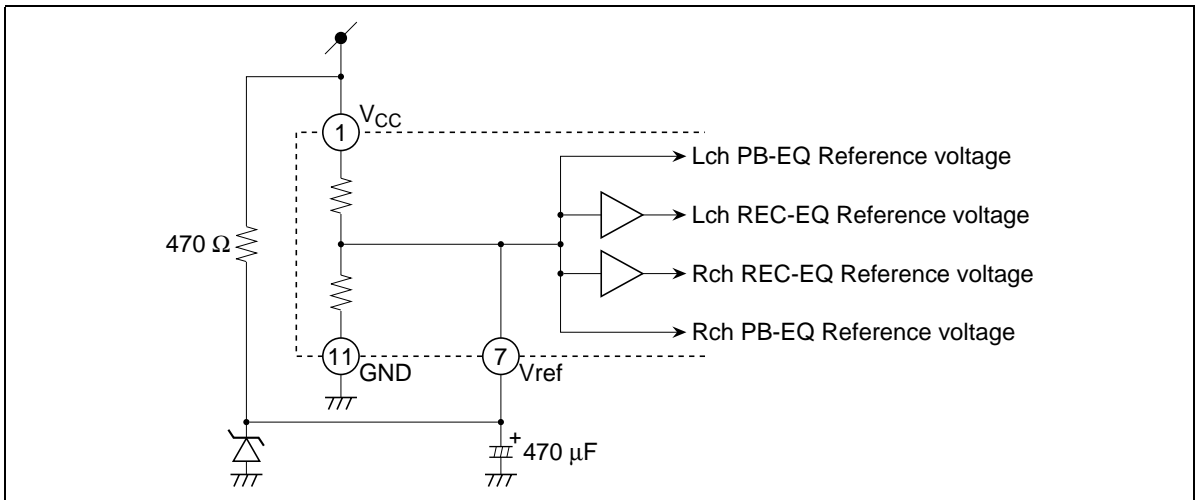


Figure 1 Reference Voltage Circuit

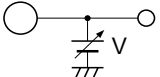
HA12219NT

Operating Mode Control

HA12219NT provides fully electronic switching circuits. And each operating mode control is controlled by parallel data (DC voltage).

Table 2 shows the control voltage of each control input pin.

Table 2 Control Voltage (Vth)

Pin No.	Lo	Mid	Hi	Unit	Test Condition
18, 20	0.0 to 0.5	—	2.4 to V_{cc}	V	Input Pin Measure 
19	0.0 to 0.5	1.2 to 1.8	2.4 to V_{cc}	V	

- Note:
- Each pin is pulled down with 100 k Ω internal resistor. 16 to 18 pins are low-level when each pin is open.
 - Over shoot level and under shoot level of input signal must be the standardized.
(High: Less than V_{cc} , Low: More than -0.2 V)

Block Diagram

Figure 2 shows the block diagram.

As this IC is built-in REC return switch, the configuration system can be simple system using a few external component and the REC/PB head.

About these logics, please look at the Parallel Data Format.

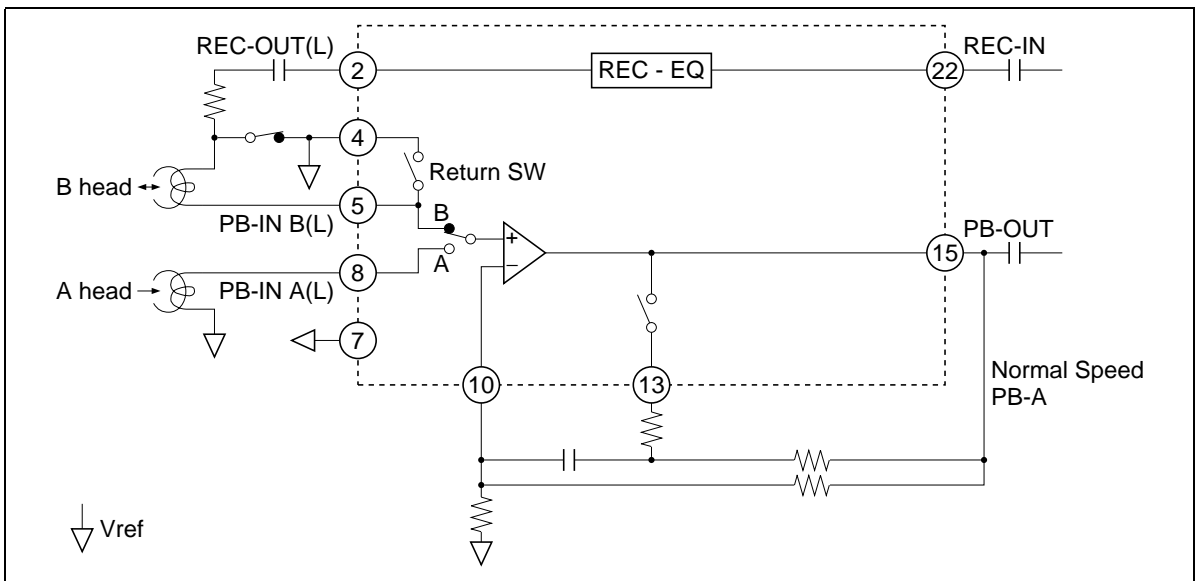


Figure 2 Block Diagram (Lch)

Level Block Diagram

The gain establishment of PB-EQ considers PB output level
 {(external AMP+PB AMP <HA12136A>) = 580 mV (Dolby Level)} like figure 3 as the target.

Regarding REC-EQ adjust the gain in front of input to this IC.

Similarly to PB, it consider Dolby level as a standard. And R1 needs the value more than 5.6 kΩ.

Because mode establishment resistances are built-in, REC-EQ frequency characteristics are respectively fixed value.

In case the change of the frequency characteristics are necessary, please inquire the responsible agent because the adjustment of resistors is necessary.

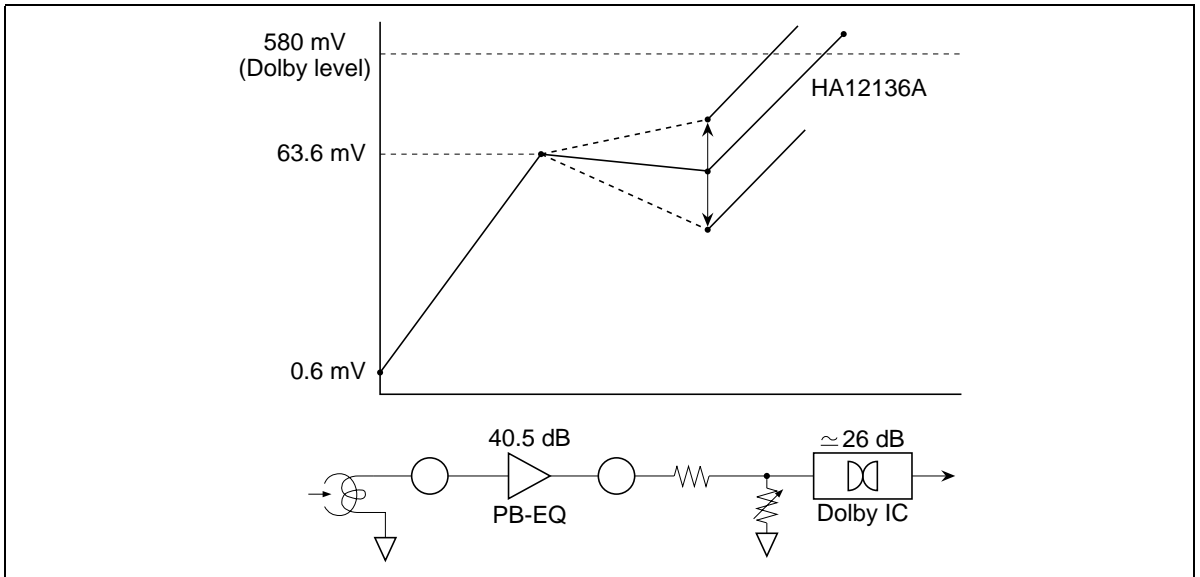


Figure 3 PB Level Block Diagram (120 μs, 1 kHz)

HA12219NT

Absolute Maximum Ratings (Ta = 25°C)

Item	Symbol	Rating	Unit	Note
Maximum supply voltage	V _{CC} max	16	V	
Power dissipation	P _T	500	mW	Ta ≤ 75°C
Operating temperature	T _{opr}	-40 to +75	°C	
Storage temperature	T _{stg}	-55 to +125	°C	
Operating voltage	V _{opr}	9.5 to 15	V	

Note: HA12219NT operates on single supply voltage.

Electrical Characteristics (Ta = 25°C, V_{CC} = 12 V, V_{ref} = 5.6 V, PBIN standard level = 0.6 mVrms at 1 kHz)

Item	Symbol	Min	Typ	Max	Unit	Test Condition					Application Terminal			
						IC Condition		f _{in} (Hz)	V _{in} (mVrms)	Other	Input		Output	
						A/B	B //II A				120/70	R	L	R
Quiescent current	I _Q	—	23.1	32.7	mA	A	I	70	—	No signal			1	
Logical threshold	V _{IL}	-0.2	—	0.5	V	—	—	—	—	—			18, 20	
	V _{IM}	1.2	—	1.8	V	—	—	—	—	—			19	
	V _{IH}	2.4	—	V _{CC}	V	—	—	—	—	—			18, 20	
	PB-REC crosstalk	CT PB/REC(1) CT PB/REC(2)	50.0 60.0	60.0 70.0	—	dB	A/B	I	120	1k	*1 REC-EQ → PB-EQ PB-EQ → REC-EQ	21	22 14	15
PB-EQ gain	G _V PB(1)	37.5	40.5	43.5	dB	A/B	I	120	1k	0.6	9/6	8/5	14 15	
	G _V PB(2)	33.2	36.2	39.2	dB	A/B	I	120	10k	0.6	9/6	8/5	14 15	
	G _V PB(3)	29.0	32.0	35.0	dB	A/B	II	70	10k	0.6	9/6	8/5	14 15	
PB-EQ maximum output *2	V _{omax} PB	0.3	0.6	—	Vrms	A/B	I	120	1k	—	9/6	8/5	14 15	
PB-EQ THD	THD PB	—	0.1	0.5	%	A/B	I	120	1k	0.6	9/6	8/5	14 15	
PB-EQ noise voltage	V _N PB	—	90.0	180.0	μVrms	A/B	I	120	—	—	9/6	8/5	14 15	
	CT R/L(1)	50.0	60.0	—	dB	A/B	I	120	1k	*1	8/5	9/6	14 15	
PB-EQ crosstalk	CT A/B	60.0	70.0	—	dB	A	I	120	1k	*1	6	5 14	15	
						B					9	8		

Note: 1. Large level without clipping.
2. V_{CC} = 9.5 V, V_{ref} = 4.75 V

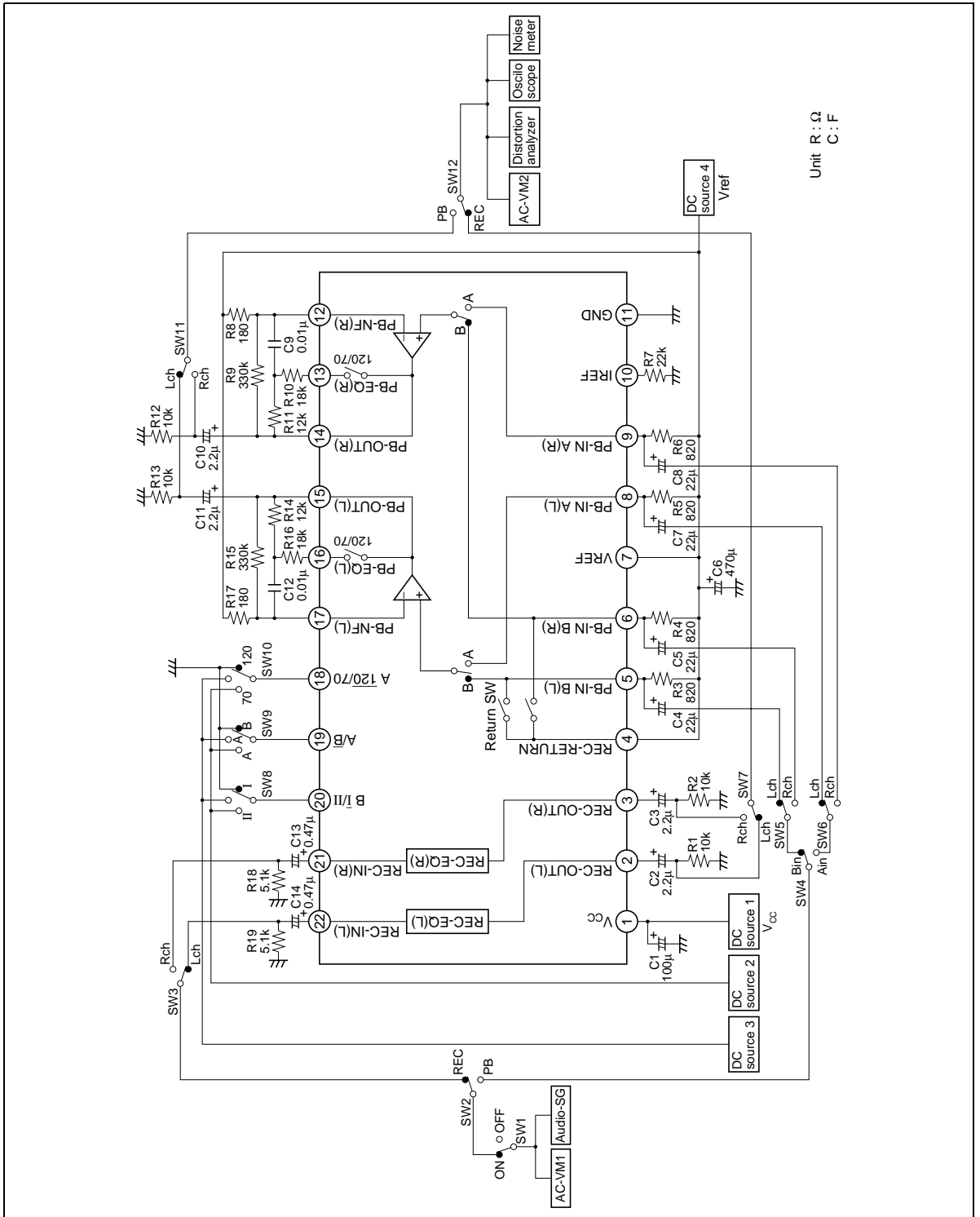
HA12219NT

Electrical Characteristics ($T_a = 25^\circ\text{C}$, $V_{CC} = 12\text{ V}$, $V_{ref} = 5.6\text{ V}$,
EQIN standard level = 20 dBs = 77.5 mVrms = 0 dB) (cont)

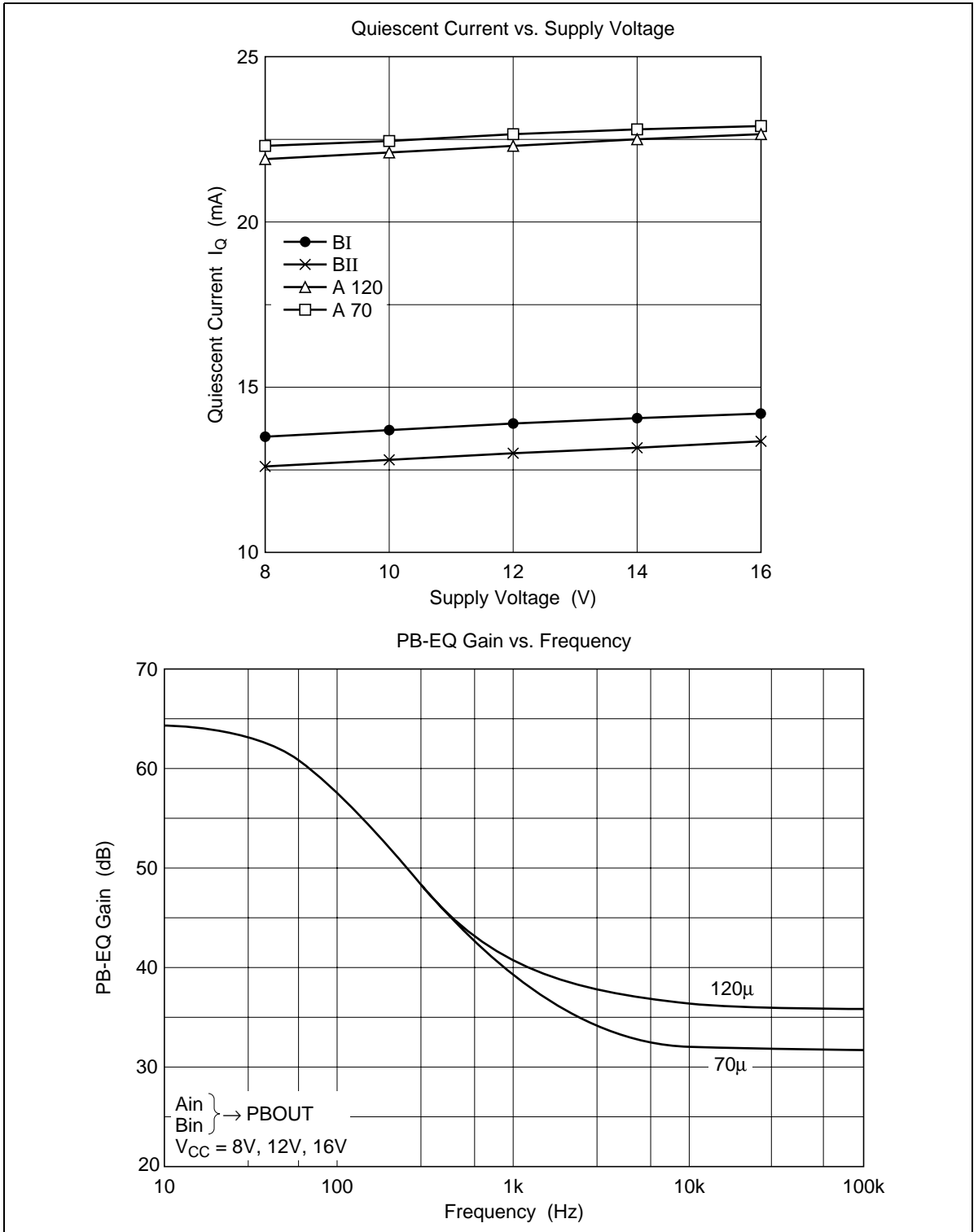
Item	Symbol	Min	Typ	Max	Unit	Test Condition						Application Terminal			
						IC Condition			Vin (mVrms)	fin (Hz)	Other	Input		Output	
						A/B	B //IIA	120/70				R	L	R	L
REC-EQ frequency response TYPE I	G_V REC-NN1	18.5	20.0	21.5	dB	A	I	120	1k	7.75		21	22	3	2
	G_V REC-NN2	19.4	21.4	23.4	dB	A	I	120	5k	7.75		21	22	3	2
	G_V REC-NN3	29.1	32.1	35.1	dB	A	I	120	12.5k	7.75		21	22	3	2
REC-EQ frequency response TYPE II	G_V REC-NC1	22.3	23.8	25.3	dB	A	II	120	1k	7.75		21	22	3	2
	G_V REC-NC2	24.7	26.7	28.7	dB	A	II	120	5k	7.75		21	22	3	2
	G_V REC-NC3	33.6	36.6	39.6	dB	A	II	120	12.5k	7.75		21	22	3	2
REC-EQ channel separation	CT R/L(2)	61.0	70.0	—	dB	A	I	120	1k	*1		21	22	3	2
REC-MUTE attenuation	R-MUTE ATT	66.0	76.0	—	dB	MID	I	120	1k	*1		21	22	3	2
REC-EQ maximum output *2	Vomax REC	1.2	1.8	—	Vrms	A	I	120	1k	—	THD=1%	21	22	3	2
REC-EQ THD	THD REC	—	0.2	0.5	%	A	I	120	1k	77.5		21	22	3	2
REC-EQ S/N	S/N REC	61.0	64.0	—	dB	A	I	120	1k	—	Rg=5.1k Ω , A-WTG	21	22	3	2

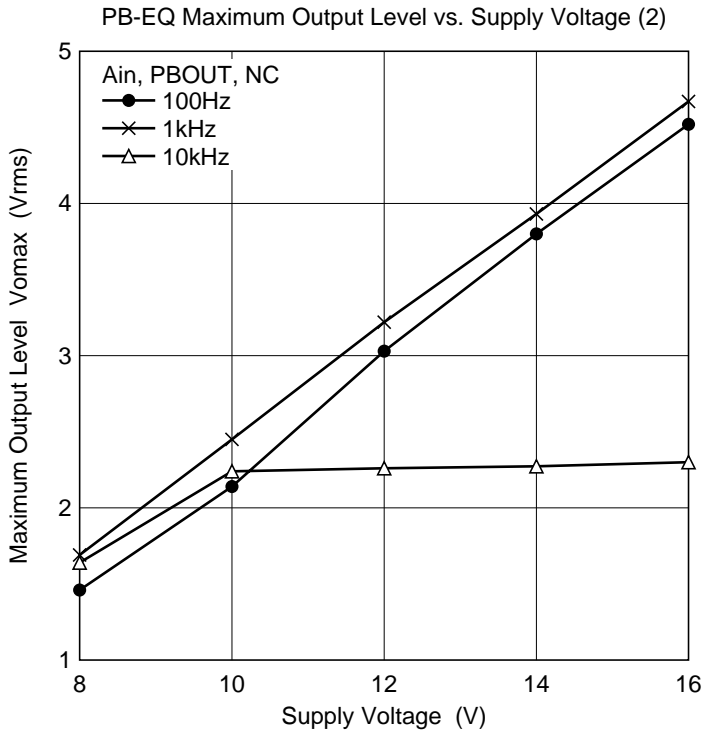
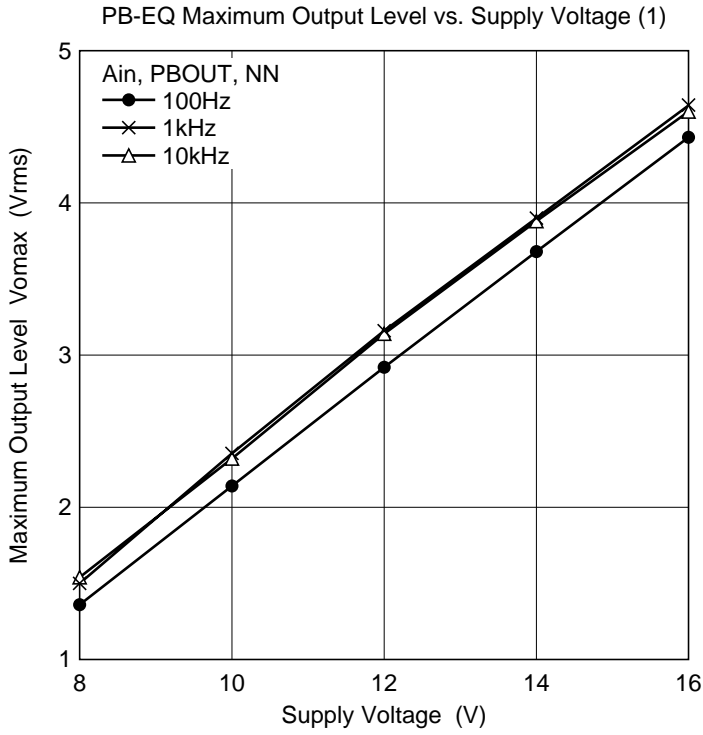
Note: 1. Large level without clipping
2. $V_{CC} = 9.5\text{ V}$, $V_{ref} = 4.75\text{ V}$

Test Circuit

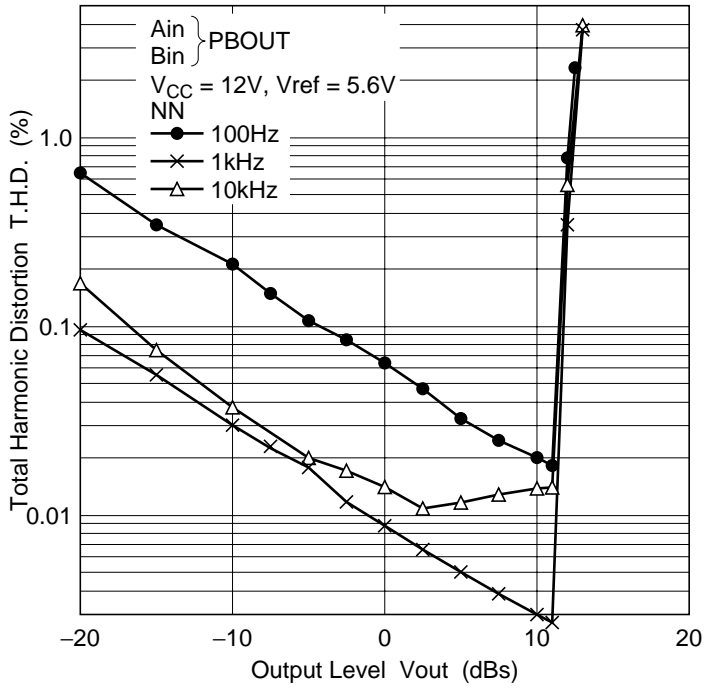


Characteristic Curves

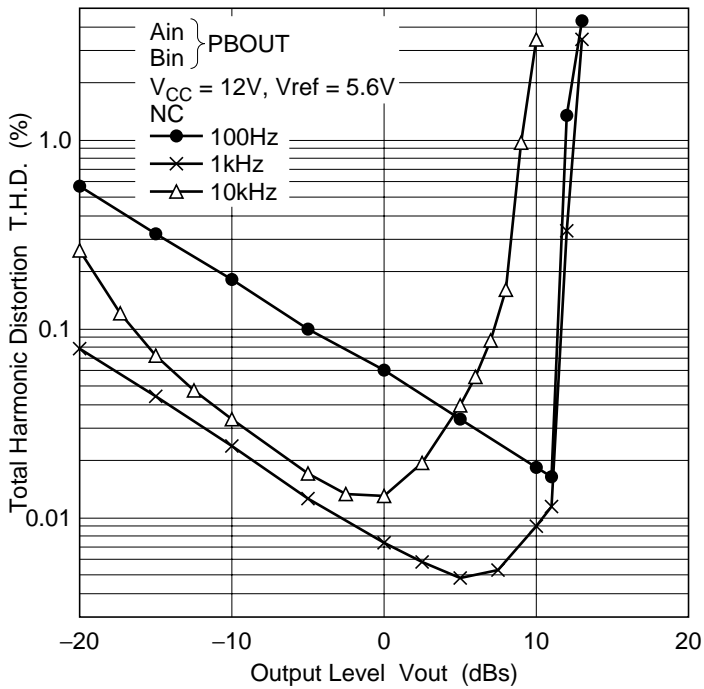




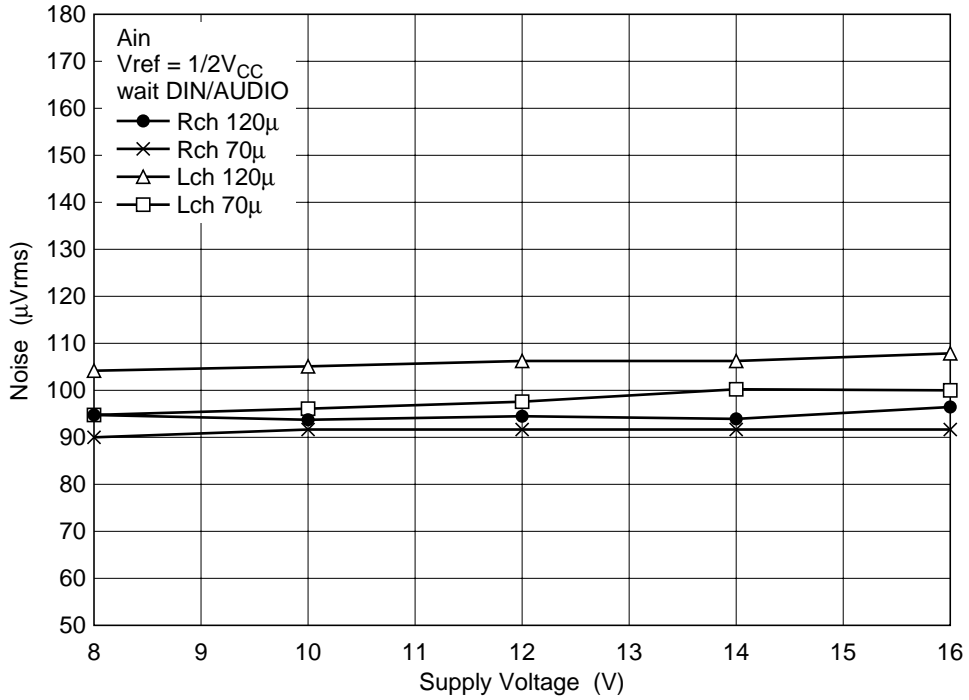
PB-EQ Total Harmonic Distortion vs. Output Level (1)



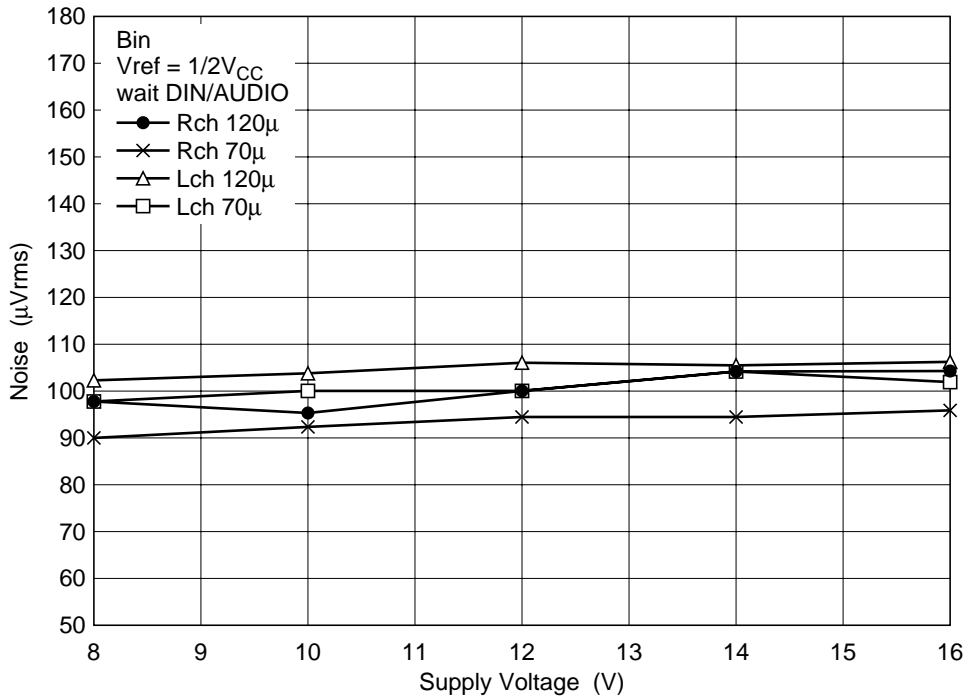
PB-EQ Total Harmonic Distortion vs. Output Level (2)



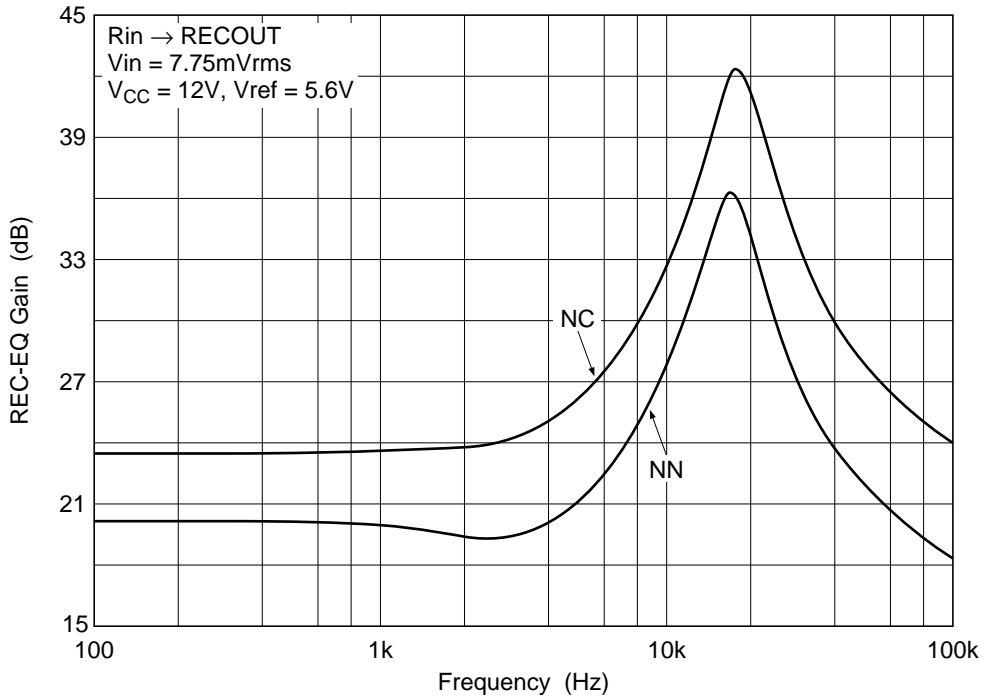
PB-EQ Noise Level vs. Supply Voltage (1)



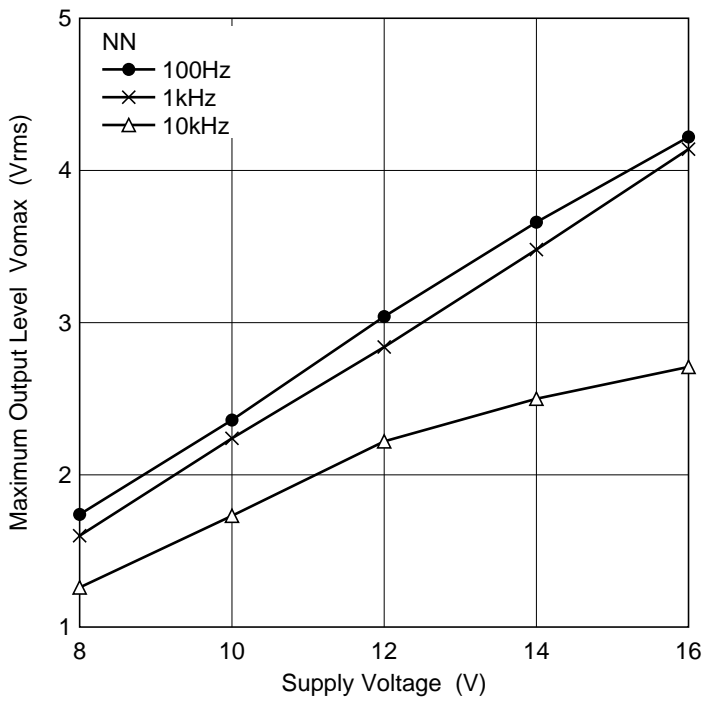
PB-EQ Noise Level vs. Supply Voltage (2)

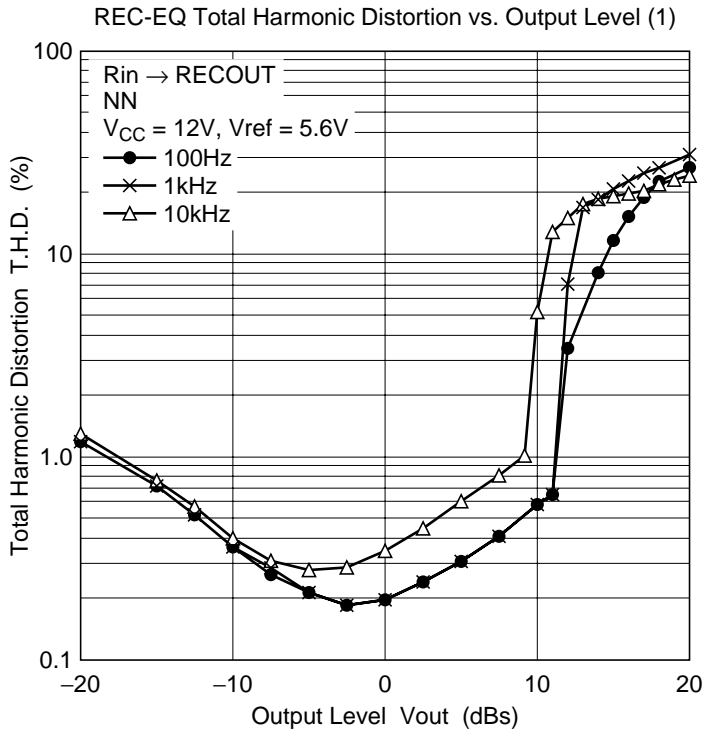
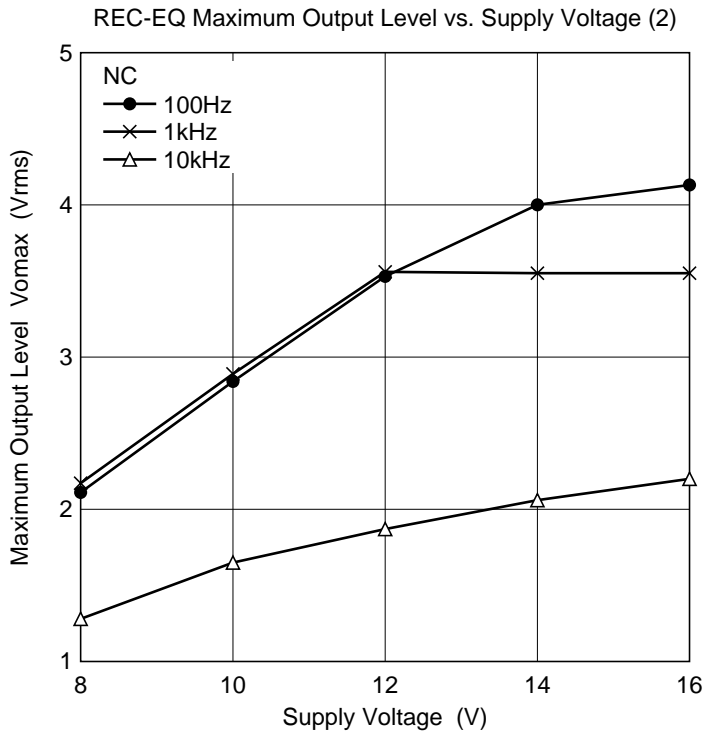


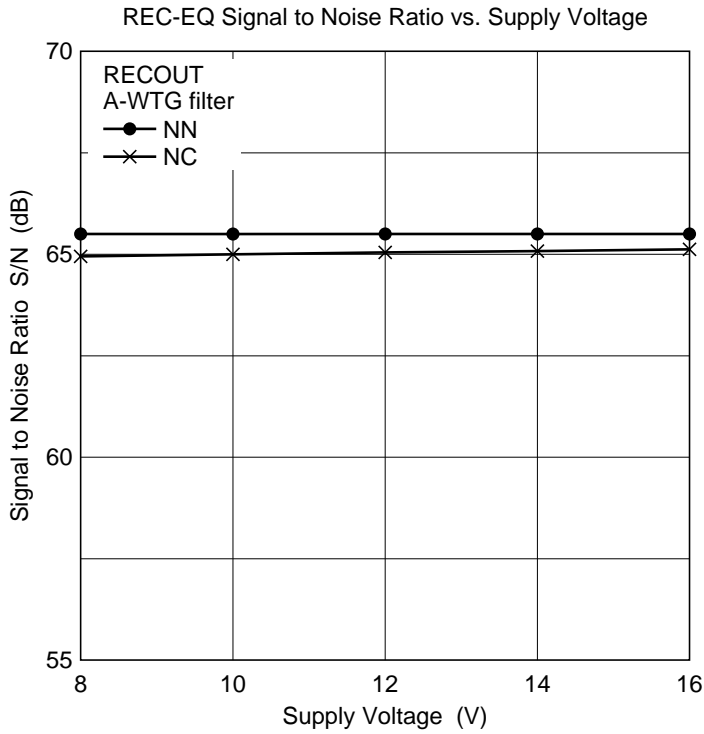
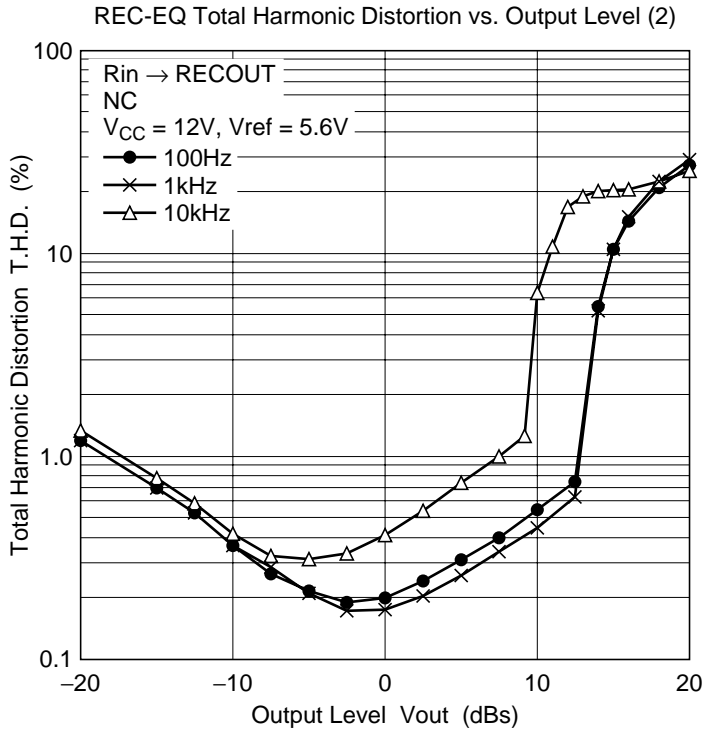
REC-EQ Gain vs. Frequency



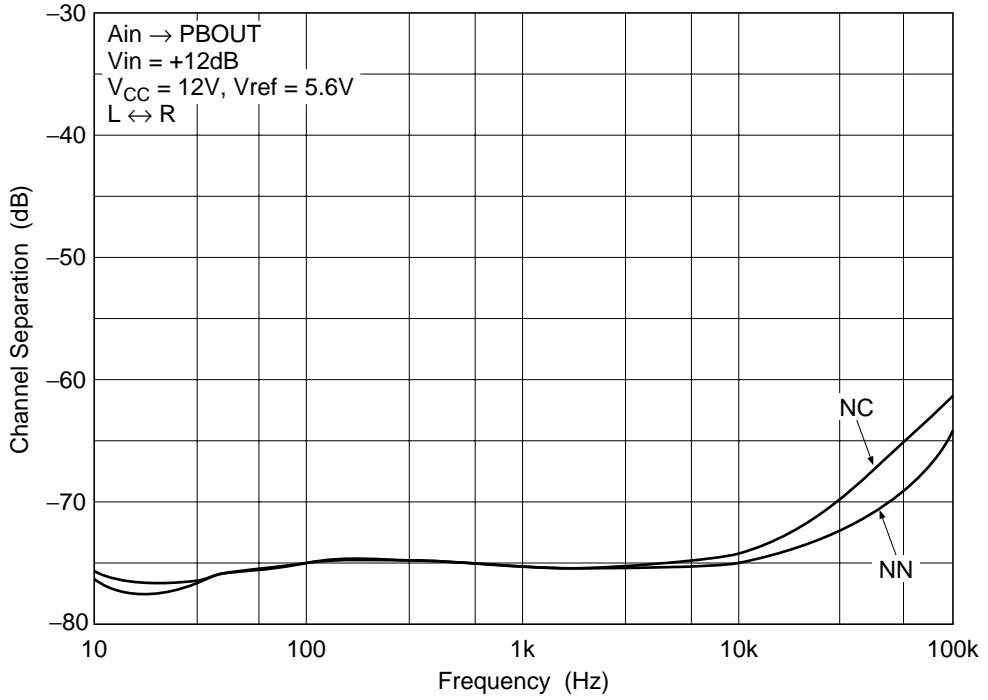
REC-EQ Maximum Output Level vs. Supply Voltage (1)



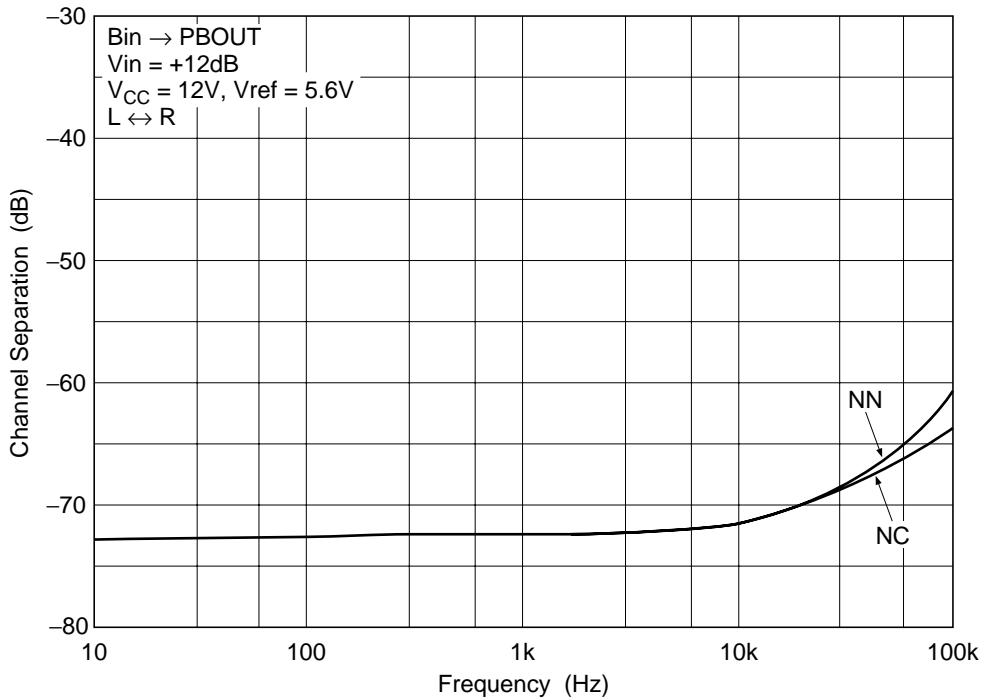


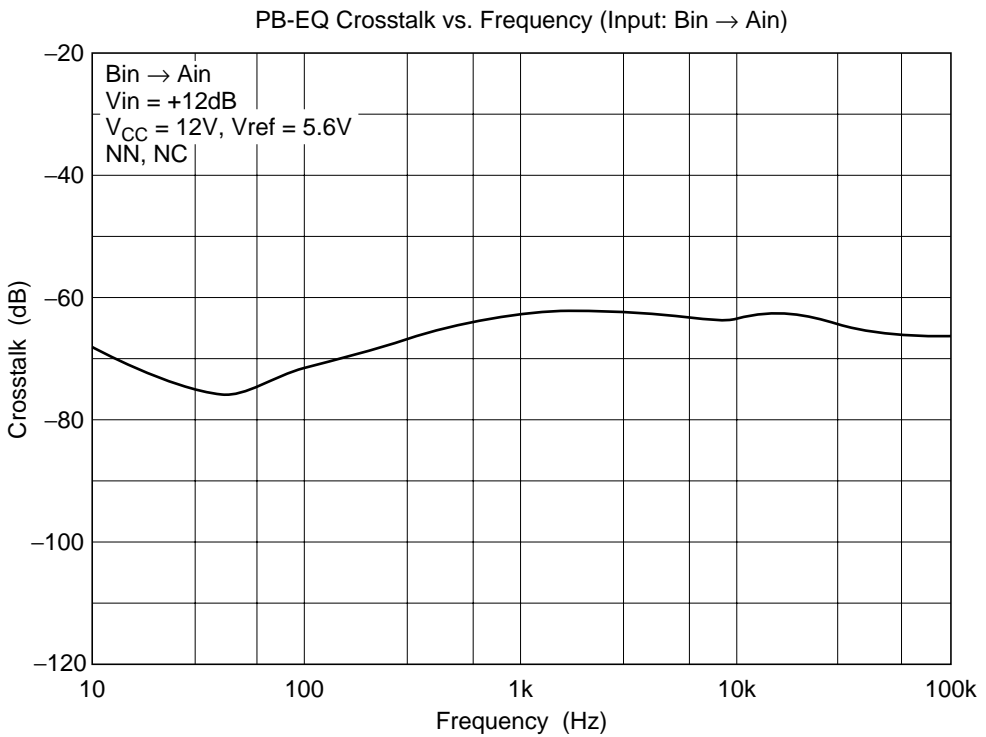
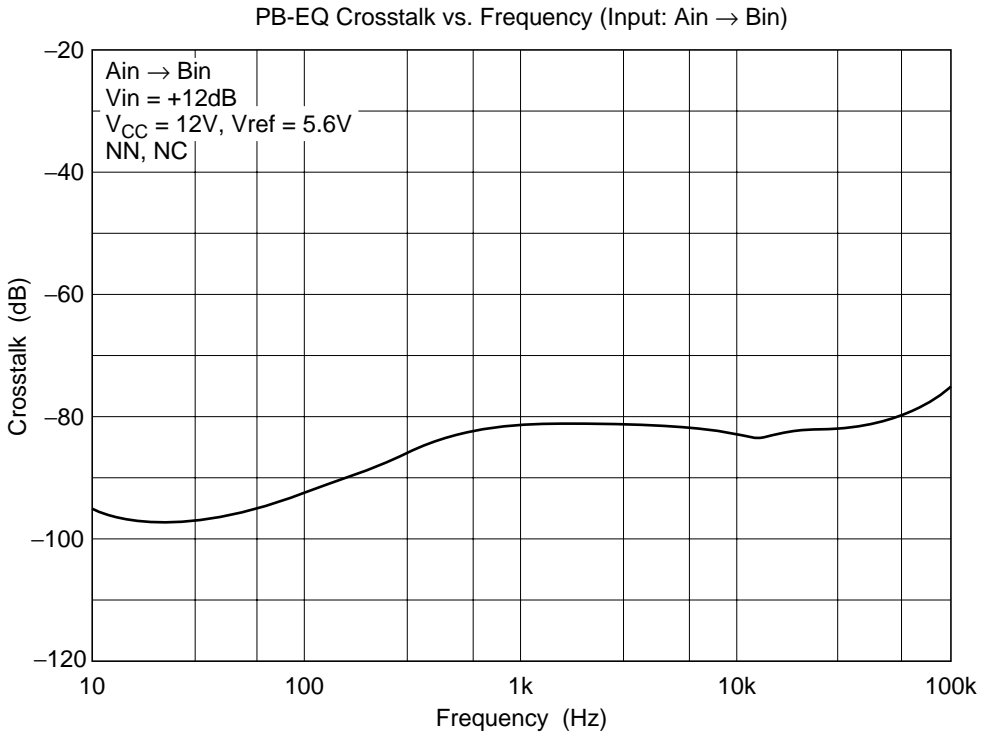


PB-EQ Channel Separation vs. Frequency (L ↔ R) (1)

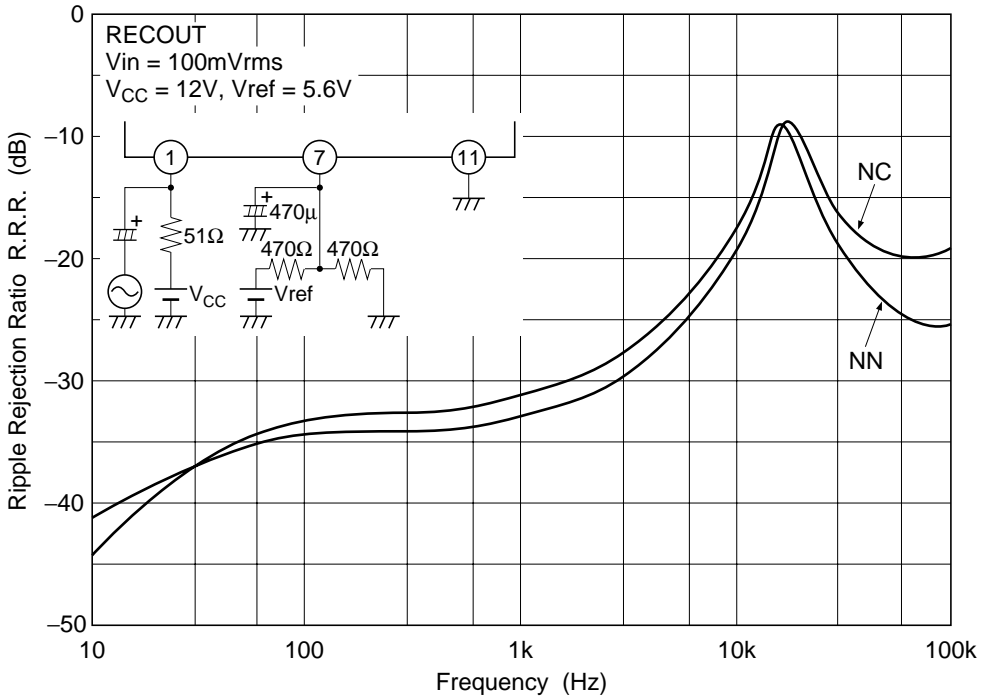


PB-EQ Channel Separation vs. Frequency (L ↔ R) (2)

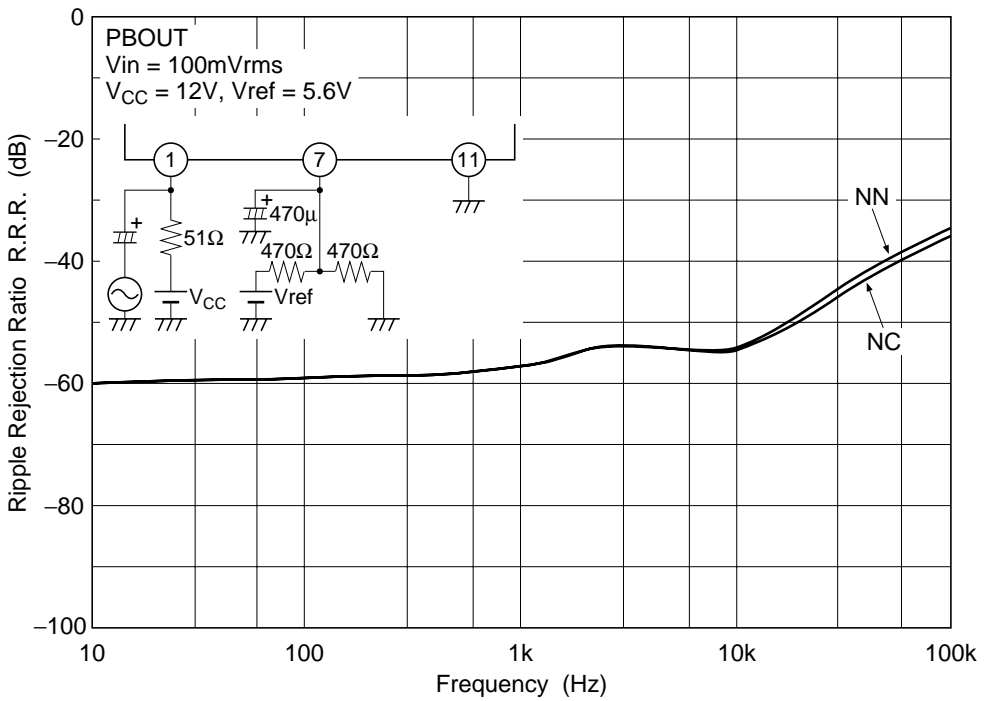




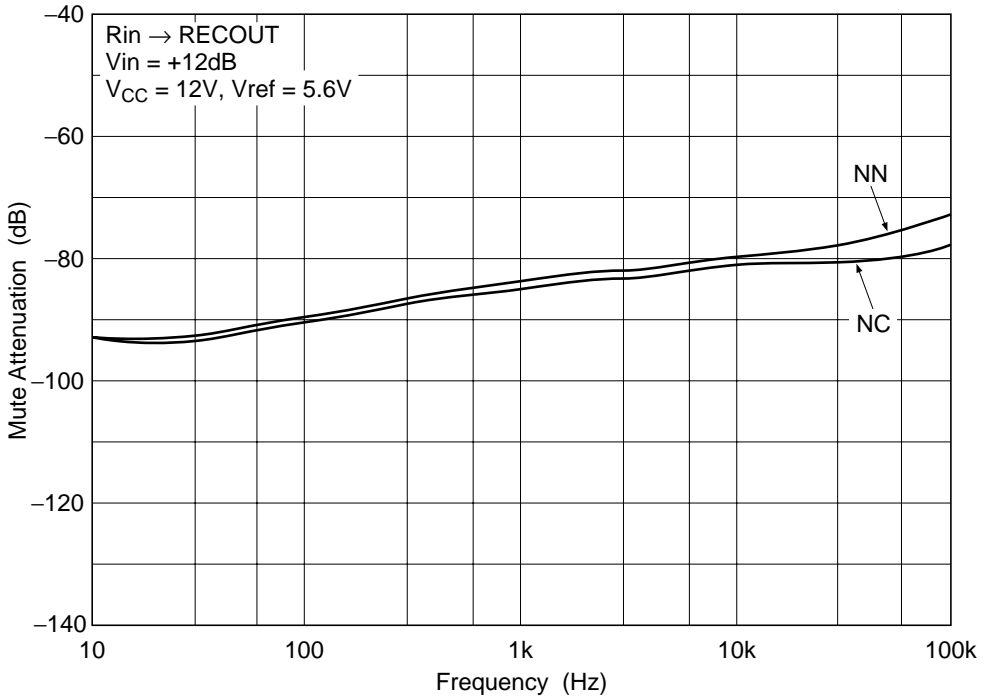
Ripple Rejection Ratio vs. Frequency (REC)



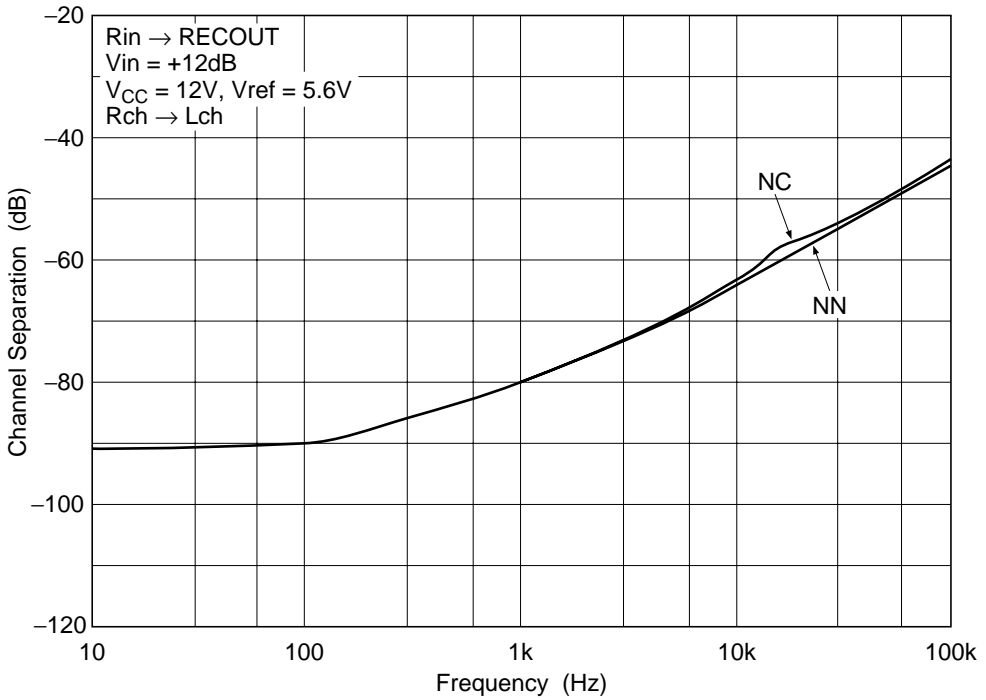
Ripple Rejection Ratio vs. Frequency (PB)

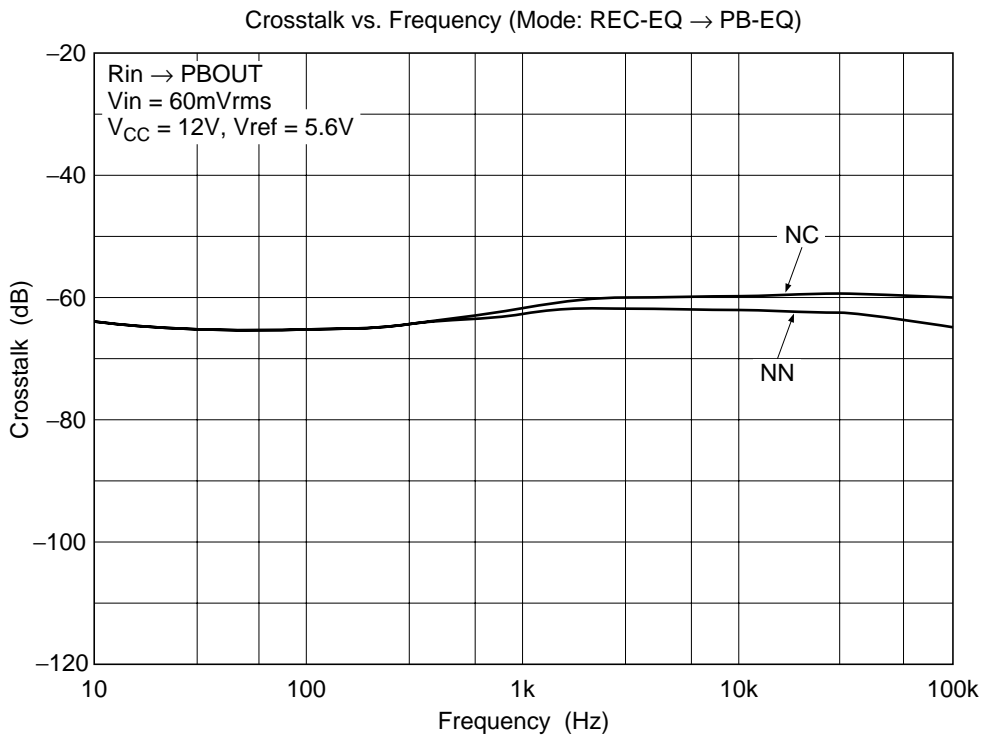
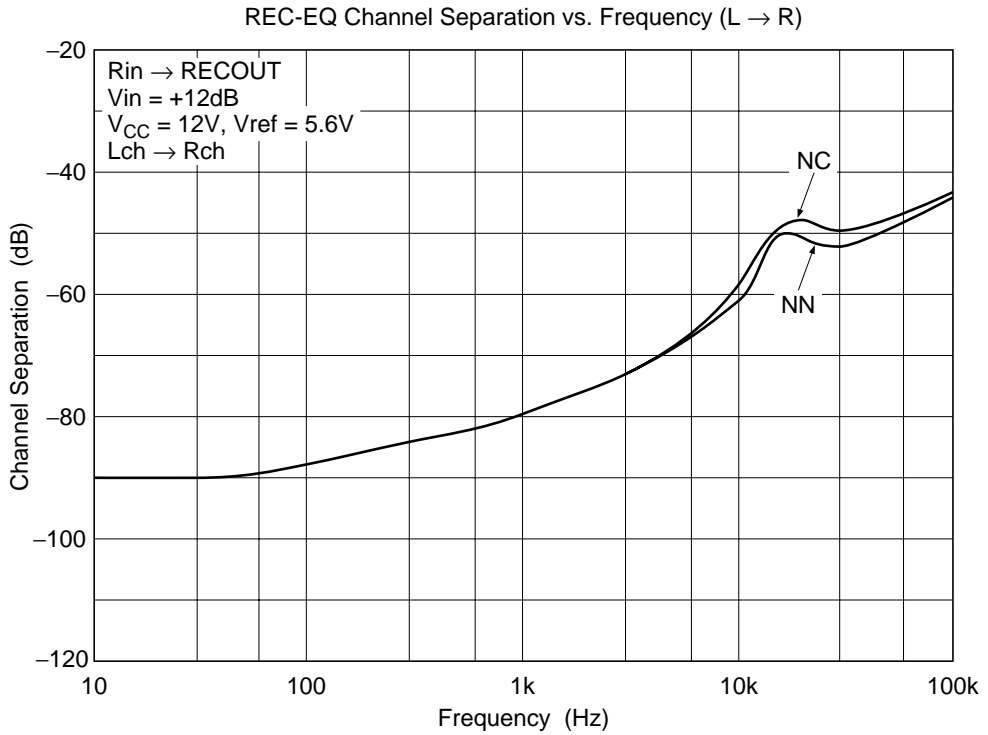


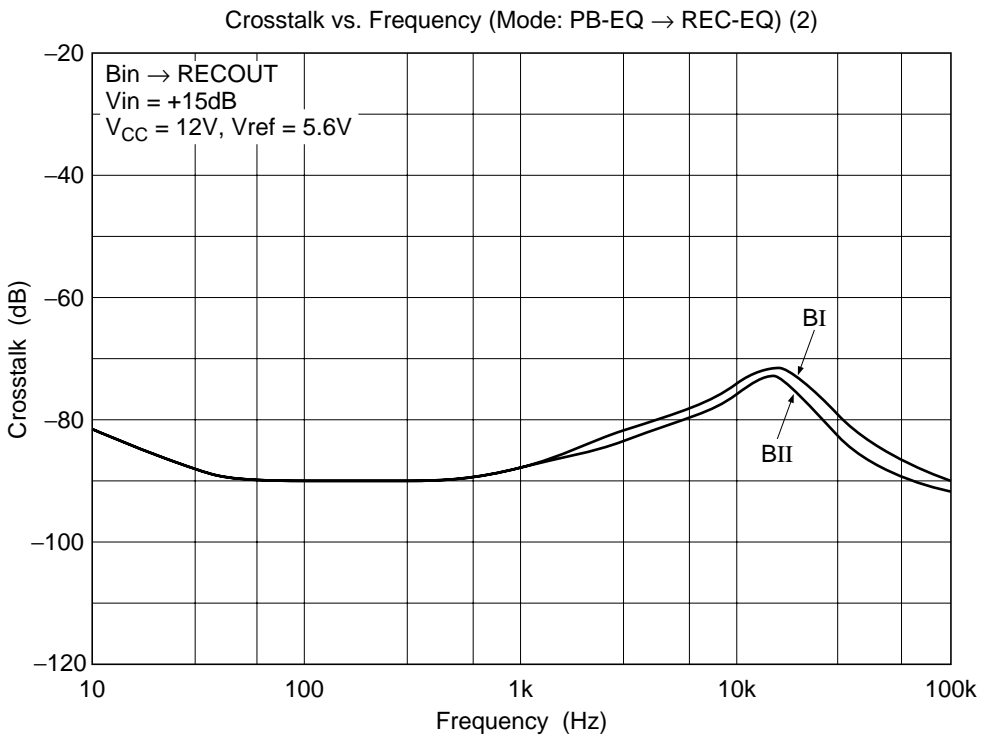
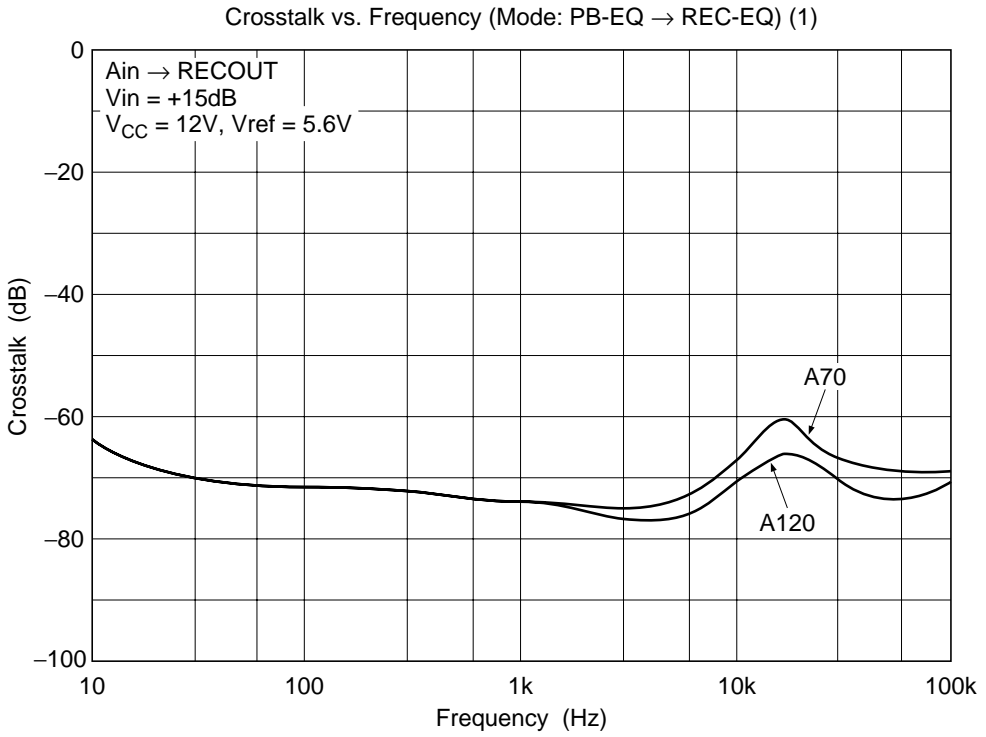
Mute Attenuation vs. Frequency



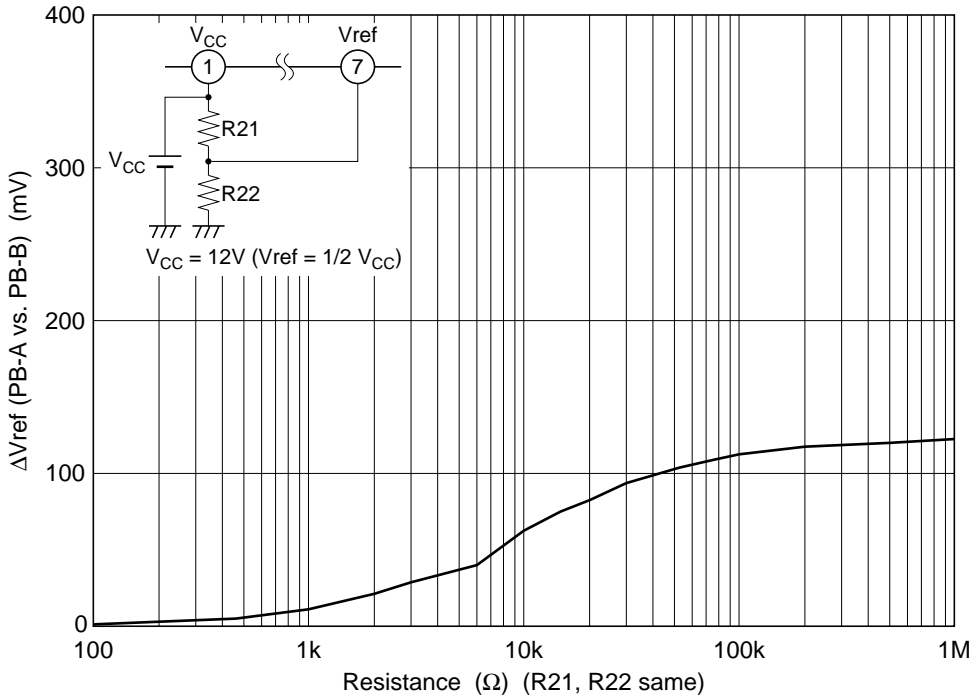
REC-EQ Channel Separation vs. Frequency (R → L)



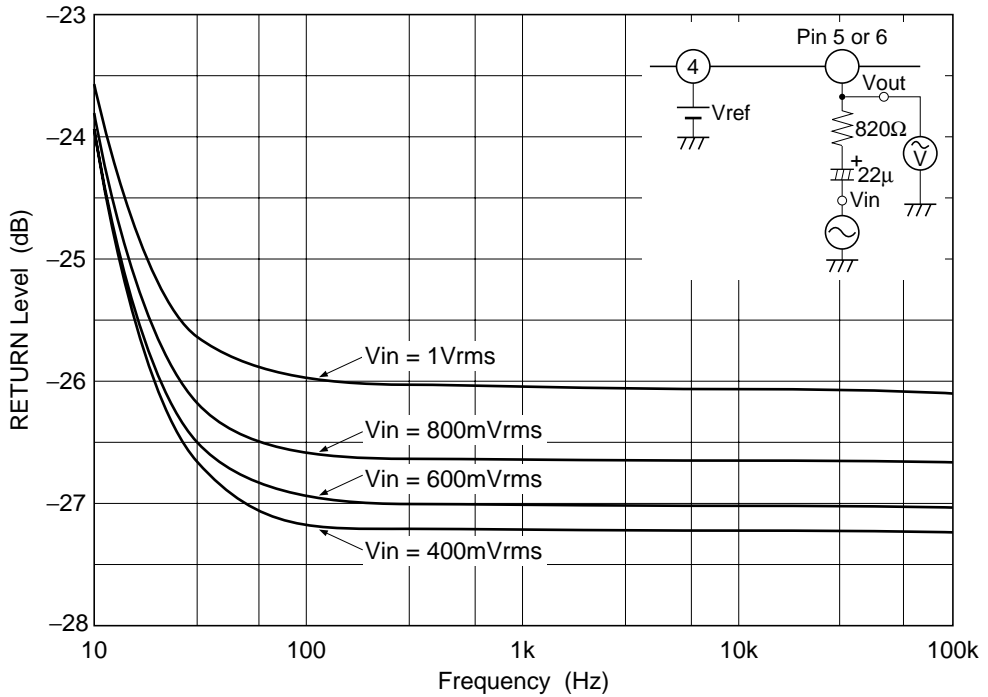




Altered Reference Voltage vs. External Resistance



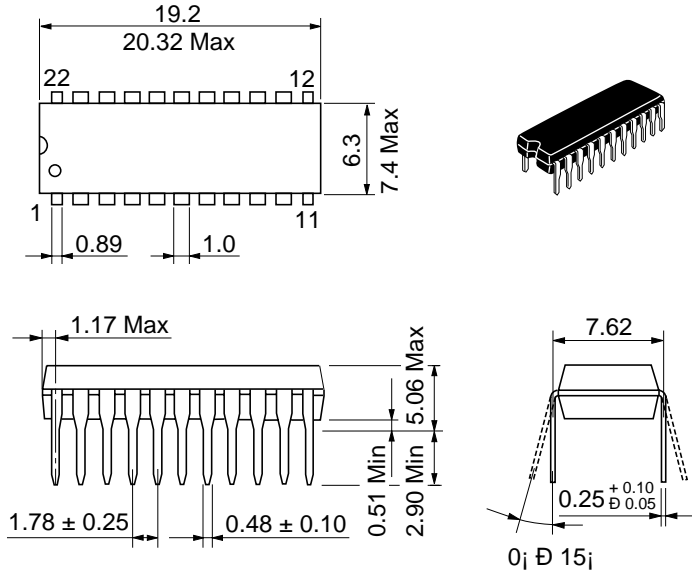
RETURN Level vs. Frequency



HA12219NT

Package Dimensions

Unit: mm



Hitachi Code	DP-22NS
JEDEC	Ñ
EIAJ	Conforms
Weight (reference value)	0.90 g

Disclaimer

1. Hitachi neither warrants nor grants licenses of any rights of Hitachi's or any third party's patent, copyright, trademark, or other intellectual property rights for information contained in this document. Hitachi bears no responsibility for problems that may arise with third party's rights, including intellectual property rights, in connection with use of the information contained in this document.
2. Products and product specifications may be subject to change without notice. Confirm that you have received the latest product standards or specifications before final design, purchase or use.
3. Hitachi makes every attempt to ensure that its products are of high quality and reliability. However, contact Hitachi's sales office before using the product in an application that demands especially high quality and reliability or where its failure or malfunction may directly threaten human life or cause risk of bodily injury, such as aerospace, aeronautics, nuclear power, combustion control, transportation, traffic, safety equipment or medical equipment for life support.
4. Design your application so that the product is used within the ranges guaranteed by Hitachi particularly for maximum rating, operating supply voltage range, heat radiation characteristics, installation conditions and other characteristics. Hitachi bears no responsibility for failure or damage when used beyond the guaranteed ranges. Even within the guaranteed ranges, consider normally foreseeable failure rates or failure modes in semiconductor devices and employ systemic measures such as fail-safes, so that the equipment incorporating Hitachi product does not cause bodily injury, fire or other consequential damage due to operation of the Hitachi product.
5. This product is not designed to be radiation resistant.
6. No one is permitted to reproduce or duplicate, in any form, the whole or part of this document without written approval from Hitachi.
7. Contact Hitachi's sales office for any questions regarding this document or Hitachi semiconductor products.

Sales Offices

HITACHI

Hitachi, Ltd.

Semiconductor & Integrated Circuits.
Nippon Bldg., 2-6-2, Ohte-machi, Chiyoda-ku, Tokyo 100-0004, Japan
Tel: Tokyo (03) 3270-2111 Fax: (03) 3270-5109

URL NorthAmerica : <http://semiconductor.hitachi.com/>
 Europe : <http://www.hitachi-eu.com/hel/ecg>
 Asia : <http://sicapac.hitachi-asia.com>
 Japan : <http://www.hitachi.co.jp/Sicd/indx.htm>

For further information write to:

Hitachi Semiconductor
(America) Inc.
179 East Tasman Drive,
San Jose, CA 95134
Tel: <1> (408) 433-1990
Fax: <1> (408) 433-0223

Hitachi Europe GmbH
Electronic Components Group
Dornacher Straße 3
D-85622 Feldkirchen, Munich
Germany
Tel: <49> (89) 9 9180-0
Fax: <49> (89) 9 29 30 00

Hitachi Europe Ltd.
Electronic Components Group.
Whitebrook Park
Lower Cookham Road
Maidenhead
Berkshire SL6 8YA, United Kingdom
Tel: <44> (1628) 585000
Fax: <44> (1628) 585160

Hitachi Asia Ltd.
Hitachi Tower
16 Collyer Quay #20-00,
Singapore 049318
Tel : <65>-538-6533/538-8577
Fax : <65>-538-6933/538-3877
URL : <http://www.hitachi.com.sg>

Hitachi Asia Ltd.
(Taipei Branch Office)
4/F, No. 167, Tun Hwa North Road,
Hung-Kuo Building,
Taipei (105), Taiwan
Tel : <886>-(2)-2718-3666
Fax : <886>-(2)-2718-8180
Telex : 23222 HAS-TP
URL : <http://www.hitachi.com.tw>

Hitachi Asia (Hong Kong) Ltd.
Group III (Electronic Components)
7/F., North Tower,
World Finance Centre,
Harbour City, Canton Road
Tsim Sha Tsui, Kowloon,
Hong Kong
Tel : <852>-(2)-735-9218
Fax : <852>-(2)-730-0281
URL : <http://www.hitachi.com.hk>

Copyright © Hitachi, Ltd., 2000. All rights reserved. Printed in Japan.
Colophon 2.0