

## Model: HA55

Closed loop,PCB welding type;  
Detect DC,AC and pulse current

### Technical indicators:

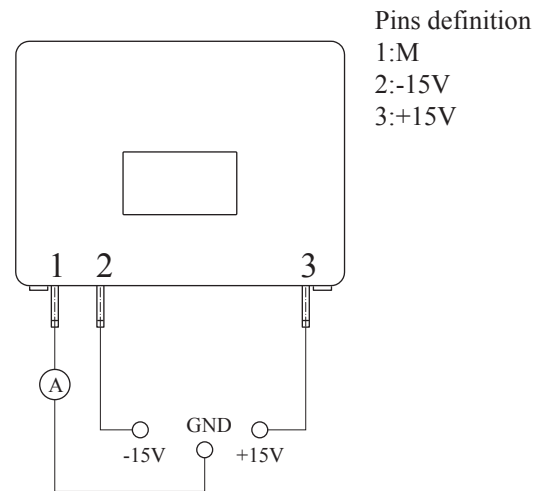
- Flame resistance: UL94-V0
- Working temperature: -10~+70°C
- Storage temperature: -40~+85°C
- Bandwidth: DC~150kHz
- Dielectric strength: 2.5KV 50Hz 1min



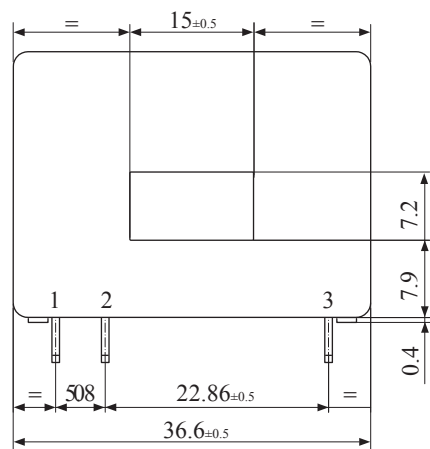
### Electrical parameters:

$I_p$	Rated input	$\pm 50$	A
$I_{PM}$	Input measured range	$\pm 75$	A
$I_{OUT}$	Rated output	$\pm 50$	mA
X	Accuracy	0.5	%
$\epsilon_L$	Linearity	$< 0.1$	%
$V_C$	Supply voltage( $\pm 5\%$ )	$\pm 15$	V
$I_C$	Current consumption	$\pm 10$	mA+Im
$R_L$	Load impedance	160	$\Omega$
$I_{OE}$	Zero offsetTA=25°C	$\leq \pm 0.3$	mA
$T_R$	Response time	$< 1$	$\mu s$
N.W	Weight	17	g

### Connection Diagram:

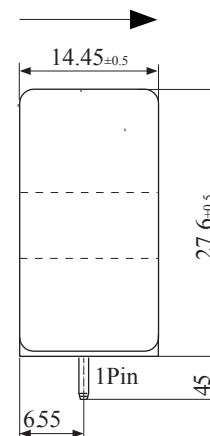


### Dimensions ( in mm ) :



Front view

current direction



Side view