



CONNOR-WINFIELD CORPORATION

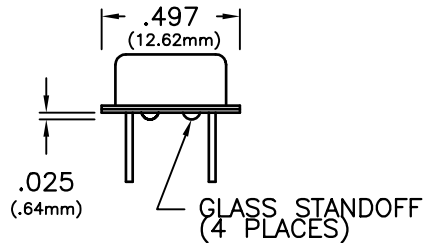
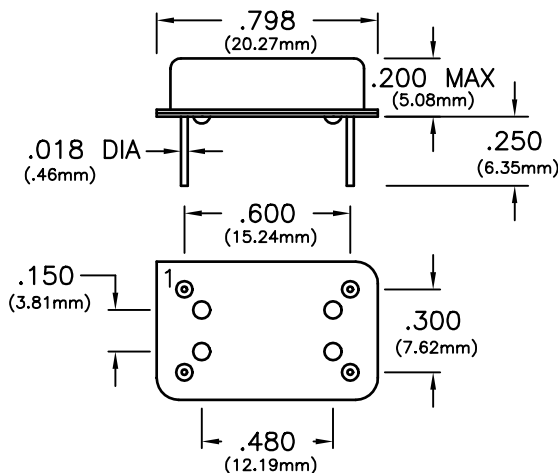
AURORA, IL. 60505
 PHONE (630) 851-4722
 FAX (630) 851-5040

14 PIN DIP HCMOS

SPECIFICATIONS	HC13R8	HC14R8	HC15R8	HC16R8	
Frequency Range	1MHz to 80MHz				
Frequency Stability	±25ppm	±50ppm	±100ppm	±100ppm	
	(Inclusive of calibration tolerance at 25°C, operating temperature range, input voltage change, load change, aging, shock and vibration)				
Temperature Range	0°C to +70°C	-25°C to +75°C	0°C to +70°C	-40°C to +85°C	
Output	Waveform	HCMOS Squarewave			
	Load	15pF			
	Voltage	Voh	4.5V Minimum		
		Vol	0.4V Maximum		
	Current	Ioh	-4.0mA		
		Iol	4.0mA		
	Duty Cycle	50/50 ±5% Typical , ±10% Maximum			
Rise/Fall Time	5nS				
Start Up Time	10mS Maximum				
Supply Voltage	+5Vdc ±5%				
Supply Current	30mA Maximum				
Package	All metal, hermetically sealed, welded package				

STOCK FREQUENCIES AVAILABLE:

4MHz 4.608MHz 4.9152MHz 5MHz
 6.176MHz 6.4MHz 7.3728MHz 8MHz 8.192MHz 9.5445MHz 9.8304MHz
 10MHz 12MHz 12.355MHz 14.31818MHz 16MHz 16.384MHz 16.67MHz
 20MHz 24MHz 25MHz 27MHz 30MHz 32MHz 36MHz 40MHz 48MHz 50MHz



PIN	CONNECTION
1	N/C
7	GROUND (CASE)
8	OUTPUT
14	(+) SUPPLY

Dimensional Tolerance ±.005
 Specifications subject to change without notice

BULLETIN #: HCO43
 PAGE 1 OF 1

REV: 07
 DATE: 12/15/95

ISSUED BY: _____