

Low Profile Resistance Weld Crystal

The HC49L series are a low profile AT-cut or BT-cut strip crystal housed in a low profile metal package meeting the standard 0.200" board spacing. The series comply with Directive 2002/95/EC (RoHS Compliant)

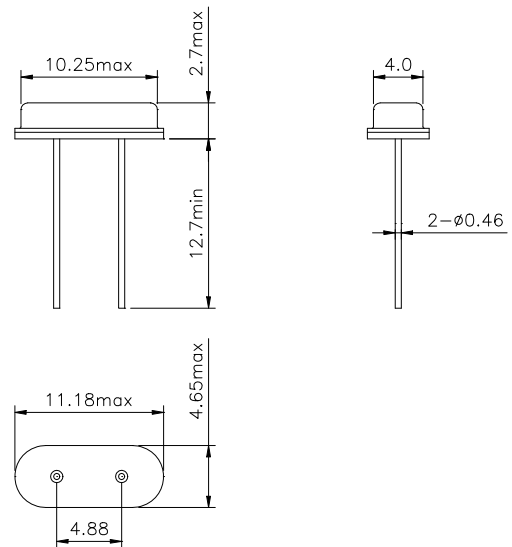
HC49L

RoHS Compliant

Specifications:

Frequency Range:	3.2 MHz ~ 40 MHz Fundamental	
	20 MHz ~ 70 MHz Overtone	
Operating Temperature:	0°C ~ +50°C	-A
	-10°C ~ +60°C	-B
	-20°C ~ +70°C	-C
	-40°C ~ +85°C	-L
Storage Temperature:	-40°C ~ +85°C	
Frequency Tolerance:	± 50 ppm	-50
(at 25°C)	± 30 ppm	-30
	± 20 ppm	-20
	± 10 ppm	-10
Frequency Stability:	± 50 ppm	-50
(over temperature range)	± 30 ppm	-30
	± 20 ppm	-20
	± 10 ppm	-10
Circuit Condition:	10 pF ~ 32 pF or series	
Equivalent Series Resistance:	Maximum resistance corresponds to frequency. Please see ESR table.	
Drive Level:	1.0 mW max	
Shunt Capacitance:	7 pF max	
Aging:	± 5 ppm max per year	
Optional Features:	Fundamental	-F
	3 rd , 5 th , 7 th O.T.	-3,5,7
	Tape & Reel	-TR

HC-49L



All dimensions are in mm

Ordering Information

Product name + CL + Operating Temperature Range + Tolerance + Stability + Other Code + Frequency.

i.e. HC49L-20-C-30-30-F-24.000MHz

Note:

- Other frequencies, tolerances, stabilities, and operating temperature ranges available. Consult VTC Support for specific requirements.
- Not all combinations of the above tolerances, stabilities, and temperature ranges are available. Consult VTC Support if your requirement is not standard.
- All specifications subject to change without notice.