

Shielded Ganged 1x2 RJ45

8P/8C Shielded Dual Port Tab-Up RJ45 Ethernet Connectors



Product Features:

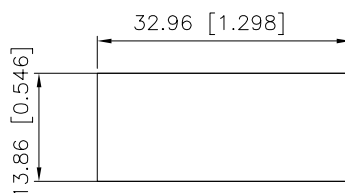
- Shielded RJ45 1x2 Connectors
- Minimum of 750 Mating Cycles
- Multiple Gold Contact Plating Options
- DWV - 1500VAC Contact to Shield
- Current Rating - 1.5A
- Voltage Rating - 125V
- UL94V-0 Flammability Rating

Part Number	Mechanical	Contact Gold Plating (min)	Latch Orientation	Operating Temp Range	LED Color (L/R)
HCJT2-802SK	A	6 μ "	Tab-Up	-40°C to +85°C	None
HCJT2-804SK	A	30 μ "	Tab-Up	-40°C to +85°C	None
HCJT2-805SK	A	50 μ "	Tab-Up	-40°C to +85°C	None
HCJT2-802SK-L11	B	6 μ "	Tab-Up	-40°C to +85°C	Green/Green
HCJT2-804SK-L11	B	30 μ "	Tab-Up	-40°C to +85°C	Green/Green
HCJT2-805SK-L11	B	50 μ "	Tab-Up	-40°C to +85°C	Green/Green
HCJT2-802SK-L12	B	6 μ "	Tab-Up	-40°C to +85°C	Green/Yellow
HCJT2-804SK-L12	B	30 μ "	Tab-Up	-40°C to +85°C	Green/Yellow
HCJT2-805SK-L12	B	50 μ "	Tab-Up	-40°C to +85°C	Green/Yellow
HCJT2-802SK-L21	B	6 μ "	Tab-Up	-40°C to +85°C	Yellow/Green
HCJT2-804SK-L21	B	30 μ "	Tab-Up	-40°C to +85°C	Yellow/Green
HCJT2-805SK-L21	B	50 μ "	Tab-Up	-40°C to +85°C	Yellow/Green

Notes:

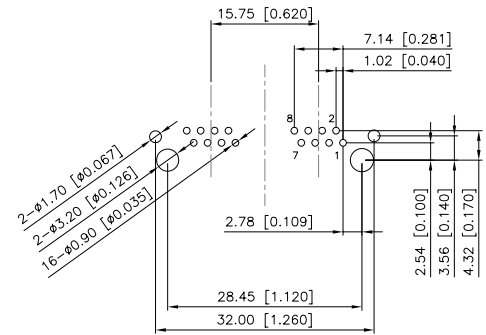
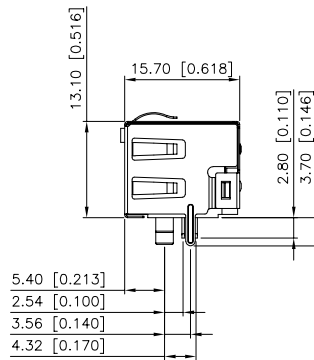
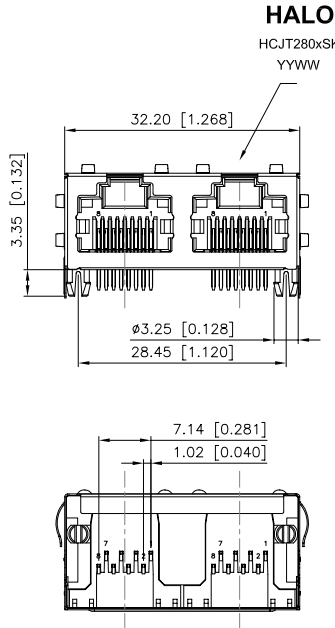
1. Alternate footprint variations available. Please contact the factory for additional information.
2. Part specific datasheets available upon request.

Recommended Panel Cutout



HALO 8P/8C Shielded Tab-Up 1x2 RJ45

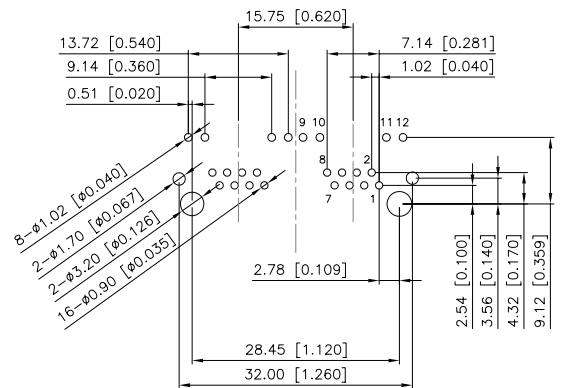
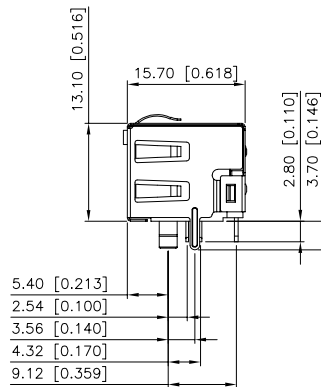
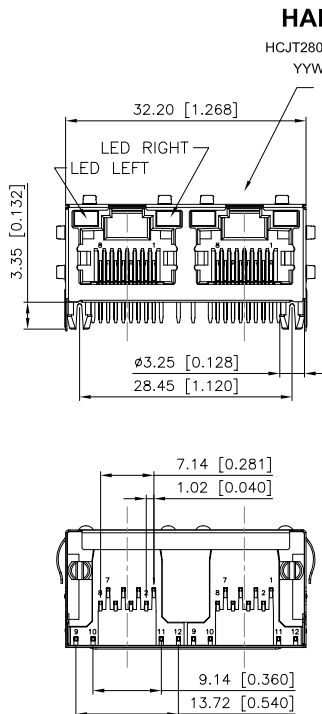
A - Mechanical (w/o LEDs)



Recommended PCB Layout (Top View)
Dimensional Tolerance: ± 0.08 [0.003]

DIMENSIONS: mm [inch]
TOLERANCE: .xx ± 0.25 [0.010]
.x ± 0.30 [0.012]

B - Mechanical (w/ LED's)



Recommended PCB Layout (Top View)
Dimensional Tolerance: ± 0.08 [0.003]

DIMENSIONS: mm [inch]
TOLERANCE: .xx ± 0.25 [0.010]
.x ± 0.30 [0.012]



2880 Lakeside Drive #116
Santa Clara, CA 95054
(650) 903-3800
www.haloelectronics.com

HALO® Electronics is a leading supplier of high quality communication magnetics including signal transformers, filters, CMR chokes, PoE power transformers, DC/DC converters, and integrated Ethernet connectors. HALO's leading edge technology solutions are manufactured in ISO9001 and ISO14001 factories offering high quality products at a competitive price.