

Agilent HCPL-8100/0810

High Current Line Driver

Data Sheet

Description

The HCPL-8100 and HCPL-0810 are low-cost high current line drivers. With a 5 V single supply, they deliver up to 1 A_{pp} current. This is ideal for high current applications such as a Powerline modem.

The HCPL-8100 and HCPL-0810 are internally protected against over-temperature conditions through thermal shutdown. Under-voltage or over-load condition is sensed by internal detection circuit

and indicated by Status pin output. In addition, with the transmit enable (Tx-en) input, the line driver output stage can be disabled to reduce power dissipation when not operating.

The HCPL-8100 and HCPL-0810 are specified for operation over extended temperature range from -40°C to +85°C. The HCPL-8100 is available in DIP-8 package, and the HCPL-0810 is available in SO-8 package.

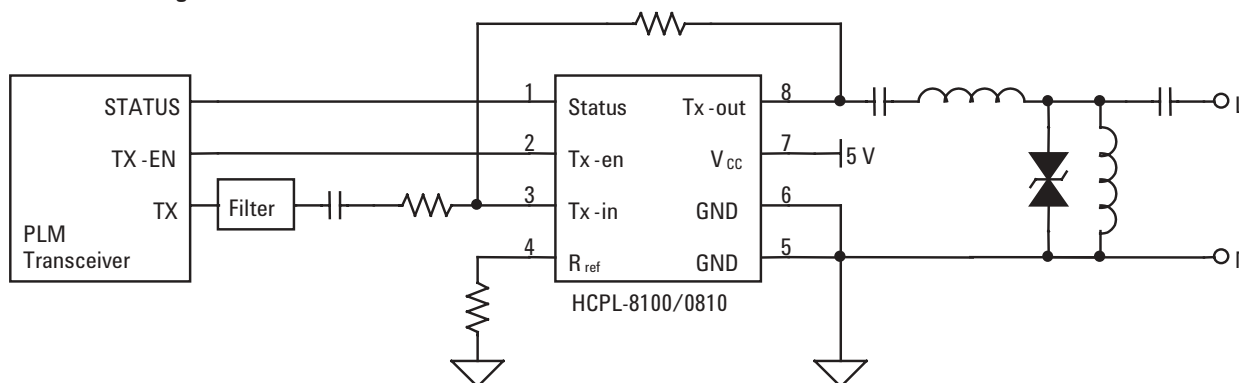
Features

- 1 A_{pp} driving current
- 3.5 MHz gain bandwidth product
- -60 dB maximum harmonic distortion
- Load detection function
- Under-voltage detection
- Over-temperature shutdown
- 5 V single supply
- Temperature range: -40°C to +85°C
- Suitable for FCC Part 15 and EN50065-1 compliant design

Applications

- Automatic meter reading (AMR)
- Powerline modem
- General purpose line driver
- Signal conditioning
- Digital-to-analog converter buffers

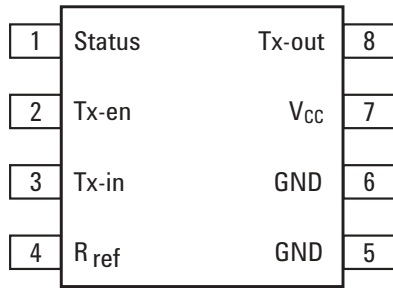
Connection Diagram



CAUTION: It is advised that normal static precautions be taken in handling and assembly of this component to prevent damage and/or degradation which may be induced by ESD.



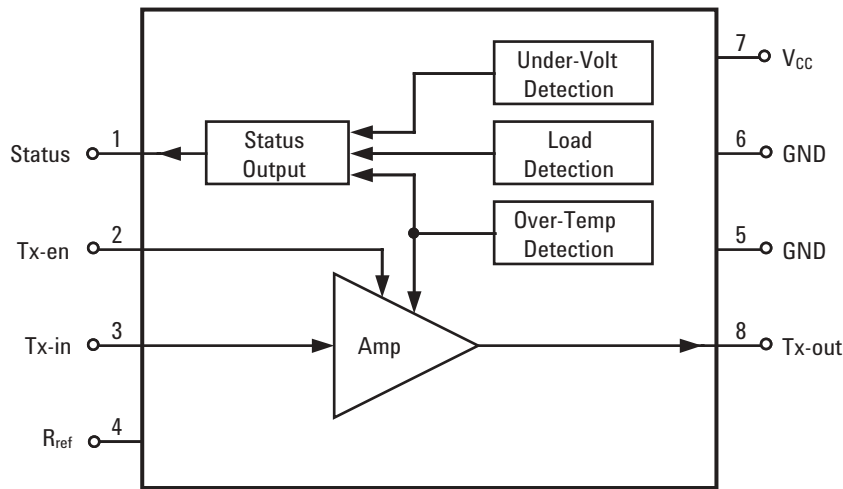
Package Pin Out



Pin Descriptions

Pin No.	Symbol	Function	Description
1	Status	Line condition detection	A logic high indicates line conditions such as - under-voltage when $V_{CC} < 4\text{ V}$ - load detection when $I_{Tx-out} < -0.25\text{ A}$ - over-temperature (thermal shutdown)
2	Tx-en	Transmit enable	A logic high enables the Tx-out; A logic low disables the Tx-out and changes it to high impedance state
3	Tx-in	Transmit input	Transmit signal input
4	R _{ref}	Resistor reference	Sets line driver biasing current, typically 24 k Ω
5, 6	GND	Power supply ground	Power supply and signal ground
7	V _{CC}	5 V power supply	5 V power supply
8	Tx-out	Transmit output	Transmit signal output, to be enabled by Tx-en

Block Diagram



Ordering Information

Specify part number followed by option number (if desired).

Example:

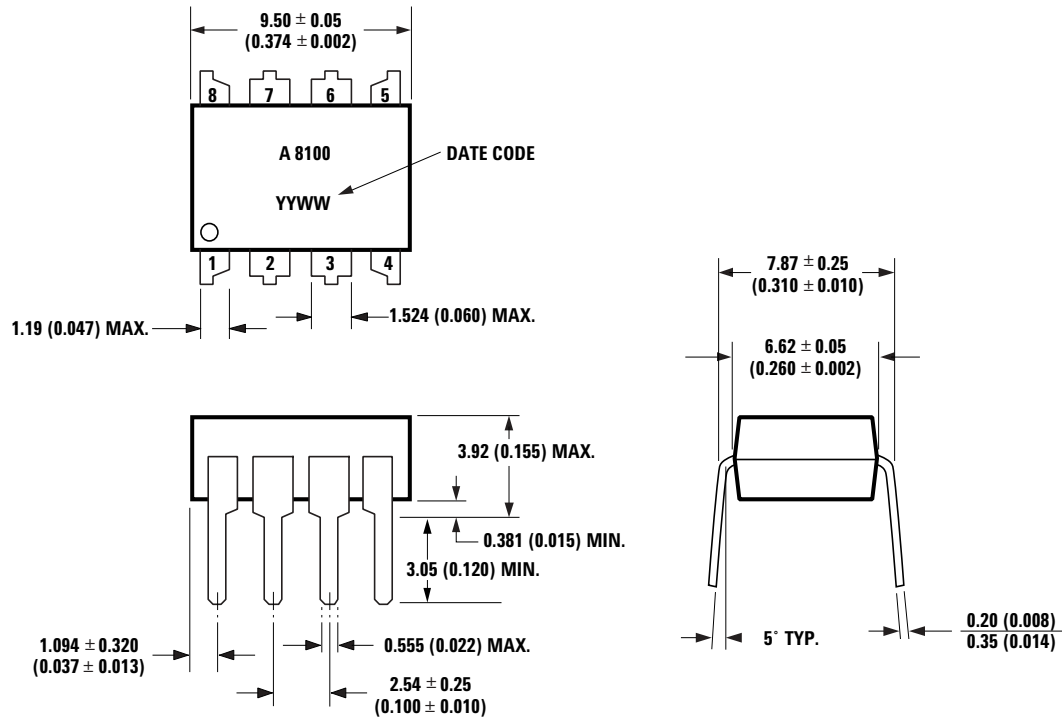
HCPL-8100 — Standard 8-pin DIP package, 50 units per tube.

HCPL-0810-XXX

- No option = SO-8 package, 100 units per tube.
- 500 = Tape and Reel Packaging Option, 1500 units per reel.

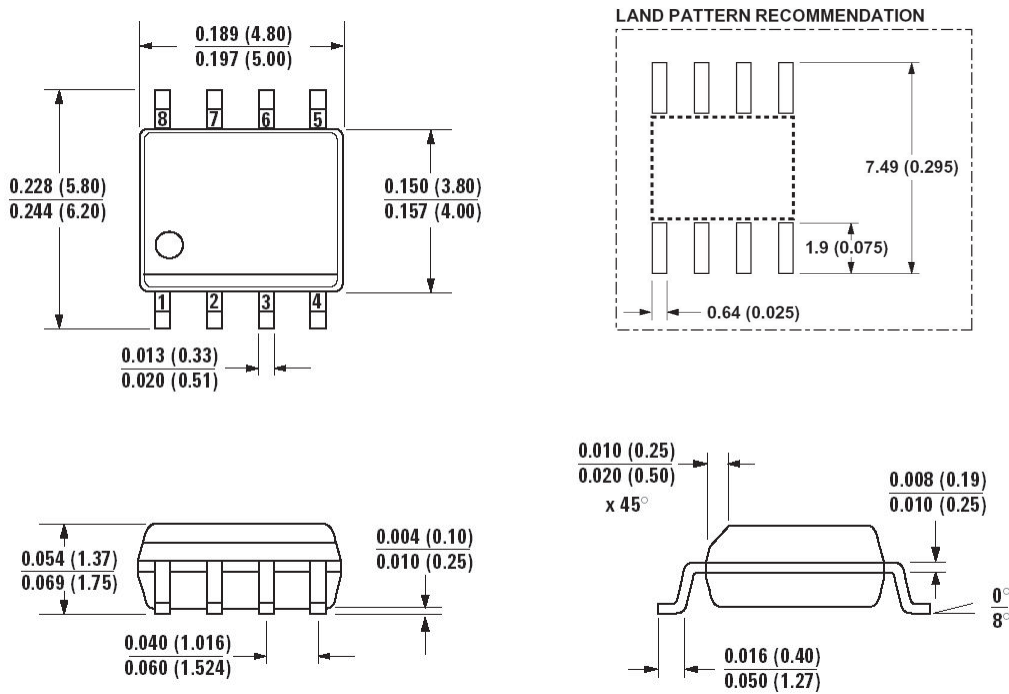
Package Outline Drawings

HCPL-8100 Standard 8-pin DIP package



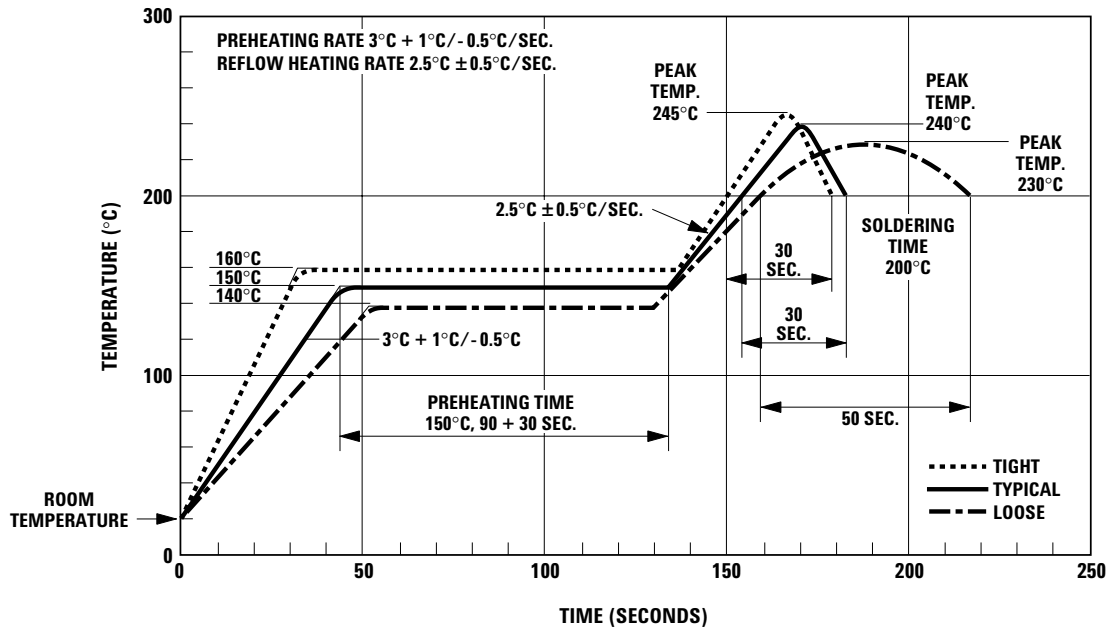
DIMENSIONS IN MILLIMETERS AND (INCHES)

HCPL-0810 Small Outline SO-8 Package



DIMENSIONS IN MILLIMETERS AND (INCHES)

Solder Reflow Temperature Profile



Absolute Maximum Ratings

Parameter	Symbol	Min.	Max.	Unit
Storage Temperature	T_s	-55	125	$^{\circ}\text{C}$
Ambient Operating Temperature	T_A	-40	85	$^{\circ}\text{C}$
Junction Temperature	T_J		150	$^{\circ}\text{C}$
Supply Voltage	V_{CC}	-0.5	5.5	Volts
Output Voltage	V_O	-0.5	V_{CC}	Volts
Tx-in Voltage	V_{Tx-in}	-0.5	V_{CC}	Volts
Tx-en Voltage	V_{Tx-en}	-0.5	V_{CC}	Volts
Solder Reflow Temperature Profile	(See Solder Reflow Temperature Profile Section)			

Recommended Operating Conditions

Parameter	Symbol	Min.	Typ.	Max.	Unit
Ambient Operating Temperature	T_A	-40	25	85	$^{\circ}\text{C}$
Supply Voltage	V_{CC}	4.75	5	5.25	V

Electrical Specifications

Unless otherwise noted, for sinusoidal waveform input and reference resistor $R_{ref} = 24 \text{ k}\Omega$, all typical values are at $T_A = 25^\circ\text{C}$ and $V_{CC} = 5 \text{ V}$; all Minimum/Maximum specifications are at Recommended Operating Conditions.

Parameter	Symbol	Min.	Typ.	Max.	Unit	Test Condition	Fig.	Note
V _{CC} Supply Current	I _{CC}		1.2	2	mA	V _{Tx-en} = 0 V, V _{Tx-in} = 0 V _{PP} , Tx-out no load	1	
			20	45	mA	V _{Tx-en} = 5 V, V _{Tx-in} = 0 V _{PP} , Tx-out no load	2, 3	
V _{CC} Under Voltage Detection	V _{UVD}	3.8	4.0	4.3	V			1
Junction Over-Temperature Threshold			150		°C			2
Load Detection Threshold			0.5		A _{PP}	V _{Tx-en} = 5 V, V _{Tx-in} = 1.25 V _{PP} , f = 132 kHz, Gain = -2, R _L = 2.5 Ω	12, 13	3
Status Logic High Output	V _{OH}	V _{CC} -1		V _{CC}	V	V _{CC} = 3.5 V, I _{OH} = -4 mA		
Status Logic Low Output	V _{OL}	0		0.8	V	V _{CC} = 5 V, I _{OL} = 4 mA		
Power Supply Rejection Ratio	PSRR		72		dB	50 Hz ripple, V _{ripple} = 200 mV _{PP} , V _{Tx-en} = 5 V, V _{Tx-in} = 0 V _{PP} , Tx-out no load		
DC Bias Voltage	V _{Bias}		2.27		V	V _{Tx-en} = 5 V, Tx-out no load		
Output Impedance	Z _O		12		kΩ	V _{Tx-en} = 0 V, V _{Tx-in} = 0 V _{PP} , open loop, f = 132 kHz		
			0.5		Ω	V _{Tx-en} = 5 V, V _{Tx-in} = 0 V _{PP} , f = 132 kHz		
Gain Bandwidth Product	GBW		3.5		MHz	V _{Tx-en} = 5 V, V _{Tx-in} = 1 V _{PP} , R _L = 50 Ω	4, 14	
Transmit Enable Threshold Voltage	V _{th, Tx}	0.8		2.4	V	V _{Tx-in} = 1 V _{PP} , f = 132 kHz, Tx-out no load		
Tx Enable Time	t _{Tx-en}		0.9		μs	V _{Tx-en} = 5 V, V _{Tx-in} = 1.75 V _{PP} , f = 132 kHz, Tx-out no load	11, 15	
Tx Disable Time			0.2		μs	V _{Tx-en} = 0 V, V _{Tx-in} = 1.75 V _{PP} , f = 132 kHz, Tx-out no load	15	
2nd Harmonic Distortion	HD2		-65	-60	dB	V _{Tx-en} = 5 V, V _{Tx-out} = 3.5 V _{PP} , f = 132 kHz, Gain = -2, R _{ref} = 24 kΩ, R _L = 50 Ω	5-10, 16	
3rd Harmonic Distortion	HD3		-75	-65	dB			
Output Current	I _O		1		A _{PP}	V _{Tx-en} = 5 V, f=132 kHz		4
Thermal Resistance (HCPL-8100)	θ _{JA}		100		°C/W	1 oz. trace, 2-layer PCB, still air, T _A = 25°C		
			60		°C/W	1 oz. trace, 4-layer PCB, still air, T _A = 25°C		
Thermal Resistance (HCPL-0810)	θ _{JA}		138		°C/W	1 oz. trace, 2-layer PCB, still air, T _A = 25°C		
			70		°C/W	1 oz. trace, 4-layer PCB, still air, T _A = 25°C		

Notes:

1. Threshold of falling V_{CC} with hysteresis of 0.2 V (typ.).
2. Threshold of rising junction temperature with hysteresis of 20°C (typ.).
3. See Application Information section for more information on the load detection feature.
4. See Figure 3 for the plot of supply current versus Tx output current.

Performance Plots

Unless otherwise noted, all typical plots are at $T_A = 25^\circ\text{C}$, $V_{CC} = 5\text{ V}$, sinusoidal waveform input and $R_{\text{ref}} = 24\text{ k}\Omega$.

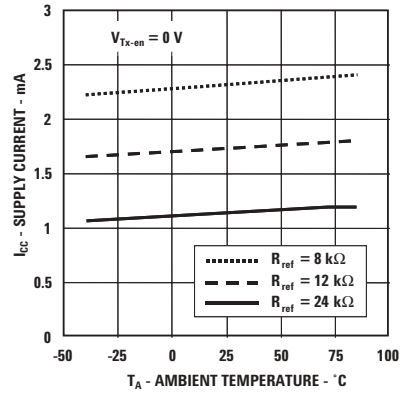


Figure 1. Supply current vs. temperature for Tx disabled.

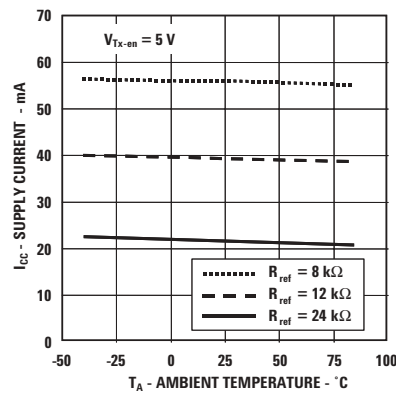


Figure 2. Supply current vs. temperature for Tx enabled.

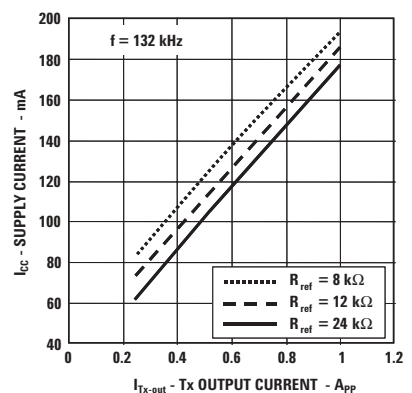


Figure 3. Supply current vs. Tx output current.

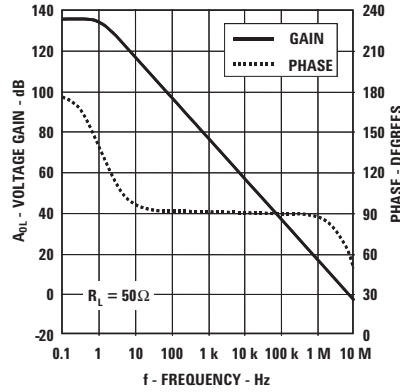


Figure 4. Gain and phase vs. frequency.

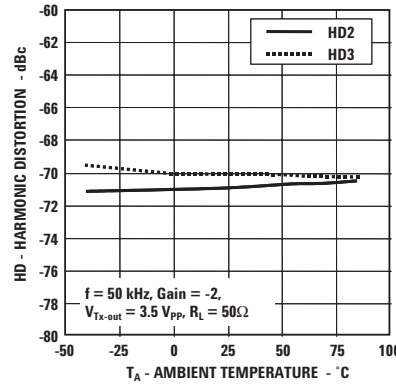


Figure 5. Tx-out harmonic distortion vs. temperature for $f = 50\text{ kHz}$.

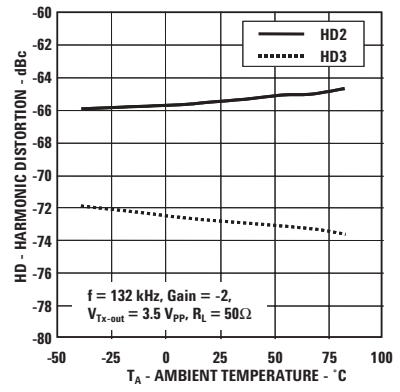


Figure 6. Tx-out harmonic distortion vs. temperature for $f = 132\text{ kHz}$.

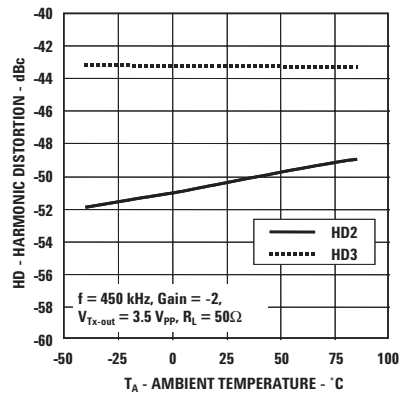


Figure 7. Tx-out harmonic distortion vs. temperature for $f = 450\text{ kHz}$.

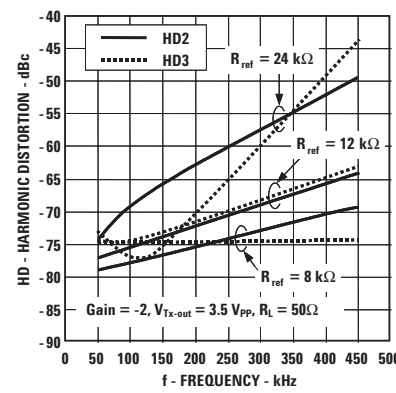


Figure 8. Tx-out harmonic distortion vs. frequency for different values of R_{ref} at Gain = -2.

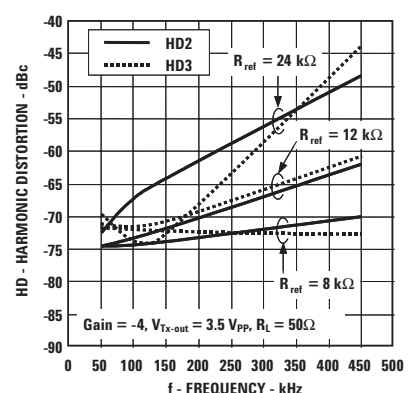


Figure 9. Tx-out harmonic distortion vs. frequency for different values of R_{ref} at Gain = -4.

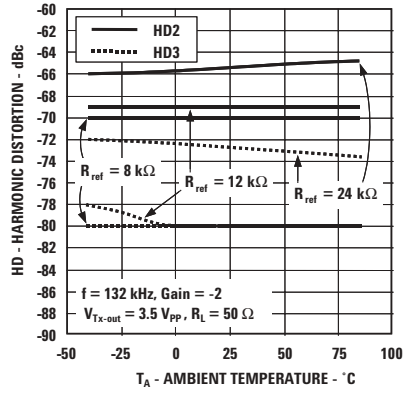


Figure 10. Tx-out harmonic distortion vs. temperature for different values of R_{ref}.

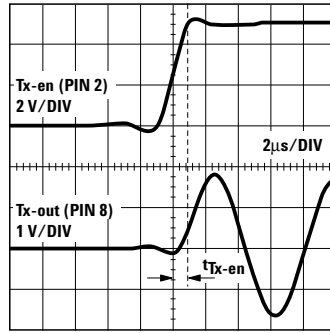


Figure 11. Tx enable time.

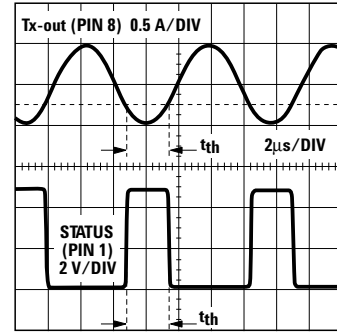


Figure 12. Tx-out load detection.

Test Circuit Diagrams

Unless otherwise noted, all test circuits are at $T_A = 25^\circ\text{C}$, $V_{CC} = 5\text{ V}$, sinusoidal waveform input, and signal frequency $f = 132\text{ kHz}$.

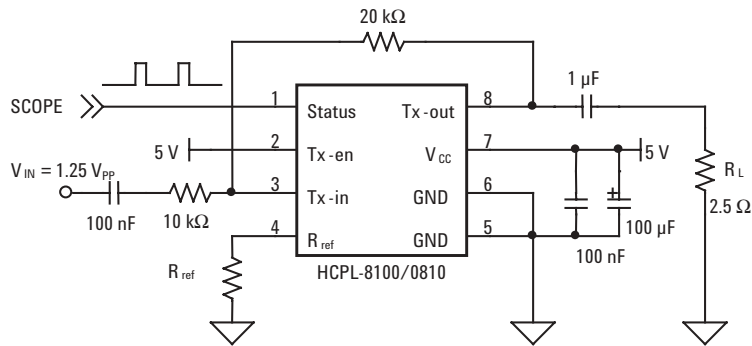


Figure 13. Load detection test circuit.

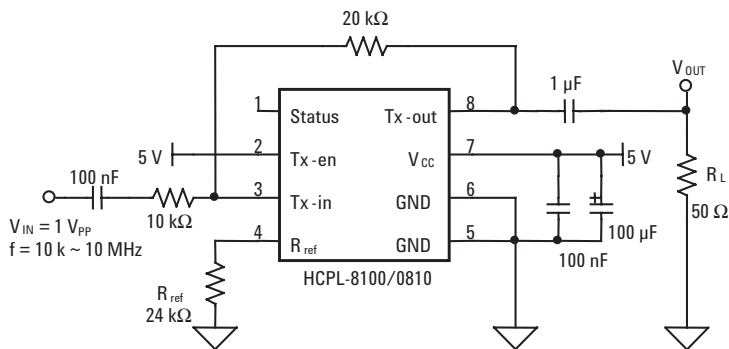


Figure 14. Gain bandwidth product test circuit.

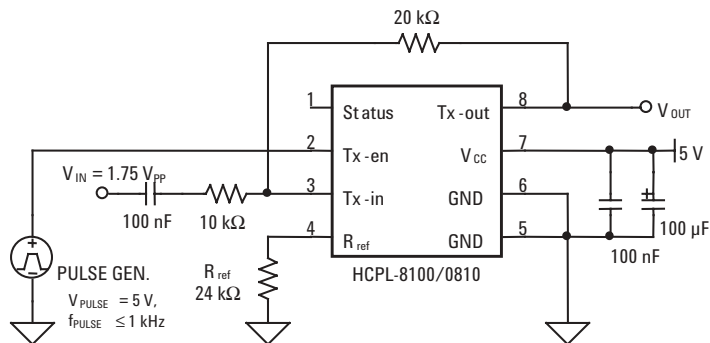


Figure 15. Tx enable/disable time test circuit.

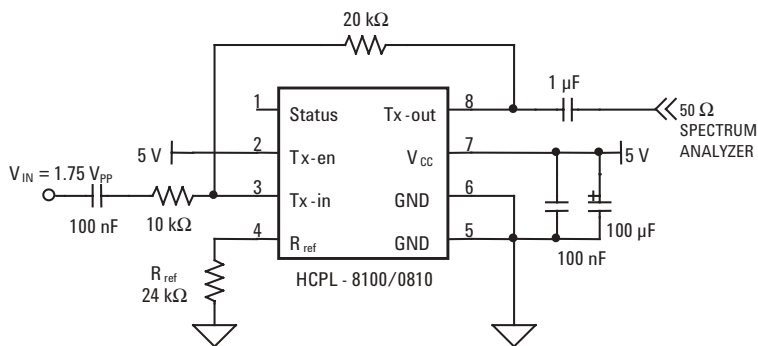


Figure 16. Tx-out harmonic distortion test circuit.

Application Information

The HCPL-8100 and HCPL-0810 are designed to work with various transceivers and can be used with a variety of modulation methods including

ASK, FSK and BPSK. Figure 17 shows a typical application in a powerline modem using Frequency Shift Keying (FSK) modulation scheme.

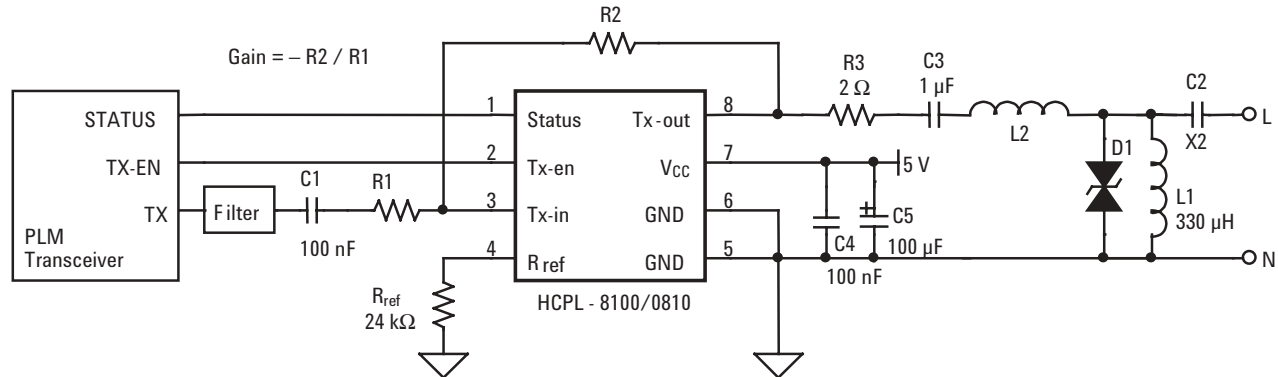


Figure 17. Schematic of HCPL-8100 or HCPL-0810 application for FSK modulation scheme.

Line Driver

The line driver is capable of driving powerline load impedances with output signals up to 4 V_{PP}. The internal biasing of the line driver is controlled externally via a resistor R_{ref} connected from pin 4 to ground. The optimum biasing point value for modulation frequencies up to 150 kHz is 24 kΩ. For higher frequency operation with certain modulation schemes, it may be necessary to reduce the resistor value to enable compliance with international regulations.

The output of the line driver is coupled onto the powerline using a simple LC coupling circuit as shown in Figure 18. Refer to Table 1 for some typical component values. Capacitor C2 and inductor L1 attenuate the 50/60 Hz powerline transmission frequency. A suitable value for L1 can range in value from

200 μH to 1 mH. To reduce the series coupling impedance at the modulation frequency, L2 is included to compensate the reactive impedance of C2. This inductor should be a low resistive type capable of meeting the peak current requirements. To meet many regulatory requirements, capacitor C2 needs to be an X2 type. Since these types of capacitors typically have a very wide tolerance range of 20%, it is recommended to use as low Q factor as possible for the L2/C2 combination. Using a high Q coupling circuit will result in a wide tolerance on the overall coupling impedance, causing potential communication difficulties with low powerline impedances. Occasionally with other circuit configurations, a high Q coupling arrangement is recommended, e.g., C2 less than 100 nF. In this case it is

normally used as a compromise to filter out of band harmonics originating from the line driver. This is not required with the HCPL-8100 or HCPL-0810.

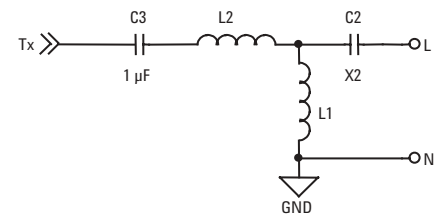


Figure 18. LC coupling network.

Table 1. Typical component values for LC coupling network.

Carrier Frequency (kHz)	LC Coupling	
	L2 (μH)	C2 (nF)
110	15	150
120	10	220
132	6.8	220
150	6.8	220

Although the series coupling impedance is minimized to reduce insertion loss, it has to be sufficiently large to limit the peak current to the desired level in the worst expected powerline load condition. The peak output current is effectively limited by the total series coupling resistance, which is made up of the series resistance of L2, the series resistance of the fuse and any other resistive element connected in the coupling network.

To reduce power dissipation when not operating in transmit mode the line driver stage is shut down to a low power high impedance state by pulling the Tx-en input (pin 2) to logic low state.

External Transient Voltage Protection

To protect the HCPL-8100 and HCPL-0810 from high voltage transients caused by power surges and disconnecting/connecting the modem, it is

necessary to add an external 6.8 V bi-directional transient voltage protector (as component D1 shown in Figure 17).

Additional protection from powerline voltage surges can be achieved by adding an appropriate Metal Oxide Varistor (MOV) across the powerline terminals after the fuse.

Internal Protection and Sensing

The HCPL-8100 and HCPL-0810 include several sensing and protection functions to ensure robust operation under wide ranging environmental conditions.

The first feature is the V_{CC} Under Voltage Detection (UVD). In the event of V_{CC} dropping to a voltage less than 4 V, the output status pin is switched to a logic high state.

The next feature is the over-temperature shutdown. This particular feature protects the line driver stage from over-

temperature stress. Should the IC junction temperature reach a level above 150°C, the line driver circuit will be shut down and the output of Status (pin 1) is pulled to the logic high state simultaneously.

The final feature is load detection function. The powerline impedance is quite unpredictable and varies not just at different connection points but is also time variant. The HCPL-8100 and HCPL-0810 include a current sense feature, which may be utilized to feedback information on the instantaneous powerline load condition. Should the peak current reach a level greater than 0.5 A_{pp} , the output of status pin is pulled to a logic high state for the entire period the peak current exceeds -0.25 A as shown in Figure 12. Using the period of the pulse together with the known coupling impedance, the actual powerline load can be calculated. Table 2 shows the logic output of the Status pin.

Table 2. Status pin logic

	Normal	$V_{CC} < 4 V$	Over-Temperature	$I_{Tx-out} < - 0.25 A$
Status output	Low	High	High	High (pulsed)

**www.agilent.com/
semiconductors**

For product information and a complete list of distributors, please go to our web site.

For technical assistance call:

Americas/Canada: +1 (800) 235-0312
or (408) 654-8675

Europe: +49 (0) 6441 92460

China: 10800 650 0017

Hong Kong: (+65) 6756 2394

India, Australia, New Zealand: (+65) 6755 1939

Japan: (+81 3) 3335-8152(Domestic/International), or 0120-61-1280(Domestic Only)

Korea: (+65) 6755 1989

Singapore, Malaysia, Vietnam, Thailand, Philippines, Indonesia: (+65) 6755 2044

Taiwan: (+65) 6755 1843

Data subject to change.

Copyright © 2004 Agilent Technologies, Inc.

Replaces 5989-0573EN

June 11, 2004

5989-1316EN



Agilent Technologies