

# Agilent HCPL-814 AC Input Phototransistor Optocoupler High Density Mounting Type Data Sheet

## Description

The HCPL-814 contains a phototransistor, optically coupled to two light emitting diodes connected inverse parallel. It can operate directly by AC input current. It is packaged in a 4-pin DIP package and available in wide-lead spacing option and lead bend SMD option. Input-output isolation voltage is 5000  $V_{rms}$ . Response time,  $t_r$ , is typically 4  $\mu s$  and minimum CTR is 20% at input current of  $\pm 1$  mA.

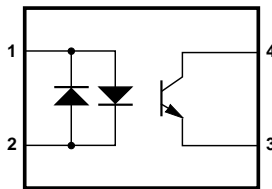
## Ordering Information

Specify Part Number followed by Option Number (if desired).

HCPL-814-XXXXE  
└── Lead Free  
└── Option Number

000 = No Options  
060 = IEC/EN/DIN EN 60747-5-2 Option  
W00 = 0.4" Lead Spacing Option  
300 = Lead Bend SMD Option  
500 = Tape and Reel Packaging Option  
00A = Rank Mark A

## Functional Diagram



1. ANODE, CATHODE      3. EMITTER  
2. CATHODE, ANODE      4. COLLECTOR

## Features

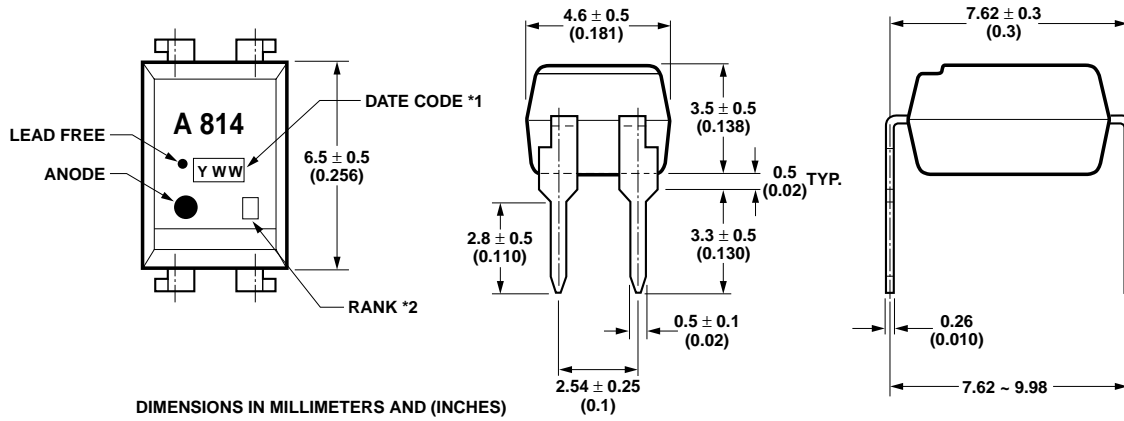
- AC input response
- High input-output isolation voltage ( $V_{iso} = 5,000 V_{rms}$ )
- Low collector dark current ( $I_{CE0}$ : max.  $10^{-7}$  A at  $V_{CE} = 20$  V)
- Current transfer ratio (CTR: min. 20% at  $I_F = \pm 1$  mA,  $V_{CE} = 5$  V)
- Response time ( $t_r$ : typ. 4  $\mu s$  at  $V_{CE} = 2$  V,  $I_C = 2$  mA,  $R_L = 100 \Omega$ )
- Compact dual-in-line package
- UL approved
- CSA approved
- IEC/EN/DIN EN 60747-5-2 approved
- Options available:
  - Leads with 0.4" (10.16 mm) spacing (W00)
  - Leads bend for surface mounting (300)
  - Tape and reel for SMD (500)
  - IEC/EN/DIN EN 60747-5-2 approvals (060)

## Applications

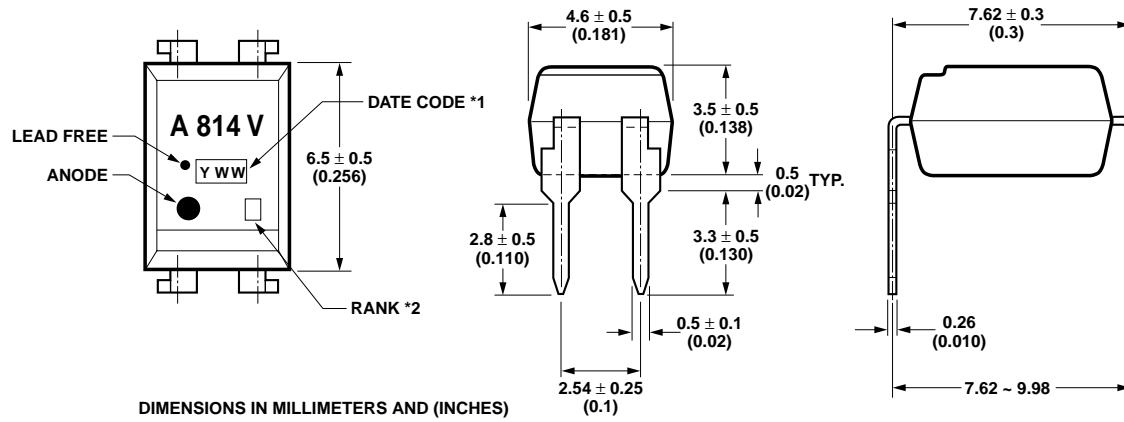
- Detecting or monitoring AC signals
- AC line/digital logic isolation
- Programmable logic controllers
- AC/DC – input modules

**CAUTION:** It is advised that normal static precautions be taken in handling and assembly of this component to prevent damage and/or degradation which may be induced by ESD.

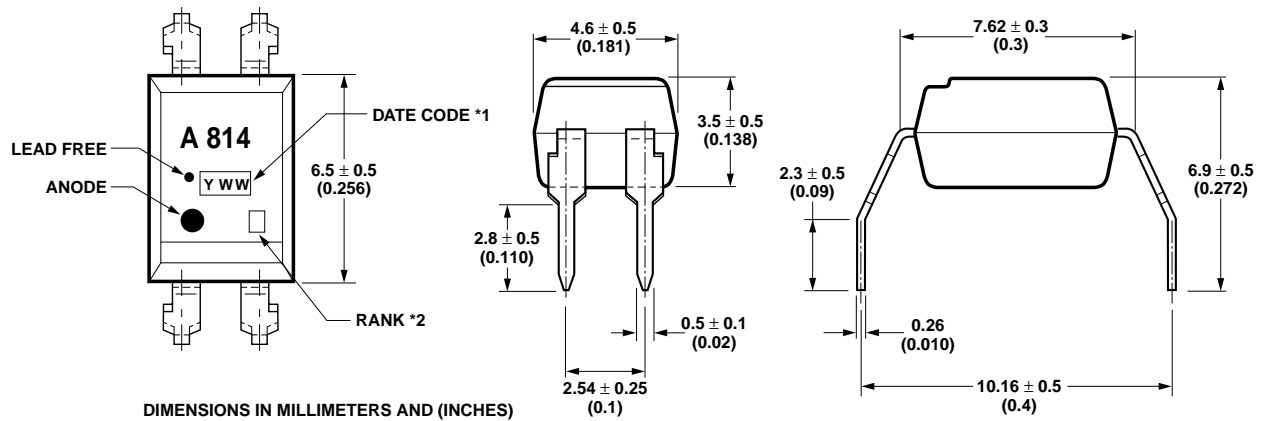
**Package Outline Drawings**  
**HCPL-814-000E**



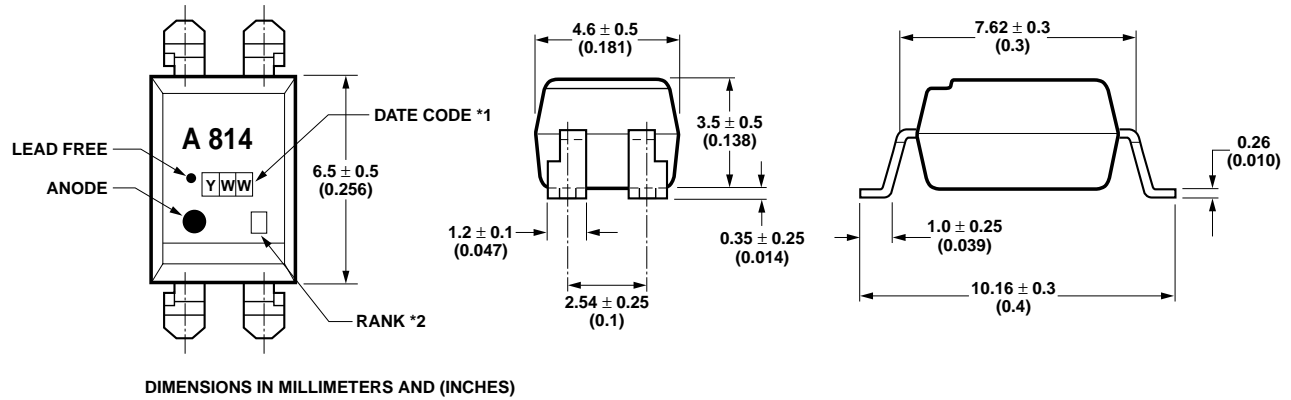
**HCPL-814-060E**



**HCPL-814-W00E**

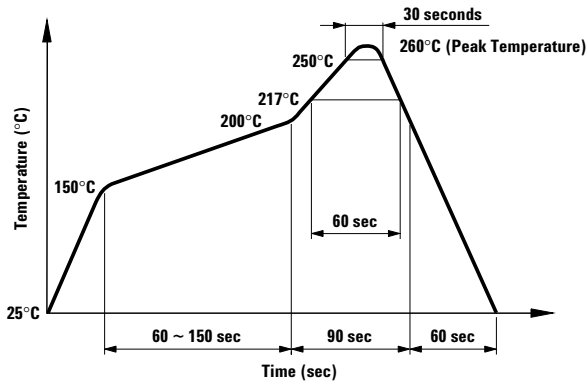


## HCPL-814-300E



### Solder Reflow Temperature Profile

- 1) One-time soldering reflow is recommended within the condition of temperature and time profile shown at right.
- 2) When using another soldering method such as infrared ray lamp, the temperature may rise partially in the mold of the device. Keep the temperature on the package of the device within the condition of (1) above.



### Absolute Maximum Ratings

Parameters	Symbol	Min.	Max.	Units
Storage Temperature	$T_S$	-55	125	°C
Ambient Operating Temperature	$T_A$	-30	100	°C
Lead Solder Temperature for 10s (1.6 mm below seating plane)	$T_{sol}$		260	°C
Average Forward Current	$I_F$		$\pm 50$	mA
Input Power Dissipation	$P_I$		70	mW
Collector Current	$I_C$		50	mA
Collector-Emitter Voltage	$V_{CE0}$		35	V
Emitter-Collector Voltage	$V_{EC0}$		6	V
Collector Power Dissipation	$P_C$		150	mW
Total Power Dissipation	$P_{tot}$		200	mW
Isolation Voltage (AC for 1 minute, R.H. = 40 ~ 60%)[1]	$V_{iso}$		5000	$V_{rms}$

### Electrical Specifications ( $T_A = 25^\circ\text{C}$ )

Parameter	Symbol	Min.	Typ.	Max.	Units	Test Conditions
Forward Voltage	$V_F$	–	1.2	1.4	V	$I_F = \pm 20\text{ mA}$
Terminal Capacitance	$C_t$	–	50	250	pF	$V = 0, f = 1\text{ kHz}$
Collector Dark Current	$I_{CEO}$	–	–	100	nA	$V_{CE} = 20\text{ V}, I_F = 0$
Collector-Emitter Breakdown Voltage	$BV_{CEO}$	35	–	–	V	$I_C = 0.1\text{ mA}, I_F = 0$
Emitter-Collector Breakdown Voltage	$BV_{ECO}$	6	–	–	V	$I_E = 10\text{ }\mu\text{A}, I_F = 0$
Collector Current	$I_C$	0.2	–	3	mA	$I_F = \pm 1\text{ mA}$ ,
Current Transfer Ratio <sup>[2]</sup>	CTR	20	–	300	%	$V_{CE} = 5\text{ V}$
Collector-Emitter Saturation Voltage	$V_{CE(sat)}$	–	0.1	0.2	V	$I_F = \pm 20\text{ mA}, I_C = 1\text{ mA}$
Isolation Resistance	$R_{iso}$	$5 \times 10^{10}$	$1 \times 10^{11}$	–	$\Omega$	DC 500 V 40 ~ 60% R.H.
Floating Capacitance	$C_f$	–	0.6	1	pF	$V = 0, f = 1\text{ MHz}$
Cut-off Frequency	$f_c$	15	80	–	kHz	$V_{CE} = 5\text{ V}, I_C = 2\text{ mA}$ $R_L = 100\text{ }\Omega, -3\text{ dB}$
Response Time (Rise)	$t_r$	–	4	18	$\mu\text{s}$	$V_{CE} = 2\text{ V}, I_C = 2\text{ mA}$ ,
Response Time (Fall)	$t_f$	–	3	18	$\mu\text{s}$	$R_L = 100\text{ }\Omega$

Rank Mark	CTR (%)	Conditions
A	50 ~ 150	$I_F = \pm 1\text{ mA}$ ,
No Mark	20 ~ 300	$V_{CE} = 5\text{ V}$ , $T_A = 25^\circ\text{C}$

#### Notes:

- Isolation voltage shall be measured using the following method:
  - Short between anode and cathode on the primary side and between collector and emitter on the secondary side.
  - The isolation voltage tester with zero-cross circuit shall be used.
  - The waveform of applied voltage shall be a sine wave.

$$2. \text{CTR} = \frac{I_C}{I_F} \times 100\%$$

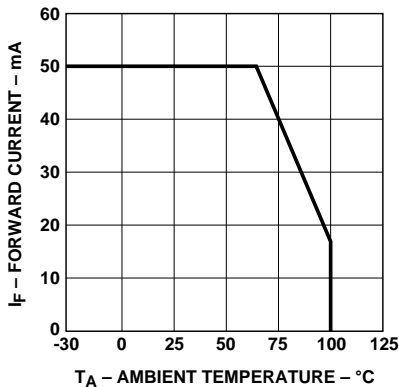


Figure 1. Forward current vs. temperature.

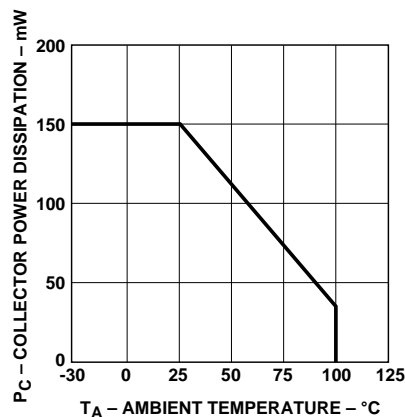


Figure 2. Collector power dissipation vs. temperature.

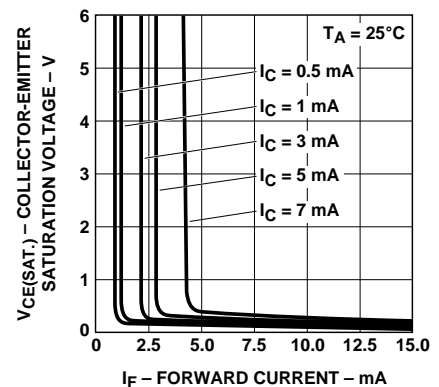


Figure 3. Collector-emitter saturation voltage vs. forward current.

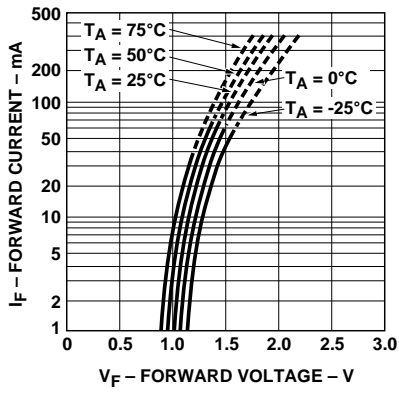


Figure 4. Forward current vs. forward voltage.

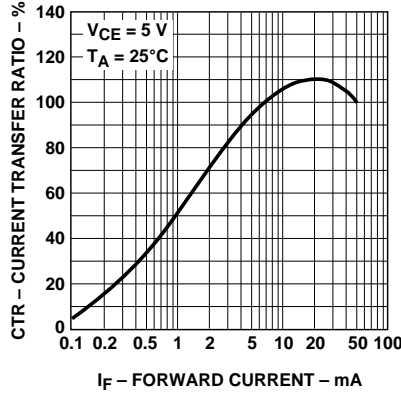


Figure 5. Current transfer ratio vs. forward current.

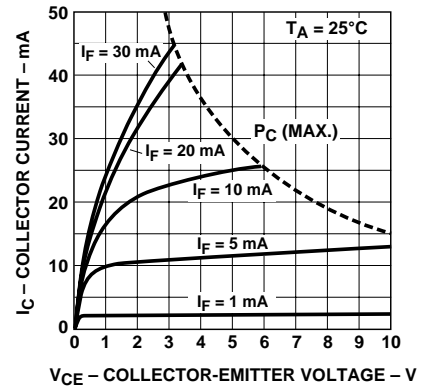


Figure 6. Collector current vs. collector-emitter voltage.

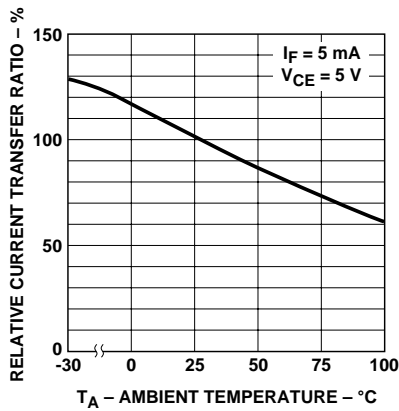


Figure 7. Relative current transfer ratio vs. temperature.

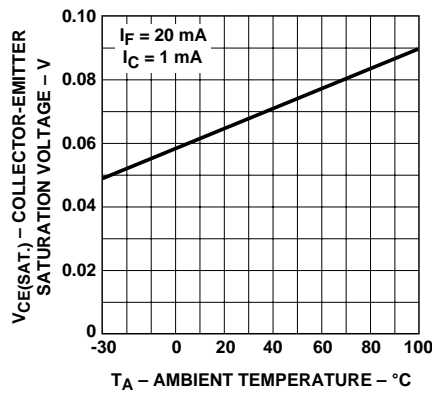


Figure 8. Collector-emitter saturation voltage vs. temperature.

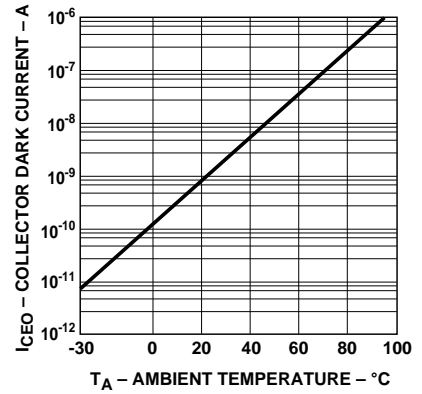


Figure 9. Collector dark current vs. temperature.

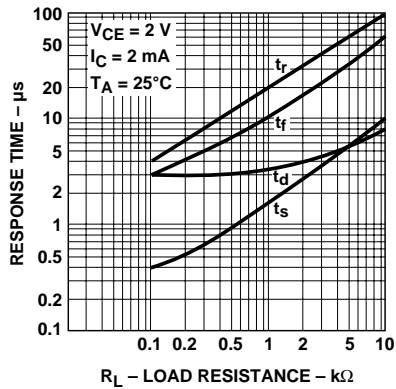


Figure 10. Response time vs. load resistance.

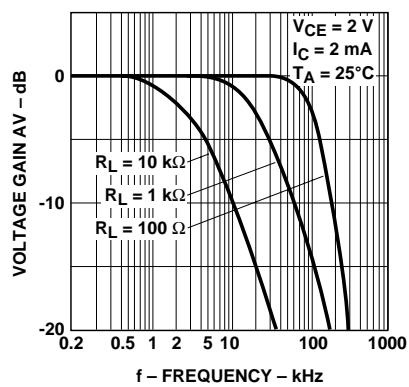


Figure 11. Frequency response.

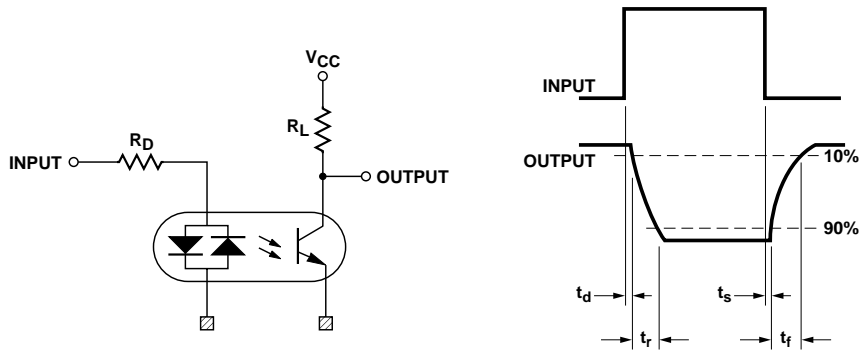


Figure 12. Test circuit for response time.

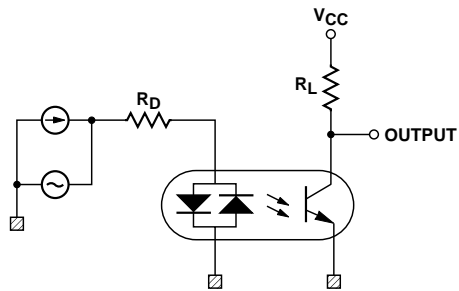


Figure 13. Test circuit for frequency response.

**[www.agilent.com/semiconductors](http://www.agilent.com/semiconductors)**

For product information and a complete list of distributors, please go to our web site.

For technical assistance call:

Americas/Canada: +1 (800) 235-0312 or (916) 788-6763

Europe: +49 (0) 6441 92460

China: 10800 650 0017

Hong Kong: (+65) 6756 2394

India, Australia, New Zealand: (+65) 6755 1939

Japan: (+81 3) 3335-8152 (Domestic/International), or 0120-61-1280 (Domestic Only)

Korea: (+65) 6755 1989

Singapore, Malaysia, Vietnam, Thailand, Philippines, Indonesia: (+65) 6755 2044

Taiwan: (+65) 6755 1843

Data subject to change.

Copyright © 2004 Agilent Technologies, Inc.

Obsoletes 5989-0301EN

November 3, 2004

5989-1735EN