

Glass/Ceramic Numeric and Hexadecimal Displays for Industrial Applications

Technical Data

HDSP-078x
HDSP-079x
HDSP-088x
HDSP-098x

Features

- **Three Character Options**
 Numeric, Hexadecimal, Over Range
- **Three Colors**
 High Efficiency Red, Yellow, High Performance Green
- **4 x 7 Dot Matrix Character**
- **High Efficiency Red, Yellow and High Performance Green**
- **Two High Efficiency Red Options**
 Low Power, High Brightness
- **Performance Guaranteed Over Temperature**
- **High Temperature Stabilized**
- **Memory Latch/Decoder/Driver**
 TTL Compatible

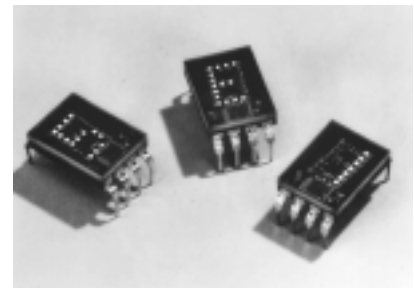
- **Categorized for Luminous Intensity**

Description

These standard solid state displays have a 7.4 mm (0.29 inch) dot matrix character and an on-board IC with data memory latch/decoder and LED drivers in a glass/ceramic package.

The hermetic HDSP-078x,-079x/-088x displays utilize a solder glass frit seal. The HDSP-098X displays utilize an epoxy glass-to-ceramic seal.

The numeric devices decode positive BCD logic into characters "0-9," a "-" sign, decimal point, and a test pattern. The hexadecimal devices decode



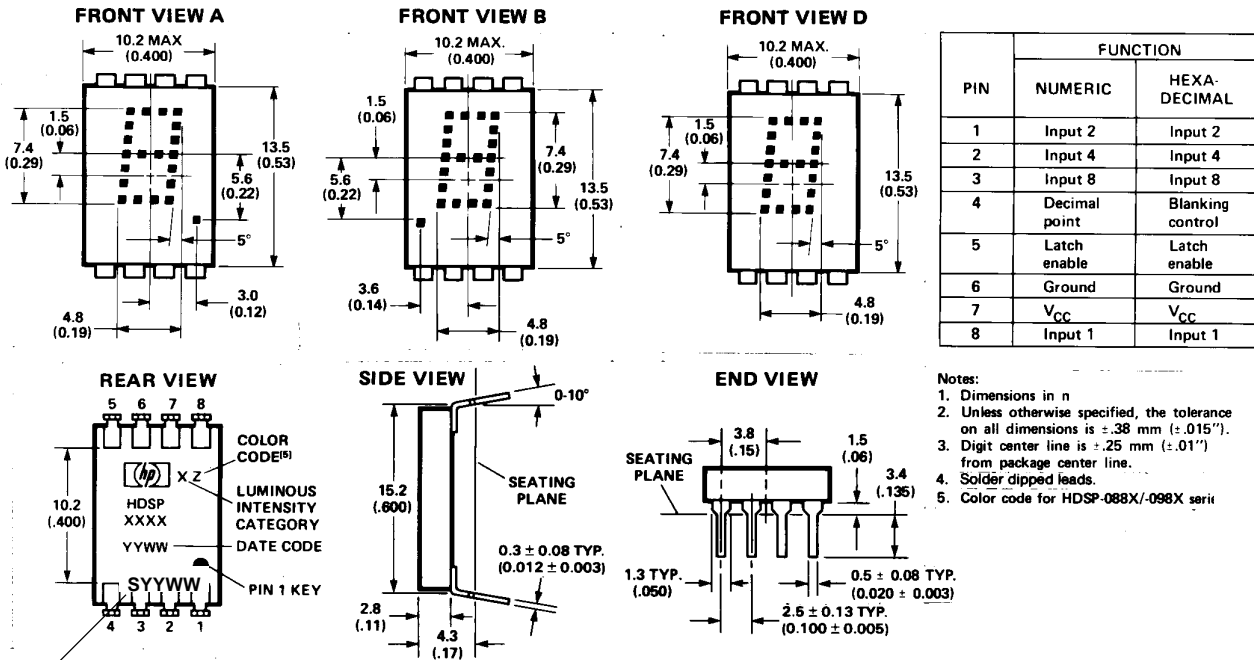
positive BCD logic into 16 characters, "0-9, A-F." An input is provided on the hexadecimal devices to blank the display (all LEDs off) without losing the contents of the memory.

The over range device displays "± 1" and right hand decimal point and is typically driven via external switching transistors.

Devices

Part Number HDSP-	Color	Description	Front View
0781	High-Efficiency Red Low Power	Numeric, Right Hand DP	A
0782		Numeric, Left Hand DP	B
0783		Over Range ± 1	C
0784		Hexadecimal	D
0791	High-Efficiency Red High Brightness	Numeric, Right Hand DP	A
0792		Numeric, Left Hand DP	B
0793		Over Range ± 1	C
0794		Hexadecimal	D
0881	Yellow	Numeric, Right Hand DP	A
0882		Numeric, Left Hand DP	B
0883		Over Range ± 1	C
0884		Hexadecimal	D
0981	High-Performance Green	Numeric, Right Hand DP	A
0982		Numeric, Left Hand DP	B
0983		Over Range ± 1	C
0984		Hexadecimal	D

Package Dimensions



PIN	FUNCTION	
	NUMERIC	HEXA-DECIMAL
1	Input 2	Input 2
2	Input 4	Input 4
3	Input 8	Input 8
4	Decimal point	Blanking control
5	Latch enable	Latch enable
6	Ground	Ground
7	V _{CC}	V _{CC}
8	Input 1	Input 1

- Notes:
1. Dimensions in n
 2. Unless otherwise specified, the tolerance on all dimensions is $\pm .38$ mm ($\pm .015$ ").
 3. Digit center line is $\pm .25$ mm ($\pm .01$ ") from package center line.
 4. Solder dipped leads.
 5. Color code for HDSP-088X/-098X series

COUNTRY CODE

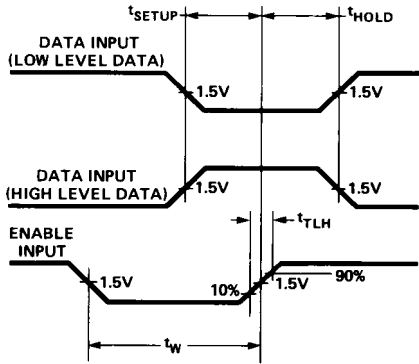


Figure 1. Timing Diagram.

BCD DATA ⁽¹⁾				TRUTH TABLE	
X ₈	X ₄	X ₂	X ₁	NUMERIC	HEXA-DECIMAL
L	L	L	L	0	0
L	L	L	H	1	1
L	L	H	L	2	2
L	L	H	H	3	3
L	H	L	L	4	4
L	H	L	H	5	5
L	H	H	L	6	6
L	H	H	H	7	7
H	L	L	L	8	8
H	L	L	H	9	9
H	L	H	L	A	A
H	L	H	H	(BLANK)	B
H	H	L	L	(BLANK)	C
H	H	L	H	...	D
H	H	H	L	(BLANK)	E
H	H	H	H	(BLANK)	F
DECIMAL PT. ⁽²⁾				ON	V _{DP} = L
				OFF	V _{DP} = H
ENABLE ⁽¹⁾				LOAD DATA	V _E = L
				LATCH DATA	V _E = H
BLANKING ⁽³⁾				DISPLAY-ON	V _B = L
				DISPLAY-OFF	V _B = H

- Notes:
1. H = Logic High; L = Logic Low. With the enable input at logic high changes in BCD input logic levels have no effect upon display memory, displayed character, or DP.
 2. The decimal point input, DP, pertains only to the numeric displays.
 3. The blanking control input, B, pertains only to the hexadecimal displays. Blanking input has no effect upon display memory.

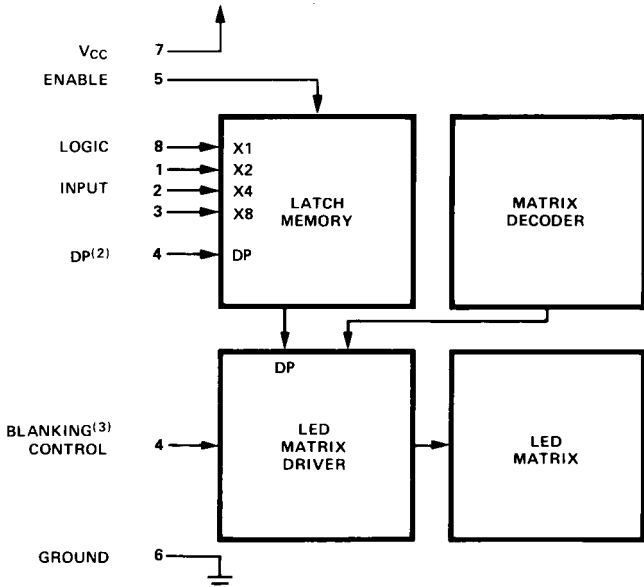


Figure 2. Block Diagram.

Absolute Maximum Ratings

Description	Symbol	Min.	Max.	Unit
Storage Temperature, Ambient HDSP-078x/-079x/-088x	T _S	-65	+125	°C
HDSP-098x		-55	+100	
Operating Temperature, Ambient ^[1]	T _A	-55	+100	°C
Supply Voltage ^[2]	V _{CC}	-0.5	+7.0	V
Voltage Applied to Input Logic, dp and Enable Pins	V _I , V _{DP} , V _E	-0.5	V _{CC}	V
Voltage Applied to Blanking Input ^[2]	V _R	-0.5	V _{CC}	V
Wave Solder Temperature at 1.59 mm (0.063 inch) below Body, max. 3 seconds			250	°C

Recommended Operating Conditions

Description	Symbol	Min.	Nom.	Max.	Unit
Supply Voltage ^[2]	V _{CC}	4.5	5.0	5.5	V
Operating Temperature, Ambient ^[1]	T _A	-55		+100	°C
Enable Pulse Width	t _w	100			nsec
Time Data Must Be Held Before Positive Transition of Enable Line	t _{SETUP}	50			nsec
Time Data Must Be Held After Positive Transition of Enable Line	t _{HOLD}	50			nsec
Enable Pulse Rise Time	t _{TLH}			1.0	msec

Optical Characteristics at T_A = 25°C, V_{CC} = 5.0 V

Device	Description	Symbol	Min.	Typ.	Max.	Unit
HDSP-078x Series	Luminous Intensity per LED (Digit Average) ^[3,4]	I _V	65	140		μcd
	Peak Wavelength	λ _{PEAK}		635		nm
	Dominant Wavelength ^[5]	λ _d		626		nm
HDSP-079x Series	Luminous Intensity per LED (Digit Average) ^[3,4]	I _V	260	620		μcd
	Peak Wavelength	λ _{PEAK}		635		nm
	Dominant Wavelength ^[5]	λ _d		626		nm
HDSP-088x Series	Luminous Intensity per LED (Digit Average) ^[3,4]	I _V	215	490		μcd
	Peak Wavelength	λ _{PEAK}		583		nm
	Dominant Wavelength ^[5,6]	λ _d		585		nm
HDSP-098x Series	Luminous Intensity per LED (Digit Average) ^[3,4]	I _V	298	1100		μcd
	Peak Wavelength	λ _{PEAK}		568		nm
	Dominant Wavelength	λ _d		574		nm

Notes:

- The nominal thermal resistance of a display mounted in a socket that is soldered onto a printed circuit board is R_{θJA} = 50°C/W/device. The device package thermal resistance is R_{θJ-PIN} = 15°C/W/device. The thermal resistance device pin-to-ambient through the PC board should not exceed 35°C/W/device for operation up to T_A = +100°C.
- Voltage values are with respect to device ground, pin 6.
- These displays are categorized for luminous intensity with the intensity category designated by a letter code located on the back of the display package. Case temperature of the device immediately prior to the light measurement is equal to 25°C.

Electrical/Optical Characteristics

$T_A = -55^\circ\text{C}$ to $+100^\circ\text{C}$

Description		Symbol	Test Conditions	Min.	Typ. ^[7]	Max.	Unit
Supply Current	HDSP-078x Series	I_{CC}	$V_{CC} = 5.5\text{ V}$ Characters "5." or "B" displayed		78	105	mA
	HDSP-079x/-088x/-098x Series				120	175	
Power Dissipation	HDSP-078x Series	P_T	$V_{CC} = 5.5\text{ V}$ Characters "5." or "B" displayed		390	573	mW
	HDSP-079x/-088x/-098x Series				690	963	
Logic, Enable and Blanking Low-Level Input Voltage		V_{IL}	$V_{CC} = 4.5\text{ V}$			0.8	V
Logic, Enable High-Level Input Voltage		V_{IH}		2.0			V
Blanking High-Voltage; Display Blanked		V_{BH}		2.3			V
Logic and Enable Low-Level Input Current		I_{IL}	$V_{CC} = 5.5\text{ V}$			-1.6	mA
Blanking Low-Level Input Current		I_{BL}	$V_{IL} = 0.4\text{ V}$			-10	μA
Logic, Enable and Blanking High-Level Input Current		I_{IH}	$V_{CC} = 5.5\text{ V}$ $V_{IH} = 2.4\text{ V}$			+40	μA
Weight					1.0		gm
Leak Rate						5×10^{-8}	cc/sec

Notes:

4. The luminous intensity at a specific operating ambient temperature, $I_v(T_A)$, may be approximated from the following exponential equation: $I_v(T_A) = I_v(25^\circ\text{C}) e^{[k(T_A-25^\circ\text{C})]}$.

Device	K
HDSP-078 Series HDSP-079x Series	-0.0131/ $^\circ\text{C}$
HDSP-088x Series	-0.0112/ $^\circ\text{C}$
HDSP-098x Series	-0.0104/ $^\circ\text{C}$

5. The dominant wavelength, λ_d , is derived from the CIE chromaticity diagram and represents the single wavelength which defines the color of the device.

6. The HDSP-088X and HDSP-098X series devices are categorized as to dominant wavelength with the category designated by a number on the back of the display package.

7. All typical values at $V_{CC} = 5.0\text{ V}$ and $T_A = 25^\circ\text{C}$.

Operational Considerations

Electrical

These devices use a modified 4 x 7 dot matrix of light emitting diodes to display decimal/hexadecimal numeric information. The high efficiency red and yellow displays use GaAsP/GaP LEDs and the high performance green displays use GaP/GaP LEDs. The LEDs are driven by constant current drivers, BCD information is accepted by the display memory when the enable

line is at logic low and the data is latched when the enable is at logic high. Using the enable pulse width and data setup and hold times listed in the Recommended Operating Conditions allows data to be clocked into an array of displays at a 6.7 MHz rate.

The decimal point input is active low true and this data is latched into the display memory in the same fashion as the BCD data. The decimal point LED is driven by the on-board IC.

The blanking control input on the hexadecimal displays blanks (turns off) the displayed information without disturbing the contents of display memory. The display is blanked at a minimum threshold level of 2.0 volts. When blanked, the display standby power is nominally 250 mW at $T_A = 25^\circ\text{C}$.

The ESD susceptibility of the IC devices is Class A of MIL-STD-883 or Class 2 of DOD-STD-1686 and DOD-HDBK-263.

Mechanical

These displays are hermetically sealed for use in environments that require a high reliability device. These displays are designed and tested to meet a helium leak rate of 5×10^{-8} cc/sec.

These displays may be mounted by soldering directly to a printed circuit board or insertion into a socket. The lead-to-lead pin spacing is 2.54 mm (0.100 inch) and the lead row spacing is 15.24 mm (0.600 inch). These displays may be end stacked with 2.54 mm (0.100 inch) spacing between outside pins of adjacent displays. Sockets such as Augat 324-AG2D (3 digits) or Augat

508-AG8D (one digit, right angle mounting) may be used.

The primary thermal path for power dissipation is through the device leads. Therefore, to insure reliable operation up to an ambient temperature of +100°C, it is important to maintain a base-to-ambient thermal resistance of less than 35°C watt/device as measured on top of display pin 3.

For further information on soldering and post solder cleaning, see Application Note 1027, *Soldering LED Components*.

Preconditioning

These displays are 100% pre-conditioned by 24 hour storage at 125°C, at 100°C for the HDSP-098x Series.

Contrast Enhancement

These display devices are designed to provide an optimum ON/OFF contrast when placed behind an appropriate contrast enhancement filter. For further information on contrast enhancement, see Application Note 1015, *Contrast Enhancement for LED Displays*.

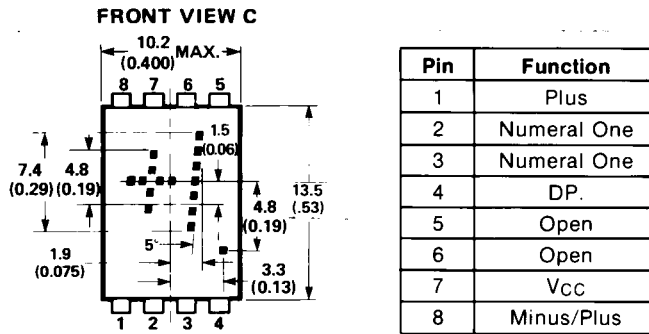
Over Range Display

The over range devices display “±1” and decimal point. The character height and package configuration are the same as the numeric and hexadecimal devices. Character selection is obtained via external switching transistors and current limiting resistors.

Absolute Maximum Ratings

Description	Symbol	Min	Max	Unit
Storage Temperature, Ambient	T _S	-65	+125	°C
Operating Temperature, Ambient	T _A	-55	+100	°C
Forward Current, Each LED	I _F		10	mA
Reverse Voltage, Each LED	V _R		5	V

Package Dimensions



Note:

- Dimensions in millimetres and (inches).

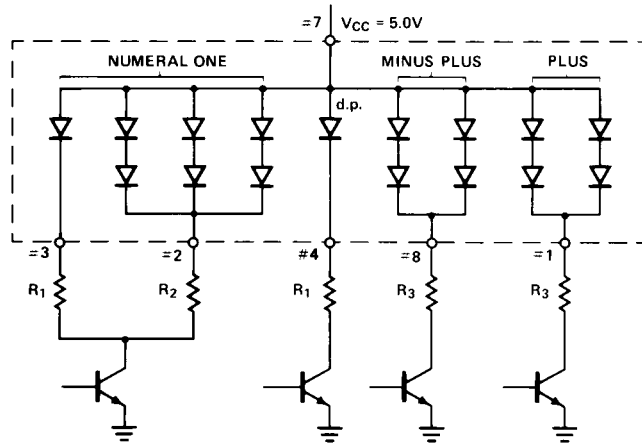


Figure 3. Typical Driving Circuit.

Luminous Intensity per LED

(Digit Average) at $T_A = 25^\circ\text{C}$

Device	Test Conditions	Min.	Typ.	Units
HDSP-0783	$I_F = 2.8 \text{ mA}$	65	140	μcd
	$I_F = 8 \text{ mA}$		620	μcd
HDSP-0883	$I_F = 8 \text{ mA}$	215	490	μcd
HDSP-0983	$I_F = 8 \text{ mA}$	298	1100	μcd

Recommended Operating Conditions

$V_{CC} = 5.0 \text{ V}$

Device	Forward Current Per LED, mA	Resistor Value		
		R_1	R_2	R_3
HDSP-0783	Low Power	1300	200	300
	High Brightness	360	47	68
HDSP-0883	8	360	36	56
HDSP-0983	8	360	30	43

Character	Pin			
	1	2,3	4	8
+	1	X	X	1
-	0	X	X	1
1	X	1	X	X
Decimal Point	X	X	1	X
Blank	0	0	0	0

Notes:

0: Line switching transistor in Figure 7 cutoff.

1: Line switching transistor in Figure 7 saturated.

X: 'don't care.'

Electrical Characteristics

$T_A = -55^\circ\text{C}$ to $+100^\circ\text{C}$

Device	Description	Symbol	Test Conditions	Min	Typ	Max	Unit
HDSP-0783	Power Dissipation (All LEDs Illuminated)	P_T	$I_F = 2.8 \text{ mA}$		72		mW
			$I_F = 8 \text{ mA}$		224	282	
	Forward Voltage per LED	V_F	$I_F = 2.8 \text{ mA}$		1.6		V
			$I_F = 8 \text{ mA}$		1.75	2.2	
HDSP-0883	Power Dissipation (All LEDs Illuminated)	P_T	$I_F = 8 \text{ mA}$		237	282	mW
	Forward Voltage per LED	V_F			1.90	2.2	V
HDSP-0883	Power Dissipation (All LEDs Illuminated)	P_T	$I_F = 8 \text{ mA}$		243	282	mW
	Forward Voltage per LED	V_F			1.85	2.2	V

Intensity Bin Limits for HDSP-078x Series

Bin Category	Min. (mcd)	Max. (mcd)	Condition
A	0.065	0.102	Luminous Intensity per LED. $V_{DD} @ 5.0 \text{ V}$
B	0.085	0.138	
C	0.114	0.200	
D	0.165	0.300	
E	0.260	0.488	
F	0.403	0.756	
G	0.625	1.172	

Intensity Bin Limits for HDSP-079x Series

Bin Category	Min. (mcd)	Max. (mcd)	Condition
E	0.260	0.488	Luminous Intensity per LED. $V_{DD} @ 5.0 \text{ V}$
F	0.403	0.756	
G	0.625	1.172	
H	0.969	1.820	

Intensity Bin Limits for HDSP-088x Series

Bin Category	Min. (mcd)	Max. (mcd)	Condition
A	0.22	0.34	Luminous Intensity per LED. $V_{DD} @ 5.0 \text{ V}$
B	0.28	0.46	
C	0.38	0.66	
D	0.55	0.99	
E	0.82	1.54	
F	1.27	2.39	

Intensity Bin Limits for HDSP-098x Series

Bin Category	Min. (mcd)	Max. (mcd)	Condition
C	0.30	0.52	Luminous Intensity per LED. $V_{DD} @ 5.0 \text{ V}$
D	0.43	0.79	
E	0.65	1.18	
F	0.97	1.76	
G	1.45	2.63	

Color Bin Limits (Dominant Wavelength)

Color	Bin	Intensity Range (nm)	
		Min.	Max.
Yellow	1	581.50	585.00
	2	584.00	587.50
	3	586.50	590.00
Green	1	570.00	574.00
	2	573.00	577.00
	3	576.00	580.00

Note:

Bin categories are established for classification of products. Products may not be available in all bin categories. Please consult your local Agilent Technologies representative.

www.agilent.com/semiconductors

For product information and a complete list of distributors, please go to our web site.

For technical assistance call:

Americas/Canada: +1 (800) 235-0312 or (916) 788-6763

Europe: +49 (0) 6441 92460

China: 10800 650 0017

Hong Kong: (+65) 6756 2394

India, Australia, New Zealand: (+65) 6755 1939

Japan: (+81 3) 3335-8152 (Domestic/International), or 0120-61-1280 (Domestic Only)

Korea: (+65) 6755 1989

Singapore, Malaysia, Vietnam, Thailand, Philippines, Indonesia: (+65) 6755 2044

Taiwan: (+65) 6755 1843

Data subject to change.

Copyright © 2004 Agilent Technologies, Inc.

Obsoletes 5964-6390E

July 14, 2004

5988-2261EN