

HER601G THRU HER608G

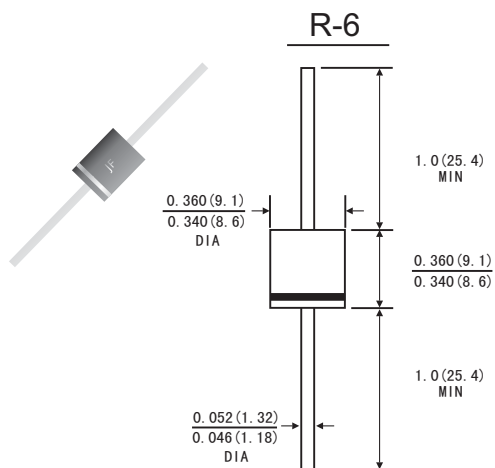
HIGH EFFICIENCY RECTIFIER
Reverse Voltage: 50 to 1000 Volts
Forward Current:6.0Amperes

FEATURES

- Plastic package has Underwriters Laboratory Flammability Classification 94V-0
- Low forward voltage drop
- High current capability, High reliability
- Low power loss, high efficiency
- High surge current capability
- High speed switching, Low leakage
- High temperature soldering guaranteed:260°C/10 seconds at terminals
- Component in accordance to RoHS 2011/65/EU

MECHANICAL DATA

- Case: R-6 molded plastic body
- Lead: Plated axial leads, solderable per MIL-STD-750,method 2026
- Polarity: Color band denotes cathode end
- Mounting Position: Any
- Weight: 0.074ounce, 2.1 grams



Dimensions in inches and (millimeters)

MAXIMUM RATINGS AND ELECTRICAL CHARACTERISTICS

(Rating at 25°C ambient temperature unless otherwise specified. Single phase ,half wave ,60Hz,resistive or inductive load. For capacitive load, derate current by 20%.)

	Symbols	HER 601G	HER 602G	HER 603G	HER 604G	HER 605G	HER 606G	HER 607G	HER 608G	Units
Maximum Recurrent Peak Reverse Voltage	V_{RRM}	50	100	200	300	400	600	800	1000	Volts
Maximum RMS Voltage	V_{RMS}	35	70	140	210	280	420	560	700	Volts
Maximum DC Blocking Voltage	V_{DC}	50	100	200	300	400	600	800	1000	Volts
Maximum Average Forward Rectified Current	$I(AV)$	6.0								Amps
Peak Forward Surge Current 8.3ms single half sine-wave superimposed on rated load (JEDEC method)	I_{FSM}	200.0								Amps
Maximum Instantaneous Forward Voltage at 6.0 A	V_F	1.0		1.3		1.85			Volts	
Maximum DC Reverse Current at rated DC blocking voltage	$T_A=25^{\circ}C$	10.0								μA
	$T_A=100^{\circ}C$	200								
Maximum reverse recovery time(Note1)	T_{rr}	60				100			ns	
Typical junction capacitance(Note2)	C_J	100								Pf
Operating junction and storage temperature range	T_J T_{STG}	-55 to+150 -55 to+150								$^{\circ}C$

Note: 1.Test conditions: $I_F=0.5A, I_R=1.0A, I_{RR}=0.25A.$

2.Measured at 1MHz and applied reverse voltage of 4.0 Volts.

RATINGS AND CHARACTERISTIC CURVES HER601G THRU HER608G

FIG.1-TEST CIRCUIT DIAGRAM AND REVERSE RECOVERY TIME CHARACTERISTIC

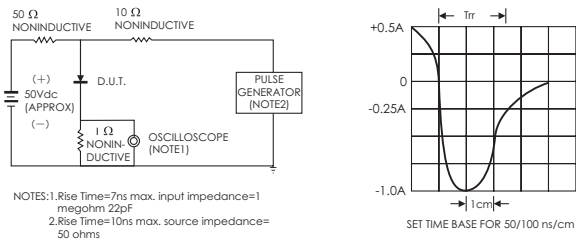


FIG.2-TYPICAL FORWARD CURRENT DERATING CURVE

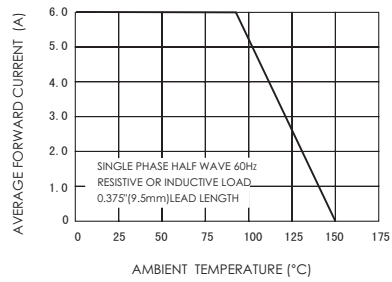


FIG.3-TYPICAL FORWARD CHARACTERISTICS

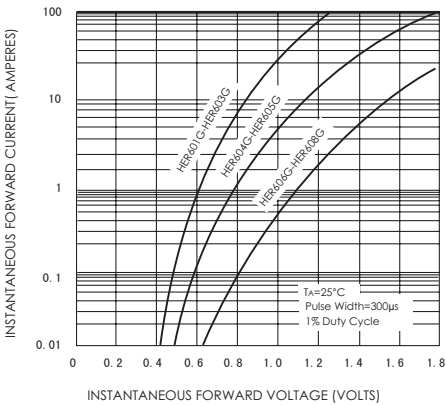


FIG.4-TYPICAL REVERSE CHARACTERISTICS

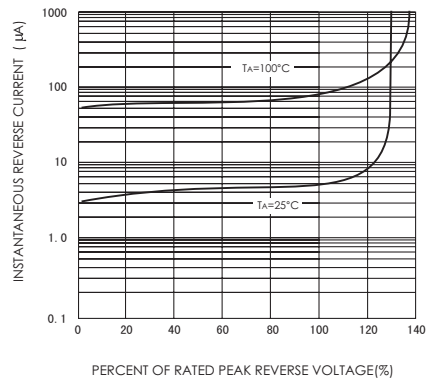


FIG.5-MAXIMUM NON-REPETITIVE FORWARD SURGE CURRENT

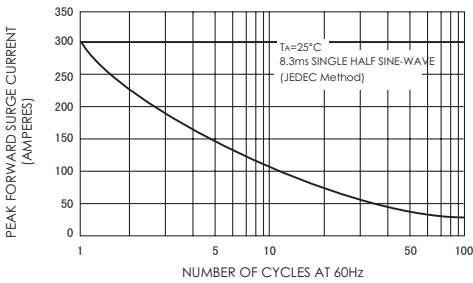


FIG.6-TYPICAL JUNCTION CAPACITANCE

