

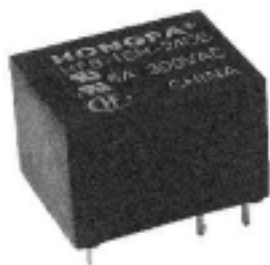
# HONGFA RELAY



## SUBMINIATURE POWER RELAY

SPDT, 6A , PC Board

# HF 8



- 6A switching capabilities
- SPDT configurations
- Subminiature, High sensitive, PCB layout
- Sealed types for automatic wave soldering
- UL & CUR file No. E134517

### CONTACT DATA

Arrangement	SPDT	
Initial Contact Resistance	100mΩ	
Max. (at 1A 24VDC)		
Contact Material	Silver alloy	
Contact Rating (Res. Load)	6A 120VAC 6A 24VDC	
Max. switching voltage	300VAC/28VDC	
Max. switching current	6A	
Max. switching power	720VA/144W	
UL/CUR rating	6A 120VAC/24VDC	
Expected	Mechanical	1X10 <sup>7</sup>
Life min. operations	Electrical	1X10 <sup>5</sup>

### COIL

Nominal coil power	0.45W
--------------------	-------

### SPECIFICATION

Initial Insulation Resistance	100MΩ , 500VDC	
Dielectric Strength		
Between coil and Contacts	2000VAC,1minute	
Between open contacts	750VAC,1minute	
Surge Voltage between	4000V	
Contacts and coil		
Operate time (at nomi. Vot.)	6ms	
Release time (at nomi. Vot.)	3ms	
Humidity	98%RH, +40°C	
Ambient temperature	-55 to +90°C -55 to +125°C	
Shock	Functional	100m/s <sup>2</sup>
Resistance	Destructive	1000m/s <sup>2</sup>
Vibration Resistance	1.5mm, 10 to 55Hz	
Termination	PCB	
Unit weight	Approx. 8g	
Construction	Sealed and Unsealed	

### TABLE

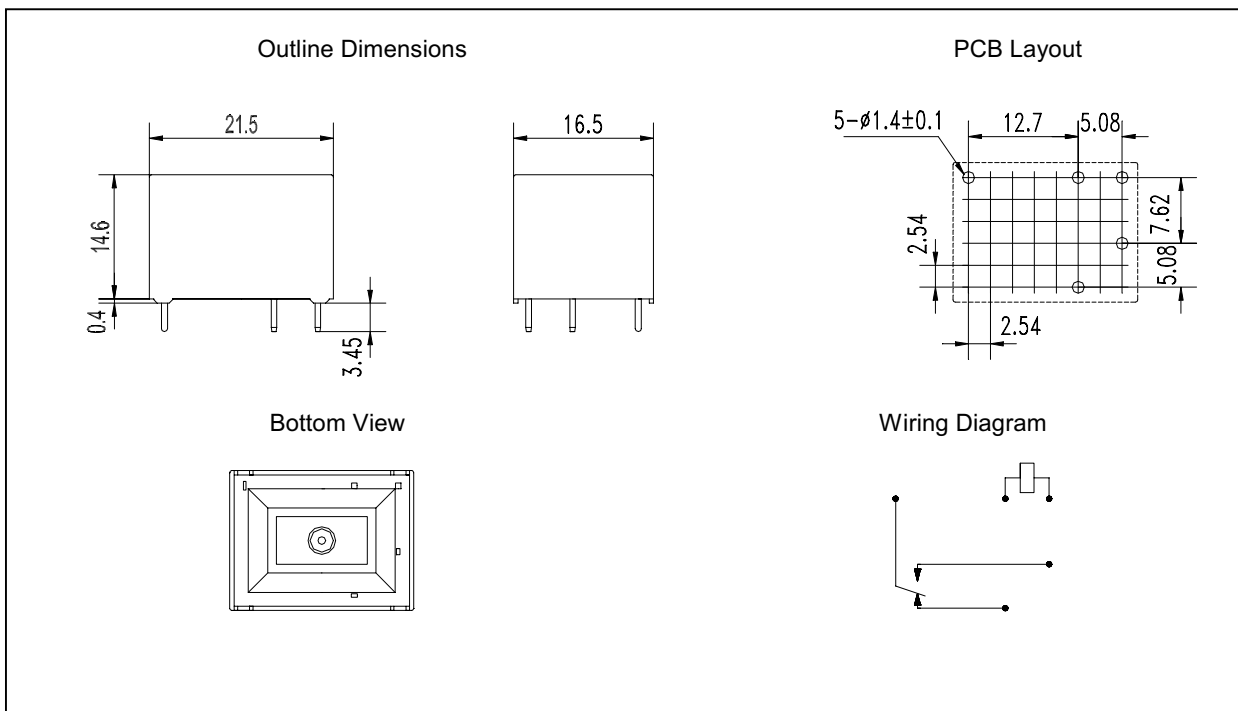
Nominal Voltage VDC	Pick-up Voltage VDC	Drop-out Voltage VDC	Max. allowable Voltage VDC ( at 20 °C )	Coil Resistance Tolerance: ±10% Ω
3	2.25	0.3	3.9	20
5	3.75	0.5	6.5	56
6	4.5	0.6	7.8	80
9	6.75	0.9	11.7	180
12	9.0	1.2	15.6	320
18	13.5	1.8	23.4	720
24	18.0	2.4	31.2	1280
48	36.0	4.8	62.4	3800

\* When require pick-up voltage<75% of nominal voltage, special order allowed.

■ ORDERING INFORMATION

HF8	—	<b>12</b>	—	<b>D</b>		<b>E</b>		<b>F</b>
Coil voltage		Coil Source		Classification of type		Insulation Standard		
3,5,6,9,12, 24,48VDC		D: DC		E: Sealed Nil: Unsealed		F: Class F Nil: Class B		

■ OUTLINE DIMENSIONS , WIRING DIAGRAM AND PC BOARD LAYOUT



■ USEFUL CURVES

